



US00D659770S

(12) **United States Design Patent**  
**Clark**

(10) **Patent No.:** **US D659,770 S**

(45) **Date of Patent:** **\*\* May 15, 2012**

(54) **TOY WAGON**

(76) Inventor: **Craig Clark**, Englewood, CO (US)

(\*\*) Term: **14 Years**

(21) Appl. No.: **29/391,036**

(22) Filed: **May 3, 2011**

(51) **LOC (9) Cl.** ..... **21-01**

(52) **U.S. Cl.** ..... **D21/425**

(58) **Field of Classification Search** ..... D21/419,  
D21/424–246, 534–536, 540; D12/17, 19,  
D12/20, 102, 105, 129, 133; D34/12; 280/87.01,  
280/87.021, 87.043, 47.17, 47.25, 47.26,  
280/47.34, 47.38, 47.4, 204, 639, 651; D3/371.12;  
D6/336; D15/28

See application file for complete search history.

(56) **References Cited**

**U.S. PATENT DOCUMENTS**

650,895	A	*	6/1900	Faherty	.....	446/29
D136,835	S	*	12/1943	Kenney	.....	D21/536
D153,765	S	*	5/1949	Chroninger	.....	D21/425
D153,953	S	*	5/1949	Lane	.....	280/87.01
D160,792	S	*	11/1950	La Fever, Jr.	.....	D21/425
4,417,765	A	*	11/1983	Wirsbinski	.....	280/47.26
D285,322	S	*	8/1986	Appel	.....	D21/425
D309,968	S	*	8/1990	Parshall	.....	D34/24
D315,757	S	*	3/1991	Klitsner	.....	D21/536
D326,288	S	*	5/1992	Arnott et al.	.....	D21/425
D327,101	S	*	6/1992	Halter et al.	.....	D21/425
D332,639	S	*	1/1993	Argandona et al.	.....	D21/425
D341,460	S	*	11/1993	Parshall et al.	.....	D12/129
D345,768	S	*	4/1994	Bro et al.	.....	D21/425
D369,629	S	*	5/1996	Pasin et al.	.....	D21/425

D373,748	S	*	9/1996	Fuller et al.	.....	D12/105
D389,535	S	*	1/1998	Schulz	.....	D21/540
D401,407	S	*	11/1998	Bro et al.	.....	D3/271.12
D403,026	S	*	12/1998	Pasin	.....	D21/425
D416,590	S	*	11/1999	Petersen et al.	.....	D21/425
D426,793	S	*	6/2000	Lundh	.....	D12/133
D428,367	S	*	7/2000	Lundh	.....	D12/133
D455,463	S	*	4/2002	Martin et al.	.....	D21/425
D466,953	S	*	12/2002	Ortiz	.....	D21/425
D547,392	S	*	7/2007	Johnson et al.	.....	D21/425
D562,412	S	*	2/2008	Tremblay et al.	.....	D21/536
D564,038	S	*	3/2008	Johnson et al.	.....	D21/425
D564,039	S	*	3/2008	Rodriguez et al.	.....	D21/425
D606,565	S	*	12/2009	Hickenbottom	.....	D15/28
D609,756	S	*	2/2010	Badanjo	.....	D21/419

\* cited by examiner

*Primary Examiner* — Cynthia M Chin

(74) *Attorney, Agent, or Firm* — Furr Law Firm; Jeffery Furr, Esq.

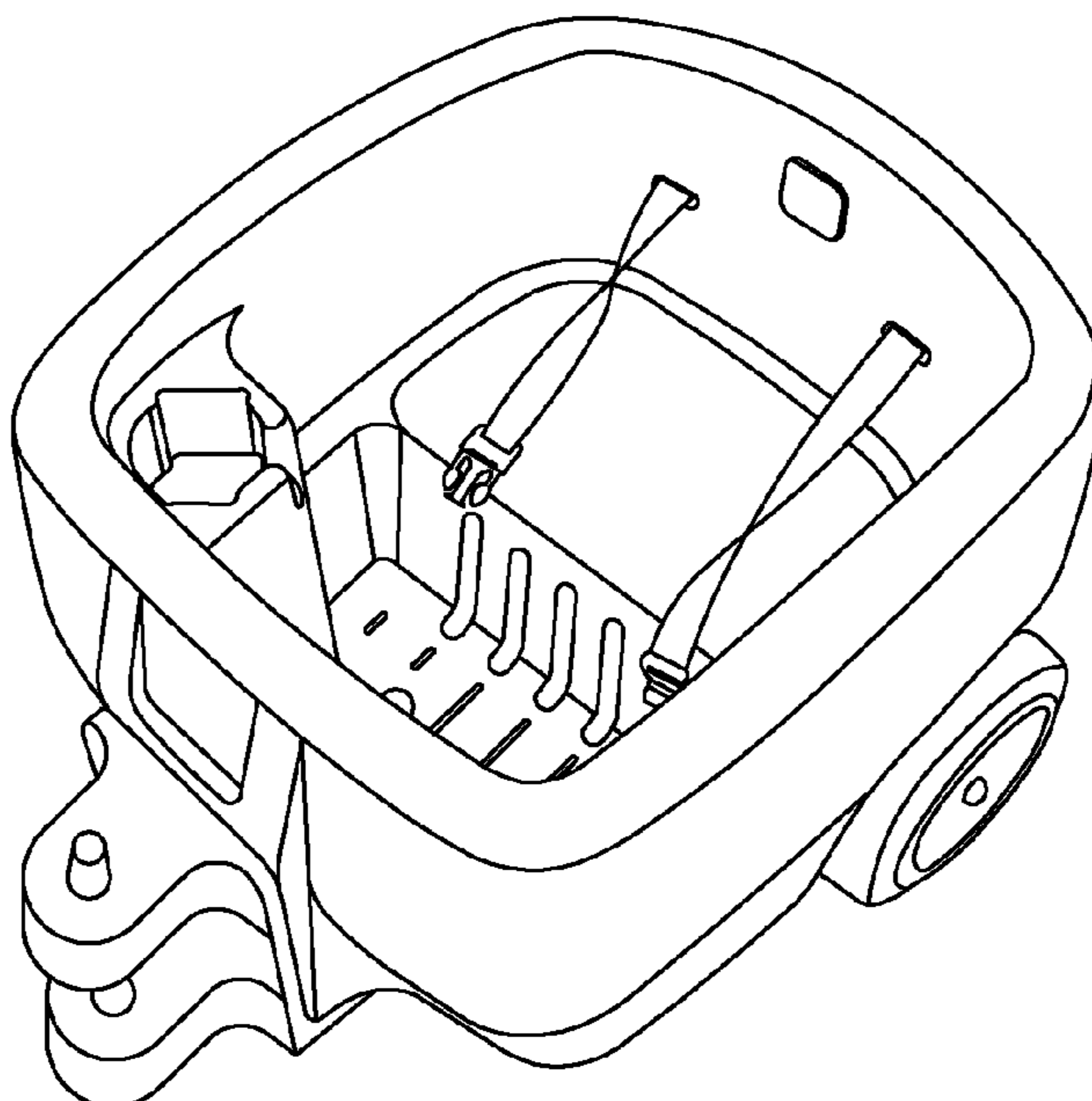
(57) **CLAIM**

The ornamental design for a toy wagon, as shown and described.

**DESCRIPTION**

FIG. 1 is a top view of the toy wagon showing my new design; FIG. 2 is a bottom view thereof; FIG. 3 is a back view thereof; FIG. 4 is a front view thereof; FIG. 5 is a right side view thereof; FIG. 6 is a left side view thereof; and, FIG. 7 is a front perspective view thereof. Portions of the articles in broken lines form no part of the claimed design.

**1 Claim, 7 Drawing Sheets**



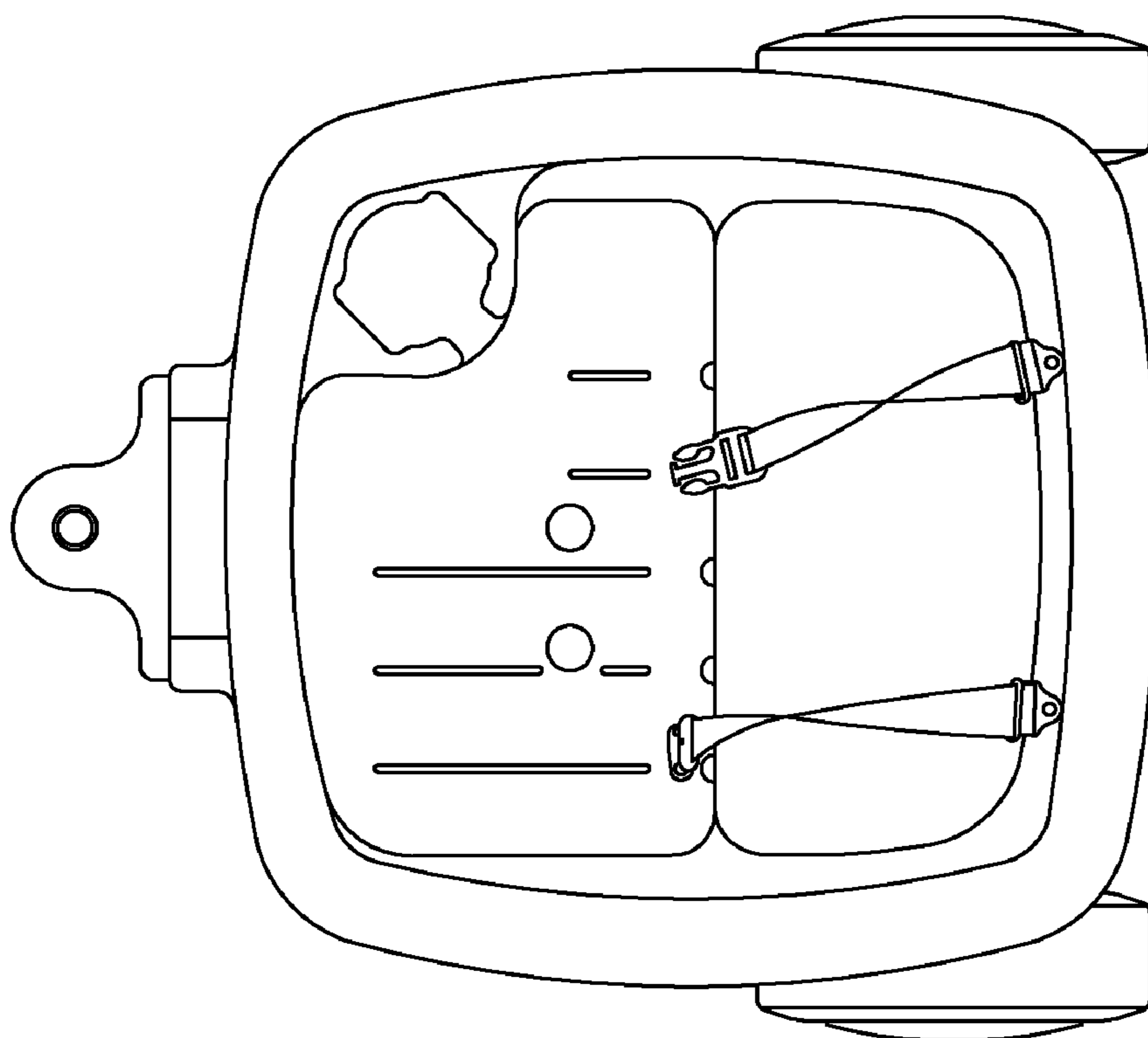


Fig. 1

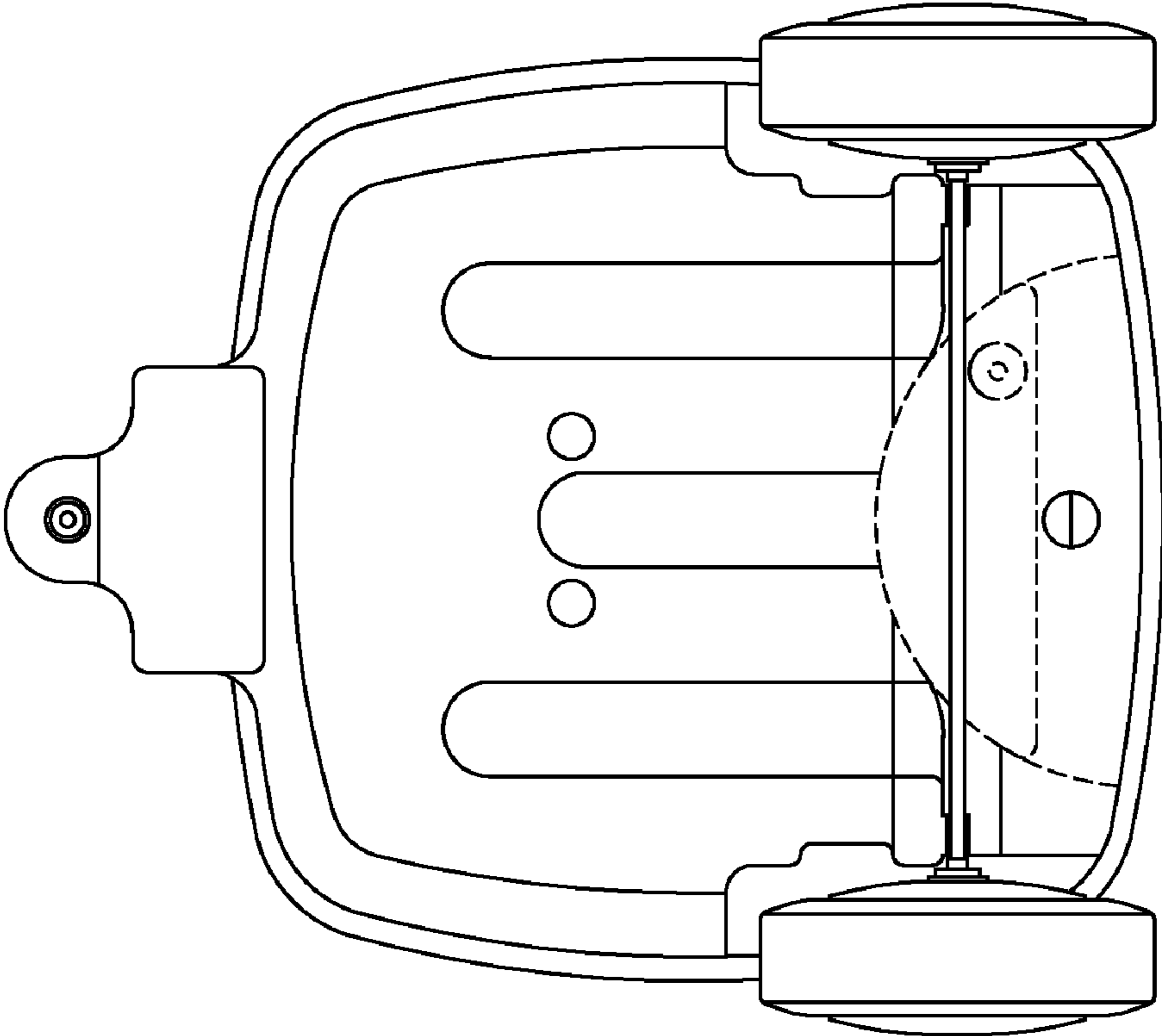


Fig. 2

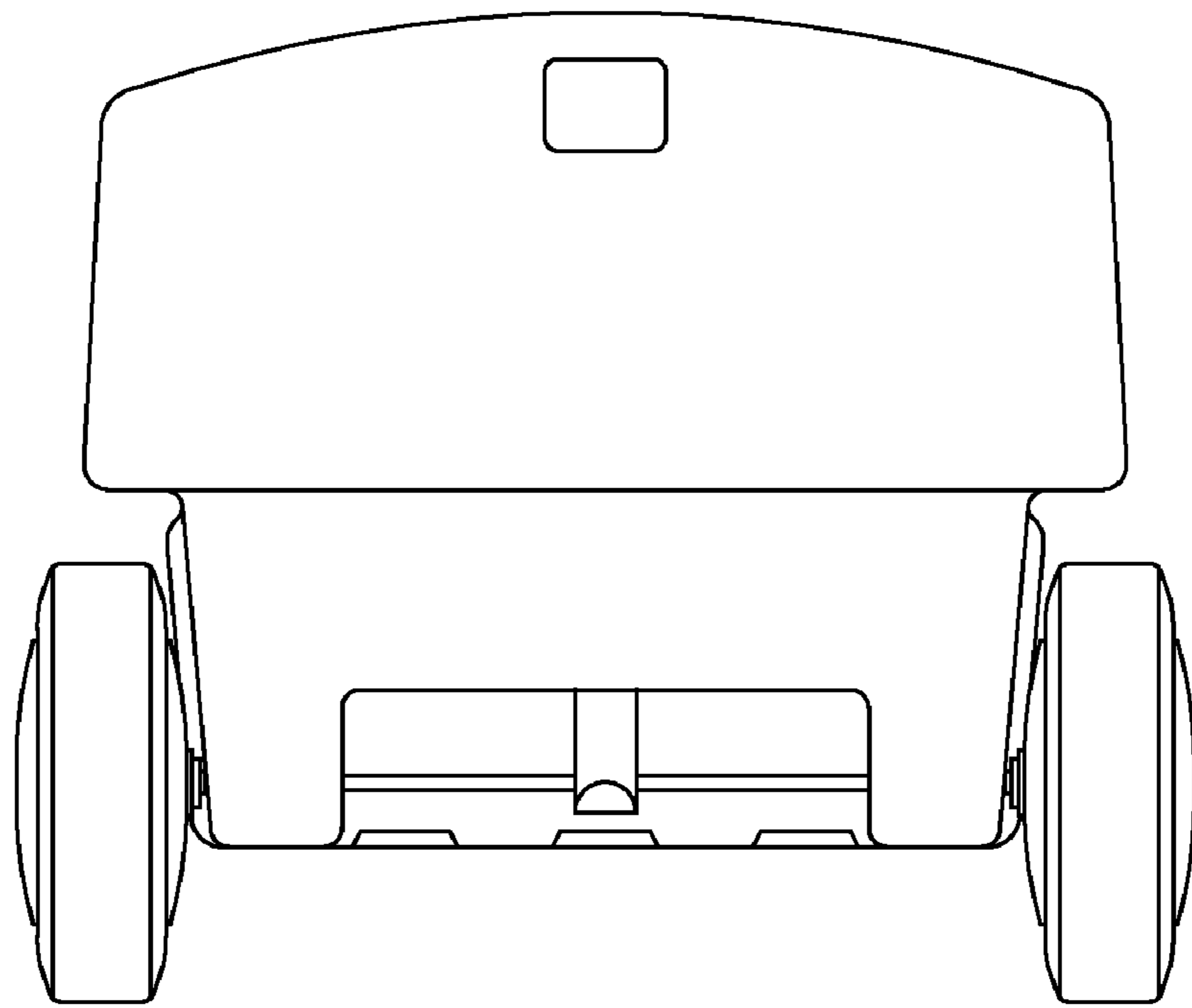


Fig. 3

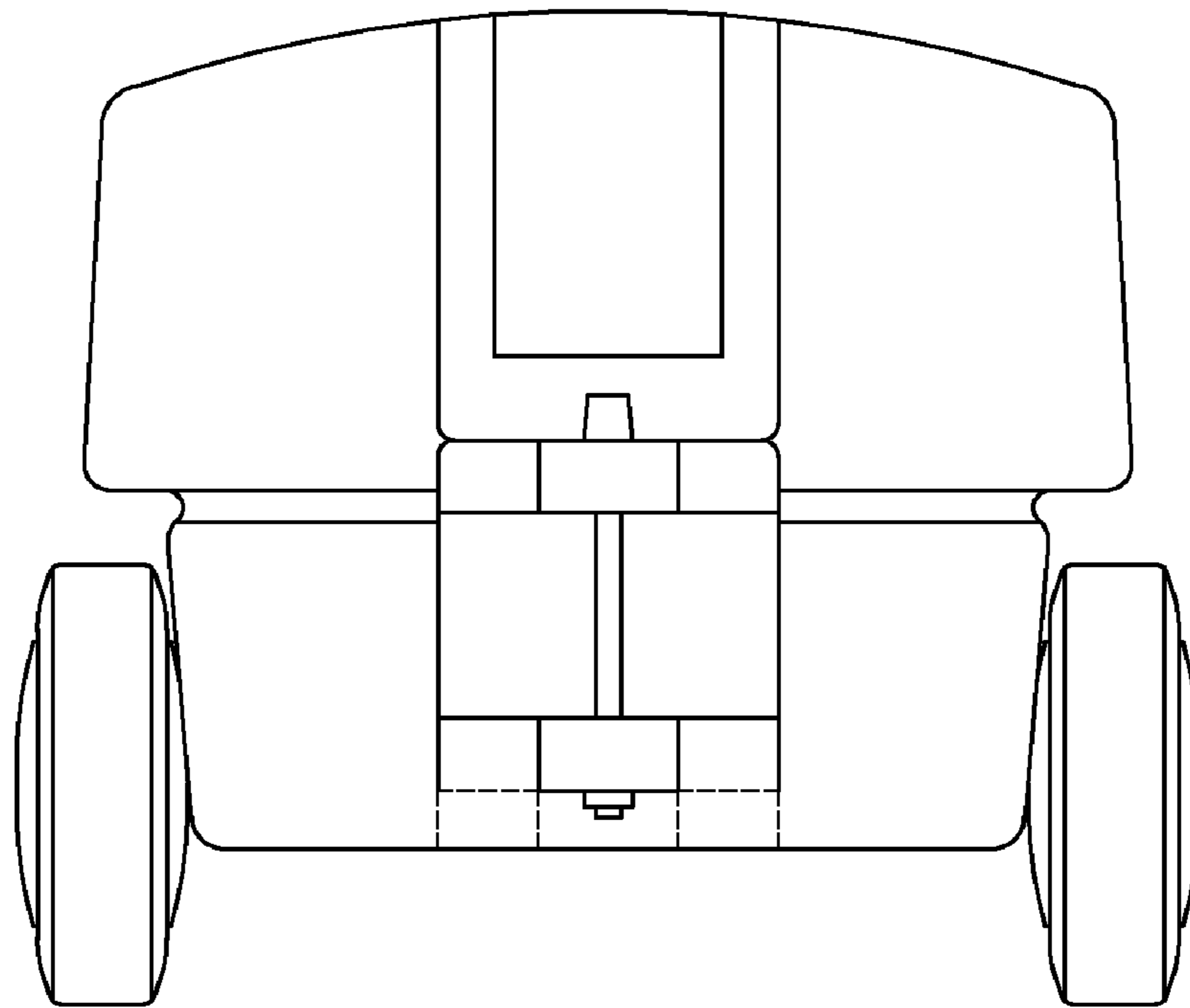


Fig. 4

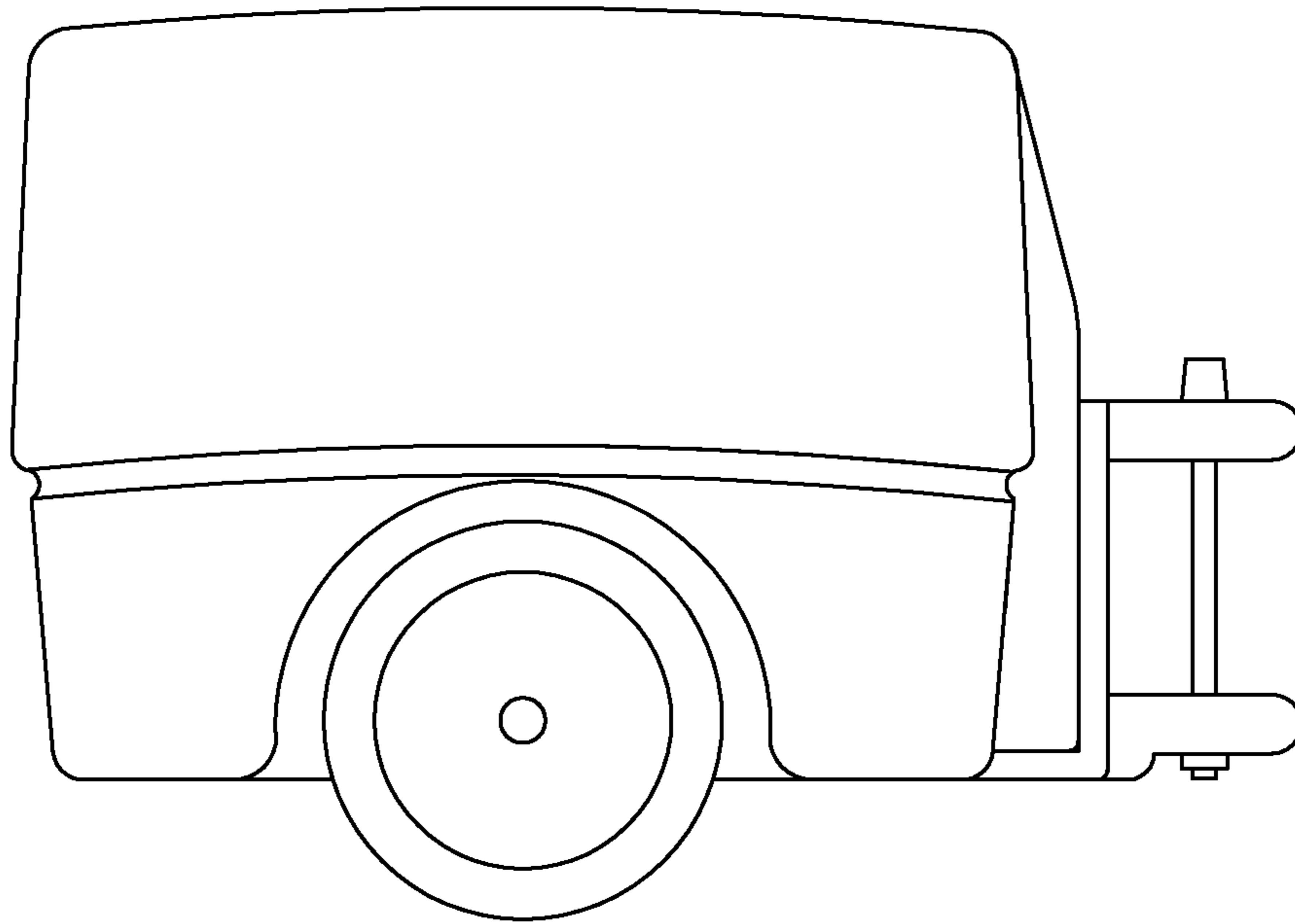


Fig. 5

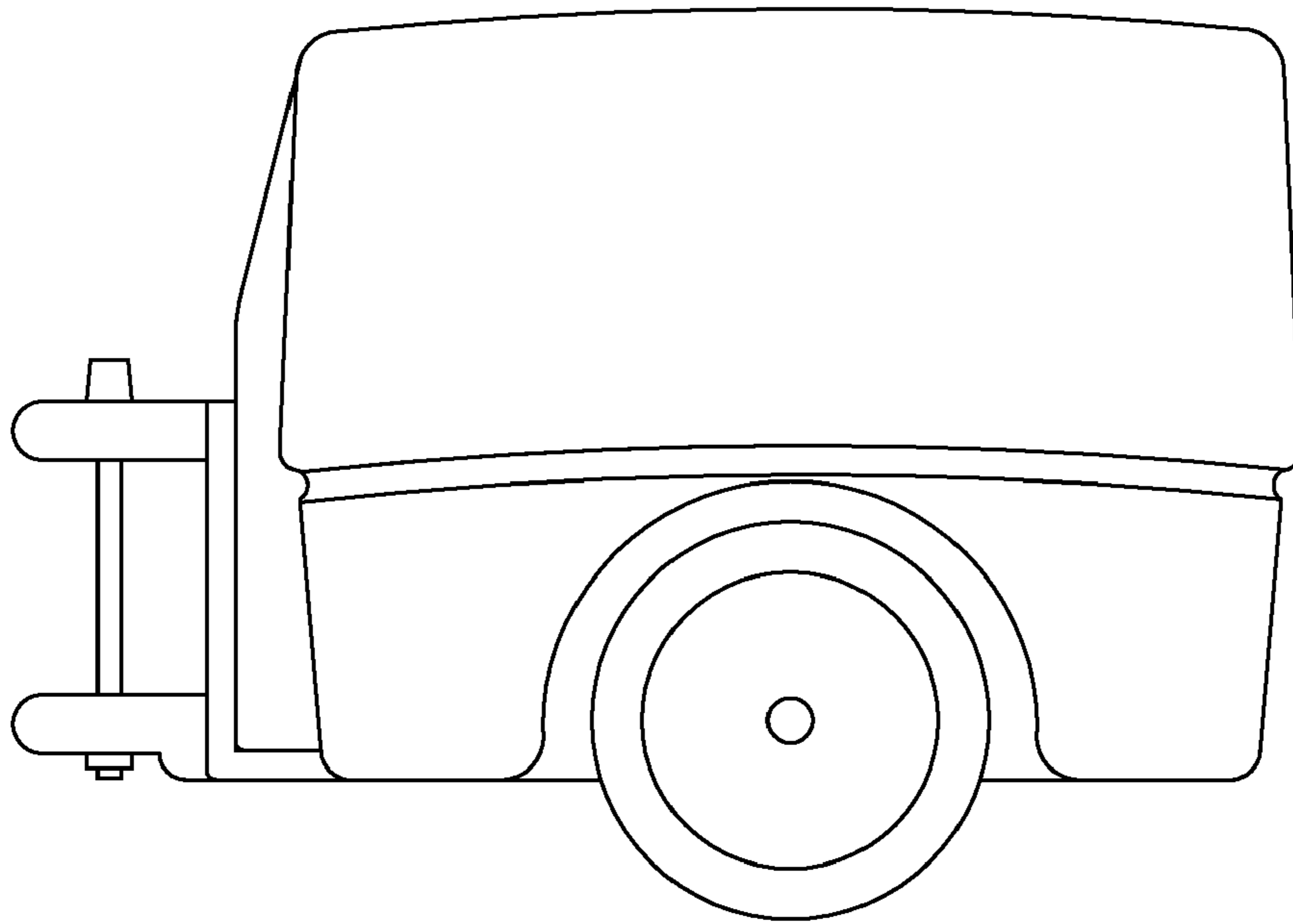


Fig. 6

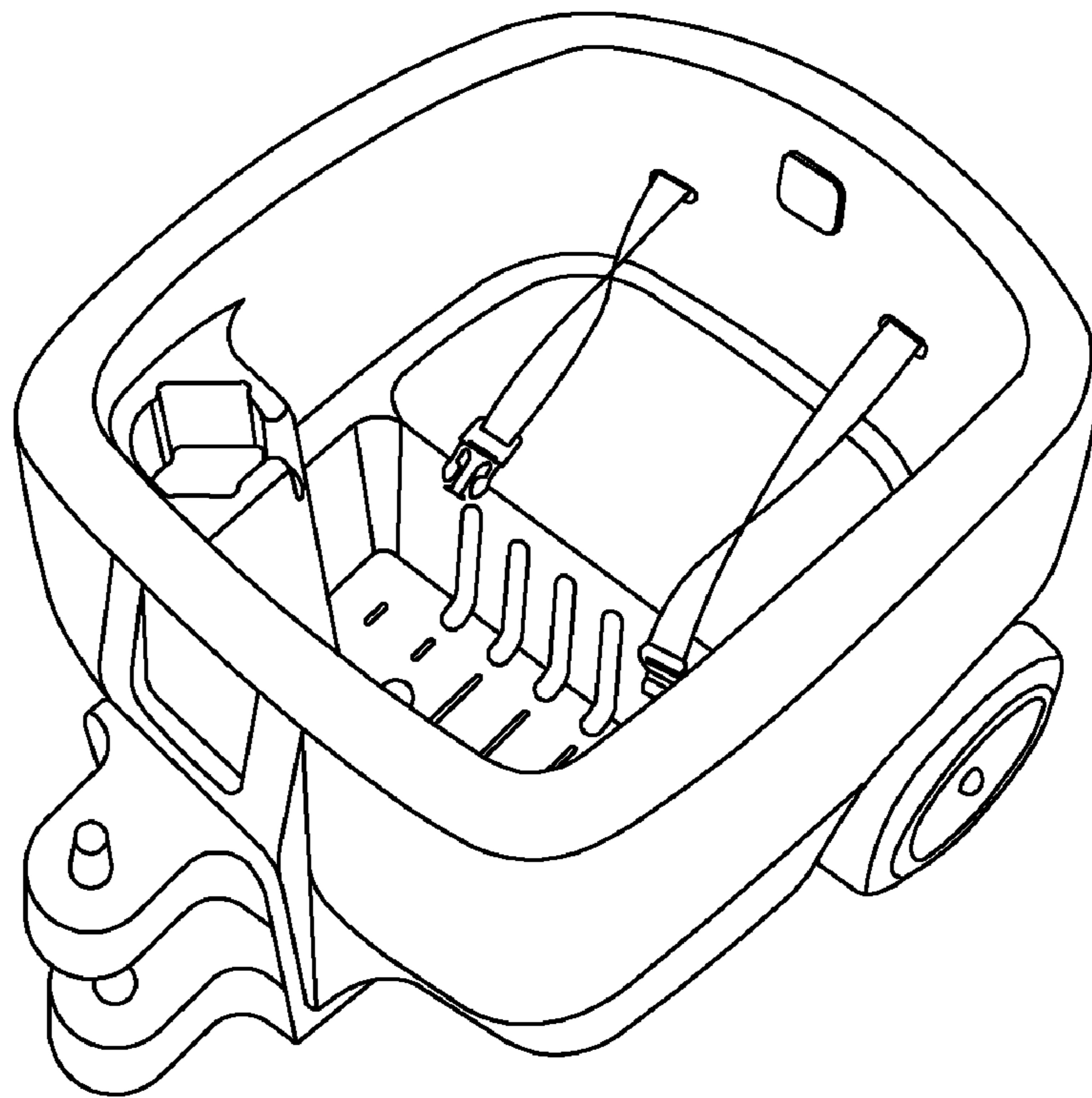


Fig. 7