



US00D659768S

(12) **United States Design Patent**
Granat

(10) **Patent No.:** **US D659,768 S**

(45) **Date of Patent:** **** May 15, 2012**

(54) **TOY**

(76) **Inventor:** **Alan J. Granat**, Washougal, WA (US)

(**) **Term:** **14 Years**

(21) **Appl. No.:** **29/394,448**

(22) **Filed:** **Jun. 16, 2011**

(51) **LOC (9) Cl.** **21-01**

(52) **U.S. Cl.** **D21/398; D21/455**

(58) **Field of Classification Search** D21/398,
D21/399, 412, 414, 436, 449, 450, 455-464,
D21/533, 561-563, 585, 592, 593; 446/230-266,
446/269-294, 431, 437, 448-453, 465-471,
446/487

See application file for complete search history.

(56) **References Cited**

U.S. PATENT DOCUMENTS

1,142,214	A *	6/1915	Williams	446/237
1,168,269	A *	1/1916	Allen	446/237
1,253,449	A *	1/1918	Wilson	446/238
1,371,834	A *	3/1921	Adamski	446/237
1,695,333	A *	12/1928	Hill	446/270
1,710,461	A *	4/1929	Saname	446/238
D96,139	S *	7/1935	Schmidt	D21/455
D138,018	S *	6/1944	Gold	D21/455
D141,104	S *	5/1945	Coble	D21/455
D141,105	S *	5/1945	Coble	D21/455
D146,332	S *	2/1947	Armbruster	D21/455

D180,513	S *	6/1957	Ford	D21/455
2,879,625	A *	3/1959	Bolger	446/280
4,290,225	A *	9/1981	MacCarthy	446/250
D268,604	S *	4/1983	Chase et al.	D21/455
D284,879	S *	7/1986	Sengstacken	D21/398
D294,278	S *	2/1988	Ukisu	D21/560
D525,317	S *	7/2006	Grubisic et al.	D21/398

* cited by examiner

Primary Examiner — Catherine Tuttle

(74) *Attorney, Agent, or Firm* — Marger Johnson & McCollom, P.C.

(57) **CLAIM**

The ornamental design for a toy, as shown and described.

DESCRIPTION

FIG. 1 is a top front and side perspective view of the toy showing my new design;

FIG. 2 is a bottom front and side perspective view thereof;

FIG. 3 is a top plan view thereof;

FIG. 4 is a front elevational view thereof;

FIG. 5 is a bottom plan view thereof;

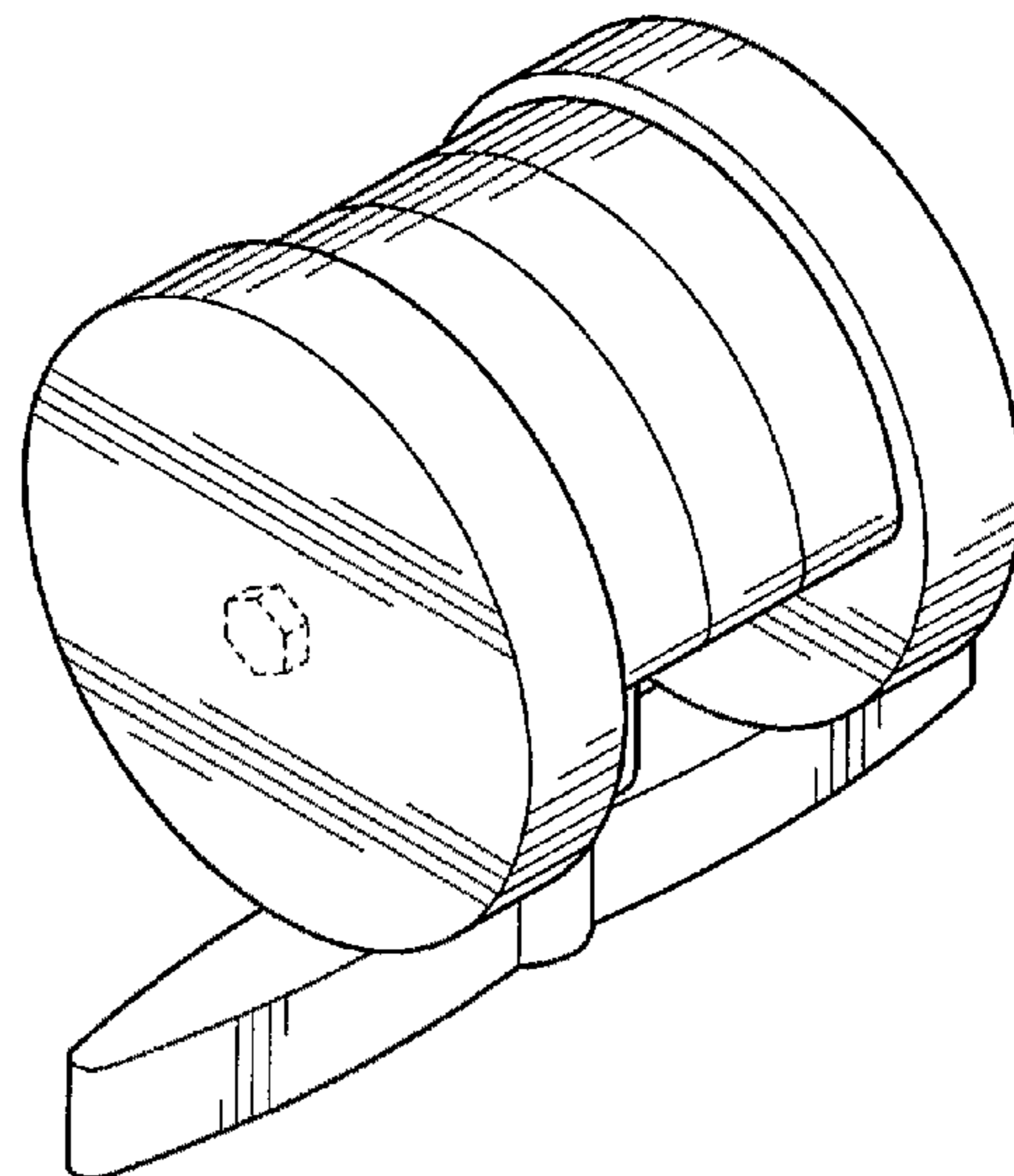
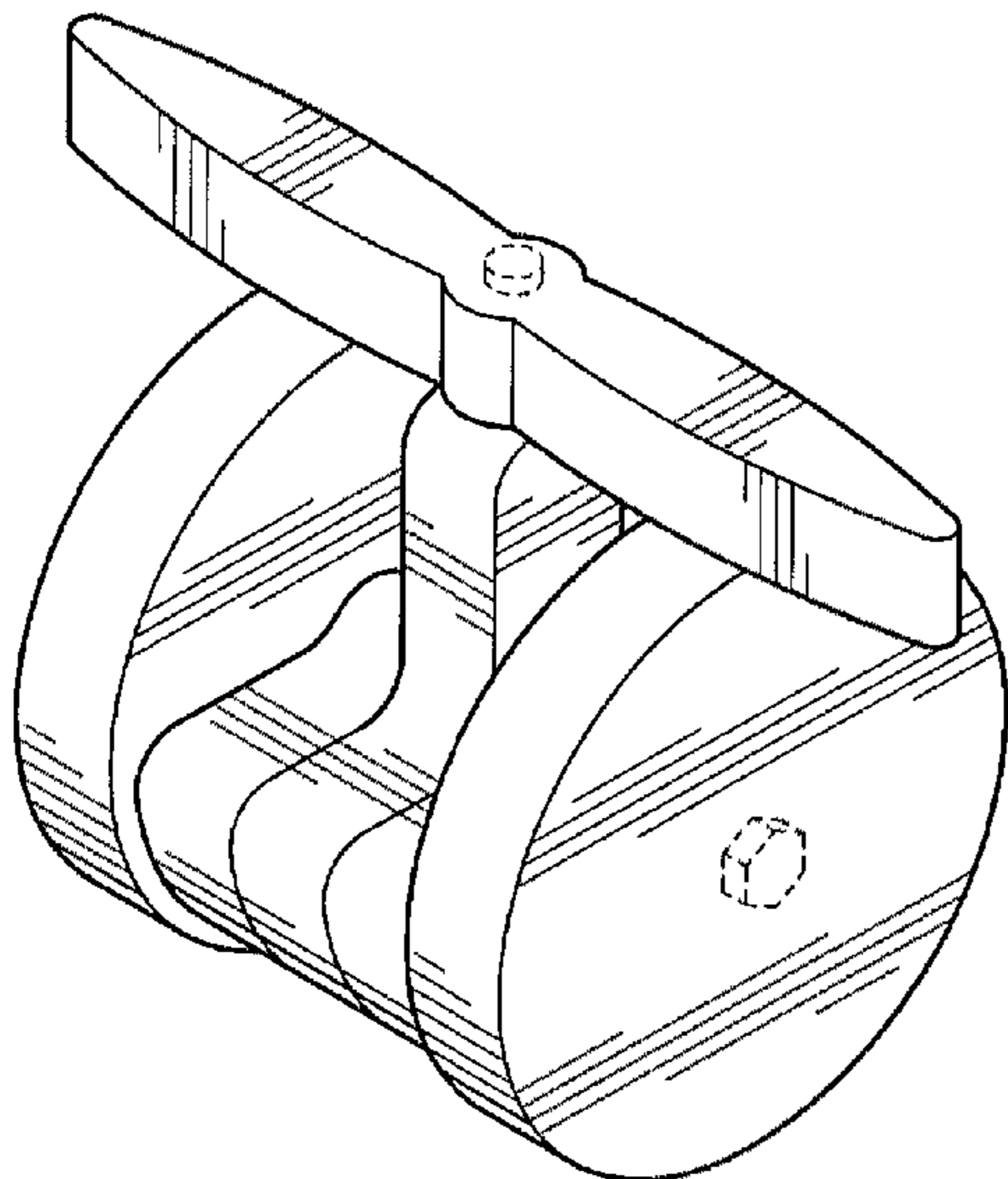
FIG. 6 is a side elevational view thereof;

FIG. 7 is a top plan view showing the top portion in an alternate rotated position; and,

FIG. 8 is a top plan view showing the top portion in another alternate rotated position.

The broken lines are included for the purpose of illustrating portions of the toy that form no part of the claimed design.

1 Claim, 3 Drawing Sheets



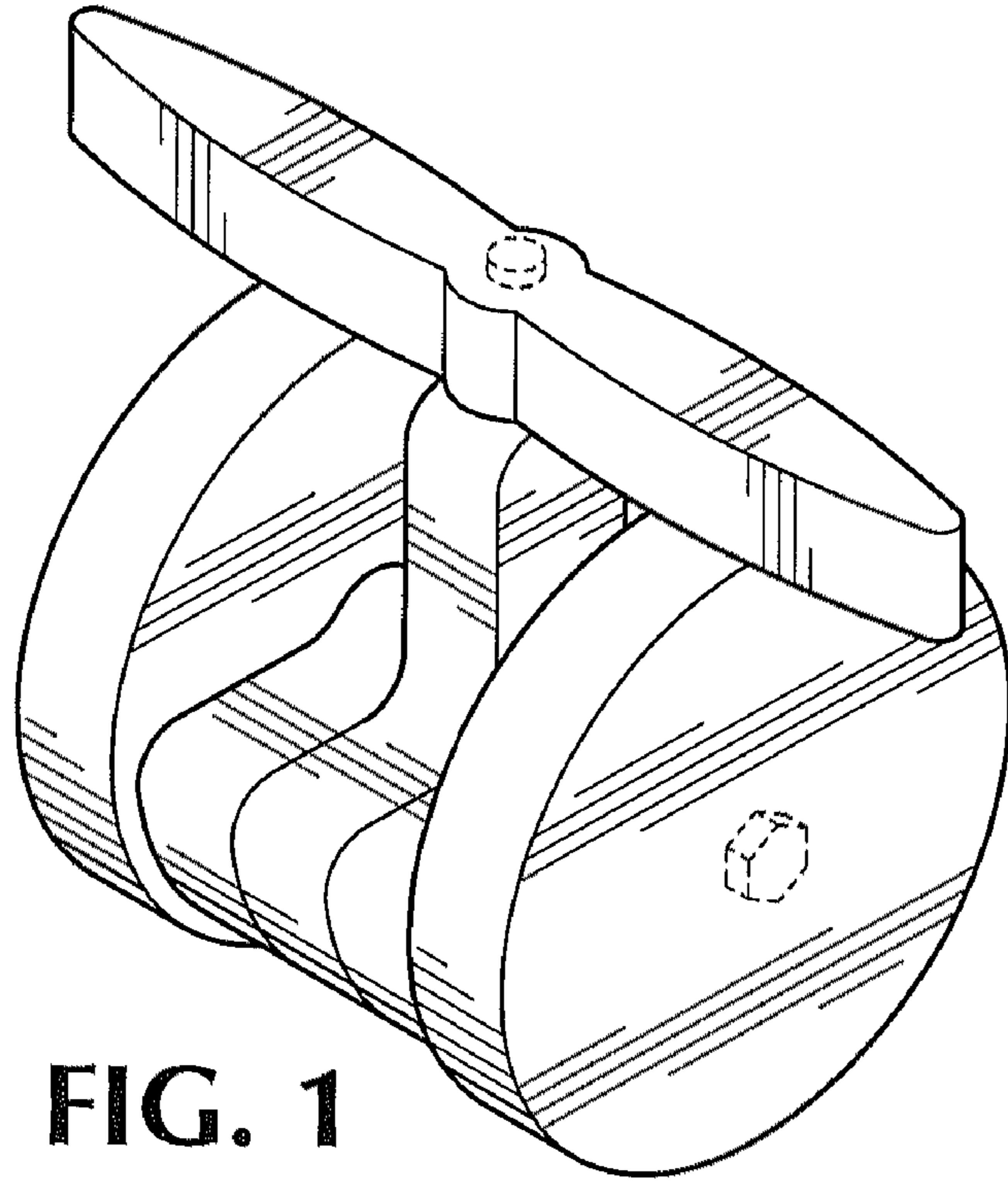


FIG. 1

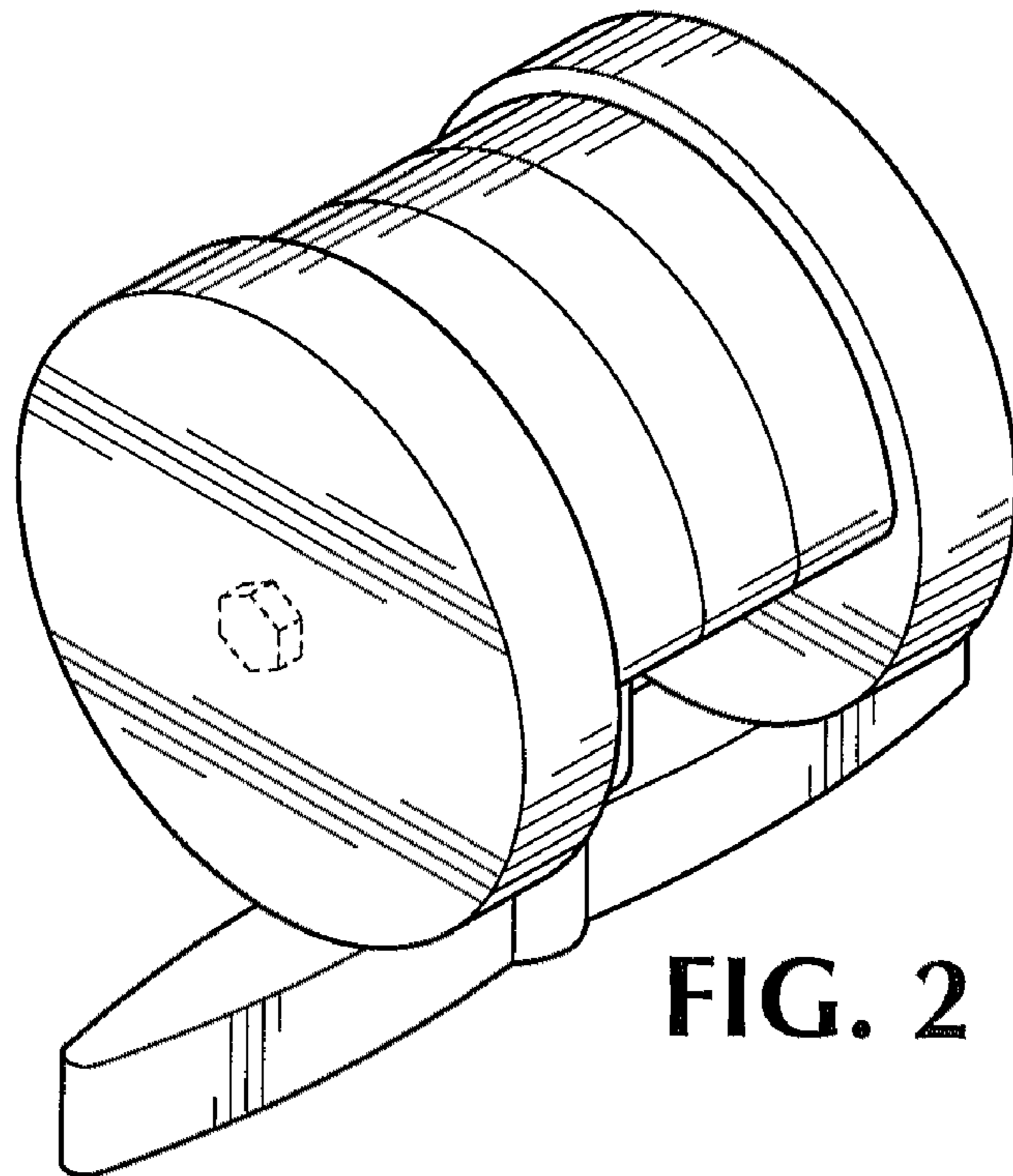


FIG. 2

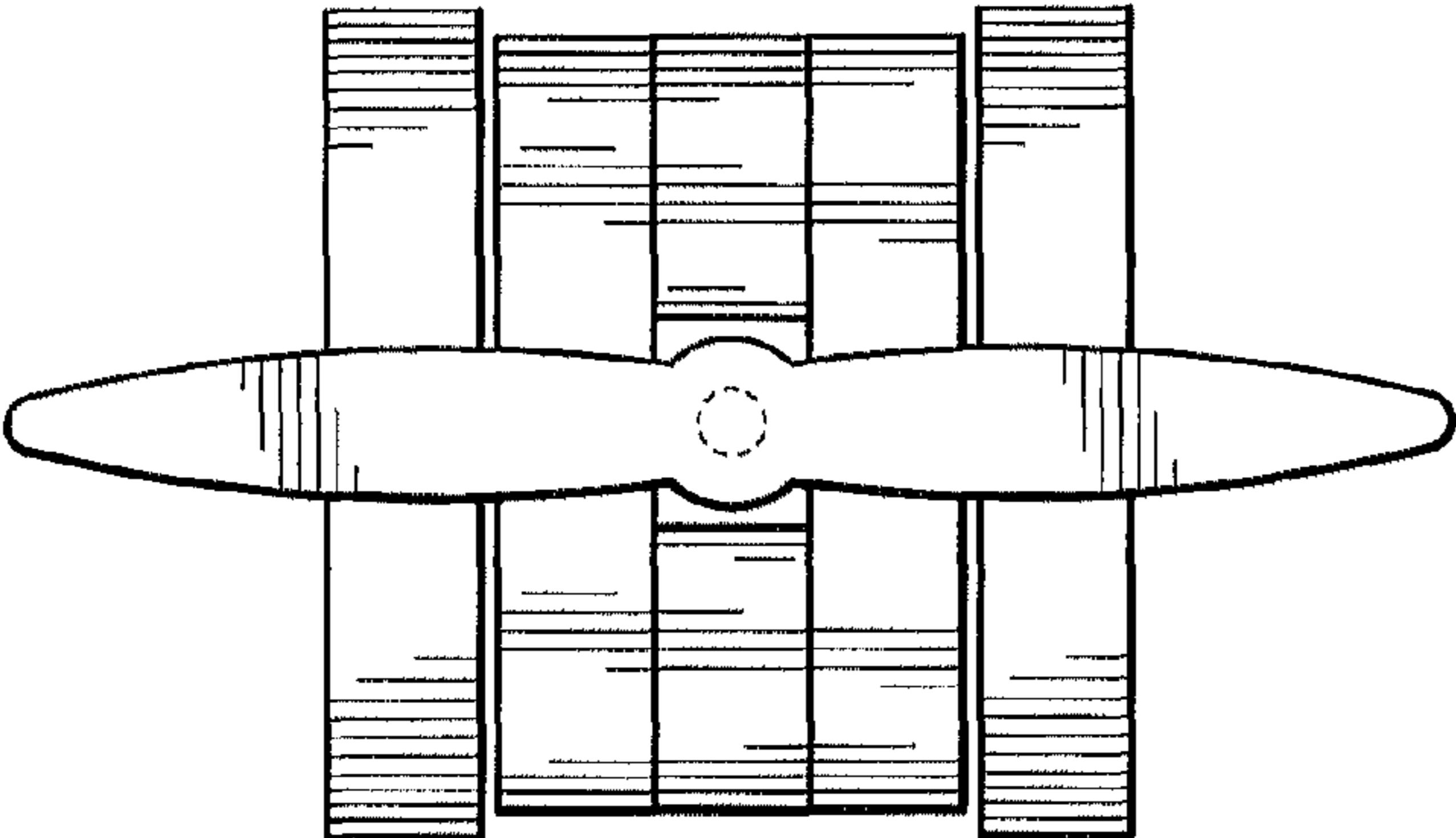


FIG. 3

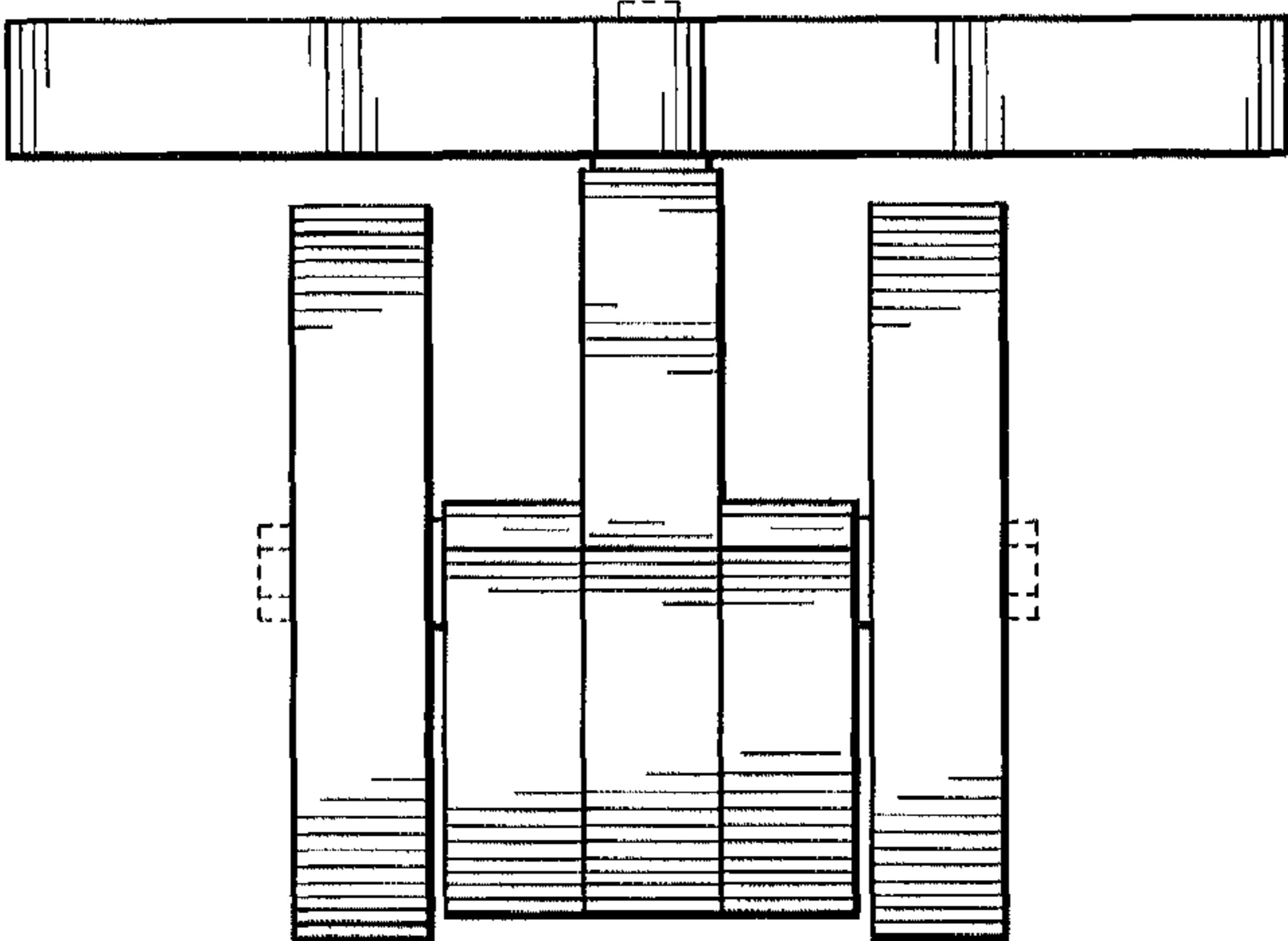


FIG. 4

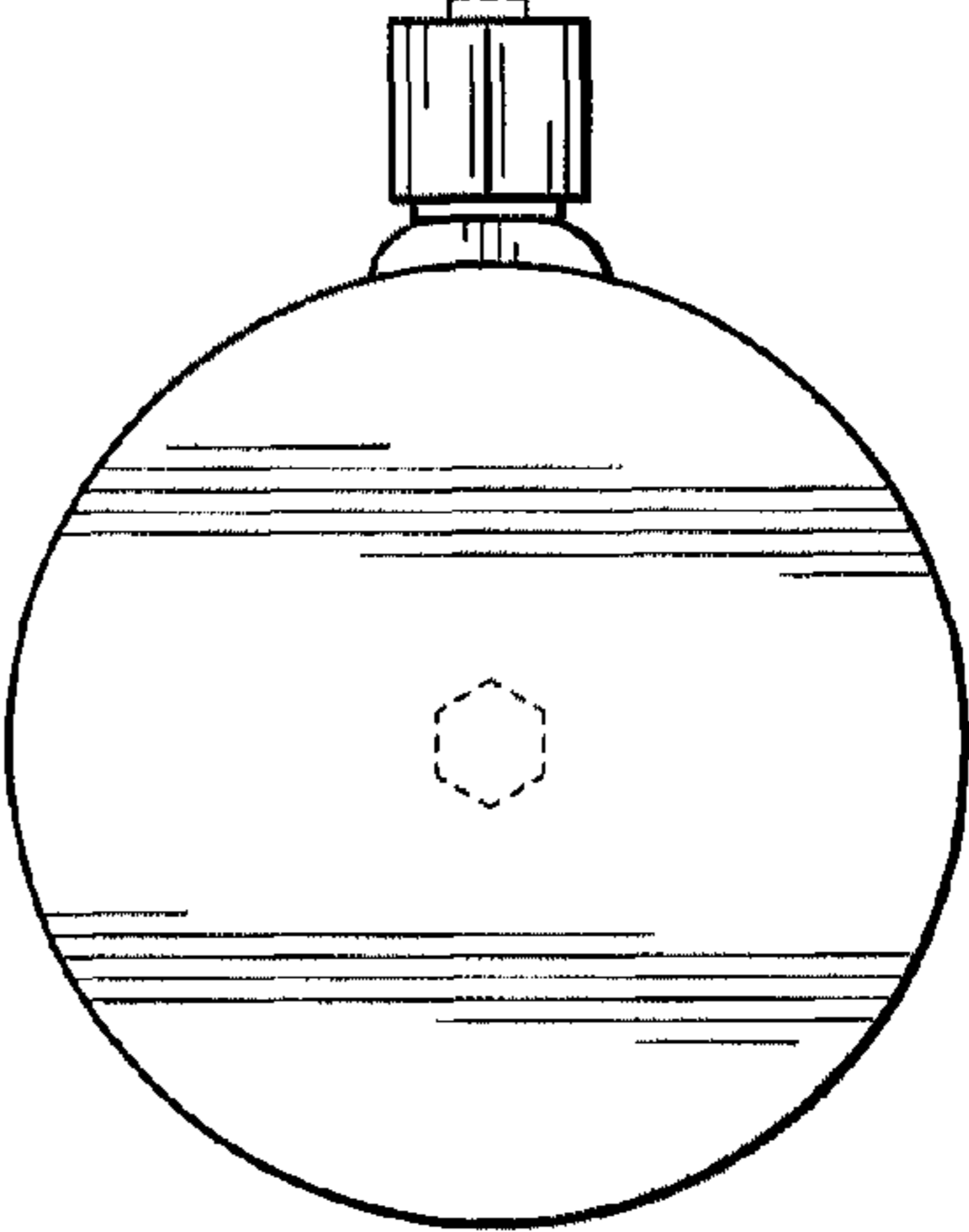


FIG. 6

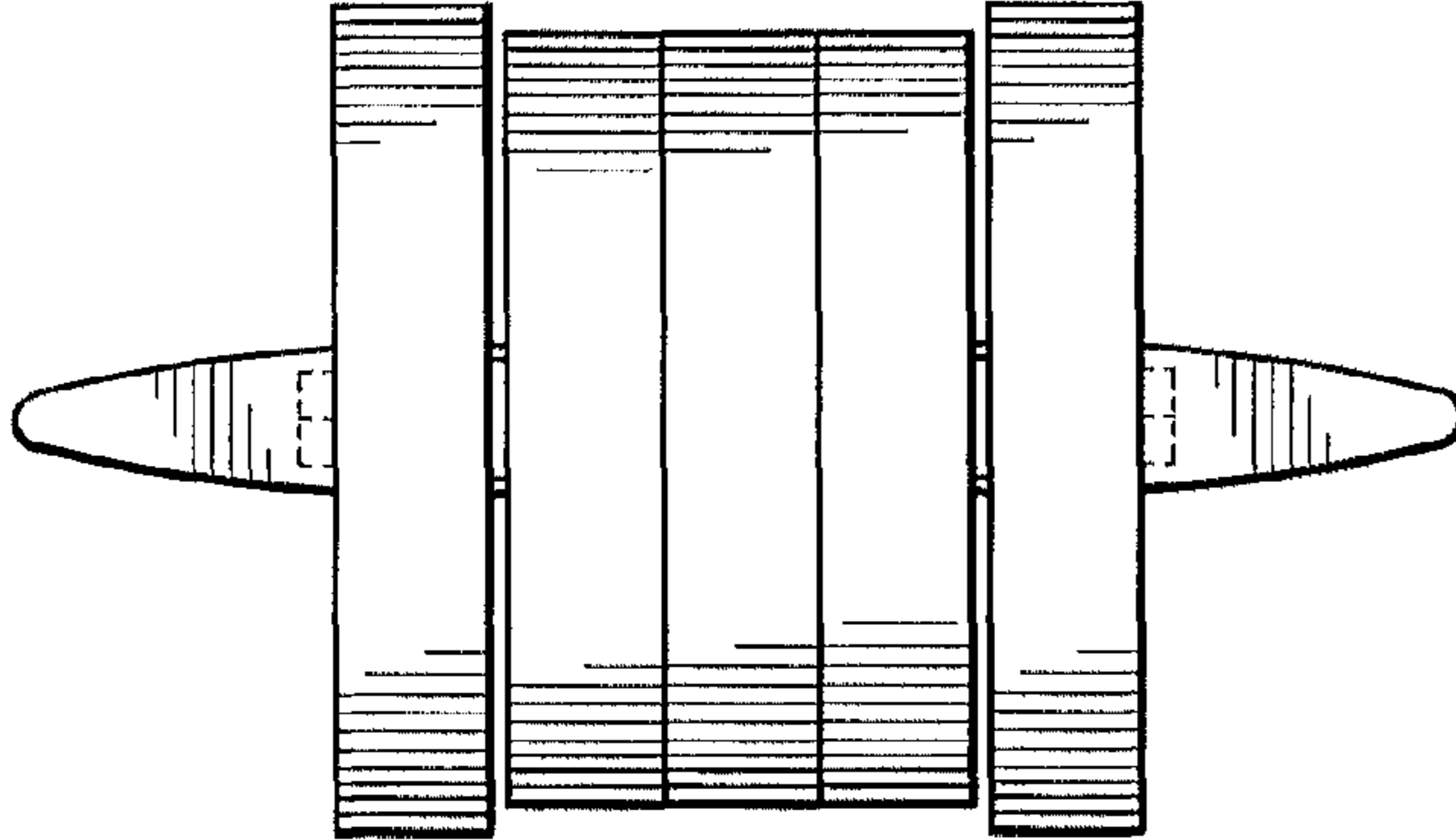


FIG. 5

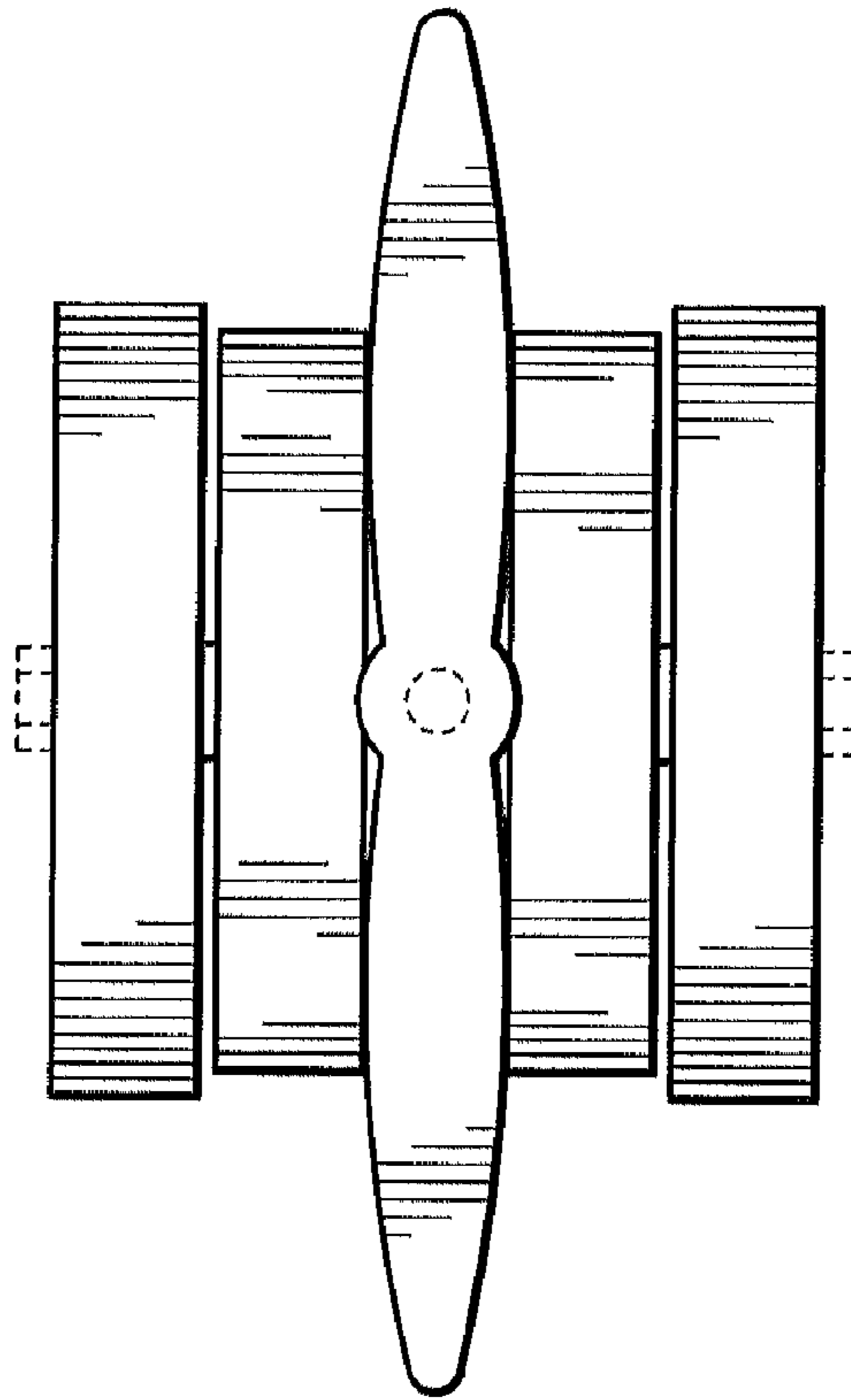


FIG. 7

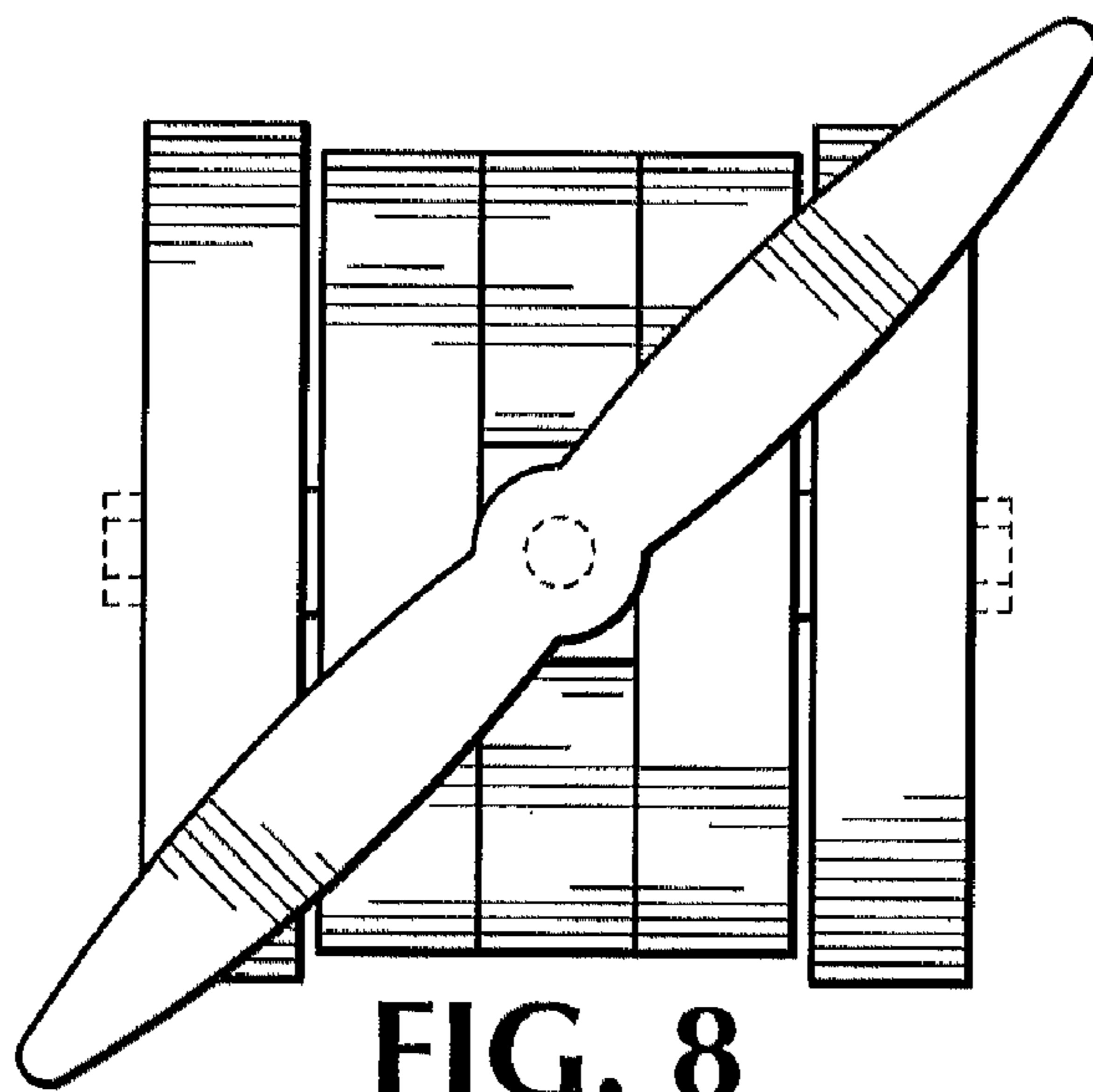


FIG. 8