



US00D659767S

(12) **United States Design Patent**
Ng

(10) **Patent No.:** **US D659,767 S**
(45) **Date of Patent:** **** May 15, 2012**

- (54) **MAH JONG RACK WITH PUSHER ARM**
- (75) Inventor: **Kai Man William Ng**, Fox Lake, IL (US)
- (73) Assignee: **Sunnywood, Inc.**, Spring Grove, IL (US)
- (**) Term: **14 Years**
- (21) Appl. No.: **29/375,298**
- (22) Filed: **Sep. 20, 2010**
- (51) **LOC (9) Cl.** **21-01**
- (52) **U.S. Cl.** **D21/385; D21/392**
- (58) **Field of Classification Search** D21/334-368, D21/385-386, 392, 396; 273/236-385, 148 R, 273/148 A, 150, 447
See application file for complete search history.

(56) **References Cited**

U.S. PATENT DOCUMENTS

1,479,350	A	1/1923	Wiel	
1,629,070	A *	5/1927	Cox	273/150
2,699,336	A *	1/1955	Keim	273/148 R
2,985,451	A *	5/1961	Sims	273/447
D338,922	S *	8/1993	Schreib	D21/392
5,642,883	A *	7/1997	Rioux	273/148 R

* cited by examiner

Primary Examiner — Sandra Morris

(74) *Attorney, Agent, or Firm* — Patents and Licensing LLC;
Daniel W. Juffernbruch

(57) **CLAIM**

The ornamental design for a mah jong rack with pusher arm, as shown and described.

DESCRIPTION

FIG. 1 is a front elevation view of a mah jong rack with pusher arm showing my new design with a pusher arm in a partially open position;
 FIG. 2 is a top plan view thereof with the pusher arm in a closed position;
 FIG. 3 a bottom plan view thereof with the pusher arm in a closed position;
 FIG. 4 is left side elevation view thereof with the pusher arm in a partially open position;
 FIG. 5 a right side elevation view thereof with the pusher arm in a partially open position with the pusher arm in a partially open position;
 FIG. 6 is a rear elevation view thereof with the pusher arm in a partially open position;
 FIG. 7 is a left front top perspective exploded view thereof; and,
 FIG. 8 is a left front top perspective view thereof with the pusher arm in a partially open position.
 The phantom line showing of the handle, feet, pivot, hardware, side features and rear plastic reinforcement portions of the mah jong rack with pusher arm shown in FIGS. 1-8 is for illustrative purposes only and forms no part of the claimed design.
 The shading or crosshatched patterns shown in the drawing is understood to represent surfaces and is repeated uniformly throughout the areas shown.

1 Claim, 3 Drawing Sheets

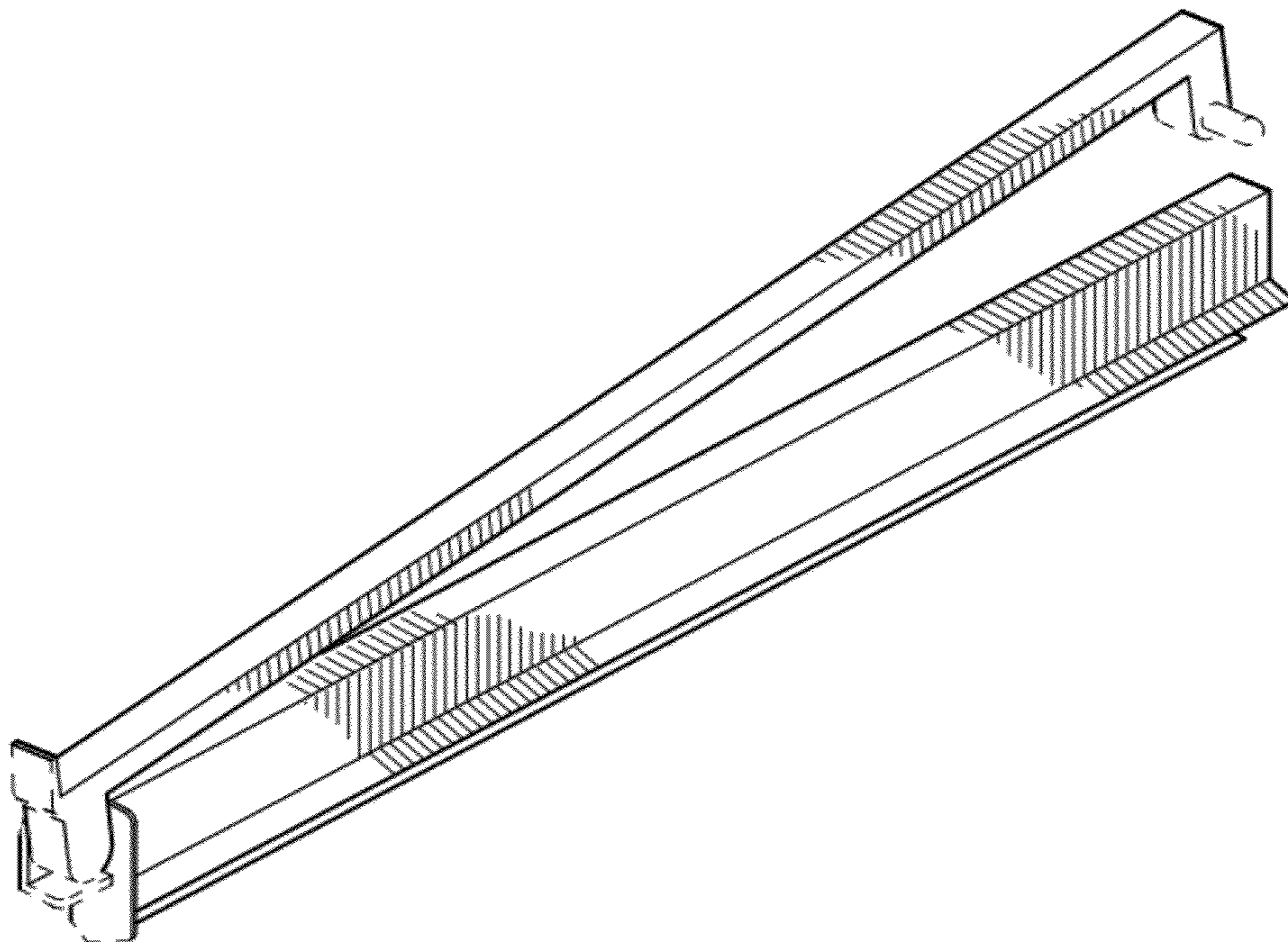




FIG. 2

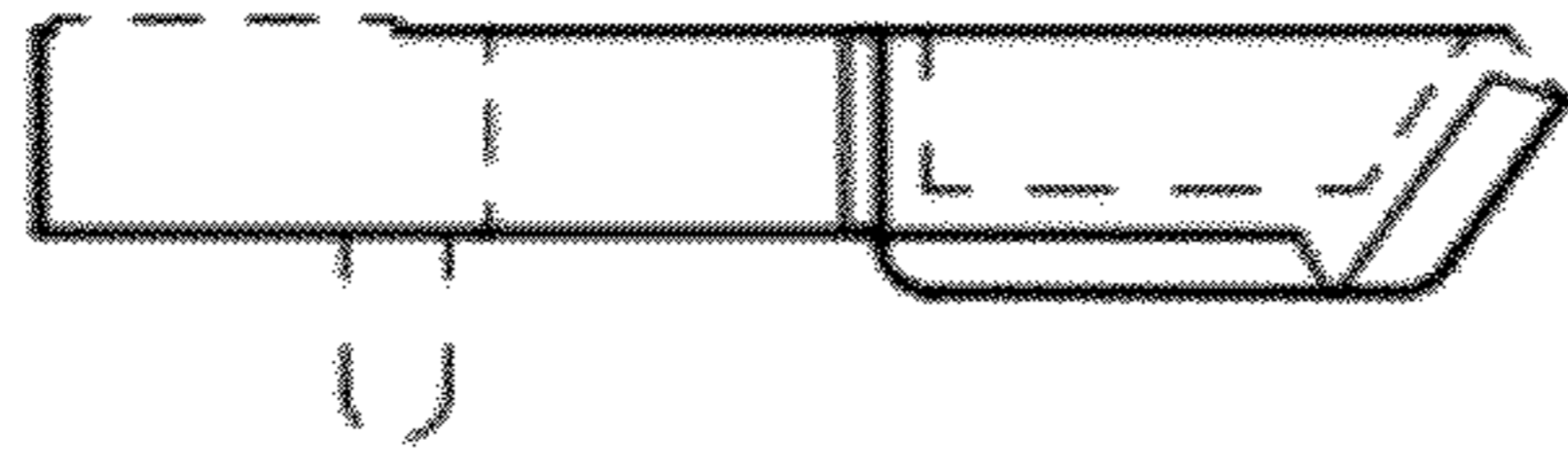


FIG. 5

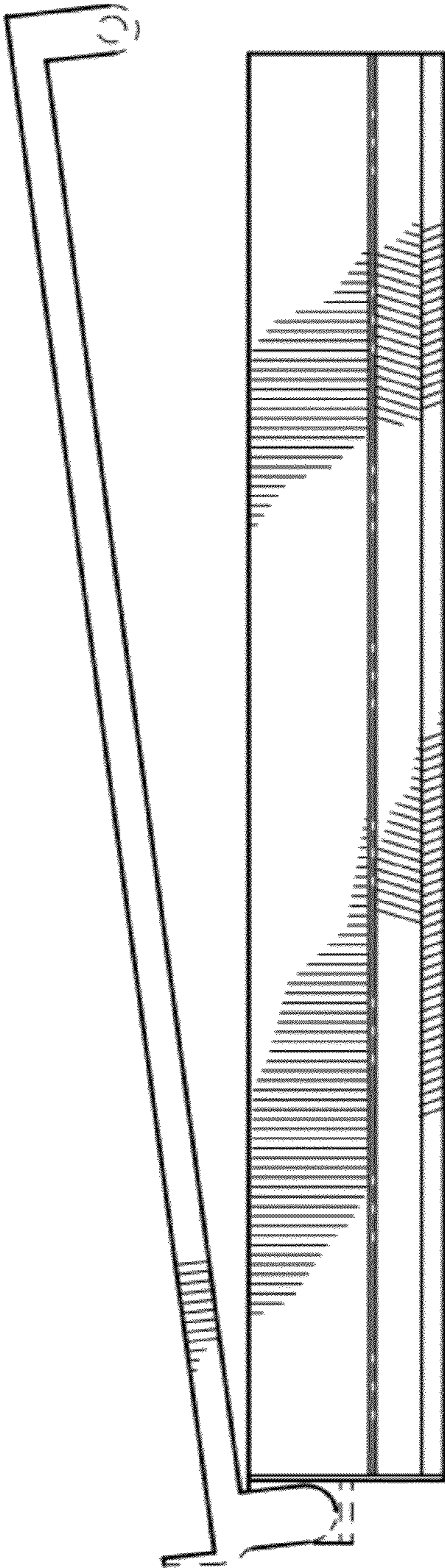


FIG. 1

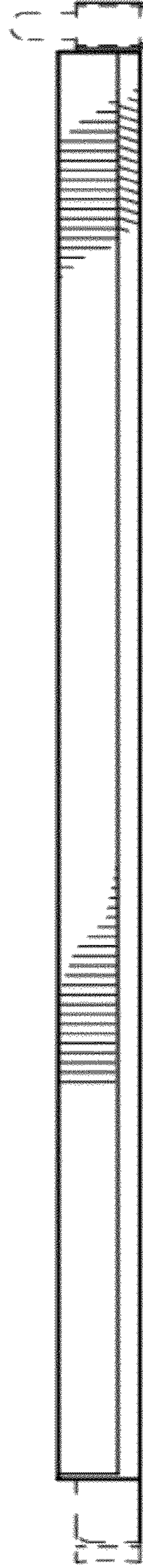


FIG. 3

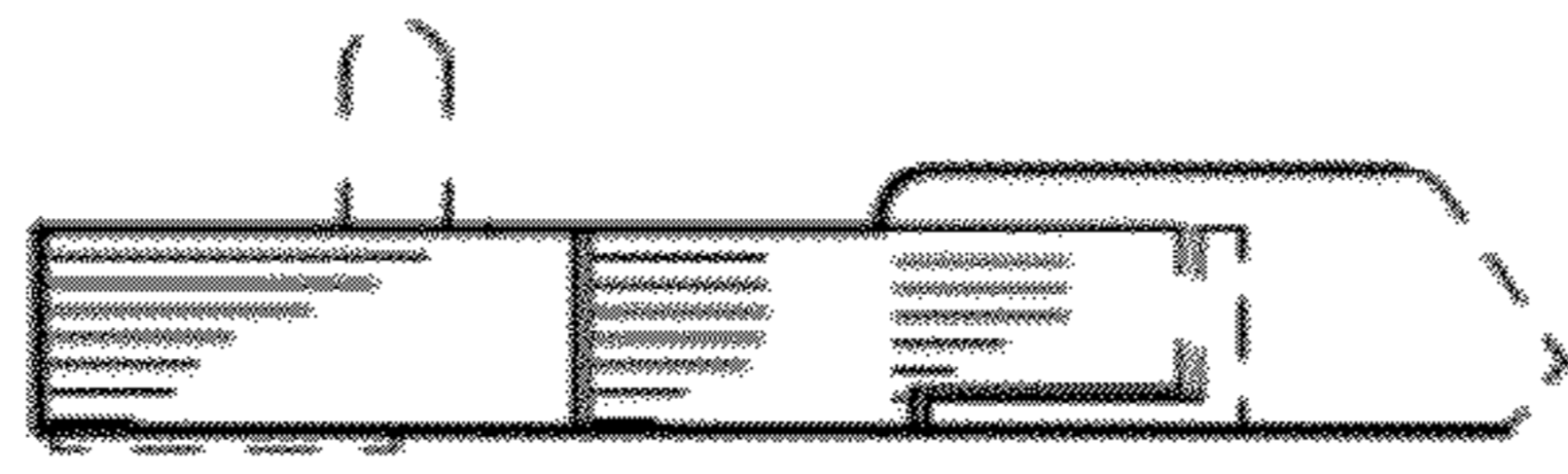


FIG. 4

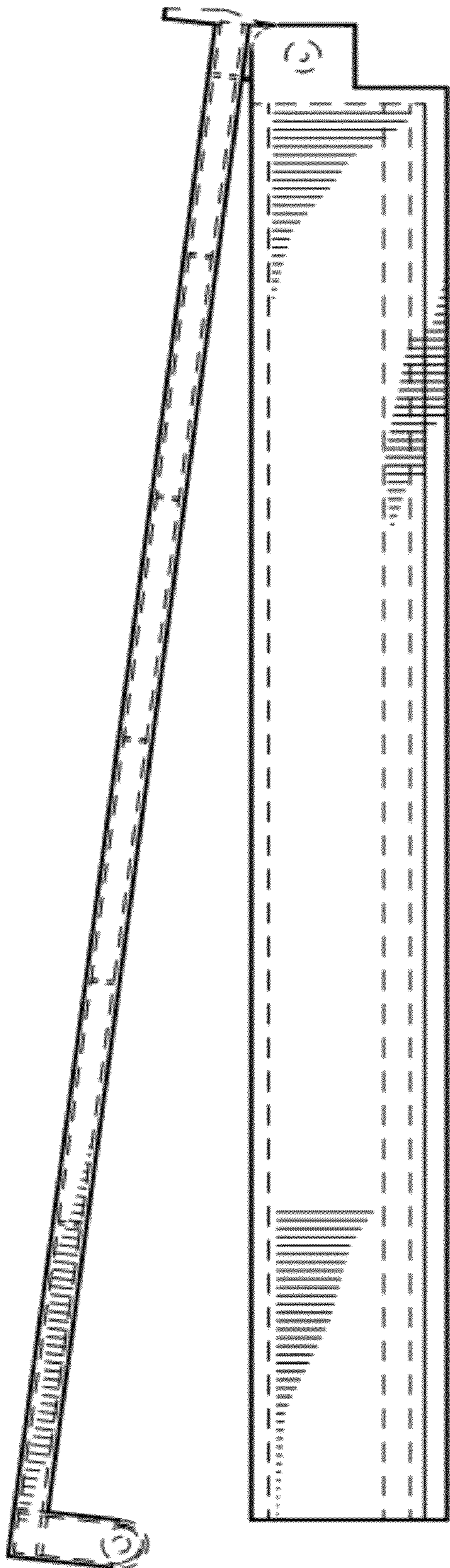


FIG. 6

