



US00D659765S

(12) **United States Design Patent**  
**Taniguchi et al.**

(10) **Patent No.:** **US D659,765 S**

(45) **Date of Patent:** **\*\* May 15, 2012**

(54) **OPERATING KNOB FOR PORTABLE ELECTRONIC COMPUTER**

(75) Inventors: **Yuki Taniguchi**, Kyoto (JP); **Junichiro Miyatake**, Kyoto (JP)

(73) Assignee: **Nintendo Co., Ltd**, Kyoto (JP)

(\*\*) Term: **14 Years**

(21) Appl. No.: **29/407,998**

(22) Filed: **Dec. 6, 2011**

**Related U.S. Application Data**

(62) Division of application No. 29/380,736, filed on Dec. 10, 2010.

**Foreign Application Priority Data**

Jun. 10, 2010 (JP) ..... 2010014463  
Jun. 10, 2010 (JP) ..... 2010014469  
Nov. 22, 2010 (JP) ..... 2010027959

(51) **LOC (9) Cl.** ..... **21-01**

(52) **U.S. Cl.** ..... **D21/333; D21/329**

(58) **Field of Classification Search** ..... D21/324-333;  
273/148 B; 463/1, 29-35, 43-51; D14/412-416;  
345/156-161

See application file for complete search history.

(56) **References Cited**

**U.S. PATENT DOCUMENTS**

D307,921 S 5/1990 Barr  
D338,242 S 8/1993 Cordell  
D351,430 S 10/1994 Barr  
5,476,261 A \* 12/1995 Hultstrand ..... 273/148 B  
5,486,845 A \* 1/1996 Chait ..... 345/163  
D376,826 S 12/1996 Ashida  
5,697,612 A \* 12/1997 Piotrowski et al. .... 273/127 R  
5,805,141 A \* 9/1998 Hsu ..... 345/161  
5,812,116 A \* 9/1998 Malhi ..... 345/168  
5,823,057 A \* 10/1998 Hsien ..... 74/471 XY  
D408,366 S \* 4/1999 Popadiuk ..... D13/158  
D430,223 S \* 8/2000 Goto ..... D21/333  
D431,606 S \* 10/2000 Shimomura et al. .... D21/333

D456,410 S 4/2002 Ashida  
D456,854 S 5/2002 Ashida  
D459,727 S 7/2002 Ashida  
D462,683 S 9/2002 Ashida  
6,769,689 B1 \* 8/2004 Shimomura et al. .... 273/148 B  
D547,763 S \* 7/2007 Hayes et al. .... D14/454  
D556,201 S 11/2007 Ashida et al.  
D556,760 S 12/2007 Ashida et al.  
D559,254 S 1/2008 Ashida et al.  
D567,243 S 4/2008 Ashida et al.  
D568,882 S 5/2008 Ashida et al.  
D568,883 S 5/2008 Ashida et al.  
D570,349 S 6/2008 Ashida et al.  
D575,284 S 8/2008 Ashida et al.  
D575,285 S 8/2008 Ashida et al.  
D576,624 S 9/2008 Ashida et al.  
D577,025 S 9/2008 Ashida et al.  
D579,015 S 10/2008 Ashida et al.  
D620,939 S 8/2010 Suetake et al.  
D636,773 S \* 4/2011 Lin ..... D14/401

\* cited by examiner

*Primary Examiner* — Prabhakar Deshmukh

(74) *Attorney, Agent, or Firm* — Nixon & Vanderhye, P.C.

(57) **CLAIM**

The ornamental design for an operating knob for portable electronic computer, as shown and described.

**DESCRIPTION**

FIG. 1 is front, right and bottom perspective view of an operating knob for portable electronic computer showing our new design;

FIG. 2 is rear, left and top perspective view thereof;

FIG. 3 is a front view thereof;

FIG. 4 is a rear view thereof;

FIG. 5 is a top plan view thereof;

FIG. 6 is a bottom plan view thereof;

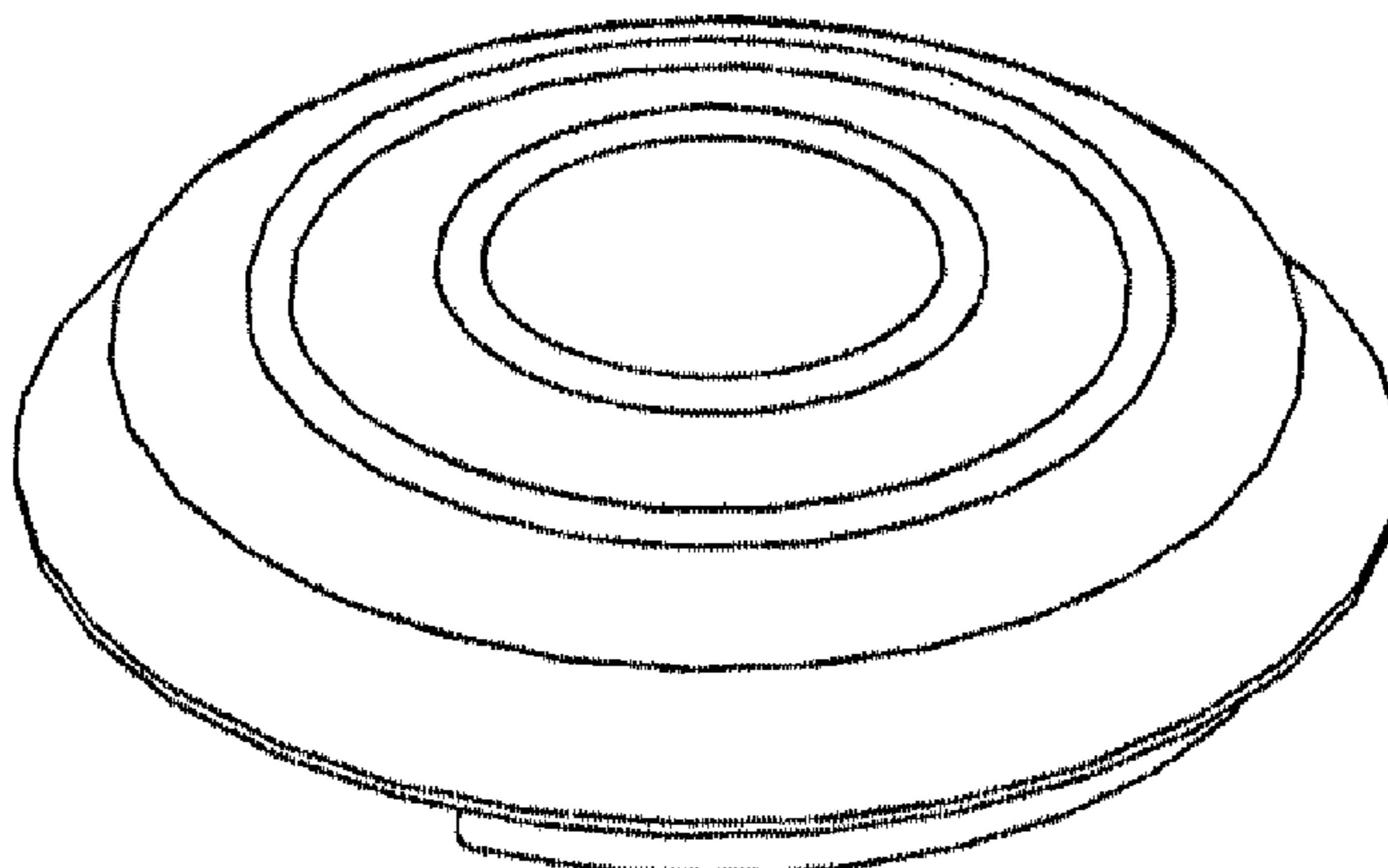
FIG. 7 is a left side view thereof;

FIG. 8 is a right side view thereof; and,

FIG. 9 is a reference perspective view showing the operating knob attached to a portable electronic computer.

The subject matter in FIG. 9 shown in broken-line format is for environmental purposes only and forms no part of the claimed design.

**1 Claim, 2 Drawing Sheets**



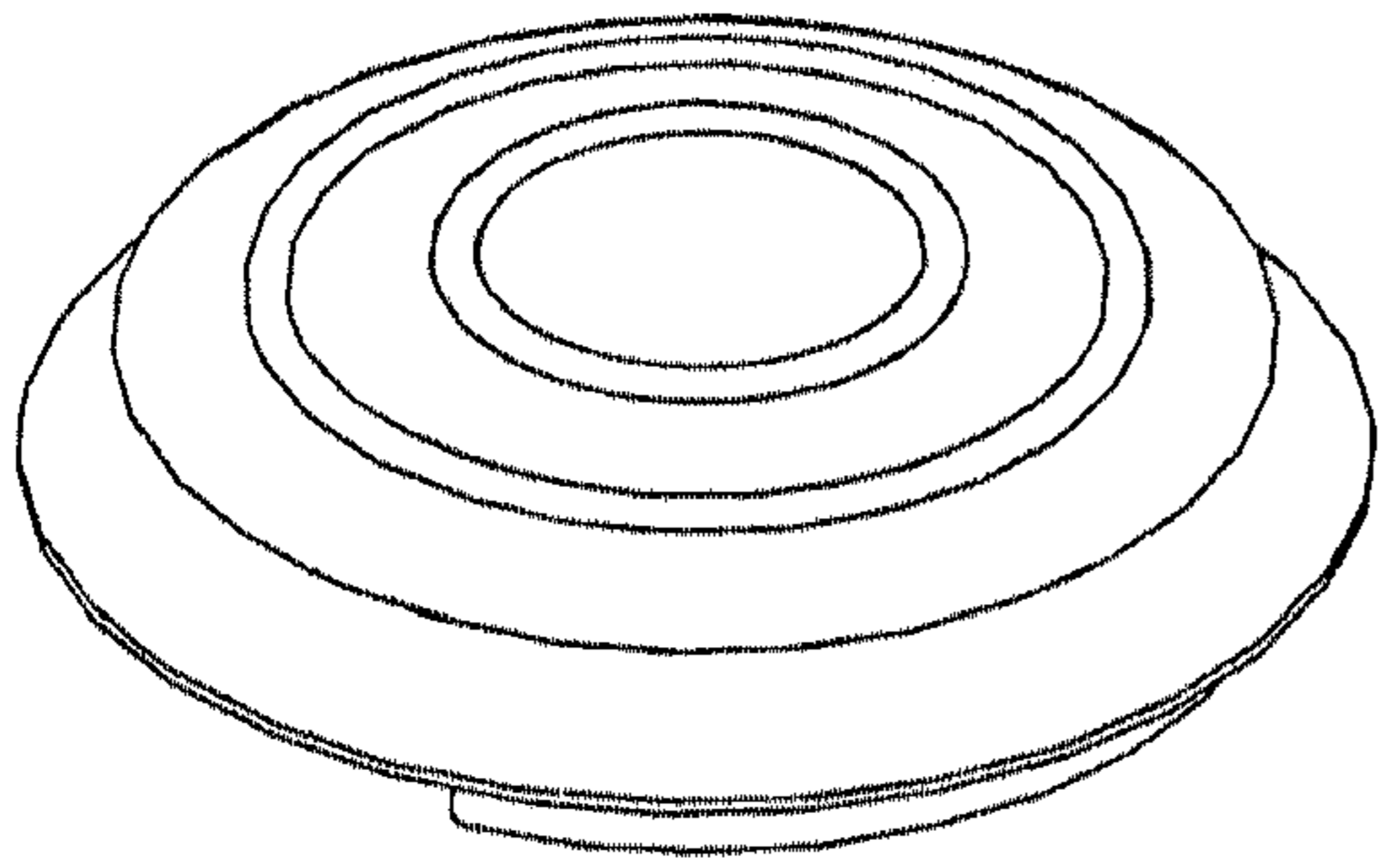


FIG. 1

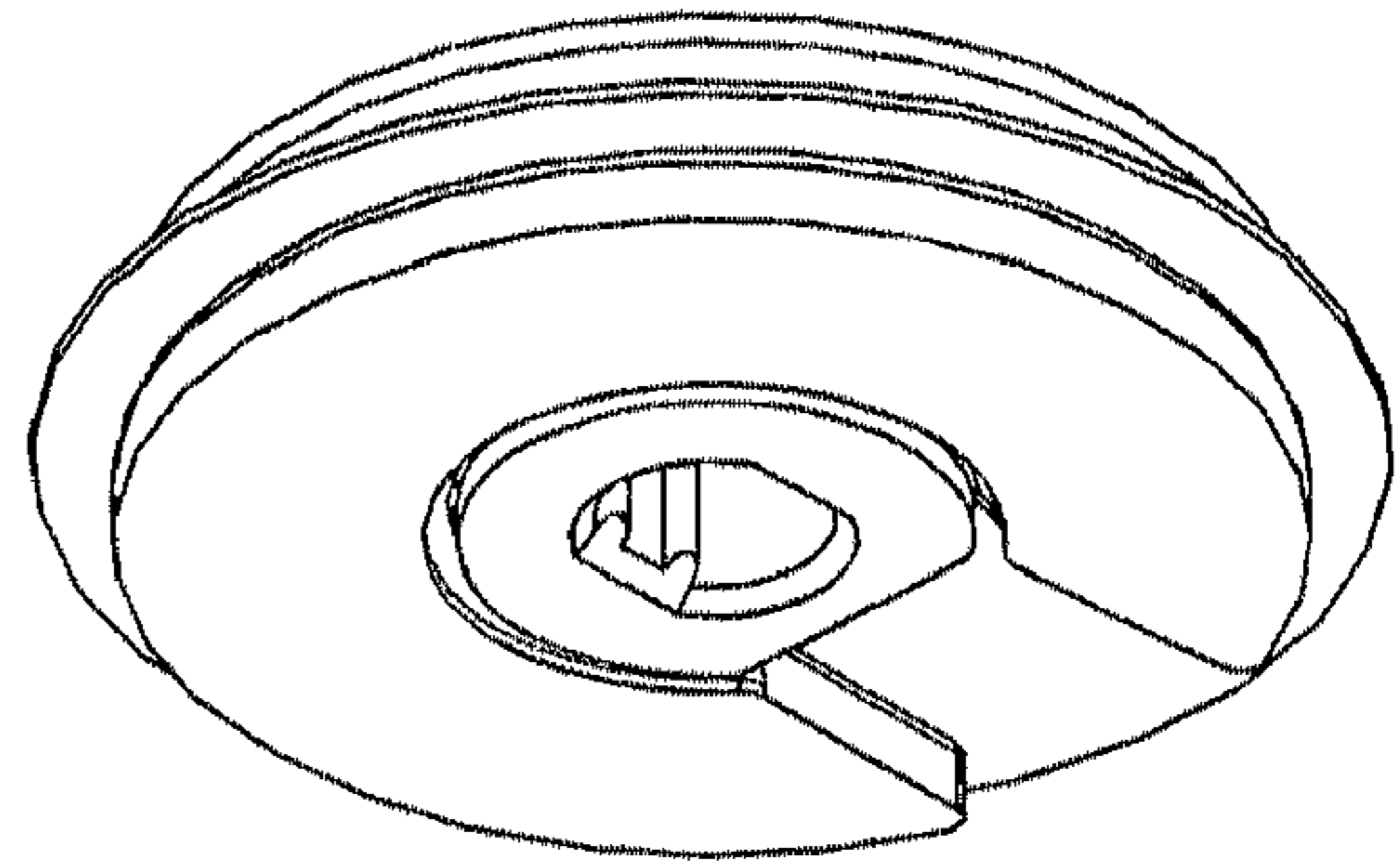


FIG. 2

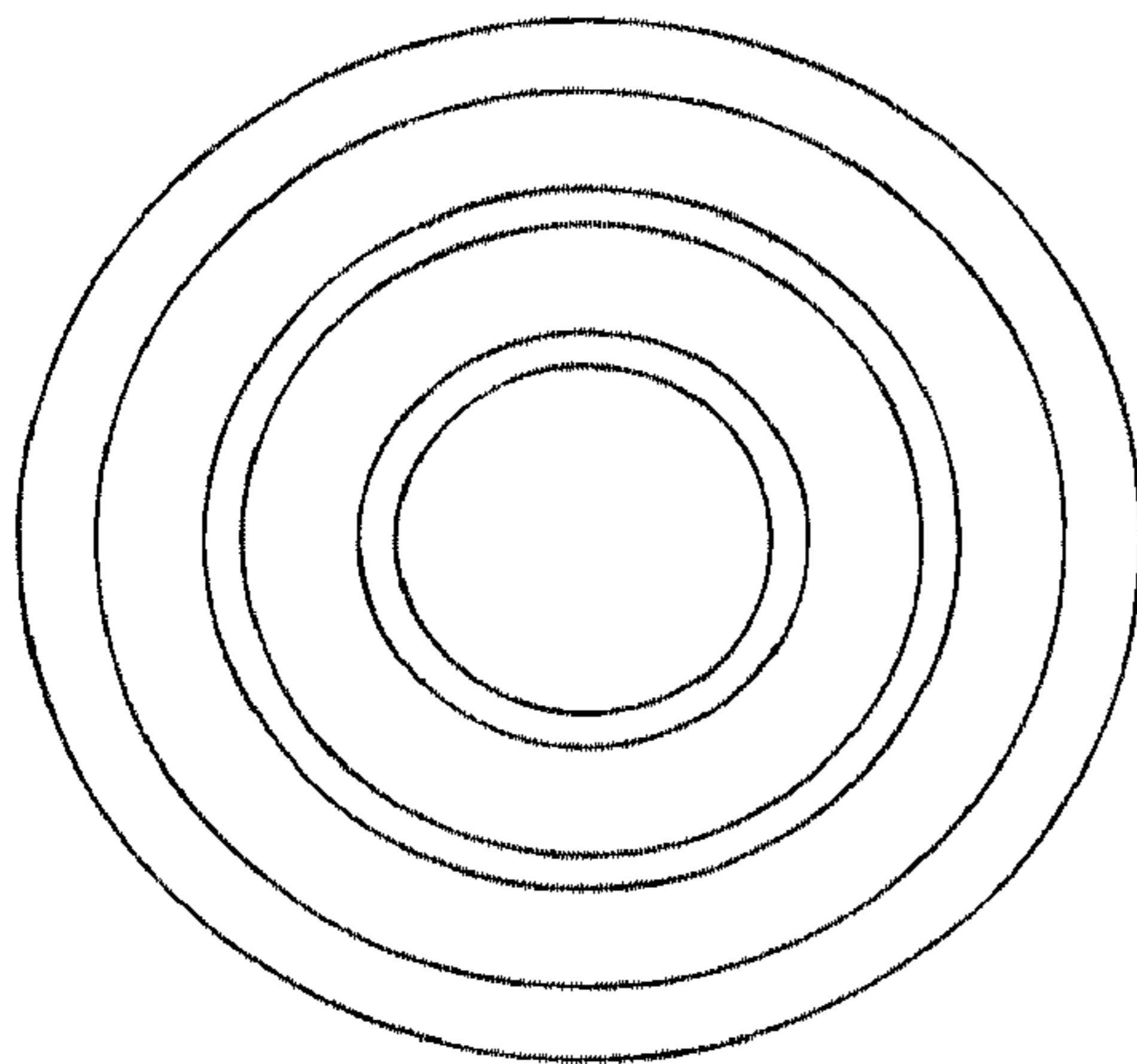


FIG. 3

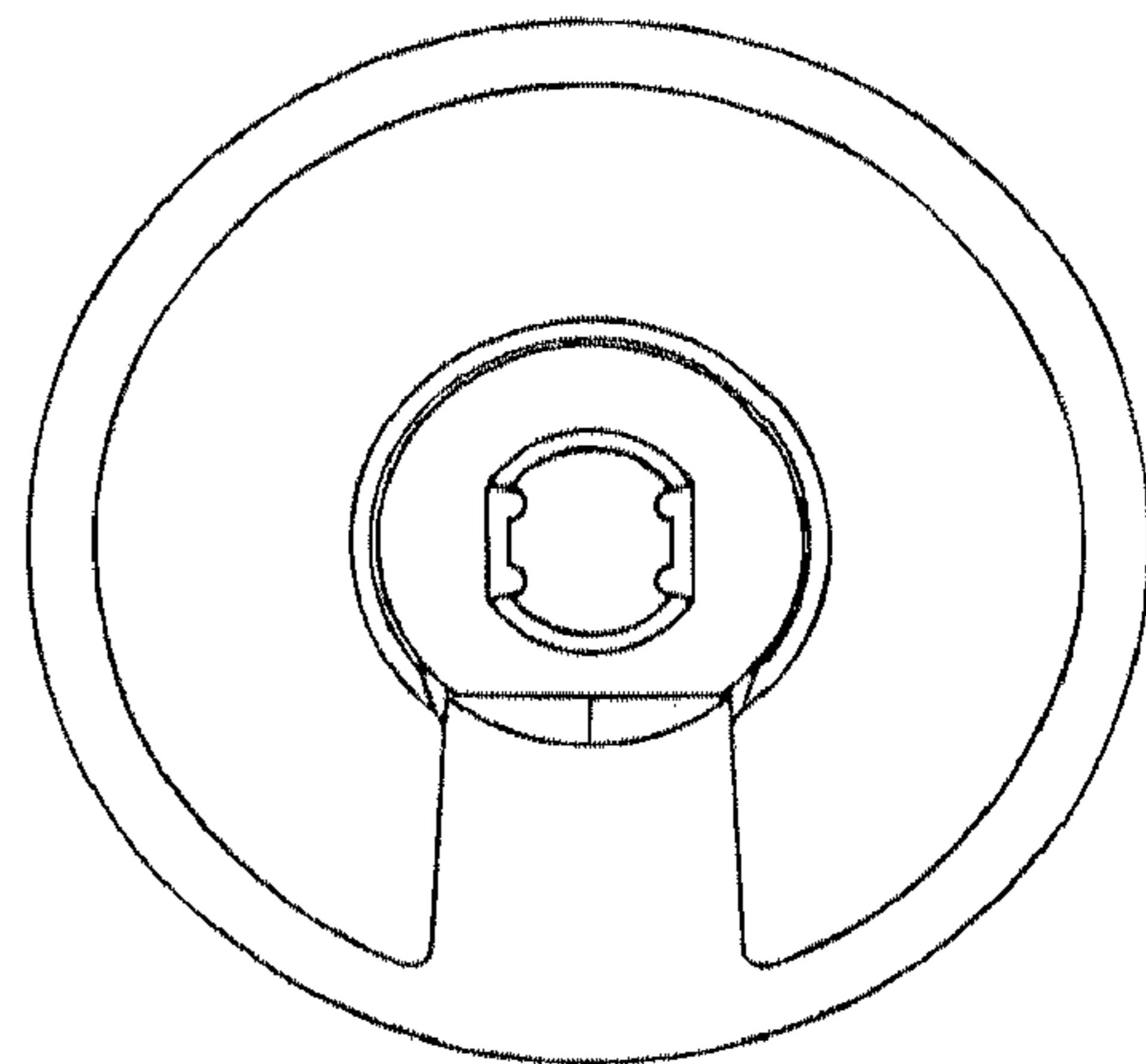


FIG. 4

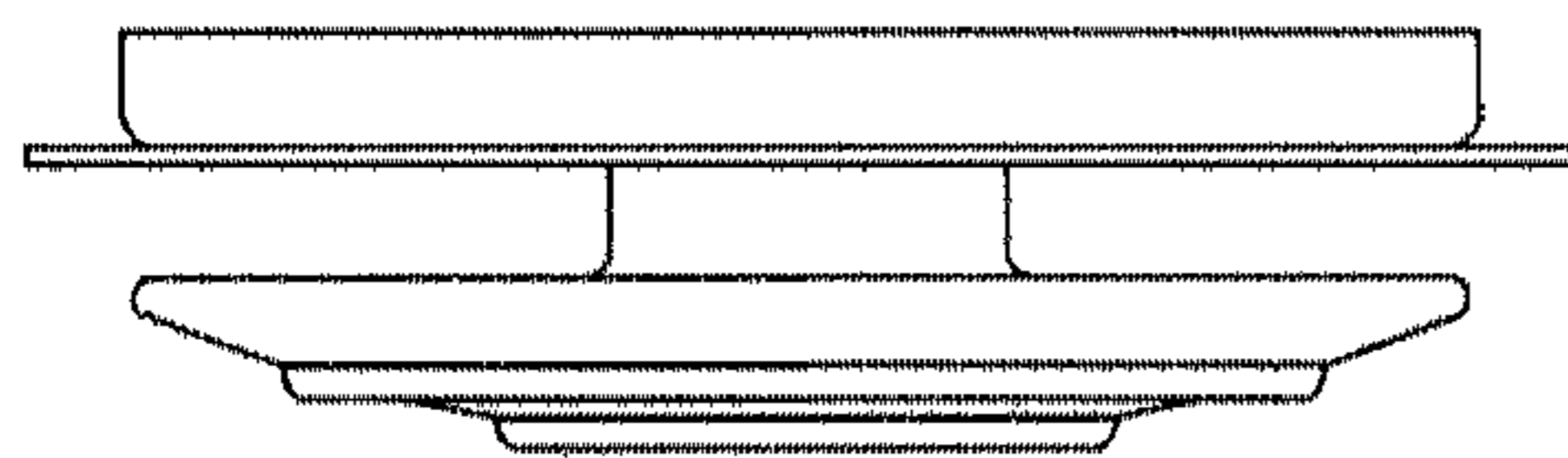


FIG. 5

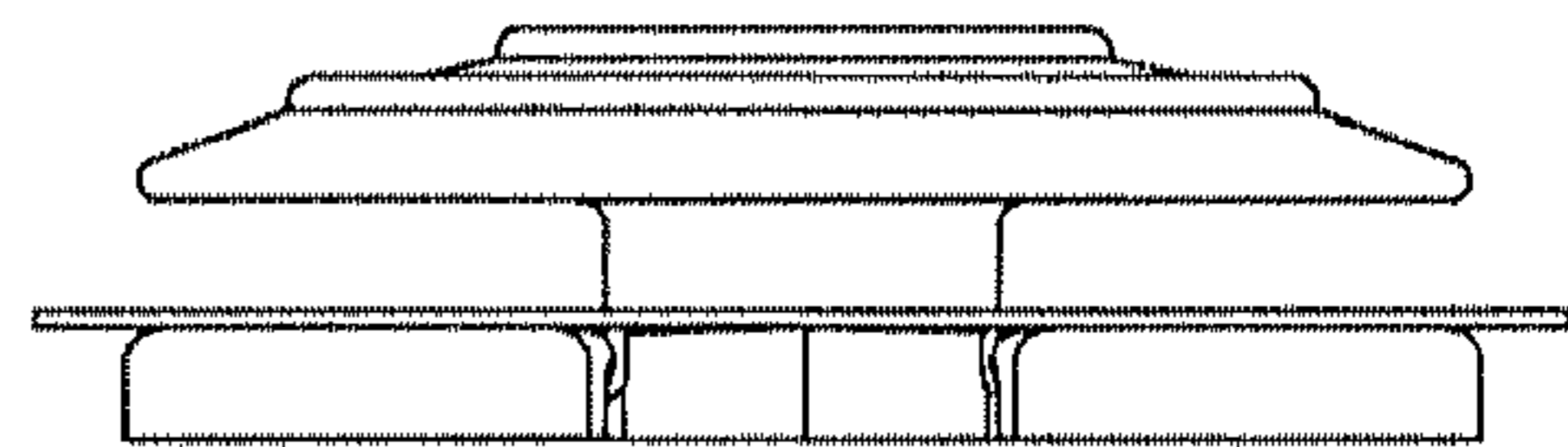


FIG. 6

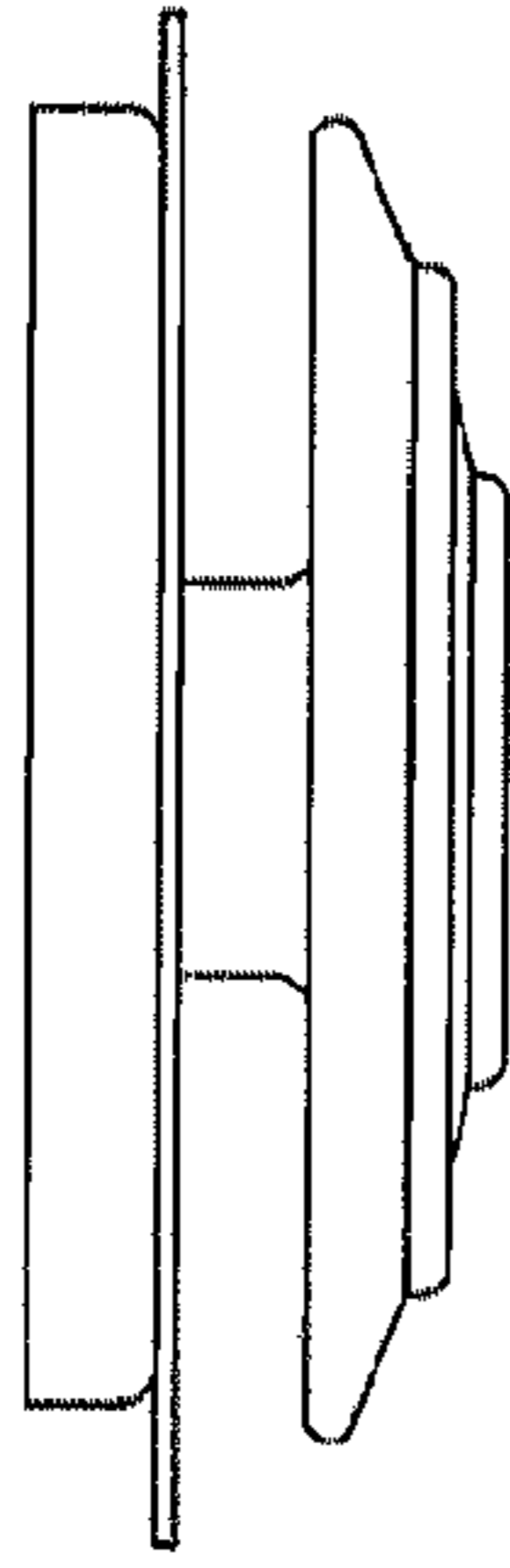


FIG. 7

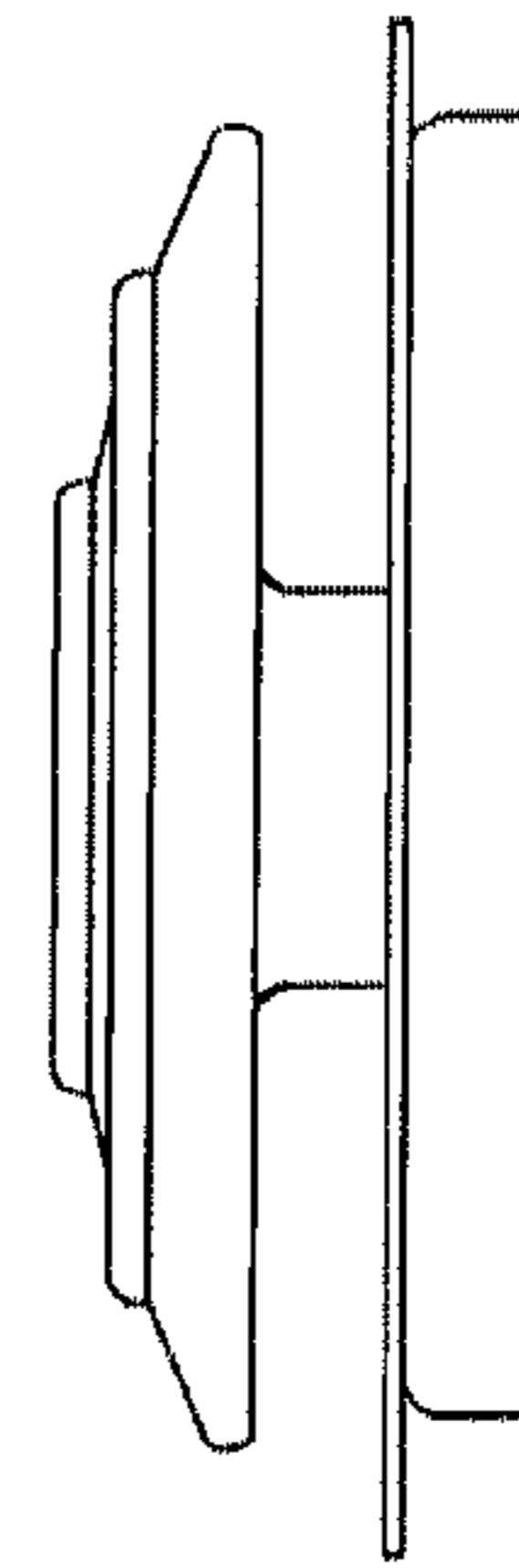


FIG. 8

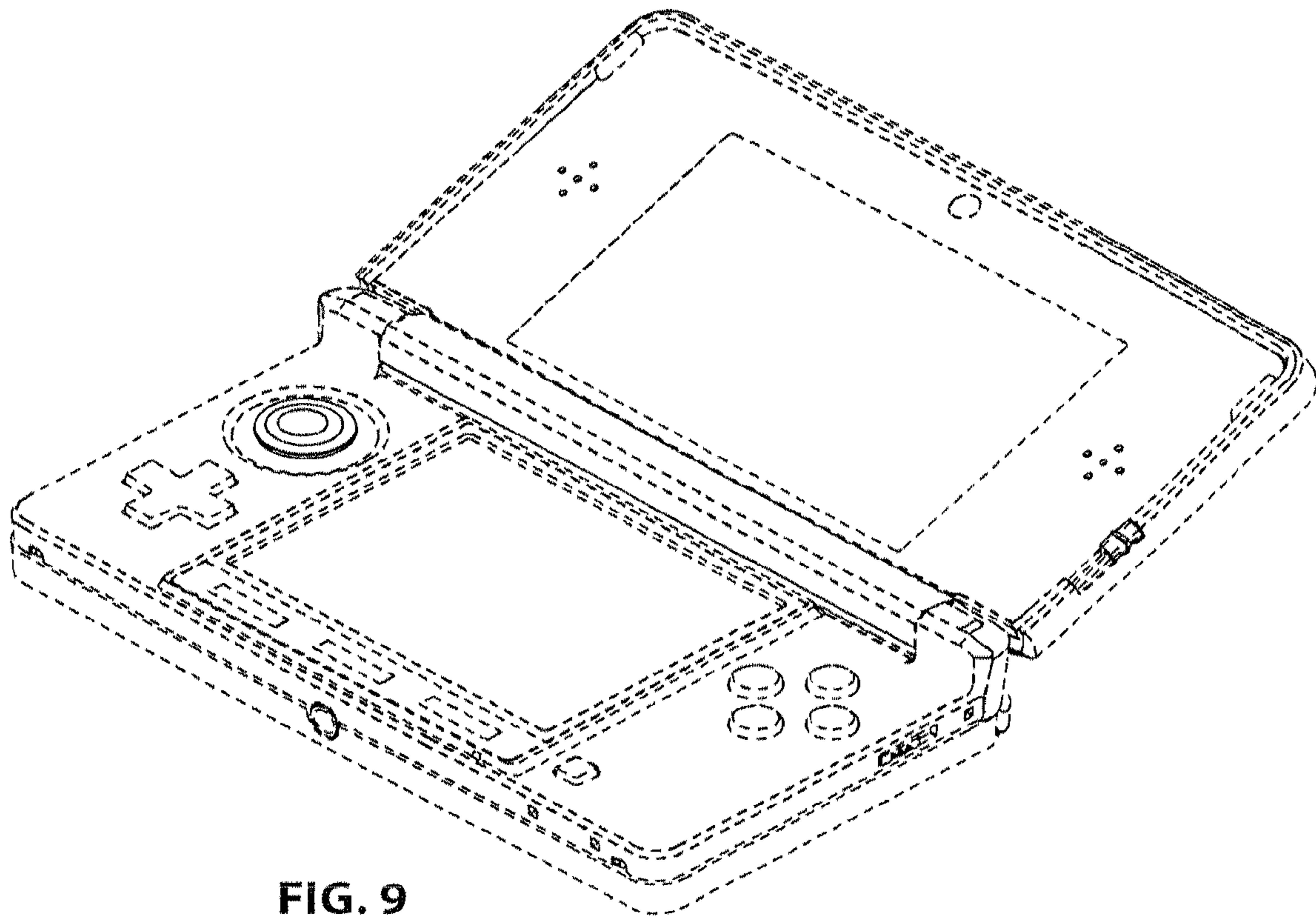


FIG. 9