



US00D659764S

(12) **United States Design Patent**
Engelhardt

(10) **Patent No.:** **US D659,764 S**

(45) **Date of Patent:** **** *May 15, 2012**

(54) **ADVERTISING DEVICE**

(75) Inventor: **Moritz Engelhardt**, Berlin (DE)

(73) Assignee: **Nice Ideas Berlin**
Unternehmergeellschaft, Berlin (DE)

(*) Notice: This patent is subject to a terminal disclaimer.

(**) Term: **14 Years**

(21) Appl. No.: **29/316,876**

(22) Filed: **Nov. 9, 2009**

(30) **Foreign Application Priority Data**

May 9, 2009 (DE) 40 2009 000 845

(51) **LOC (9) Cl.** **20-02**

(52) **U.S. Cl.** **D20/99; D20/29**

(58) **Field of Classification Search** D20/10,
D20/18, 19, 21, 29, 39, 40, 42, 43, 99; 40/446,
40/538, 541, 584; D6/449, 450; D10/44,
D10/109; D11/157; 362/812; 368/93, 94
See application file for complete search history.

(56) **References Cited**

U.S. PATENT DOCUMENTS

372,090 A * 10/1887 Shaw 368/94
D122,475 S * 9/1940 Weiss D10/44
D282,056 S * 1/1986 Levine D11/157

D298,419 S * 11/1988 Lin D10/44
D300,725 S * 4/1989 Lin D10/44
D321,669 S * 11/1991 Hoehne D10/44
D421,350 S * 3/2000 Bidwell et al. D6/450
D436,134 S * 1/2001 Aguayo, Jr. D20/10
D606,777 S * 12/2009 Weiss D6/449

FOREIGN PATENT DOCUMENTS

DE 202006014944 * 4/2007

* cited by examiner

Primary Examiner — Mary Ann Calabrese

(74) *Attorney, Agent, or Firm* — Mark K. Young; Mayer & Williams P.C.

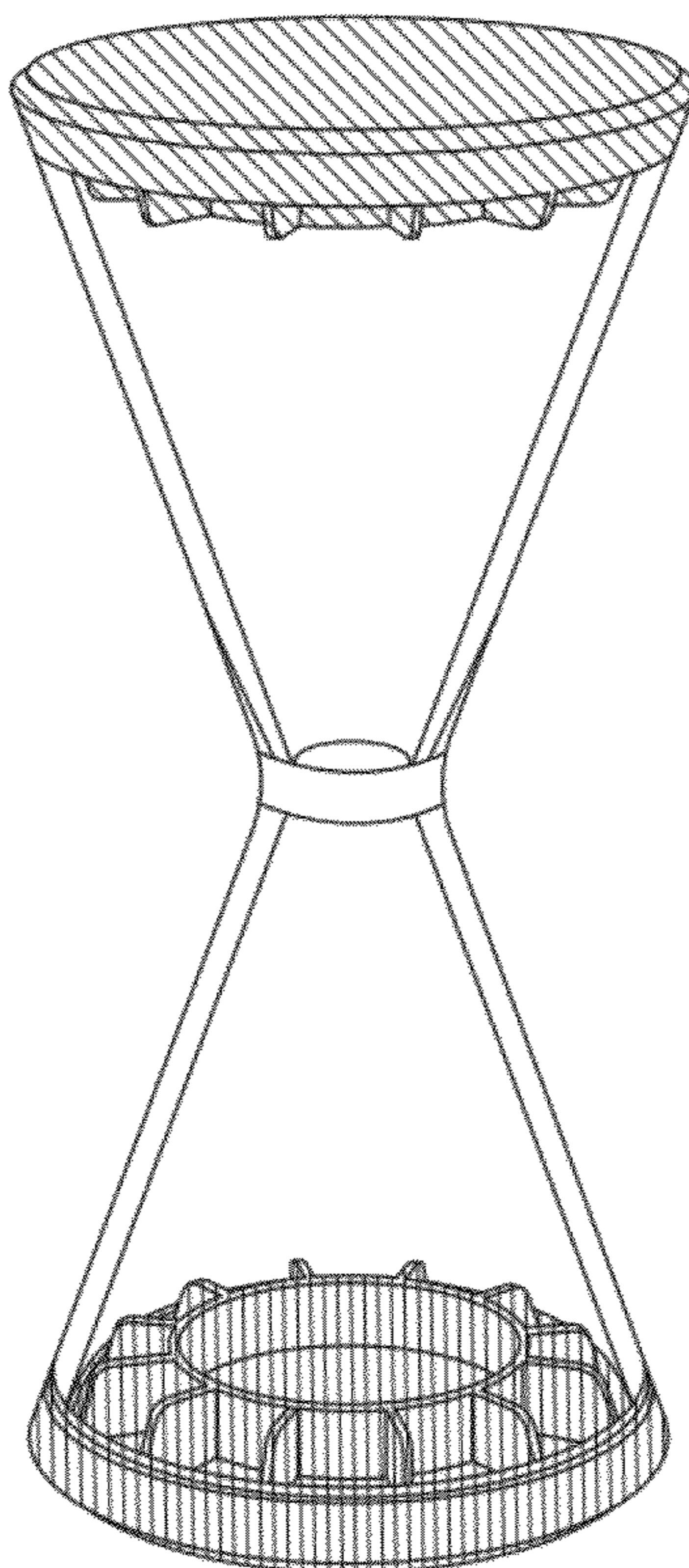
(57) **CLAIM**

The ornamental design for an advertising device, as shown and described.

DESCRIPTION

FIG. 1 is a top perspective view of the advertising device when oriented vertically;
FIG. 2 is a bottom perspective view of the advertising device when oriented horizontally;
FIG. 3 is a top plan view of the advertising device;
FIG. 4 is a bottom plan view of the advertising device;
FIG. 5 is a front elevation view of the advertising device, the front and back elevation views being the same; and,
FIG. 6 is a side elevation view of the advertising device.

1 Claim, 4 Drawing Sheets



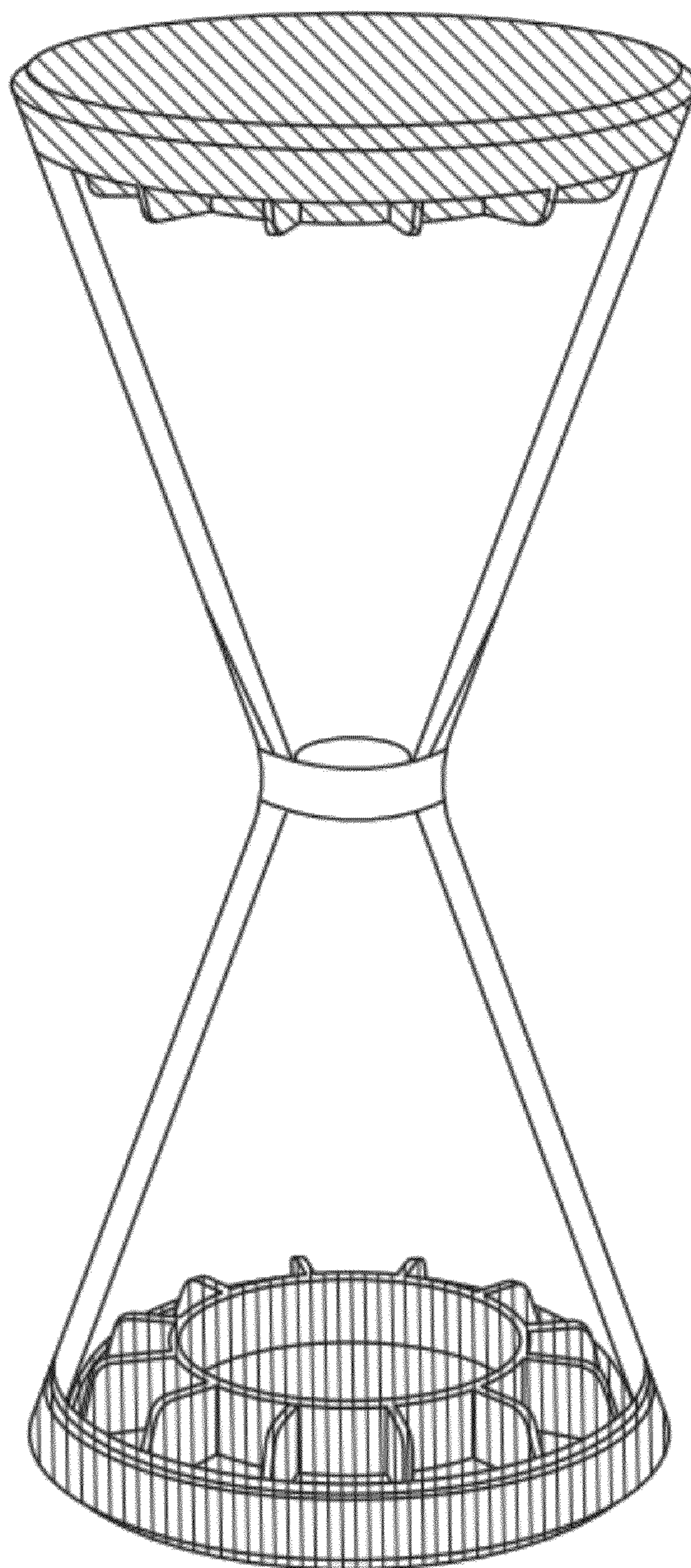


FIG. 1

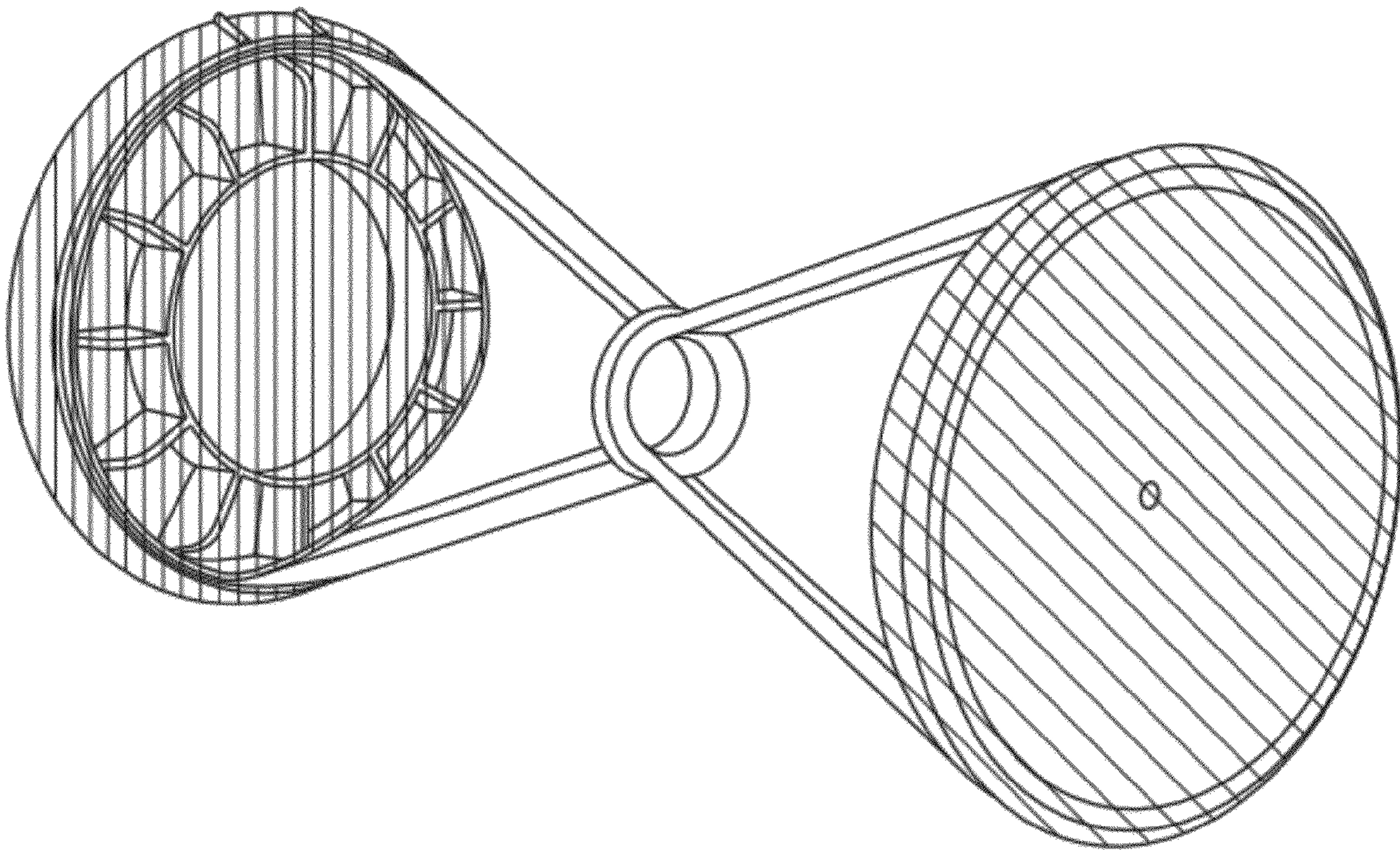


FIG. 2

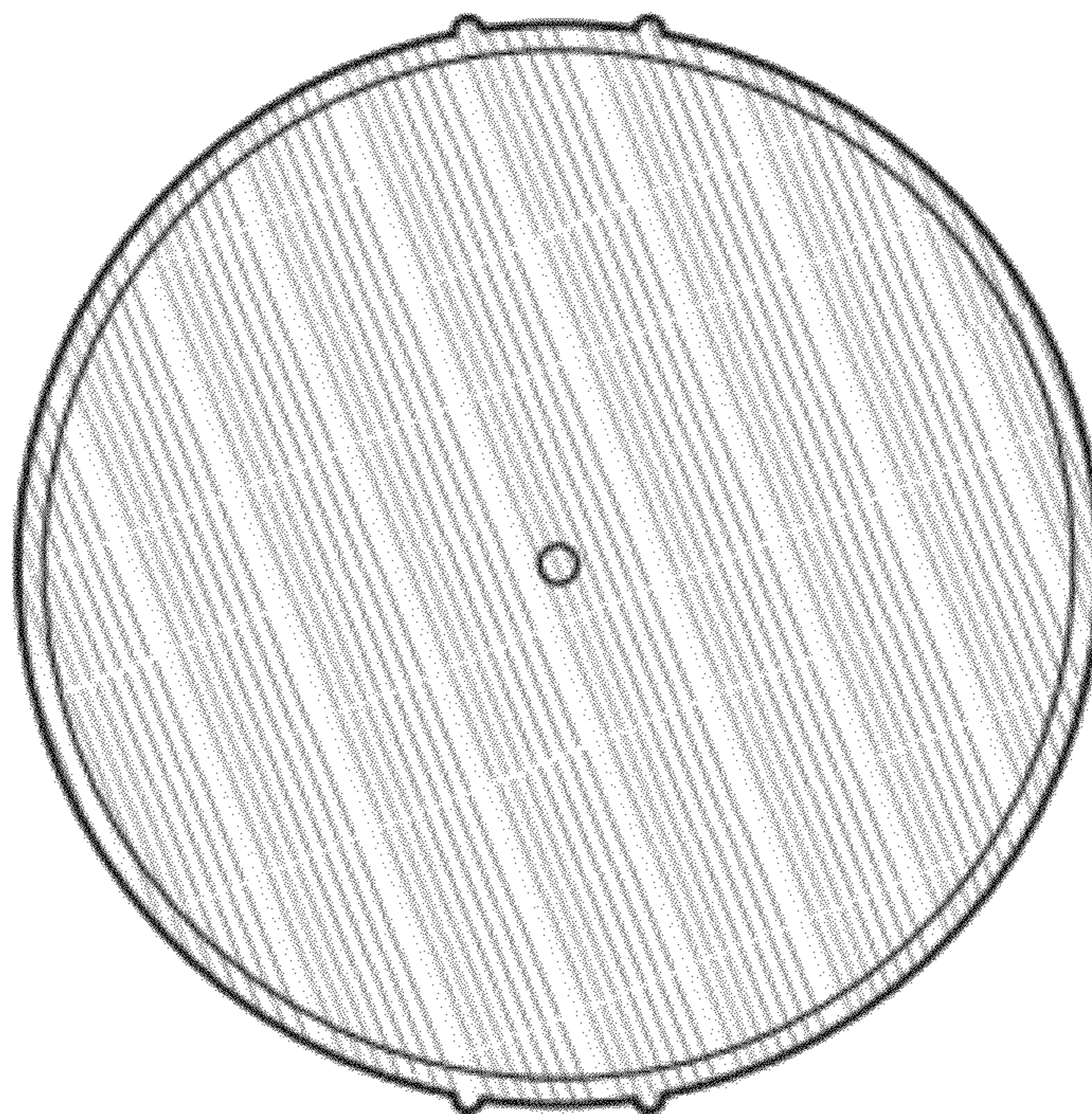


FIG. 3

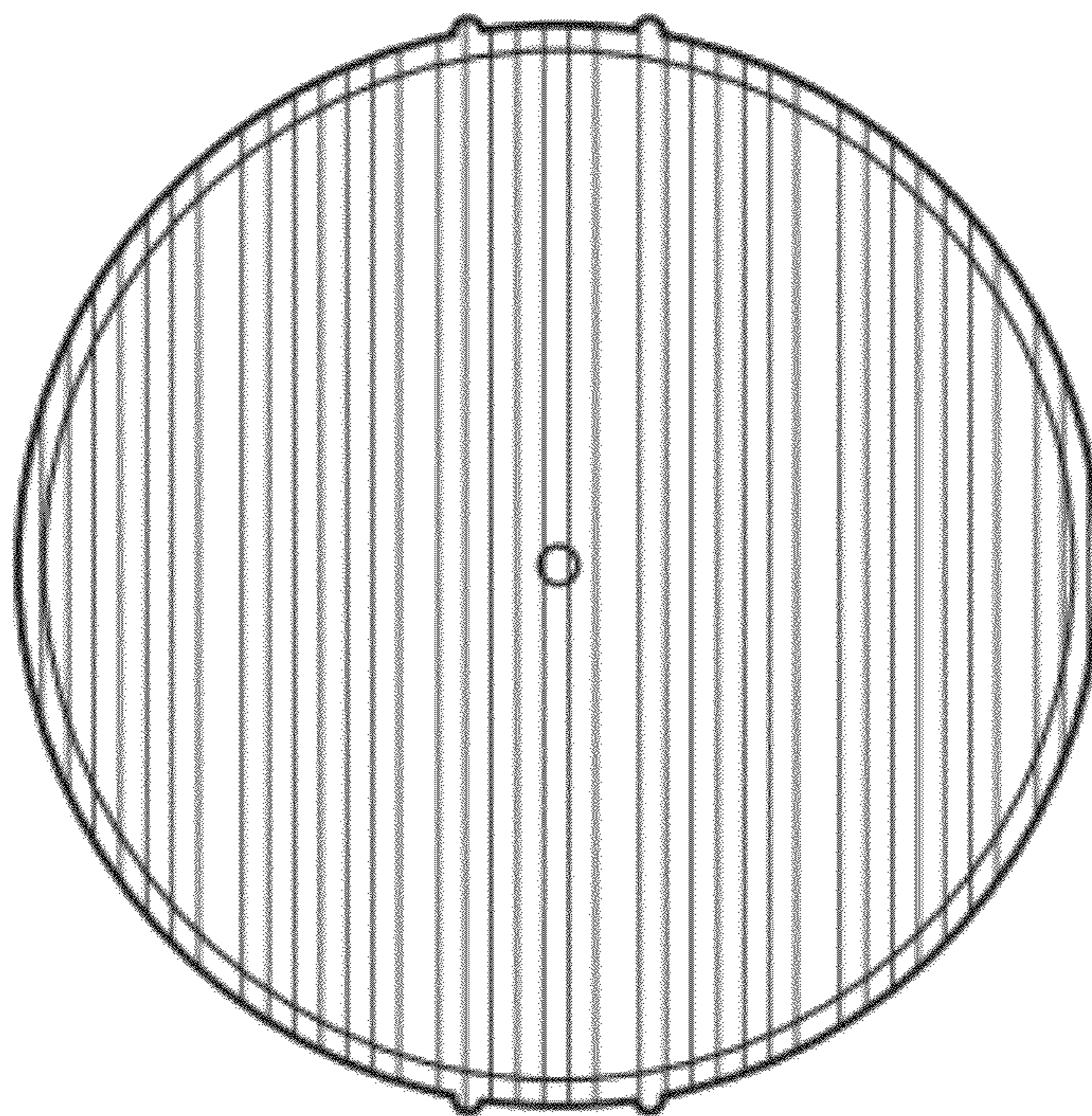


FIG. 4

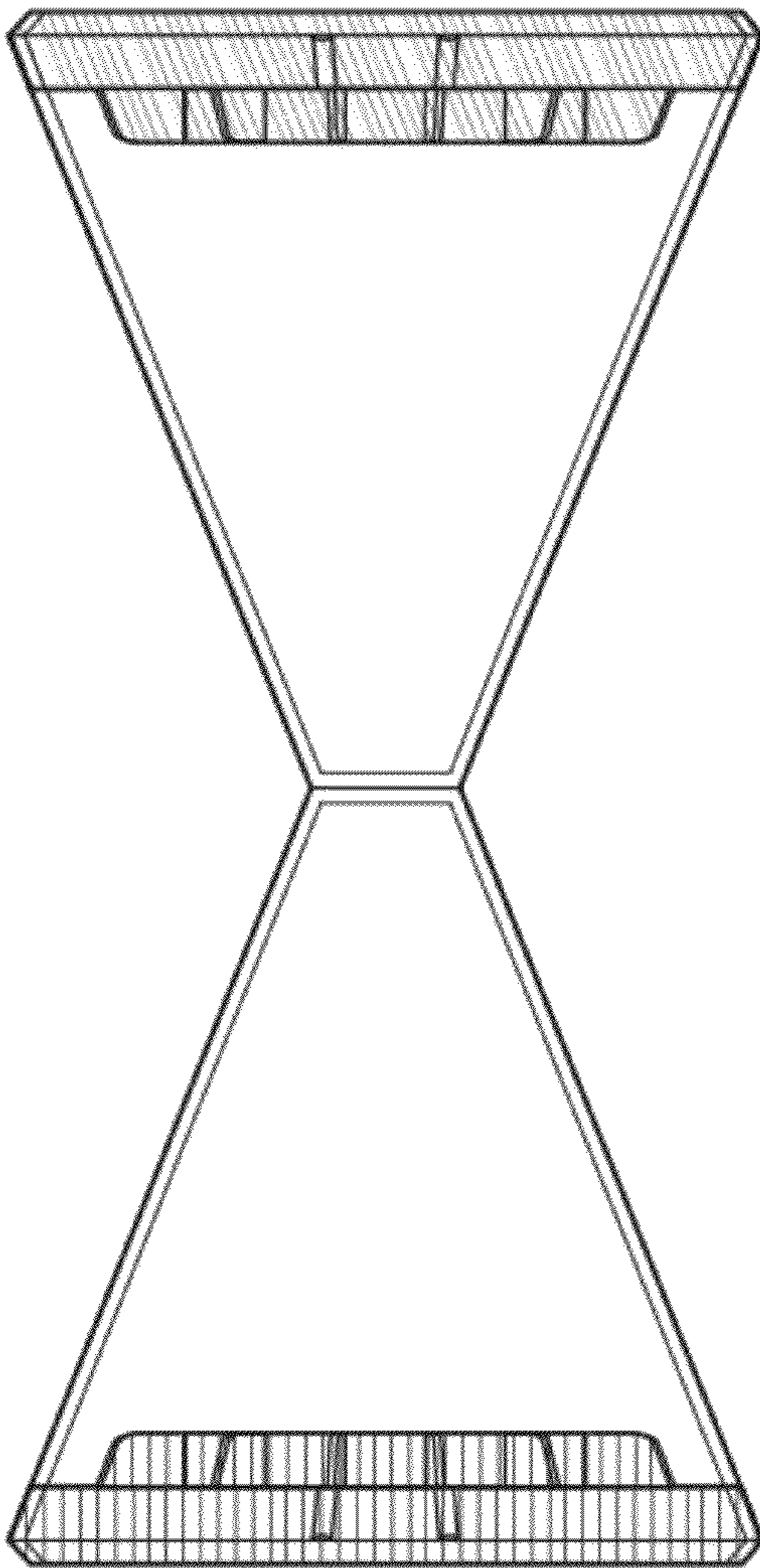


FIG. 5

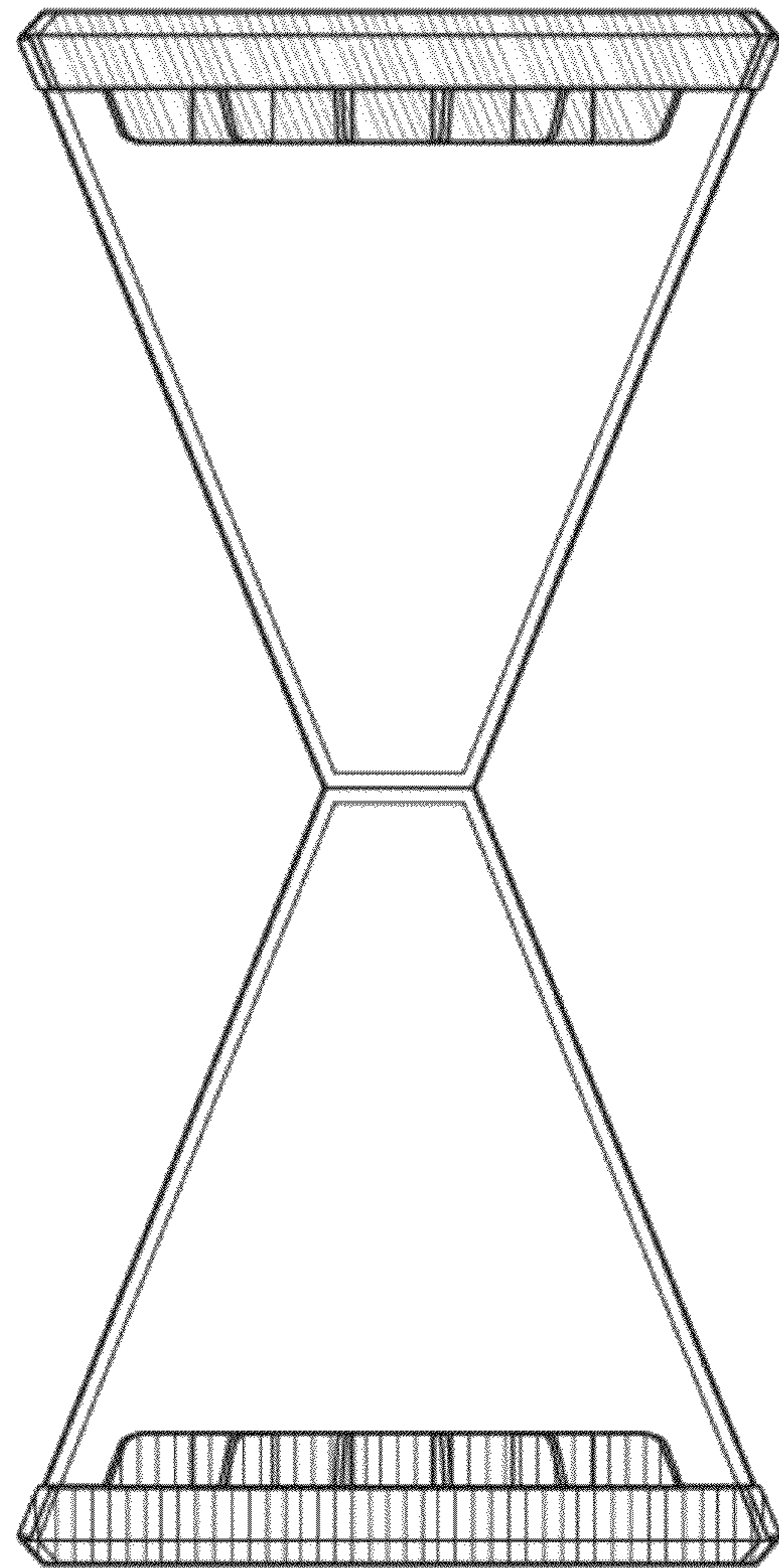


FIG. 6