



US00D659763S

(12) **United States Design Patent**  
**Ohashi et al.**

(10) **Patent No.:** **US D659,763 S**

(45) **Date of Patent:** **\*\* May 15, 2012**

(54) **COATING FILM TRANSFER TOOL**

(75) Inventors: **Takashi Ohashi**, Osaka (JP); **Hideto Shima**, Kyoto (JP)

(73) Assignee: **Kokuyo Co., Ltd.**, Osaka (JP)

(\*\*) Term: **14 Years**

(21) Appl. No.: **29/387,219**

(22) Filed: **Mar. 10, 2011**

(30) **Foreign Application Priority Data**

Sep. 15, 2010 (JP) ..... 2010-022196

(51) **LOC (9) Cl.** ..... **19-02**

(52) **U.S. Cl.** ..... **D19/69**

(58) **Field of Classification Search** ..... D19/66,  
D19/67, 68, 69, 70; 156/523, 257, 540, 577;  
206/411; 225/6, 25, 39, 77; 242/588, 588.1,  
242/588.2, 588.3, 588.6, 5

See application file for complete search history.

(56) **References Cited**

**U.S. PATENT DOCUMENTS**

D355,934 S *	2/1995	Oga et al.	.....	D19/69
D446,246 S *	8/2001	Kimura	.....	D19/69
D475,745 S *	6/2003	Ono	.....	D19/69
6,601,632 B2 *	8/2003	Bouveresse et al.	.....	156/577
D539,351 S *	3/2007	Mitsui et al.	.....	D19/69
D594,904 S *	6/2009	Kai et al.	.....	D19/69

D598,498 S *	8/2009	Kinugasa et al.	.....	D19/69
7,900,679 B2 *	3/2011	Kinugasa et al.	.....	156/577
D645,513 S *	9/2011	Mitsui et al.	.....	D19/69
2005/0139326 A1 *	6/2005	Mitsui et al.	.....	156/540
2005/0155717 A1 *	7/2005	Mitsui et al.	.....	156/577
2009/0028620 A1 *	1/2009	Kinugasa et al.	.....	400/242
2010/0116440 A1 *	5/2010	Kai et al.	.....	156/577

**FOREIGN PATENT DOCUMENTS**

JP	5-8363 S	1/1997
JP	5-8364 S	1/1997

\* cited by examiner

*Primary Examiner* — Austin Murphy

(74) *Attorney, Agent, or Firm* — Dennis R. Haszko

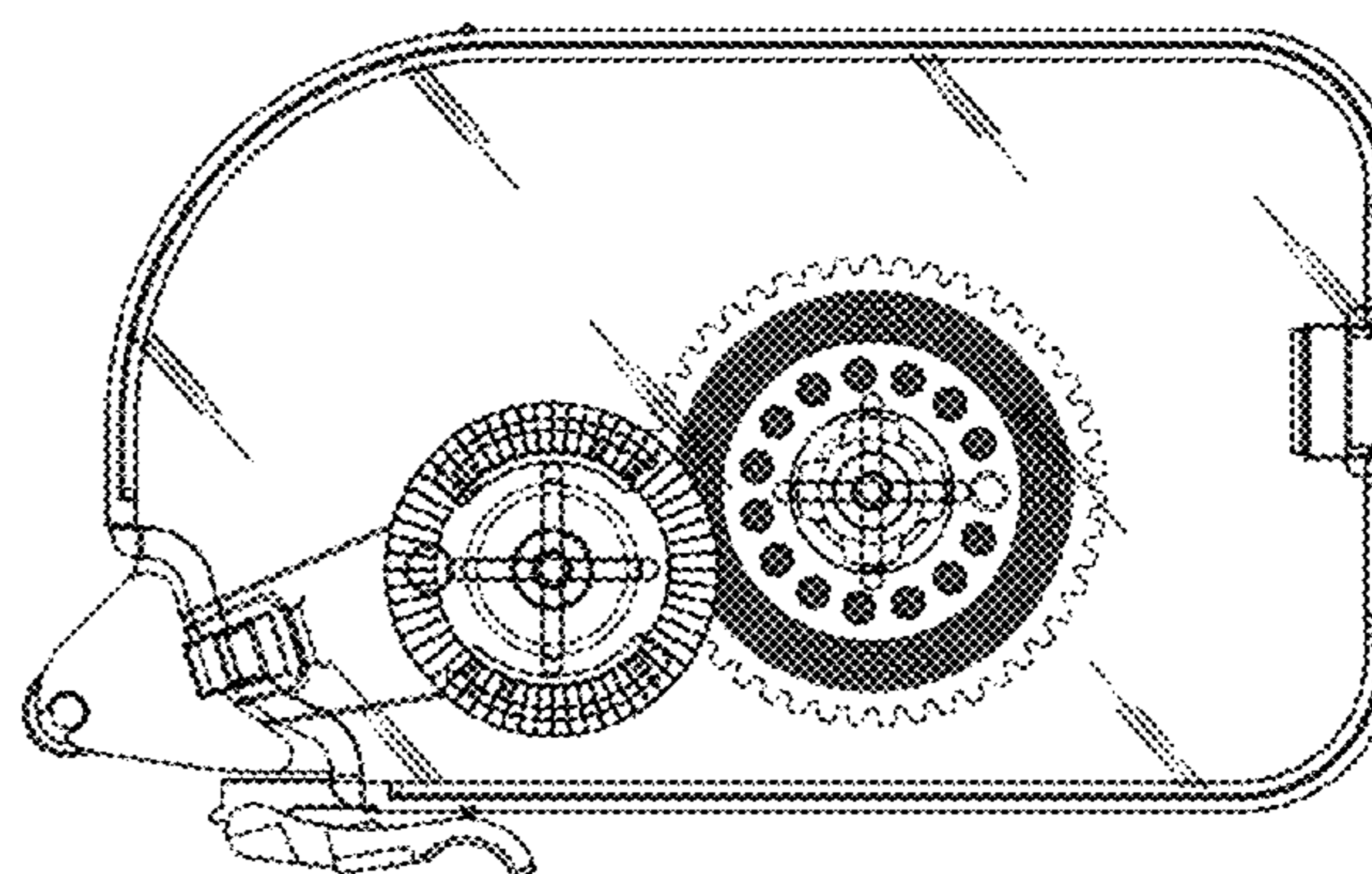
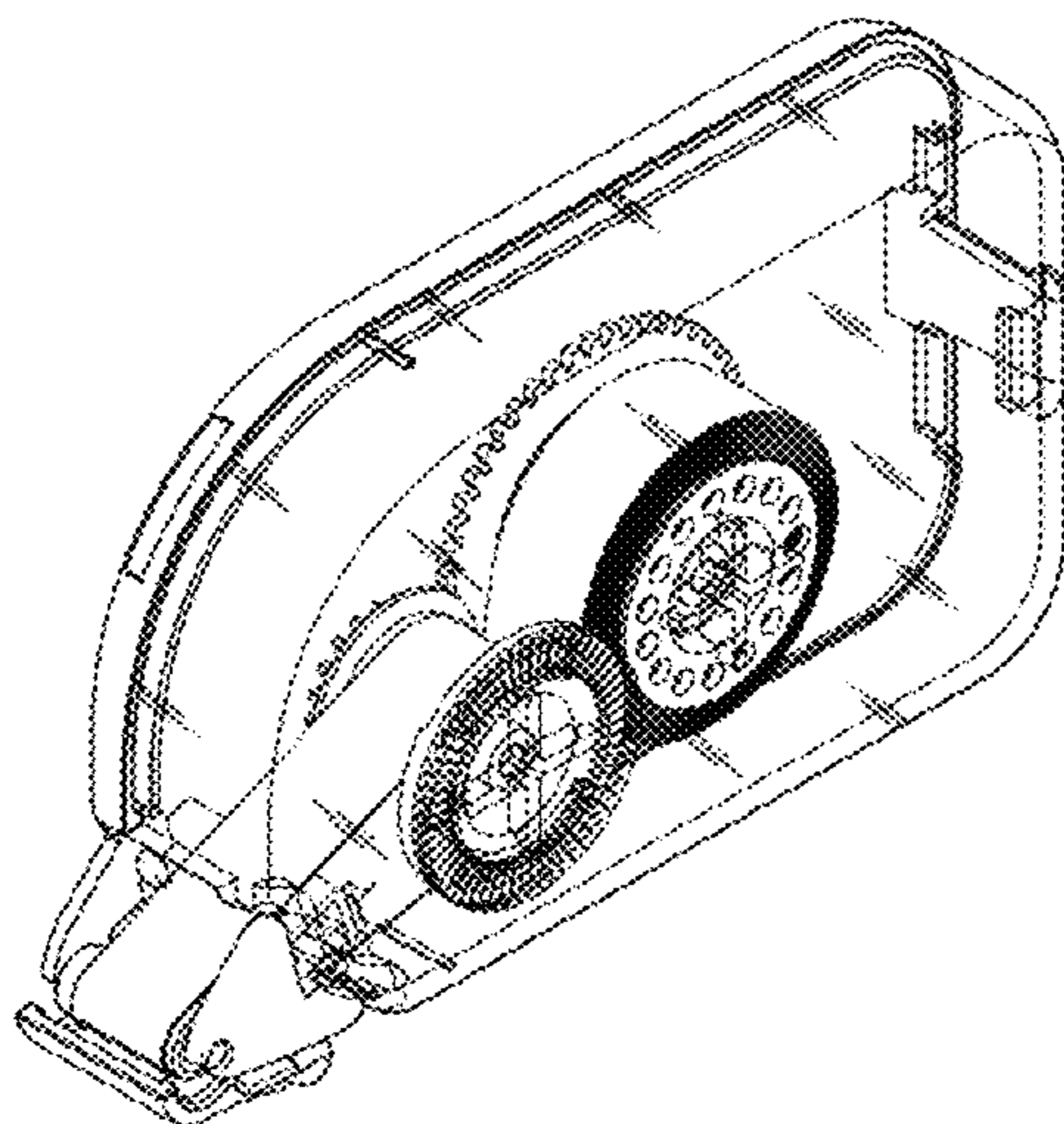
(57) **CLAIM**

The ornamental design for a coating film transfer tool, as shown and described.

**DESCRIPTION**

FIG. 1 is perspective view of the coating film transfer tool; FIG. 2 is a front view thereof; FIG. 3 is a rear view thereof; FIG. 4 is a top view thereof; FIG. 5 is a bottom view thereof; FIG. 6 is a right side view thereof; FIG. 7 is a left side view thereof; FIG. 8 is a sectional view taken along line 8-8 of FIG. 2; and, FIG. 9 is a front view thereof showing the head cover in open position.

**1 Claim, 7 Drawing Sheets**



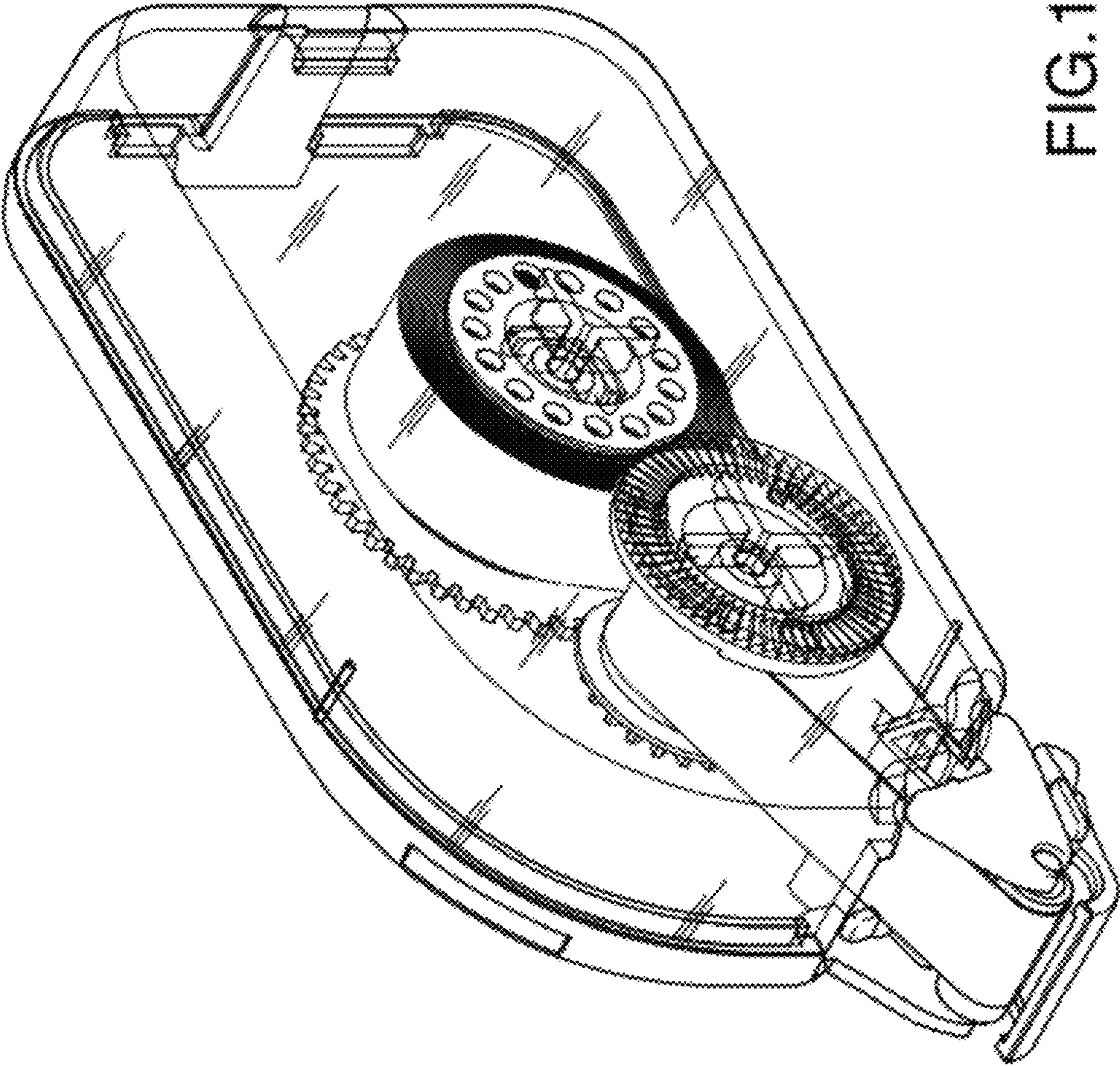


FIG.1

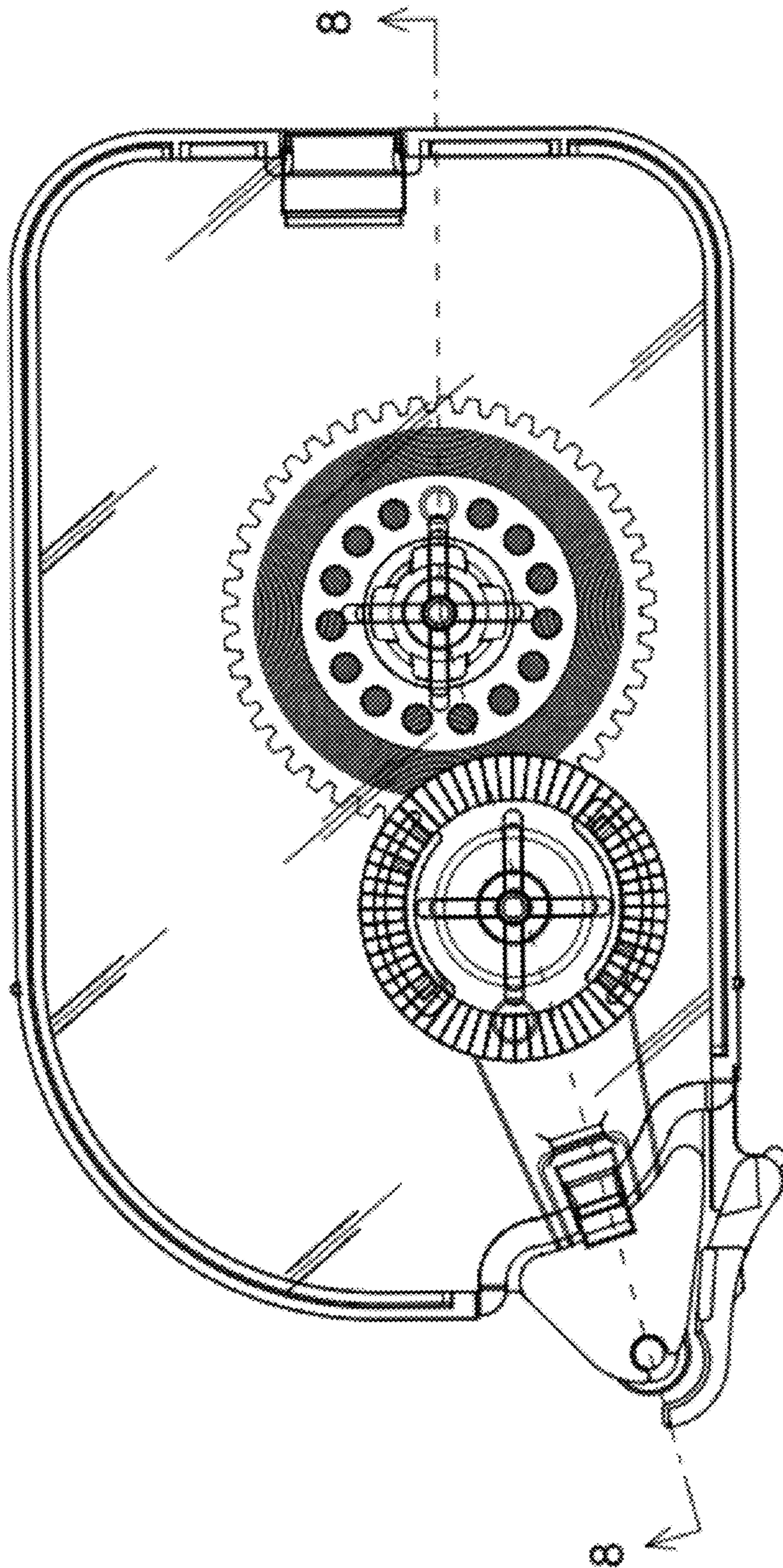


FIG.2

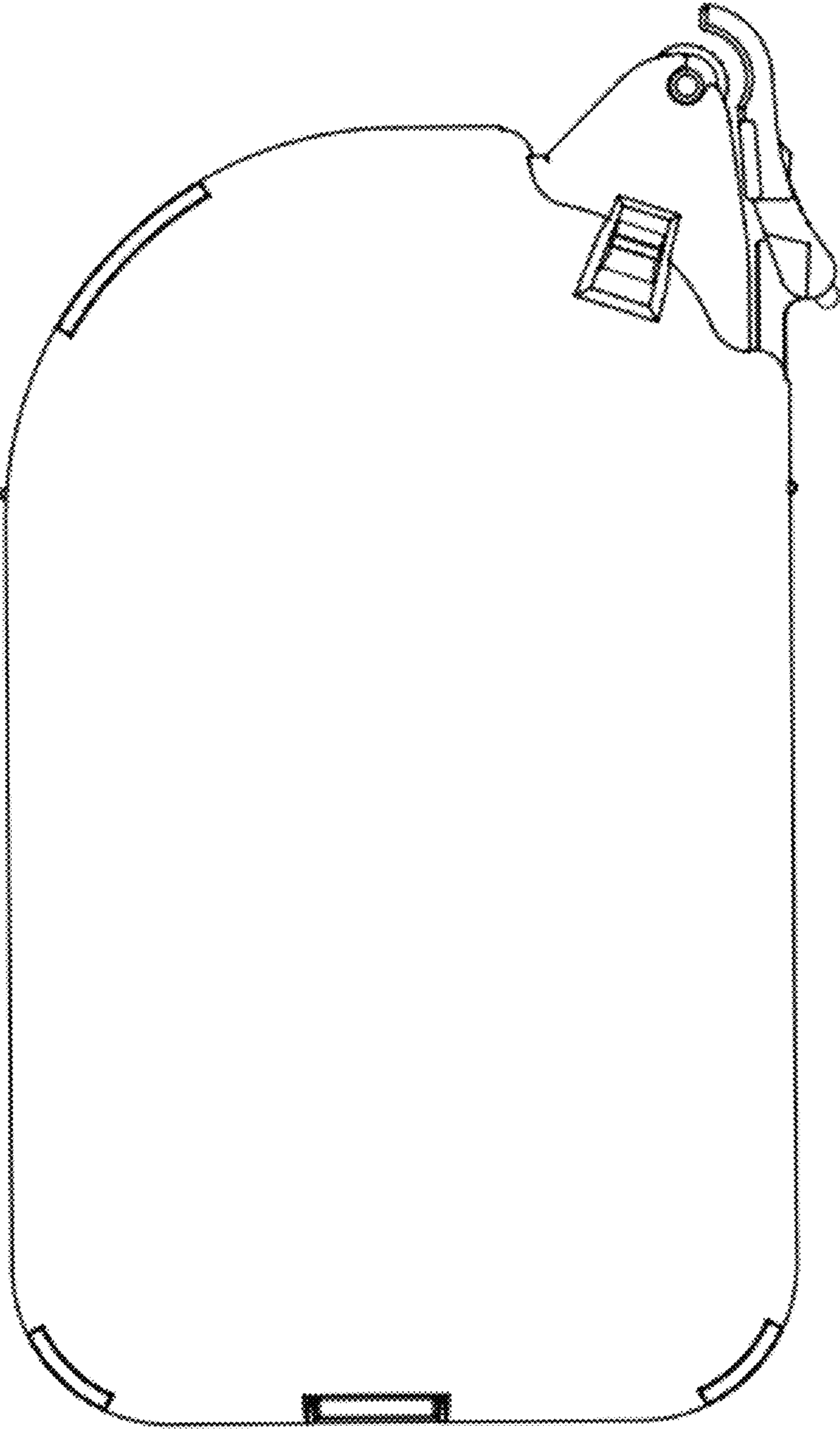


FIG. 3

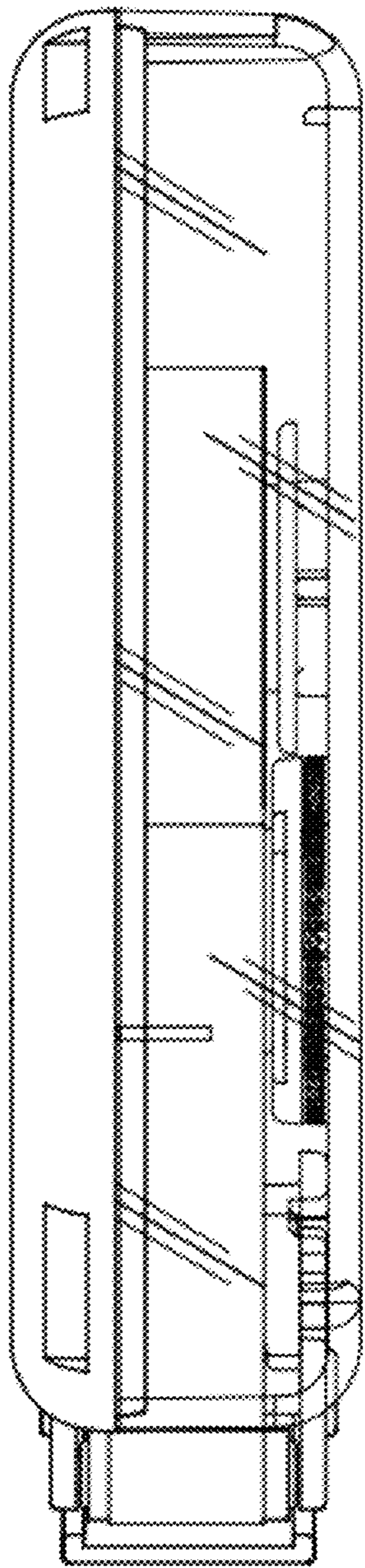


FIG. 4

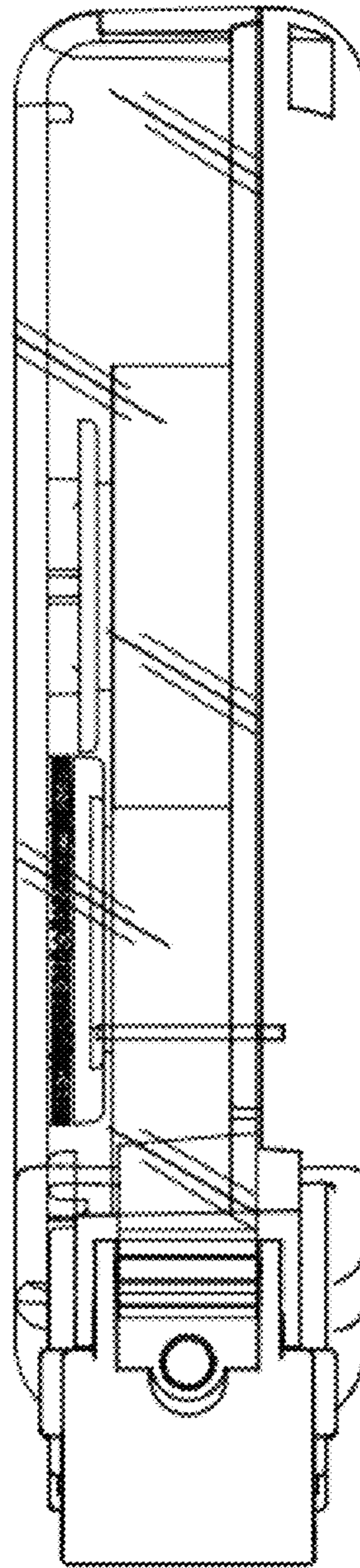


FIG. 5

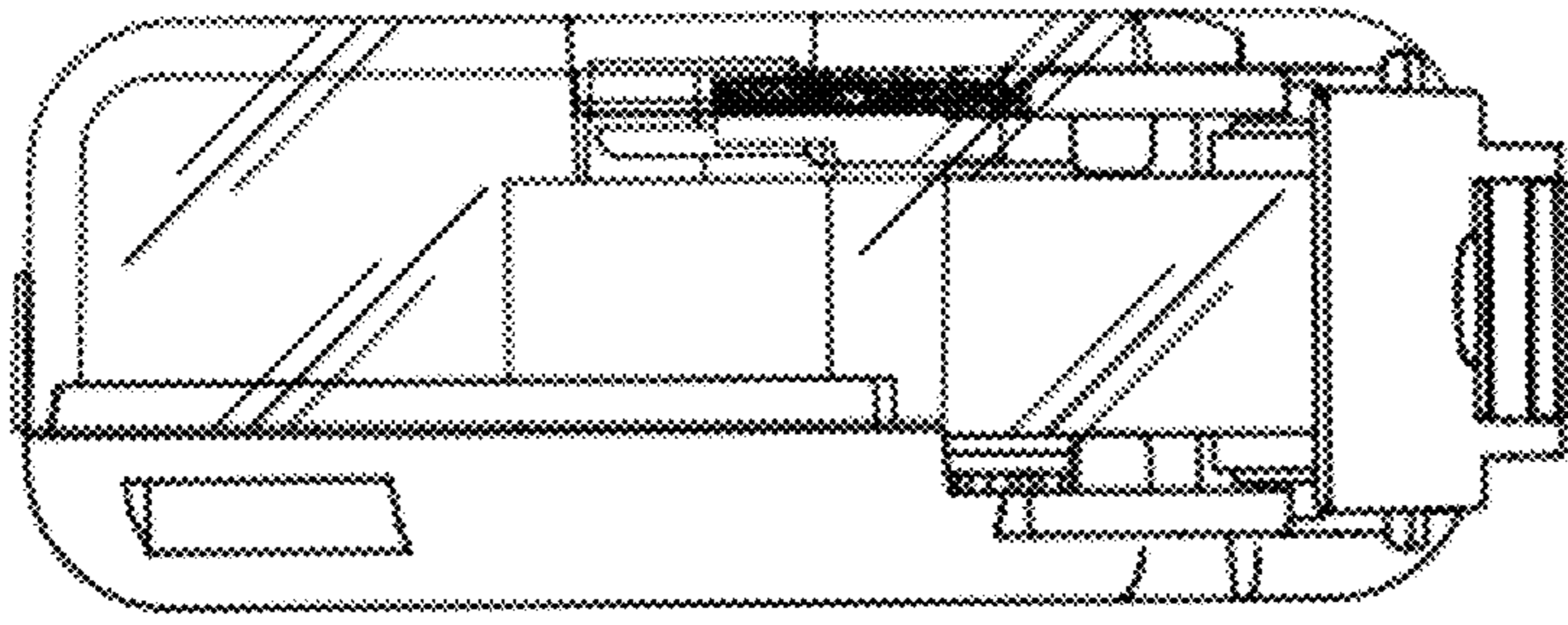


FIG. 7

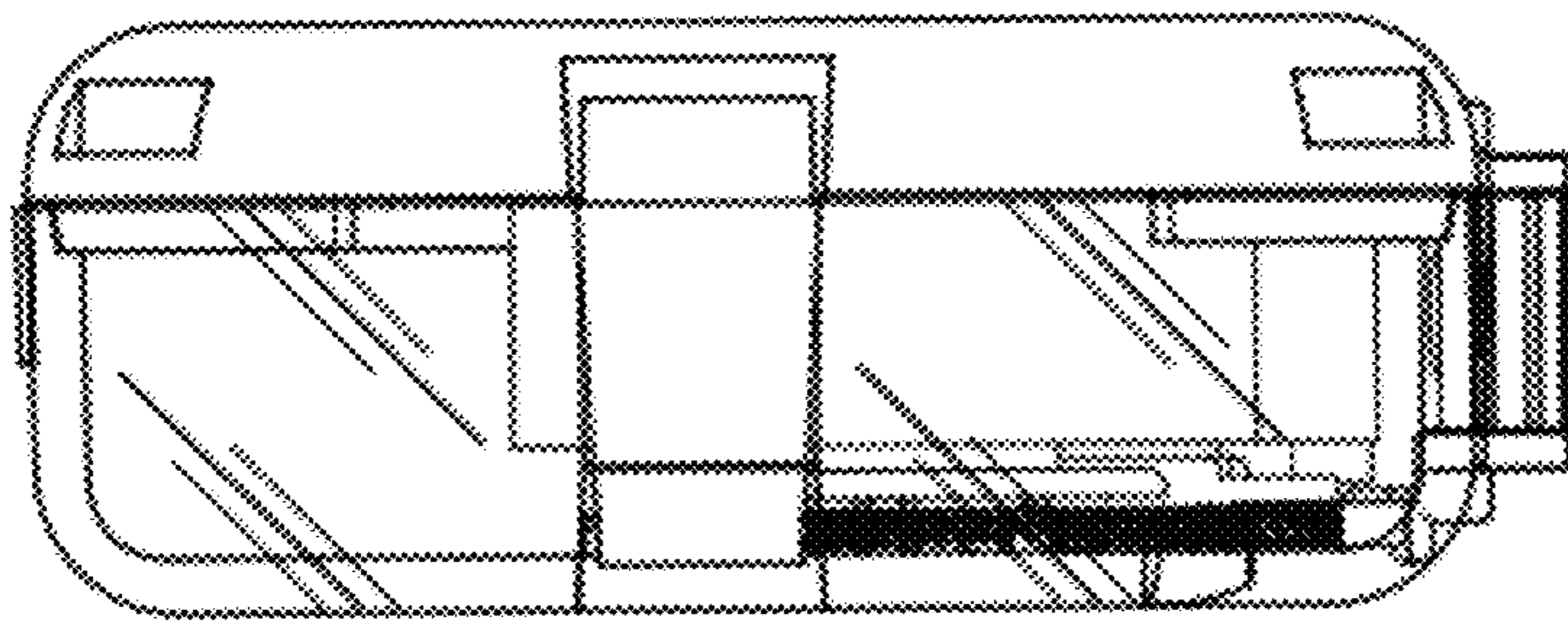


FIG. 6

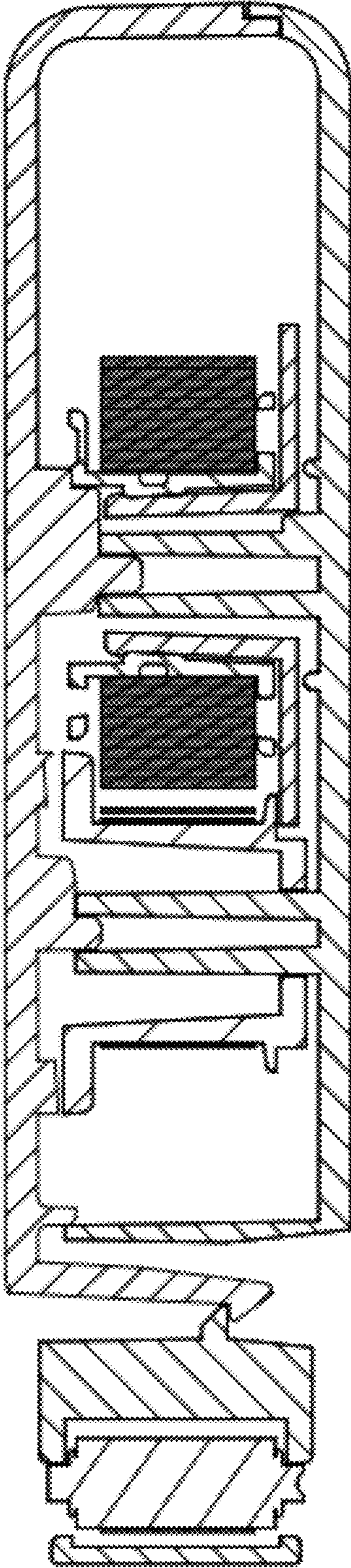


FIG. 8

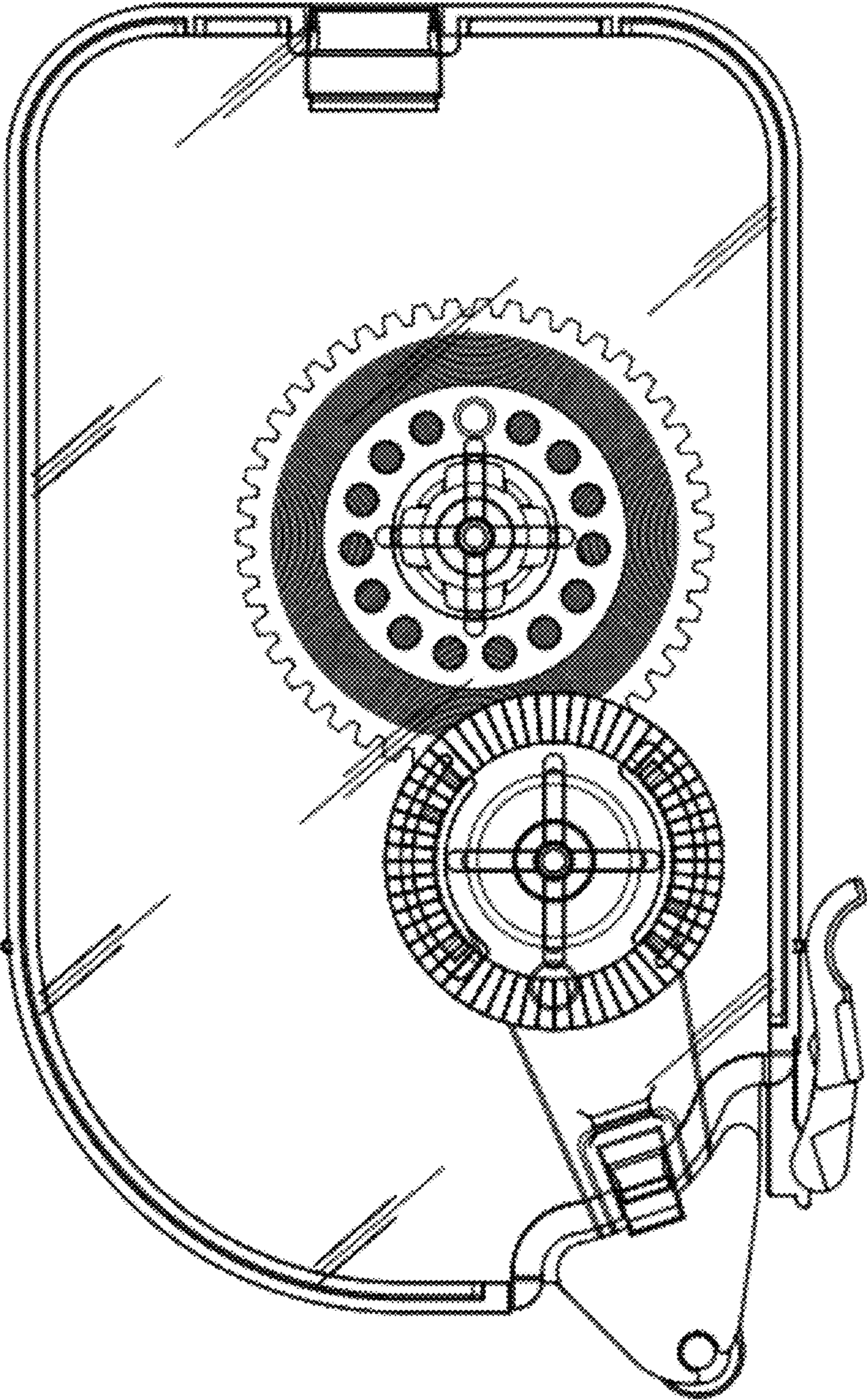


FIG.9