



US00D659762S

(12) **United States Design Patent**  
**Matsushita et al.**

(10) **Patent No.:** **US D659,762 S**

(45) **Date of Patent:** **\*\* May 15, 2012**

(54) **CARTRIDGE FOR COATING FILM  
TRANSFER TOOL**

(75) Inventors: **Kinya Matsushita**, Osaka (JP); **Hideto  
Shima**, Kyoto (JP)

(73) Assignee: **Kokuyo Co., Ltd.**, Osaka (JP)

(\*\*) Term: **14 Years**

(21) Appl. No.: **29/387,014**

(22) Filed: **Mar. 8, 2011**

(30) **Foreign Application Priority Data**

Sep. 8, 2010 (JP) ..... 2010-021688

(51) **LOC (9) Cl.** ..... **19-02**

(52) **U.S. Cl.** ..... **D19/69**

(58) **Field of Classification Search** ..... D19/66,  
D19/67, 68, 69, 70; 156/523, 257, 540, 577;  
206/411; 225/6, 25, 39, 77; 242/588, 588.1,  
242/588.2, 588.3, 588.6, 5

See application file for complete search history.

(56) **References Cited**

**U.S. PATENT DOCUMENTS**

D438,251 S \* 2/2001 Katami ..... D19/69  
D476,368 S \* 6/2003 Suzuki ..... D19/69

D476,369 S \* 6/2003 Suzuki ..... D19/69  
D492,730 S \* 7/2004 Suzuki ..... D19/69  
D506,508 S \* 6/2005 Shimizu et al. .... D19/69  
D555,201 S \* 11/2007 Rushe et al. .... D19/69  
D567,860 S \* 4/2008 Rushe et al. .... D19/69  
D577,384 S \* 9/2008 Lin ..... D19/69  
D620,527 S \* 7/2010 Suzuki ..... D19/69  
D652,082 S \* 1/2012 Wu ..... D19/69  
D652,870 S \* 1/2012 Wu ..... D19/69

\* cited by examiner

*Primary Examiner* — Austin Murphy

(74) *Attorney, Agent, or Firm* — Dennis R. Haszko

(57) **CLAIM**

The ornamental design for a cartridge for coating film transfer tool, as shown and described.

**DESCRIPTION**

FIG. 1 is front view of the cartridge for coating film transfer tool;

FIG. 2 is a rear view thereof;

FIG. 3 is a top view thereof;

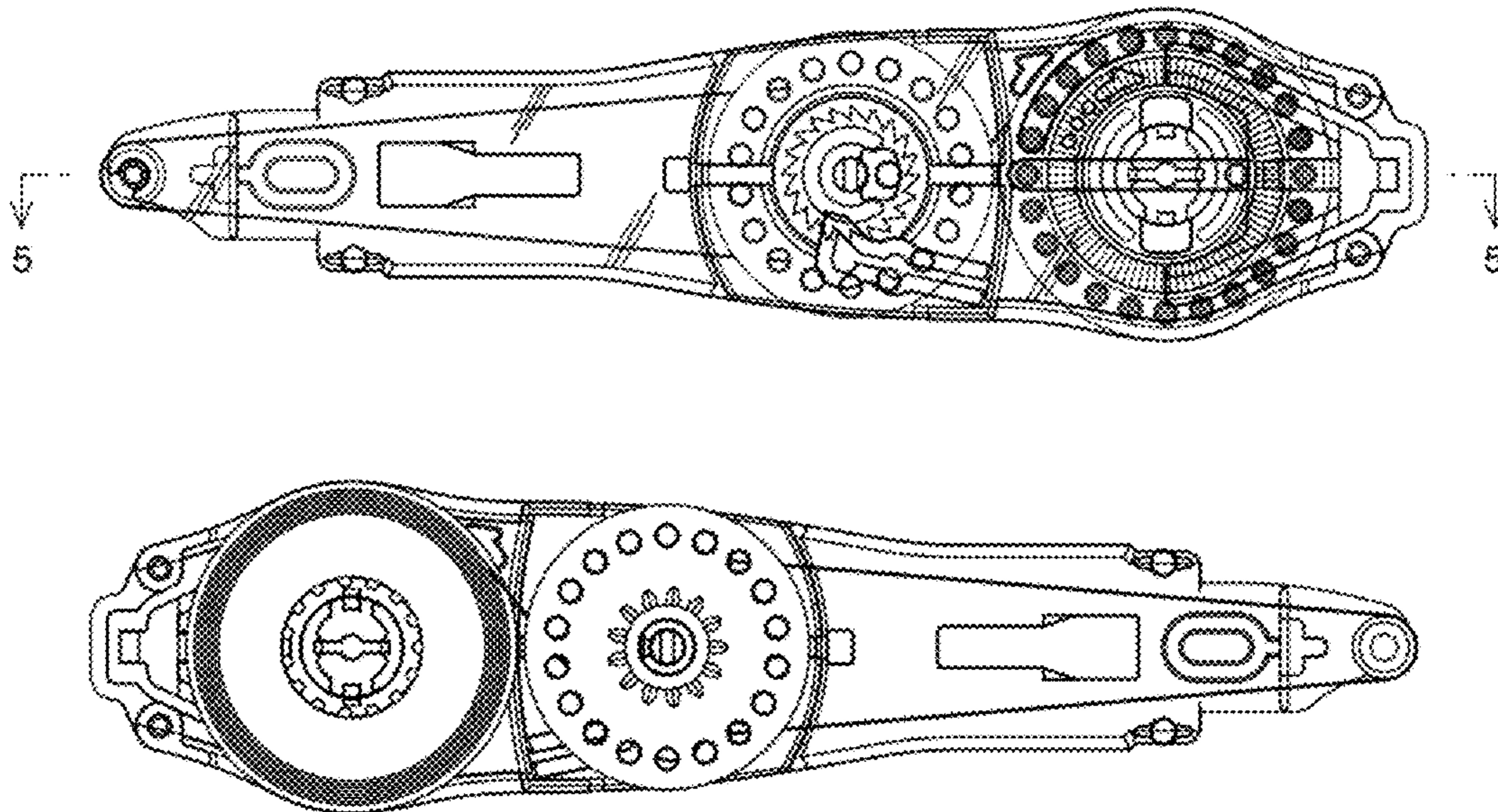
FIG. 4 is a bottom view thereof;

FIG. 5 is a sectional view thereof taken along line 5-5 of FIG. 1;

FIG. 6 is a right side view thereof; and,

FIG. 7 is a left side view thereof.

**1 Claim, 4 Drawing Sheets**



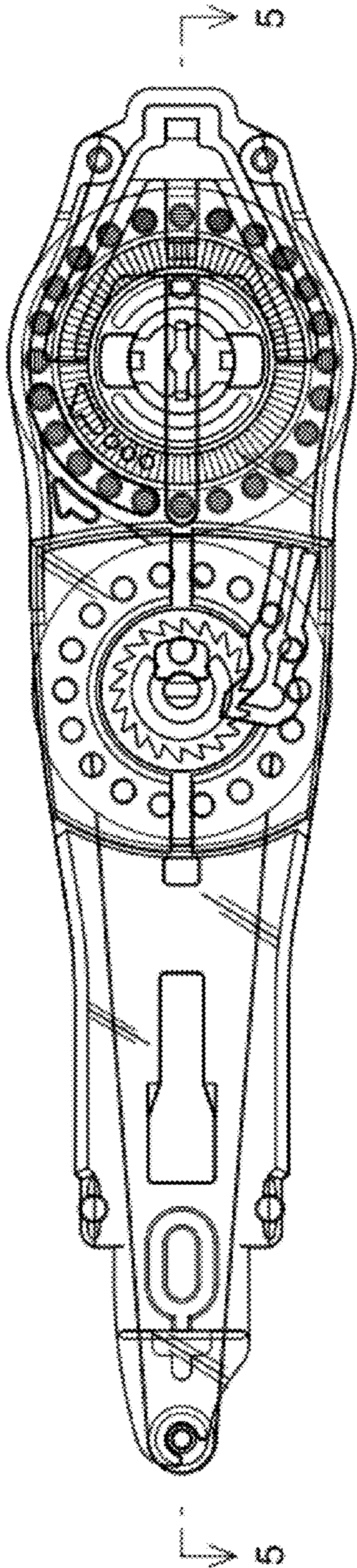


FIG.1

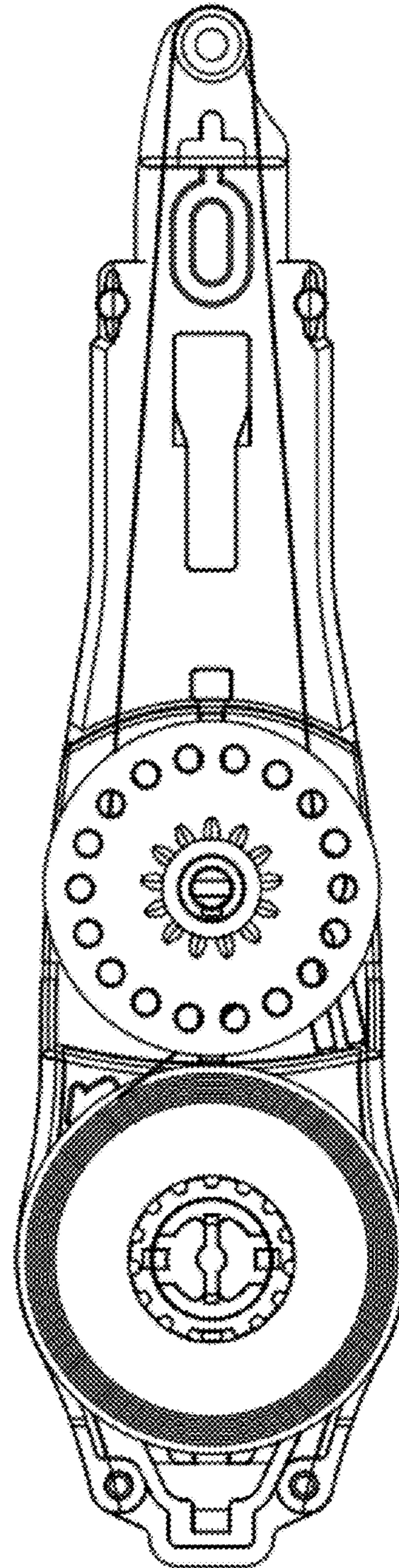


FIG.2

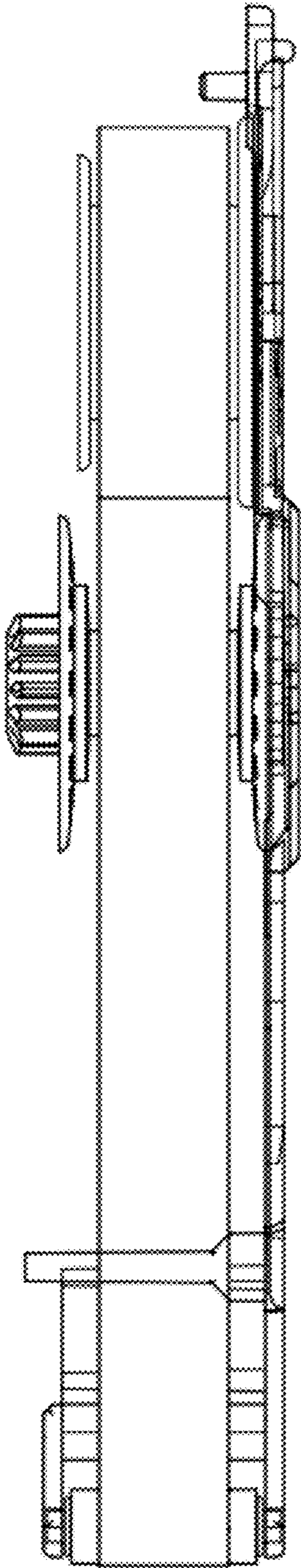


FIG. 3

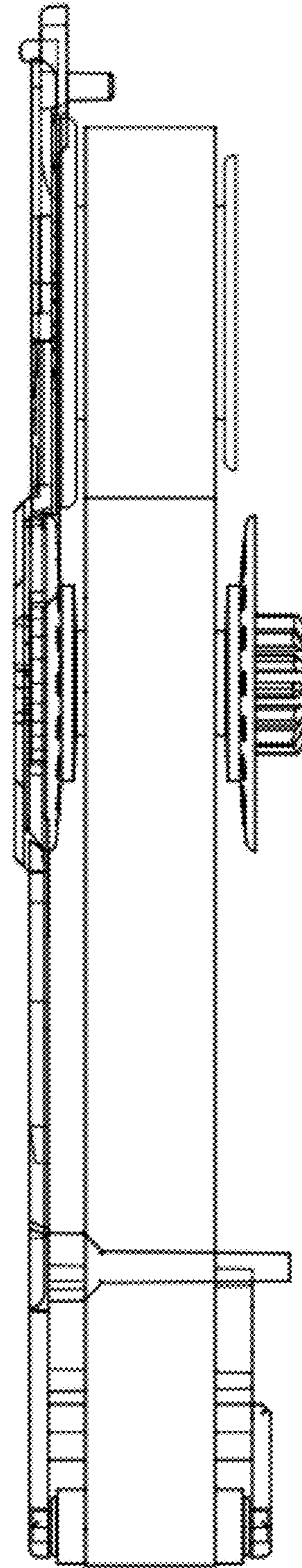


FIG. 4

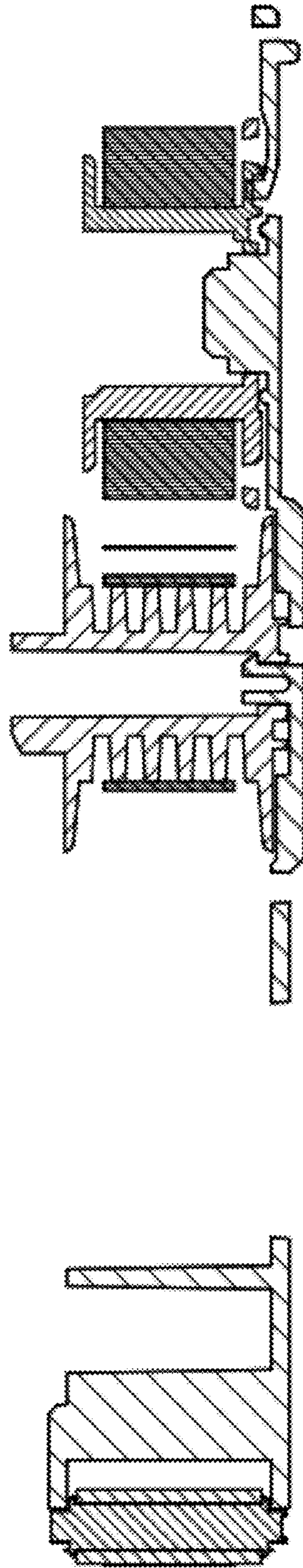


FIG.5

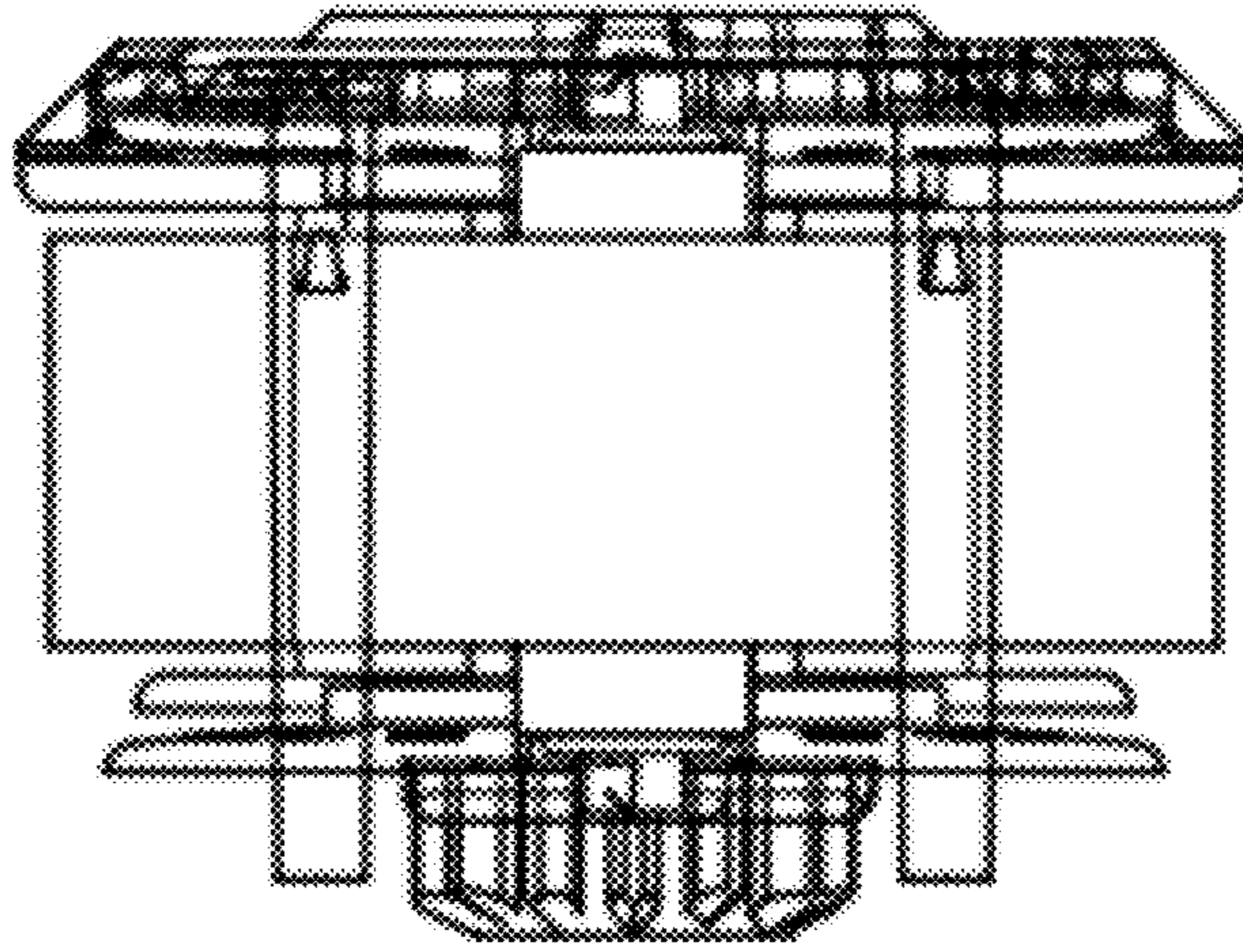


FIG. 7

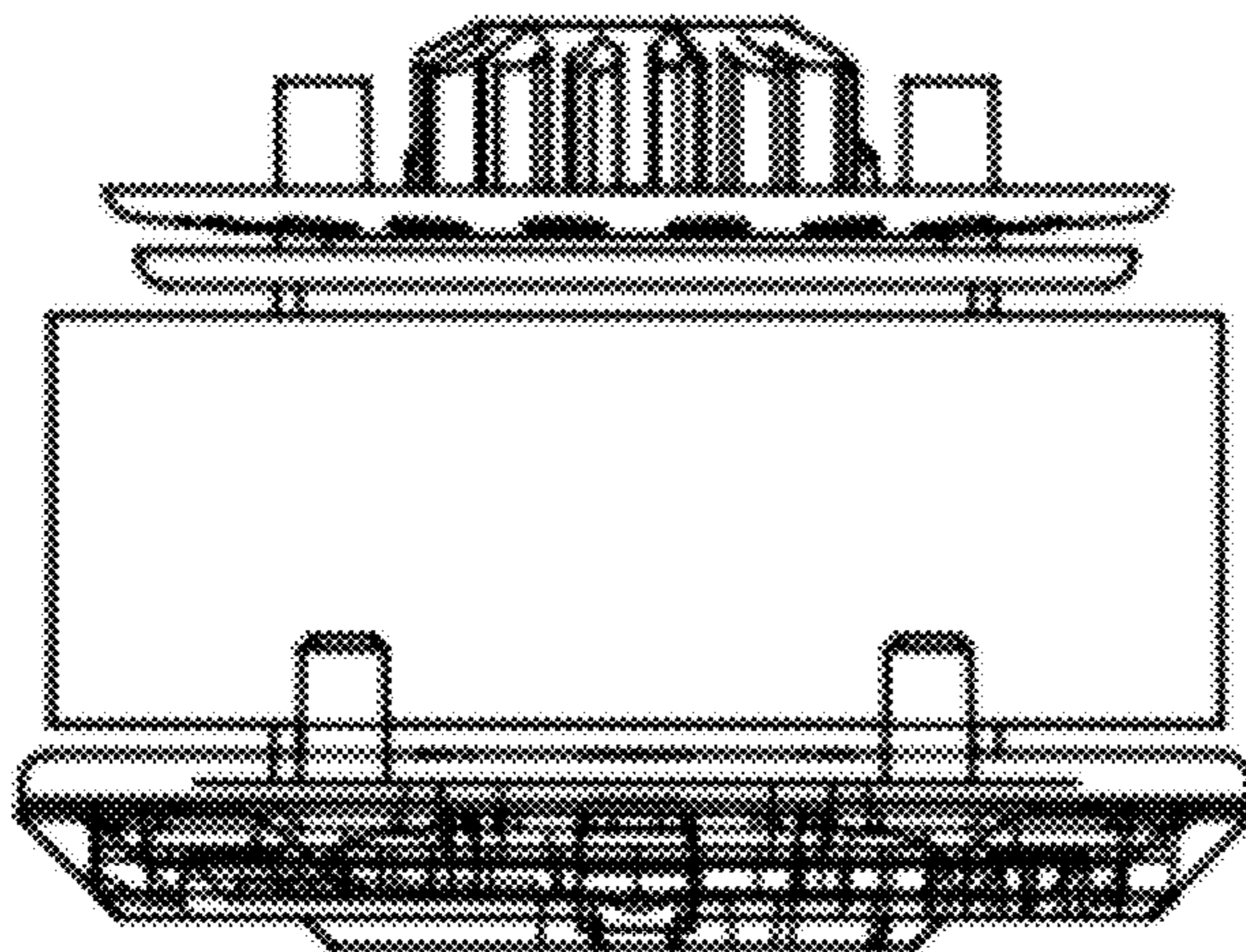


FIG. 6