



US00D659761S

(12) **United States Design Patent**  
**Matsushita et al.**

(10) **Patent No.:** **US D659,761 S**

(45) **Date of Patent:** **\*\* May 15, 2012**

(54) **COATING FILM TRANSFER TOOL**

(75) Inventors: **Kinya Matsushita**, Osaka (JP); **Hideto Shima**, Kyoto (JP)

(73) Assignee: **Kokuyo Co., Ltd.**, Osaka (JP)

(\*\*) Term: **14 Years**

(21) Appl. No.: **29/387,008**

(22) Filed: **Mar. 8, 2011**

(30) **Foreign Application Priority Data**

Sep. 8, 2010 (JP) ..... 2010-021686

(51) **LOC (9) Cl.** ..... **19-02**

(52) **U.S. Cl.** ..... **D19/69**

(58) **Field of Classification Search** ..... D19/66,  
D19/67, 68, 69, 70; 156/523, 257, 540, 577;  
206/411; 225/6, 25, 39, 77; 242/588, 588.1,  
242/588.2, 588.3, 588.6, 5

See application file for complete search history.

(56) **References Cited**

**U.S. PATENT DOCUMENTS**

D506,508 S *	6/2005	Shimizu et al.	.....	D19/69
D544,544 S *	6/2007	Wu	.....	D19/69
D547,804 S *	7/2007	Wu	.....	D19/69
D577,384 S *	9/2008	Lin	.....	D19/69
D581,466 S *	11/2008	Lin	.....	D19/69
D615,126 S *	5/2010	Syal	.....	D19/69

D620,526 S *	7/2010	Suzuki	.....	D19/69
D636,025 S *	4/2011	Kouda	.....	D19/69
D650,860 S *	12/2011	Wu	.....	D19/69
2005/0056376 A1 *	3/2005	Marschand et al.	.....	156/540
2006/0257195 A1 *	11/2006	Chen	.....	400/697
2008/0173406 A1 *	7/2008	Wu	.....	156/540
2010/0288193 A1 *	11/2010	Wu	.....	118/76

**FOREIGN PATENT DOCUMENTS**

JP	D1206473 S	5/2004
JP	D1358815 S	5/2009

\* cited by examiner

*Primary Examiner* — Austin Murphy

(74) *Attorney, Agent, or Firm* — Dennis R. Haszko

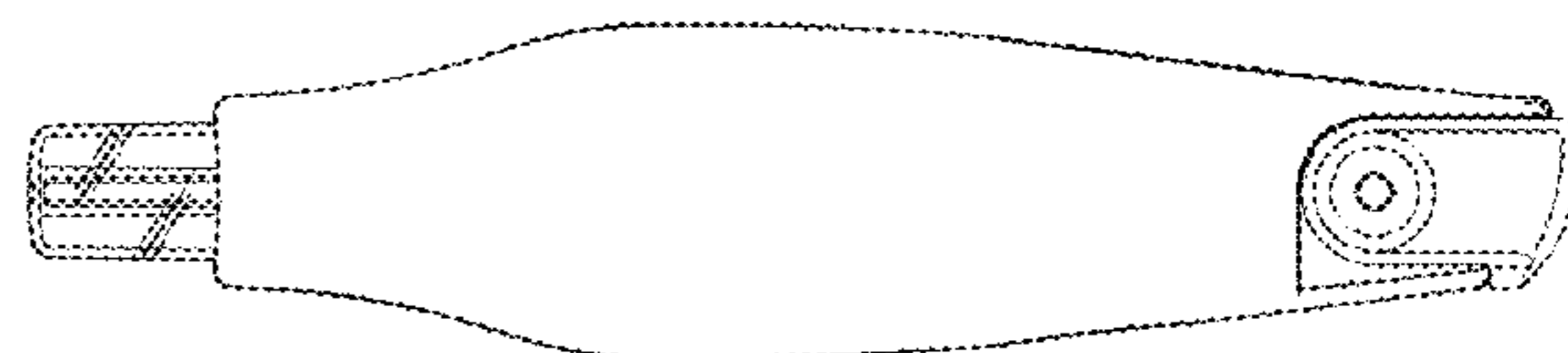
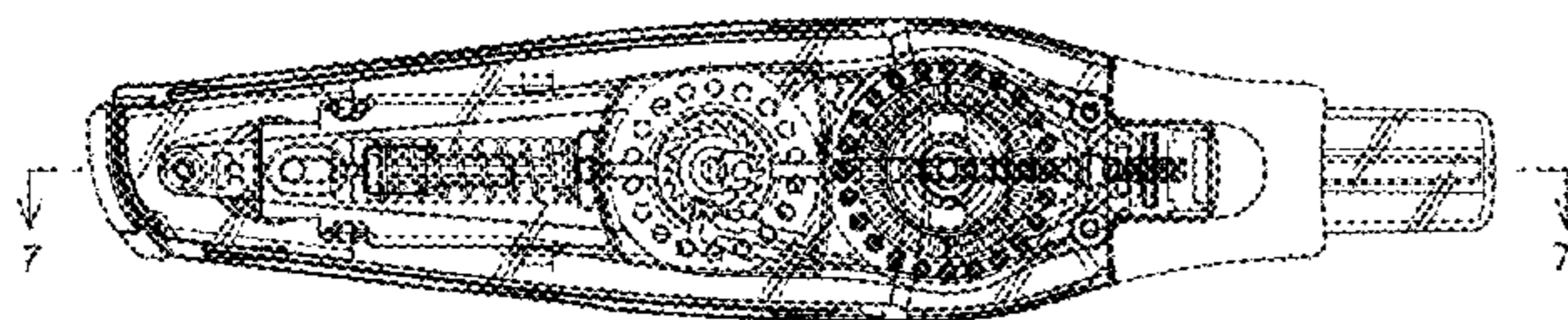
(57) **CLAIM**

The ornamental design for a coating film transfer tool, as shown and described.

**DESCRIPTION**

FIG. 1 is front view of the coating film transfer tool;  
FIG. 2 is a rear view thereof;  
FIG. 3 is a top view thereof;  
FIG. 4 is a bottom view thereof;  
FIG. 5 is a right side view thereof;  
FIG. 6 is a left side view thereof;  
FIG. 7 is a sectional view thereof taken along line 7-7 of FIG. 1; and,  
FIG. 8 is a front view showing the head portion with the head cover opened.

**1 Claim, 4 Drawing Sheets**



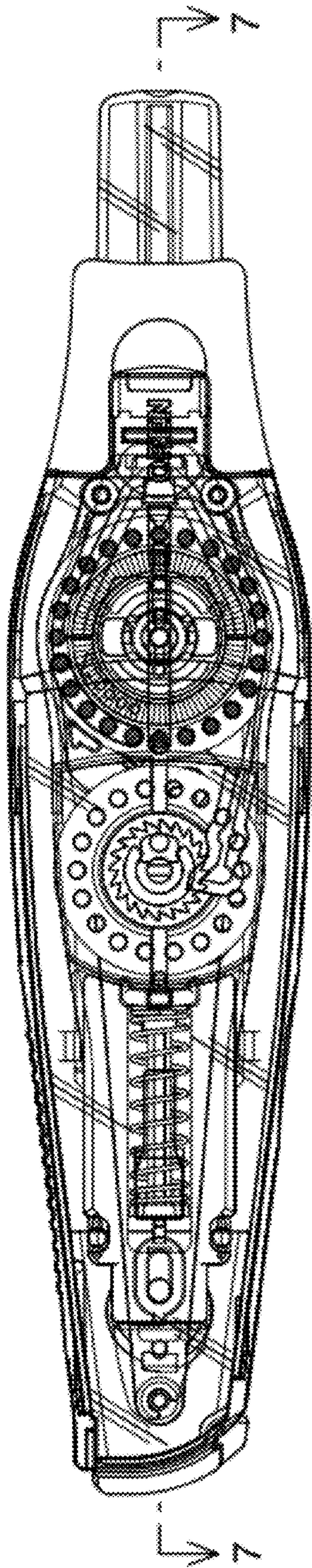


FIG. 1

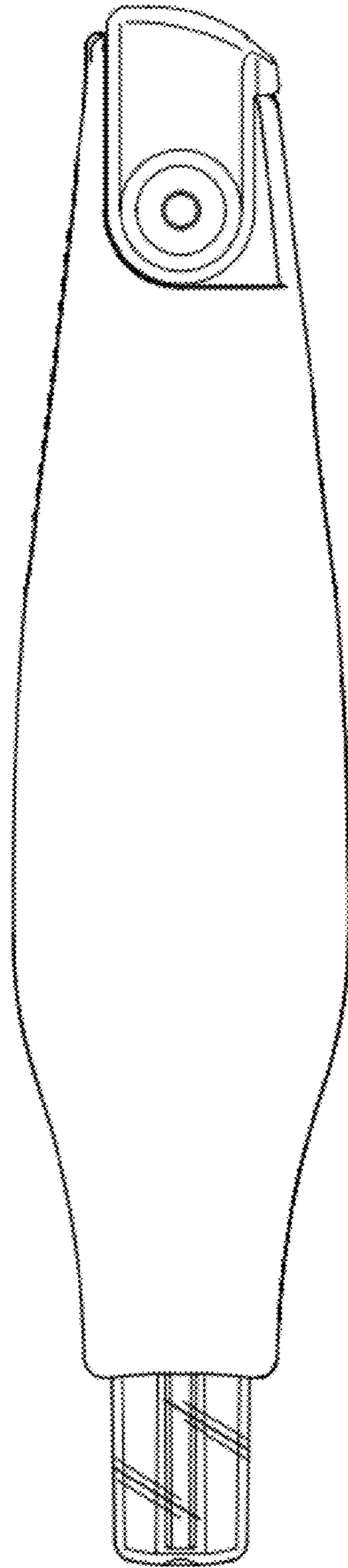


FIG. 2

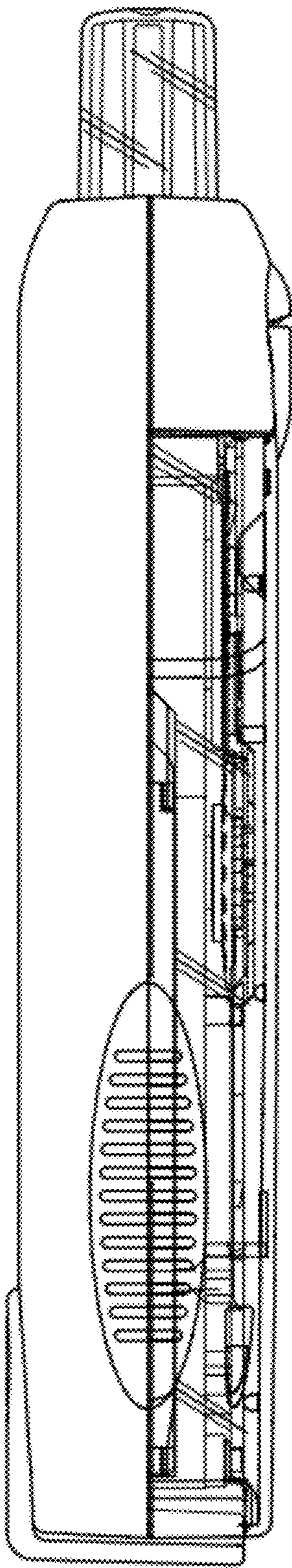


FIG. 3

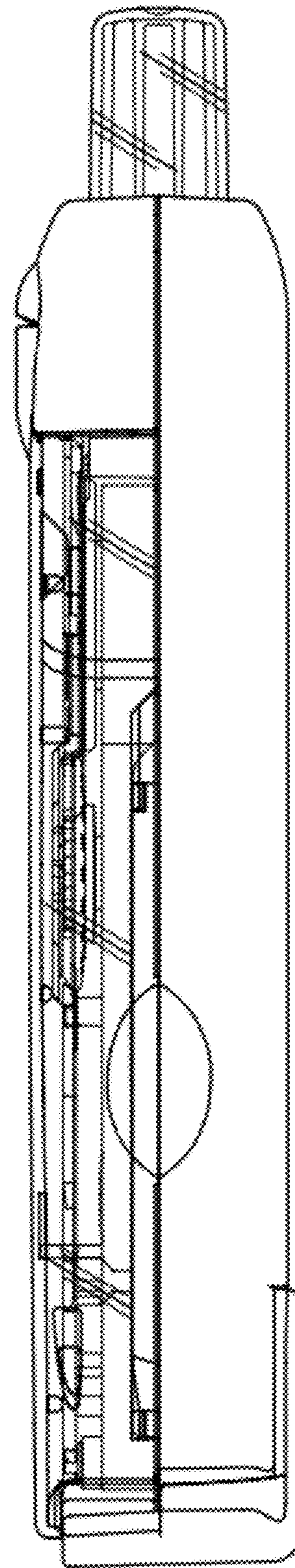


FIG. 4

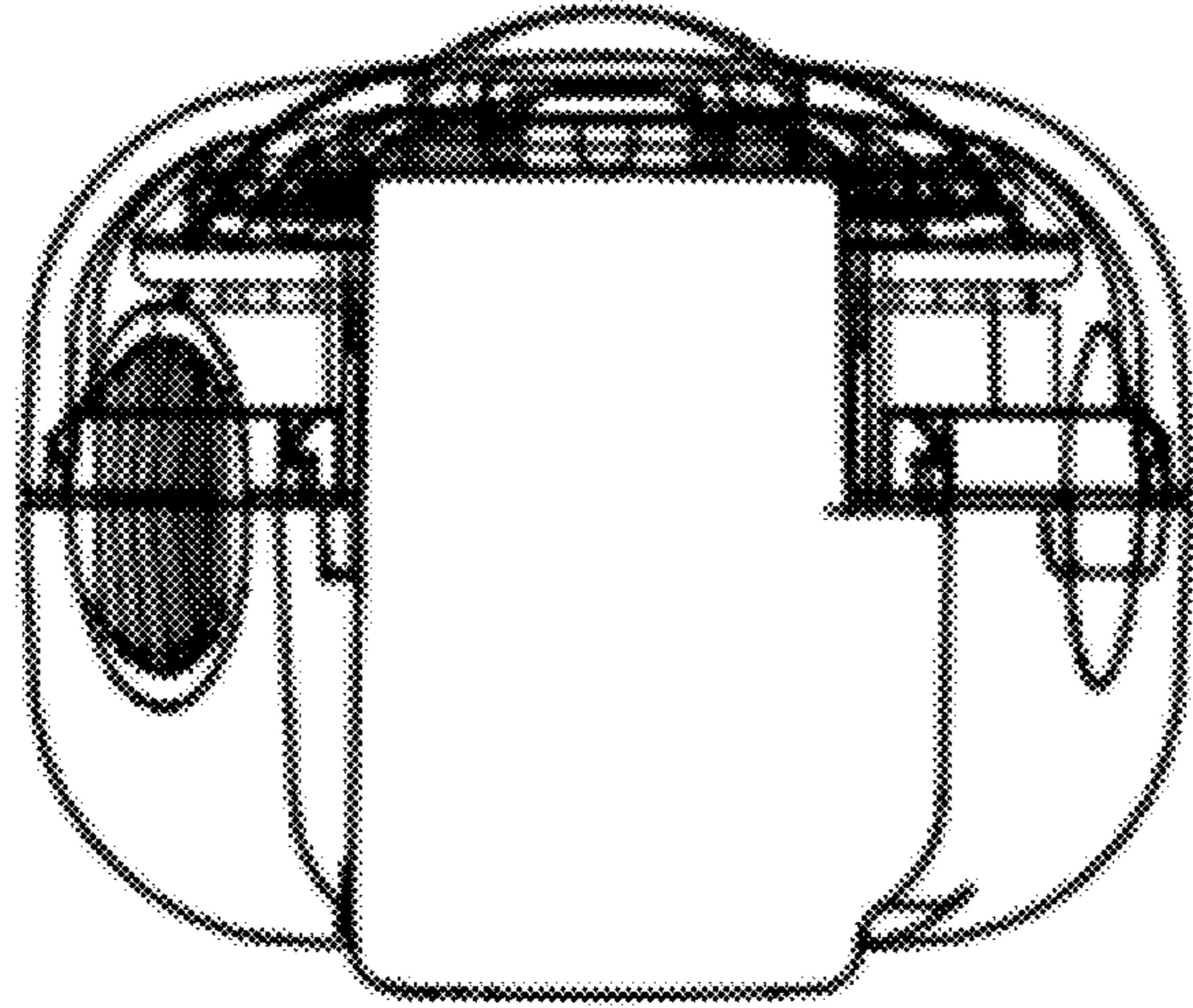


FIG. 6

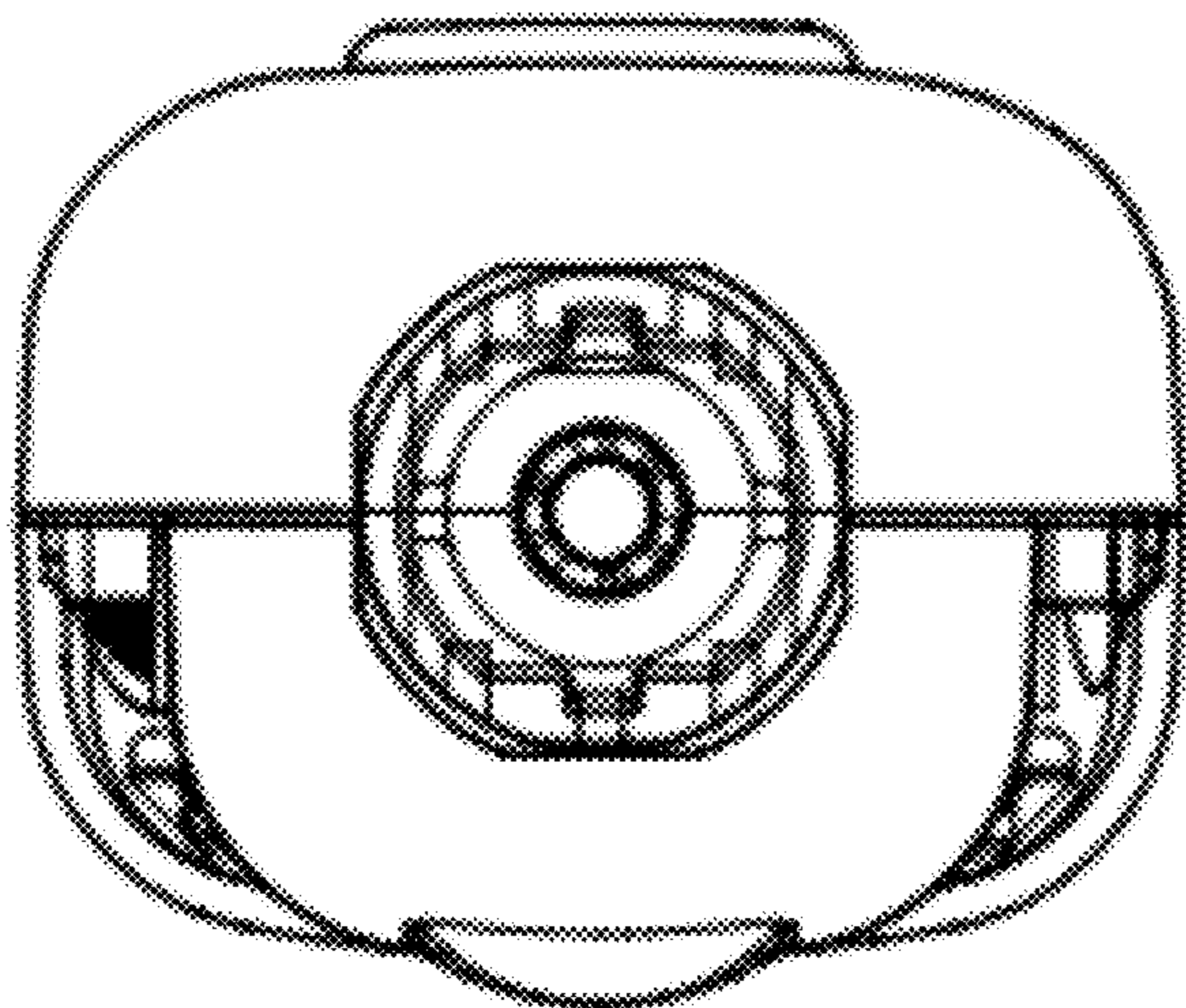


FIG. 5

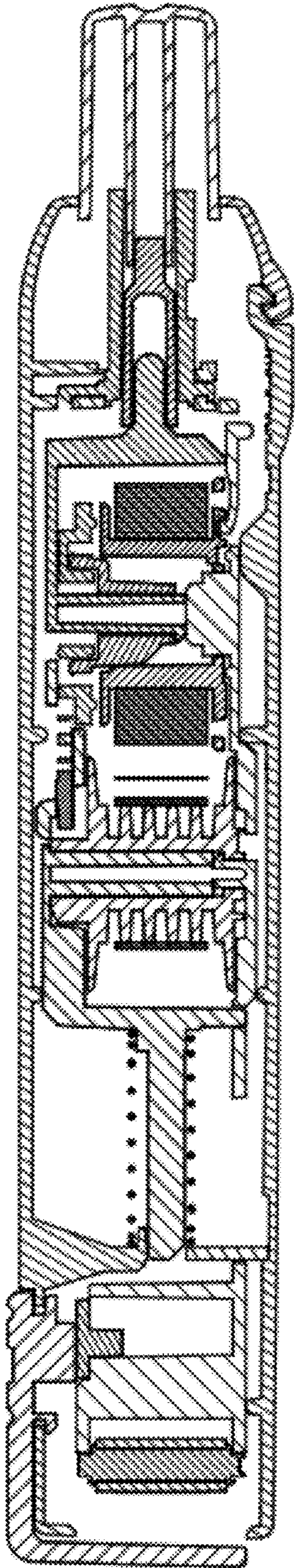


FIG. 7

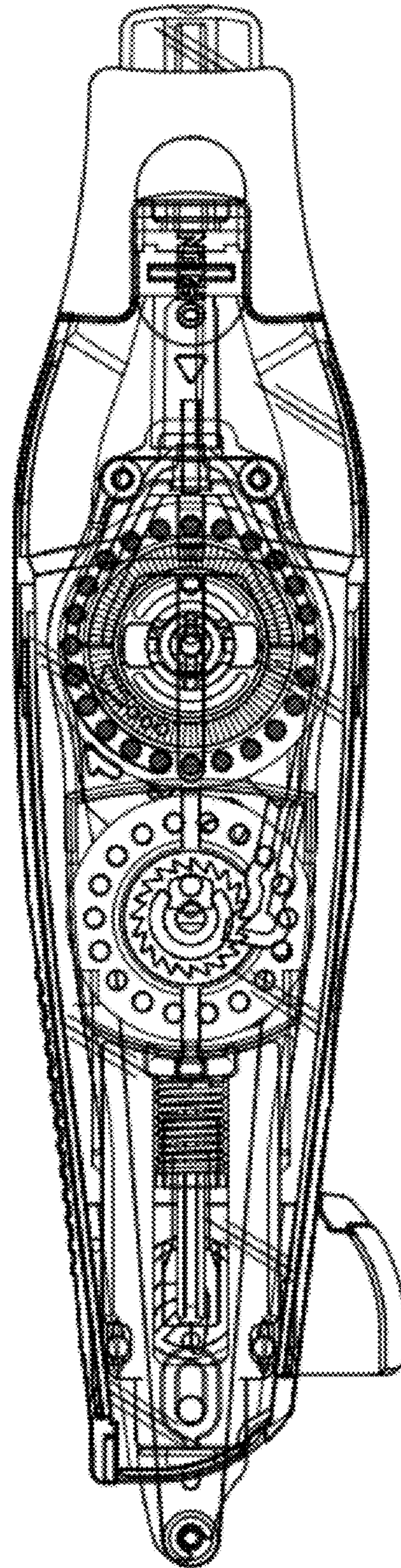


FIG. 8