

US00D659760S

(12) **United States Design Patent**  
**Zhang**

(10) **Patent No.:** **US D659,760 S**

(45) **Date of Patent:** **\*\* May 15, 2012**

(54) **PEN**

(75) Inventor: **Binhui Zhang**, Ningbo (CN)

(73) Assignee: **Beifa Group Co., Ltd.**, Ningbo (CN)

(\*\*) Term: **14 Years**

(21) Appl. No.: **29/386,407**

(22) Filed: **Feb. 28, 2011**

(30) **Foreign Application Priority Data**

Sep. 1, 2010 (CN) ..... 2010 3 0503989

(51) **LOC (9) Cl.** ..... **19-06**

(52) **U.S. Cl.** ..... **D19/51**

(58) **Field of Classification Search** ..... D19/35,  
D19/36, 41-51, 54-58; 24/11 R, 11 F, 11 P;  
401/52, 99, 100-109, 192, 195, 196; D14/411  
See application file for complete search history.

(56) **References Cited**

U.S. PATENT DOCUMENTS

D104,543 S	5/1937	Pearce
D162,213 S	2/1951	Nelson
D162,805 S	4/1951	Ferber
D303,990 S	10/1989	Petterson
D327,707 S	7/1992	Katami
D340,476 S	10/1993	Hiromori
D366,498 S	1/1996	Abe
D436,127 S	1/2001	Hung

D452,271 S	*	12/2001	Owen et al. ....	D19/43
D483,067 S		12/2003	Takanashi	
D484,186 S		12/2003	Monti	
D504,153 S		4/2005	Yang	
D552,675 S		10/2007	Zhang	
D576,677 S		9/2008	Jeon	
D579,496 S	*	10/2008	Qiu et al. ....	D19/48
D602,083 S		10/2009	Ma	
D602,088 S		10/2009	Ma	
D616,025 S		5/2010	Yan	
D618,724 S	*	6/2010	Gerules et al. ....	D19/51
D619,651 S	*	7/2010	Zhang	D19/51
D641,404 S	*	7/2011	Nishida	D19/47
D641,783 S	*	7/2011	Lira-Nunez et al. ....	D19/48

\* cited by examiner

*Primary Examiner* — Elizabeth Albert

(74) *Attorney, Agent, or Firm* — Christensen O'Connor Johnson Kindness PLLC

(57) **CLAIM**

The ornamental design for a pen, as shown and described.

**DESCRIPTION**

FIG. 1 is an upper front left perspective view of a pen showing my new design;

FIG. 2 is a right side elevation view thereof, with the left side elevation view being a mirror image of the right side elevation view;

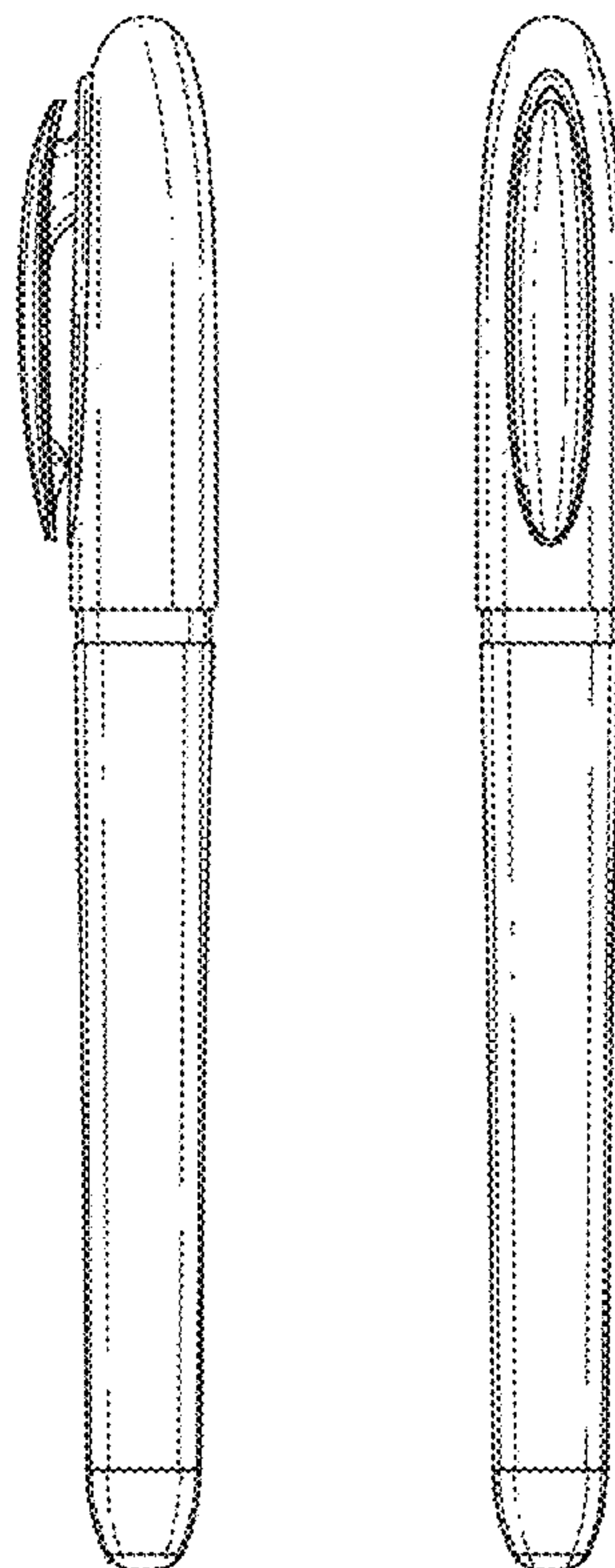
FIG. 3 is a front elevation view thereof;

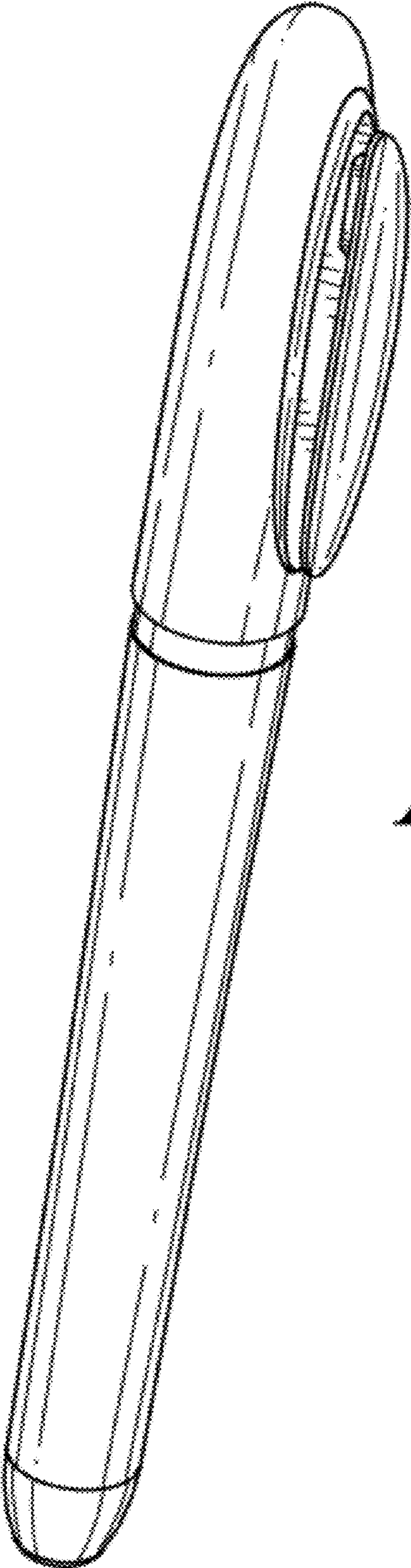
FIG. 4 is a rear elevation view thereof;

FIG. 5 is an enlarged top plan view thereof; and,

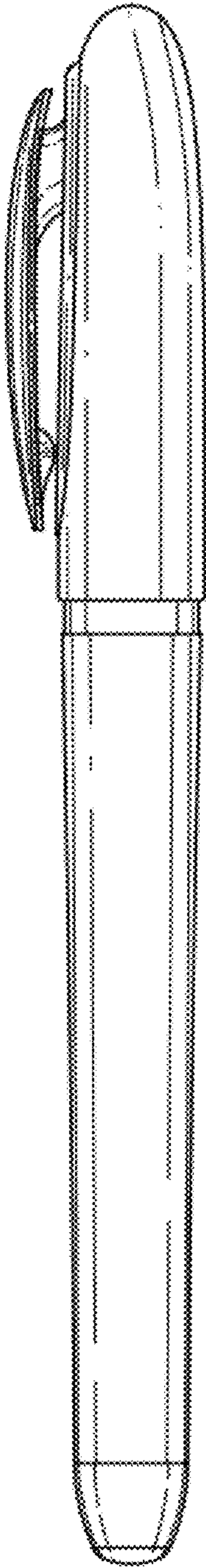
FIG. 6 is an enlarged bottom plan view thereof.

**1 Claim, 3 Drawing Sheets**

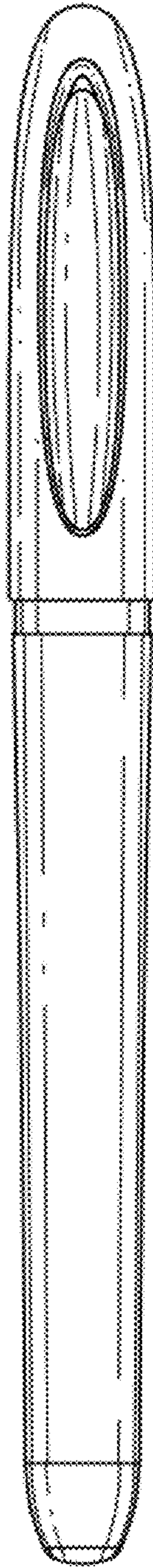




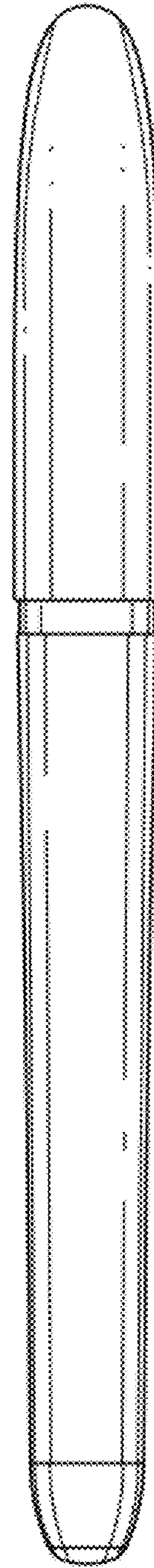
*Fig. 1.*



*Fig. 2.*

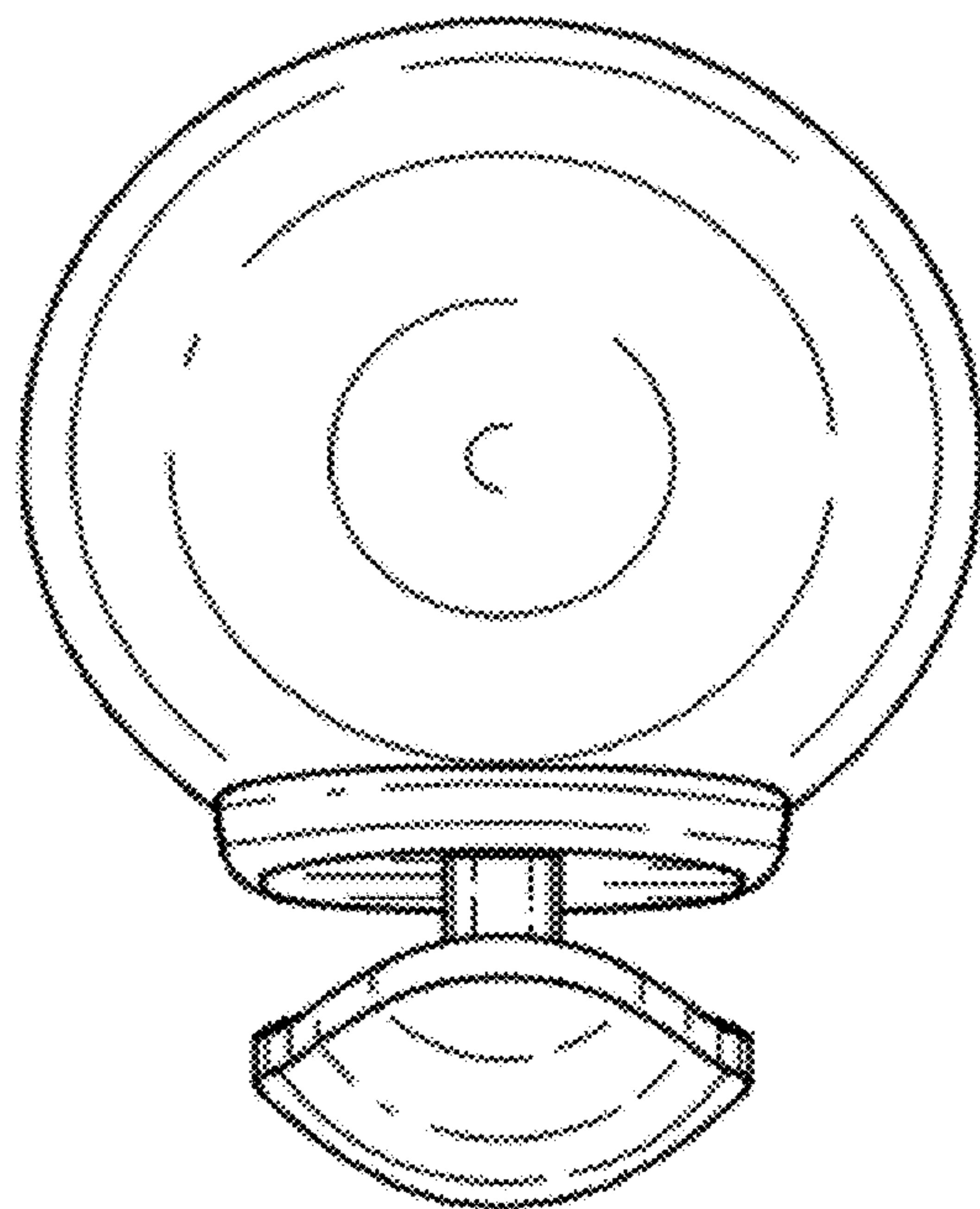


*Fig. 3.*

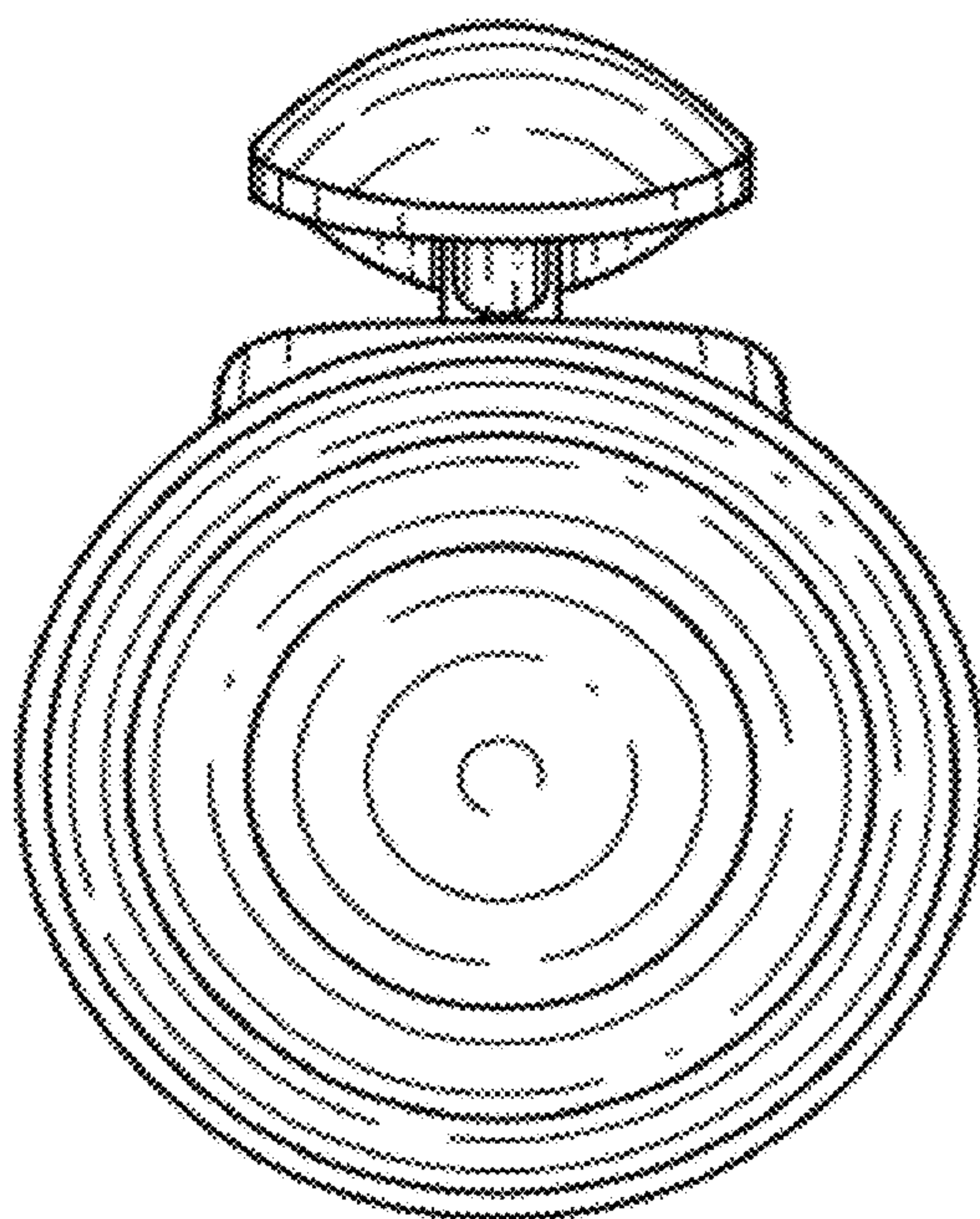


*Fig. 4.*





*Fig. 5.*



*Fig. 6.*