



US00D659759S

(12) **United States Design Patent**  
**Zhang**

(10) **Patent No.:** **US D659,759 S**

(45) **Date of Patent:** **\*\* May 15, 2012**

(54) **PEN**

(75) Inventor: **Binhui Zhang**, Ningbo (CN)

(73) Assignee: **Beifa Group Co., Ltd.**, Ningbo (CN)

(\*\*) Term: **14 Years**

(21) Appl. No.: **29/386,559**

(22) Filed: **Mar. 2, 2011**

(30) **Foreign Application Priority Data**

Sep. 2, 2010 (CN) ..... 2010 3 0512546

(51) **LOC (9) Cl.** ..... **19-06**

(52) **U.S. Cl.** ..... **D19/50**

(58) **Field of Classification Search** ..... D19/35,  
D19/36, 41-51, 54-58; 24/11 R, 11 F, 11 P;  
401/52, 99, 100-109, 192, 195, 196; D14/411  
See application file for complete search history.

(56) **References Cited**

**U.S. PATENT DOCUMENTS**

D303,990 S	10/1989	Petterson	
D340,476 S	10/1993	Hirromori	
D366,498 S	1/1996	Abe	
D436,127 S	1/2001	Hung	
D452,878 S *	1/2002	Candelora et al.	D19/43
D454,586 S	3/2002	Qiu	
D458,305 S	6/2002	Iwase	
D482,068 S	11/2003	Koch	
D484,190 S *	12/2003	Cooper et al.	D19/57
D487,770 S *	3/2004	Hwang	D19/43
D487,771 S *	3/2004	Hwang	D19/43
D489,087 S *	4/2004	Kent	D19/43
D499,138 S *	11/2004	Banderet	D19/43
D521,555 S *	5/2006	Santa Maria et al.	D19/50
D530,745 S *	10/2006	Kent et al.	D19/43
D534,586 S *	1/2007	Togawa	D19/50
D547,802 S *	7/2007	Jeon	D19/43
D549,775 S *	8/2007	Kent et al.	D19/48
D570,414 S	6/2008	Qiu	

D575,821 S *	8/2008	Tan	D19/50
D587,752 S *	3/2009	Shimizu	D19/50
D612,426 S *	3/2010	Suero et al.	D19/41
D616,499 S	5/2010	Liu	
D622,771 S *	8/2010	Casciotti et al.	D19/55
D631,913 S *	2/2011	Li	D19/48
D641,788 S *	7/2011	Rolion et al.	D19/50
D642,616 S *	8/2011	Kui	D19/36
D646,327 S *	10/2011	Casciotti et al.	D19/54
D647,961 S *	11/2011	Zhang	D19/43

**OTHER PUBLICATIONS**

Chen, B., "Marker," U.S. Appl. No. 29/384,503, filed Jan. 31, 2011.  
Li, B., "Pen," U.S. Appl. No. 29/382,823, filed Jan. 7, 2011.  
Liang, W., "Marker," U.S. Appl. No. 29/386,816, filed Mar. 4, 2011.  
Liang, W., "Pen," U.S. Appl. No. 29/389,630, filed Apr. 14, 2011.  
Xie, J., "Pen," U.S. Appl. No. 29/389,633, filed Apr. 14, 2011.  
Zhang, B., "Pen," U.S. Appl. No. 29/383,985, filed Jan. 25, 2011.  
Zhang, B., "Pen," U.S. Appl. No. 29/384,510, filed Jan. 31, 2011.

\* cited by examiner

*Primary Examiner* — Elizabeth Albert

(74) *Attorney, Agent, or Firm* — Christensen O'Connor Johnson Kindness PLLC

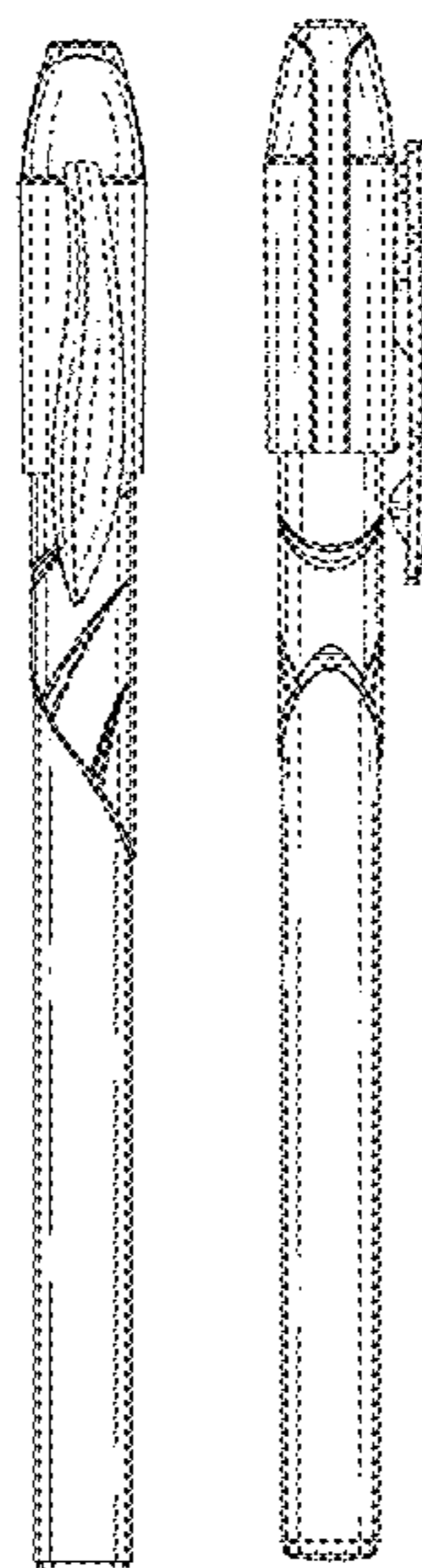
(57) **CLAIM**

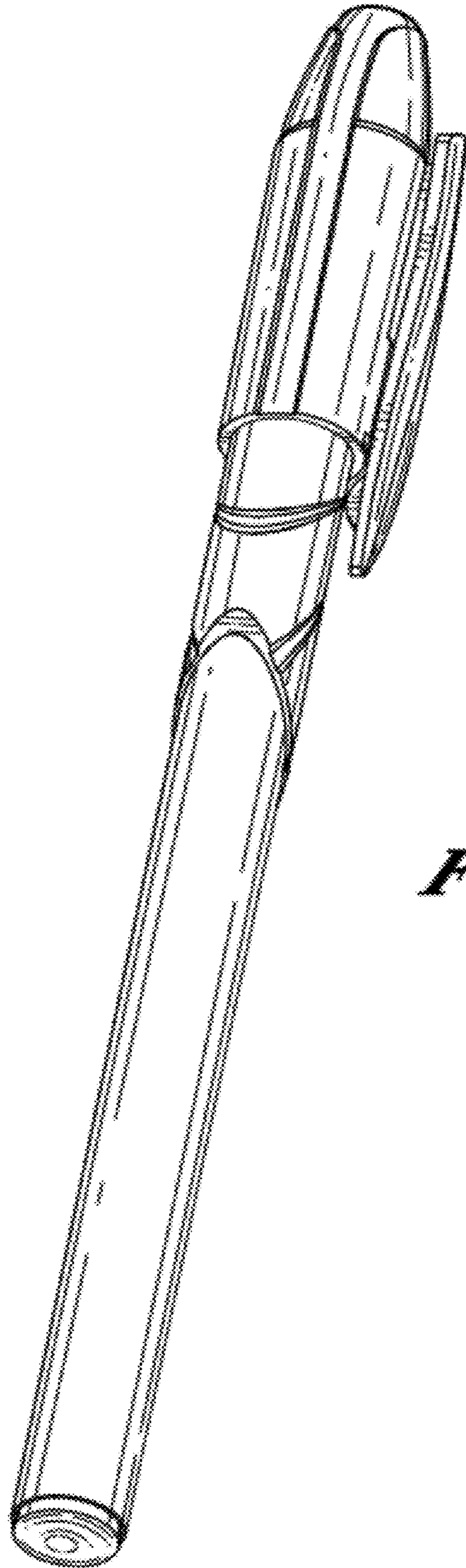
The ornamental design for a pen, as shown and described.

**DESCRIPTION**

FIG. 1 is a lower front left perspective view of a pen showing my new design;  
FIG. 2 is a front elevation view thereof;  
FIG. 3 is an enlarged top plan view thereof;  
FIG. 4 is a rear elevation view thereof;  
FIG. 5 is a right side elevation view thereof;  
FIG. 6 is an enlarged bottom plan view thereof; and,  
FIG. 7 is a left side elevation view thereof.  
The broken lines shown on the top of the pen in FIG. 3 illustrate environment and form no part of the claimed design.

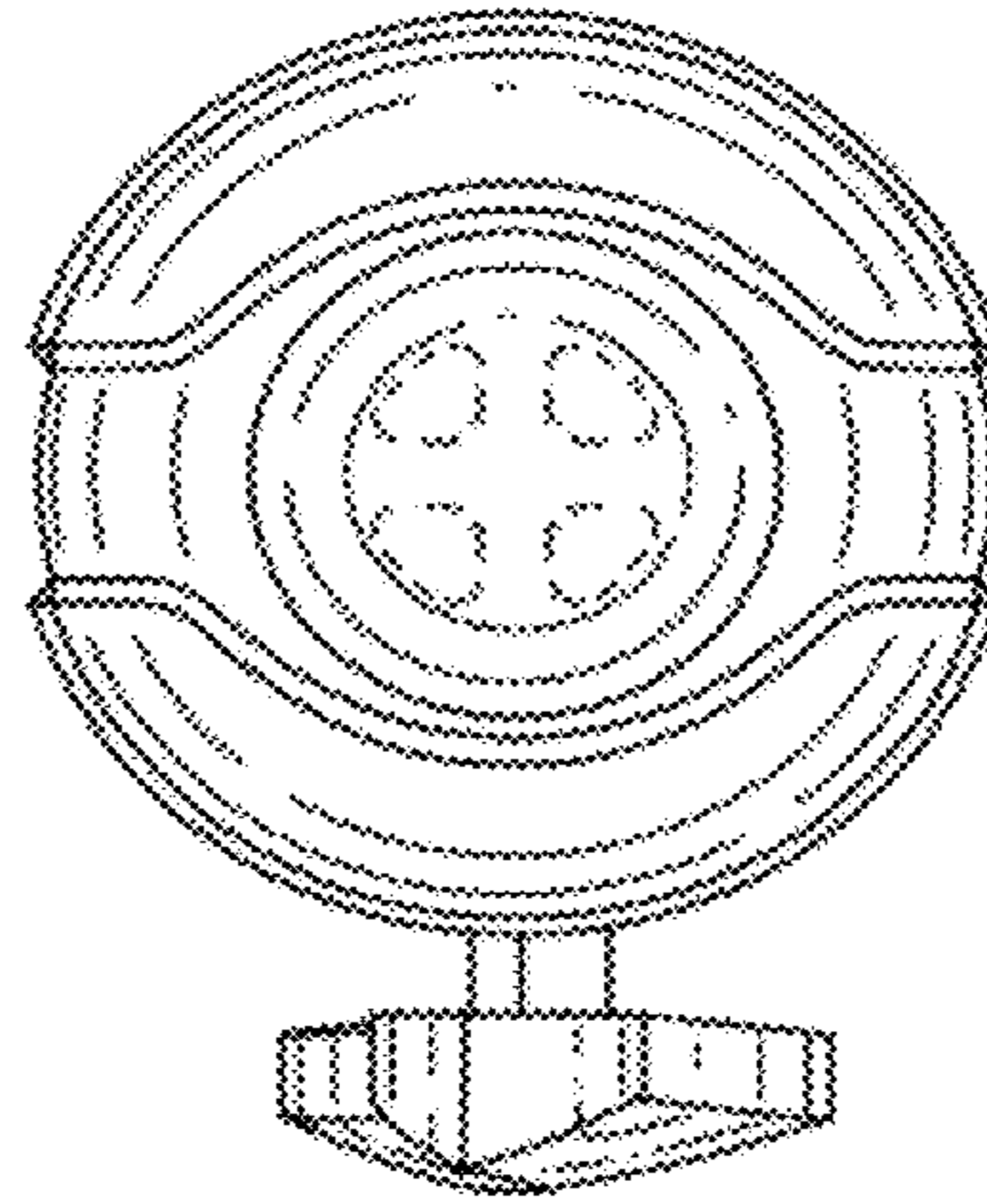
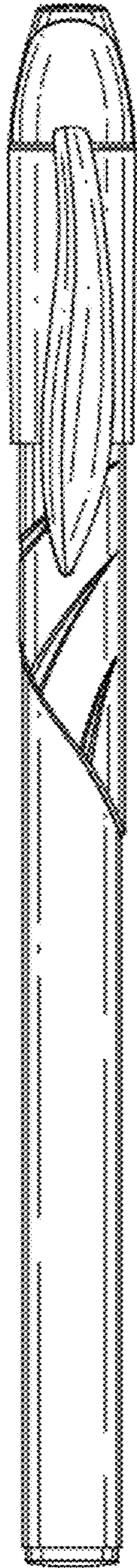
**1 Claim, 3 Drawing Sheets**





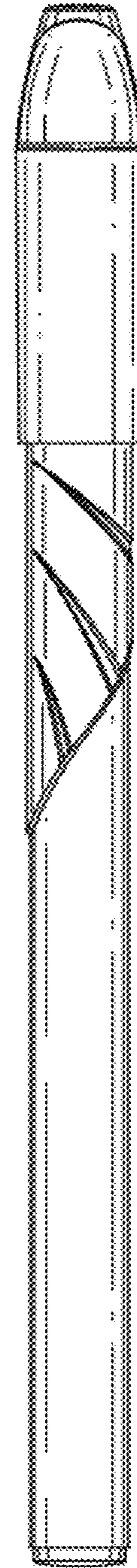
*Fig.1.*

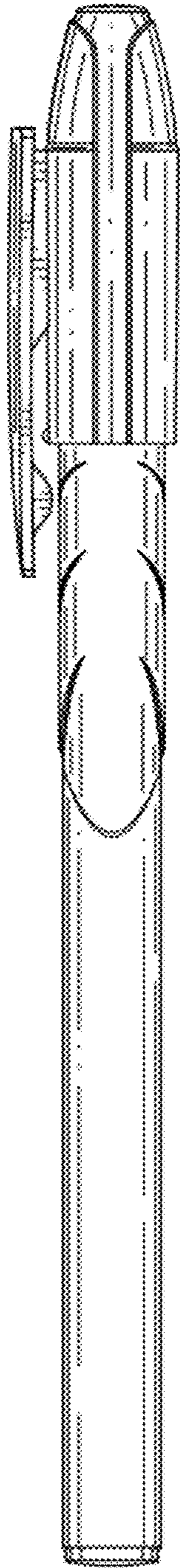
*Fig. 2.*



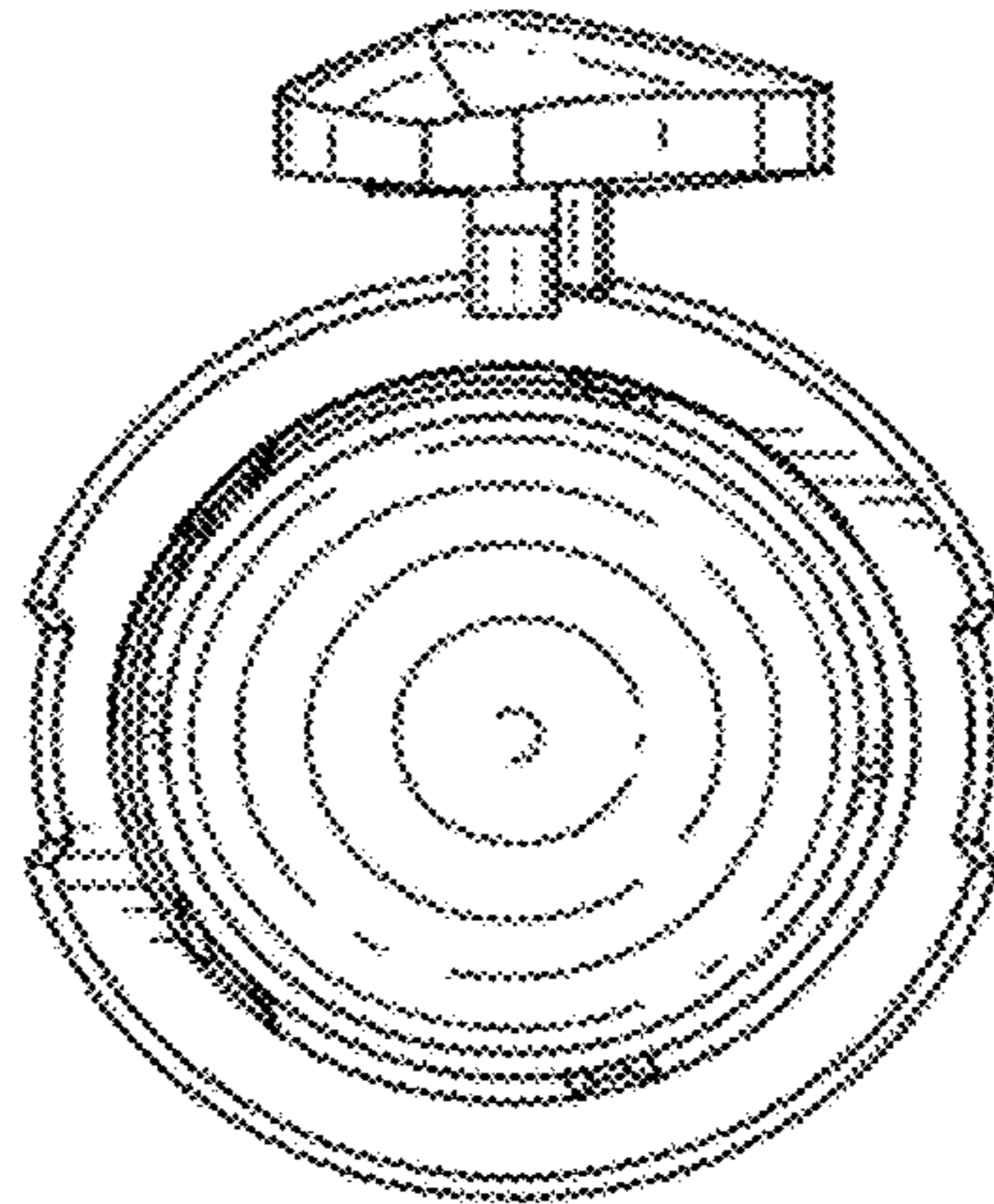
*Fig. 3.*

*Fig. 4.*

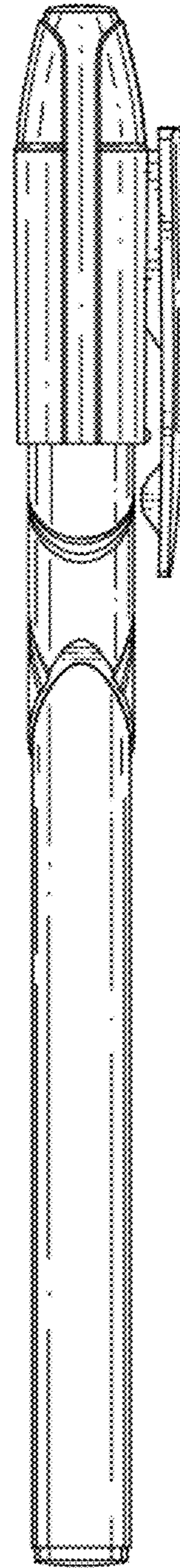




*Fig. 5.*



*Fig. 6.*



*Fig. 7.*