



US00D659757S

(12) **United States Design Patent**
Li

(10) **Patent No.:** **US D659,757 S**

(45) **Date of Patent:** **** May 15, 2012**

(54) **PEN**

(75) Inventor: **Bin Li**, Ningbo (CN)

(73) Assignee: **Beifa Group Co., Ltd.**, Ningbo (CN)

(**) Term: **14 Years**

(21) Appl. No.: **29/387,241**

(22) Filed: **Mar. 10, 2011**

(30) **Foreign Application Priority Data**

Sep. 12, 2010 (CN) 2010 3 0518926

(51) **LOC (9) Cl.** **19-06**

(52) **U.S. Cl.** **D19/47**

(58) **Field of Classification Search** D19/35,
D19/36, 41-51, 54-58; 24/11 R, 11 F, 11 P;
401/52, 99, 100-109, 192, 195, 196; D14/411
See application file for complete search history.

(56) **References Cited**

U.S. PATENT DOCUMENTS

4,128,889	A *	12/1978	Ojima et al.	708/107
D286,893	S *	11/1986	Regnault	D19/51
4,729,685	A *	3/1988	Bruhn et al.	401/100
D363,084	S	10/1995	Hollington	
D410,952	S *	6/1999	Hadtke et al.	D19/47
D445,131	S	7/2001	Keda	
D457,917	S	5/2002	Traut	
D467,614	S	12/2002	Pellissa Beneyto	
D477,635	S *	7/2003	Rommel	D19/46
D532,821	S *	11/2006	Banderet	D19/51
D534,955	S	1/2007	Huxiong	

D545,367	S	6/2007	Ternovits	
D562,894	S	2/2008	Nishida	
D576,210	S	9/2008	Qiu	
D589,559	S *	3/2009	Slemp	D19/51
7,607,203	B2 *	10/2009	Kageyama et al.	24/11 HC
D611,538	S *	3/2010	Zhou	D19/51
D618,278	S *	6/2010	Yoon	D19/48

OTHER PUBLICATIONS

Liang, W., "Pen," U.S. Appl. No. 29/383,350, filed Jan. 14, 2011.
Yan, M., "Pen," U.S. Appl. No. 29/389,375, filed Apr. 11, 2011.

* cited by examiner

Primary Examiner — Elizabeth Albert

(74) *Attorney, Agent, or Firm* — Christensen O'Connor
Johnston Kindness PLLC

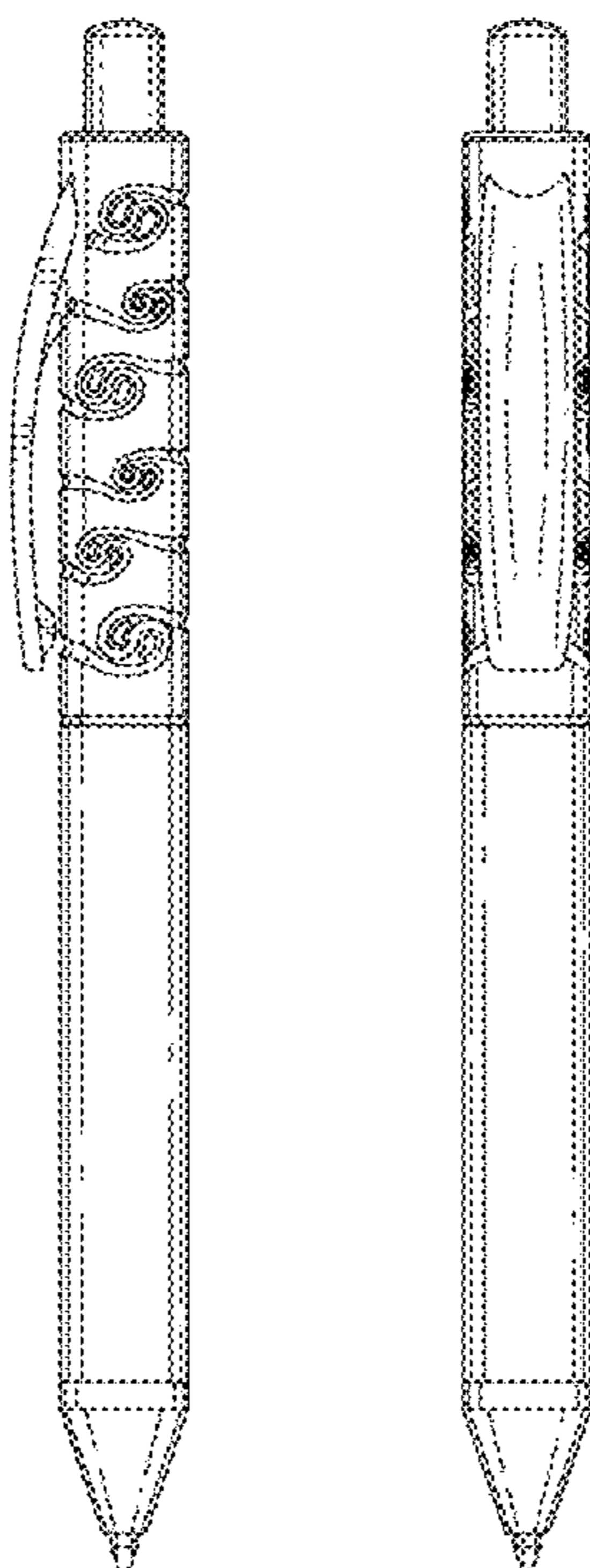
(57) **CLAIM**

The ornamental design for a pen, as shown and described.

DESCRIPTION

FIG. 1 is an upper rear right perspective view of a pen showing my new design;
FIG. 2 is a right side elevation view thereof, with the left side elevation view being a mirror image of the right side elevation view;
FIG. 3 is a front elevation view thereof;
FIG. 4 is a rear elevation view thereof;
FIG. 5 is an enlarged top plan view thereof; and,
FIG. 6 is an enlarged bottom plan view thereof.
The broken lines shown on the top of the pen in FIGS. 1 and 5 illustrate environment and form no part of the claimed design.

1 Claim, 3 Drawing Sheets



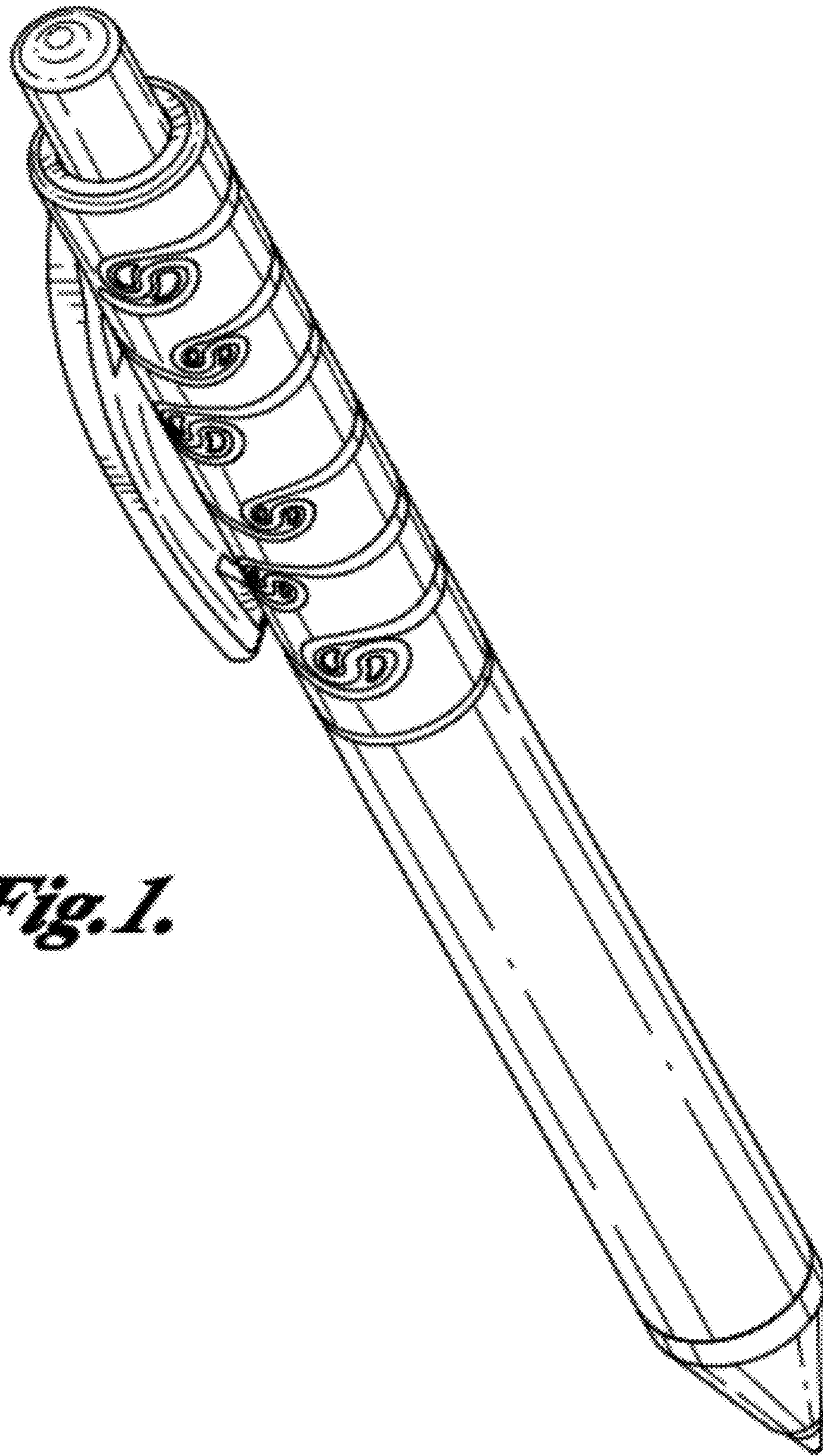


Fig. 1.

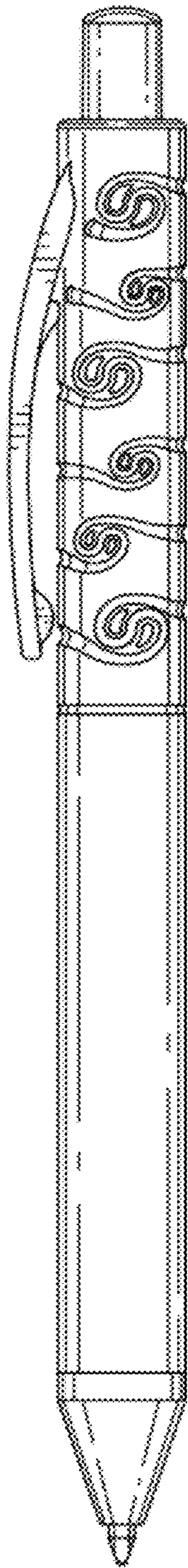


Fig. 2.

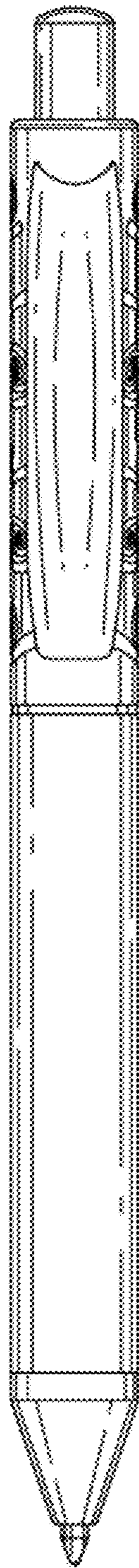


Fig. 3.

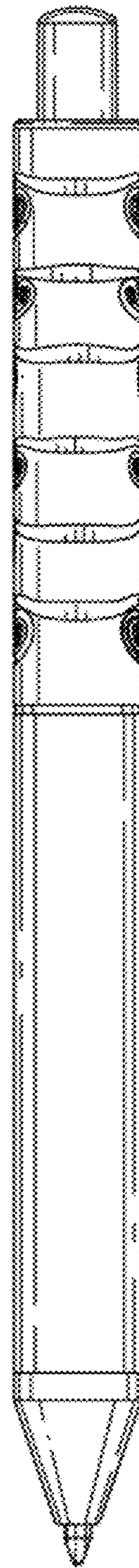


Fig. 4.

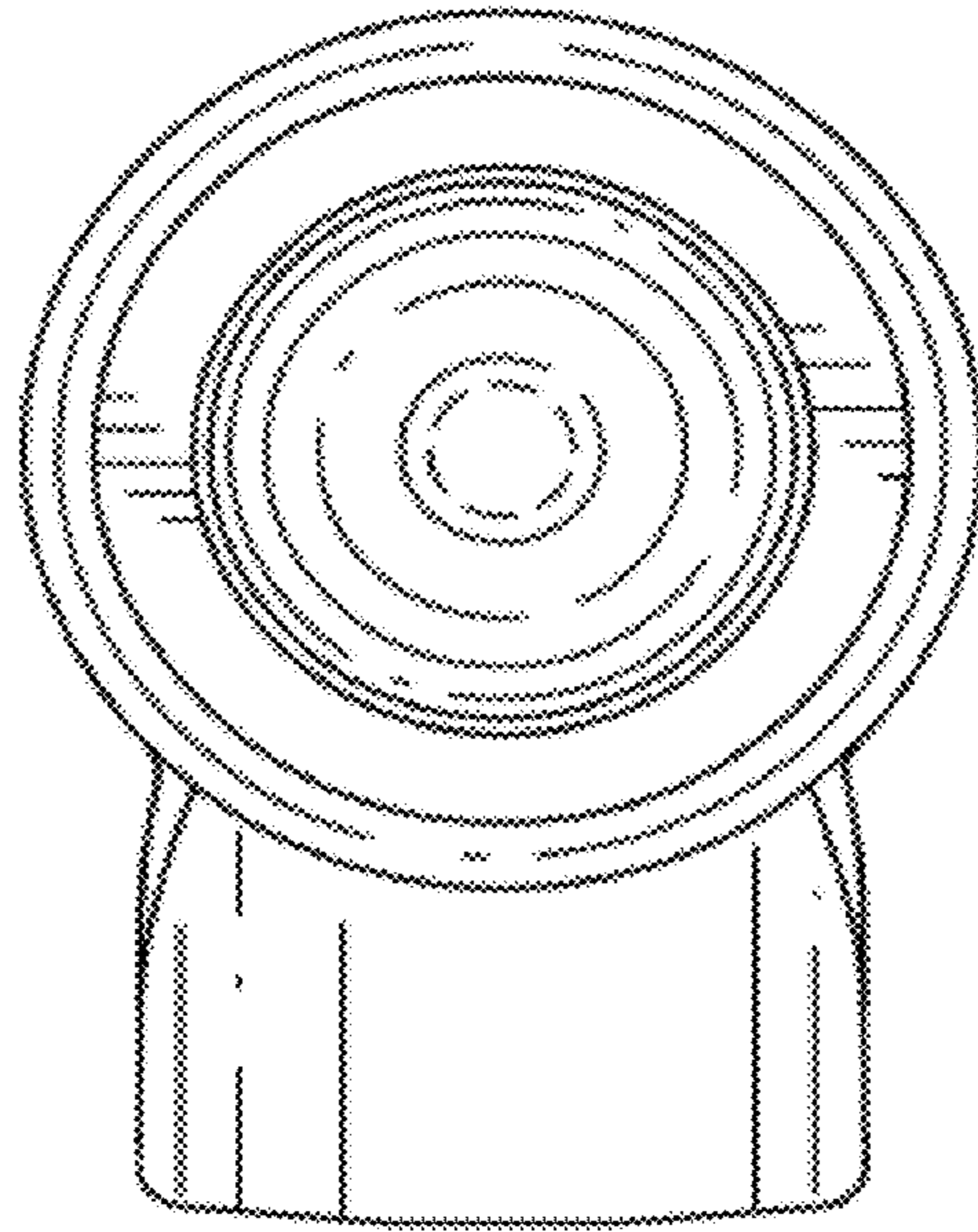


Fig. 5.

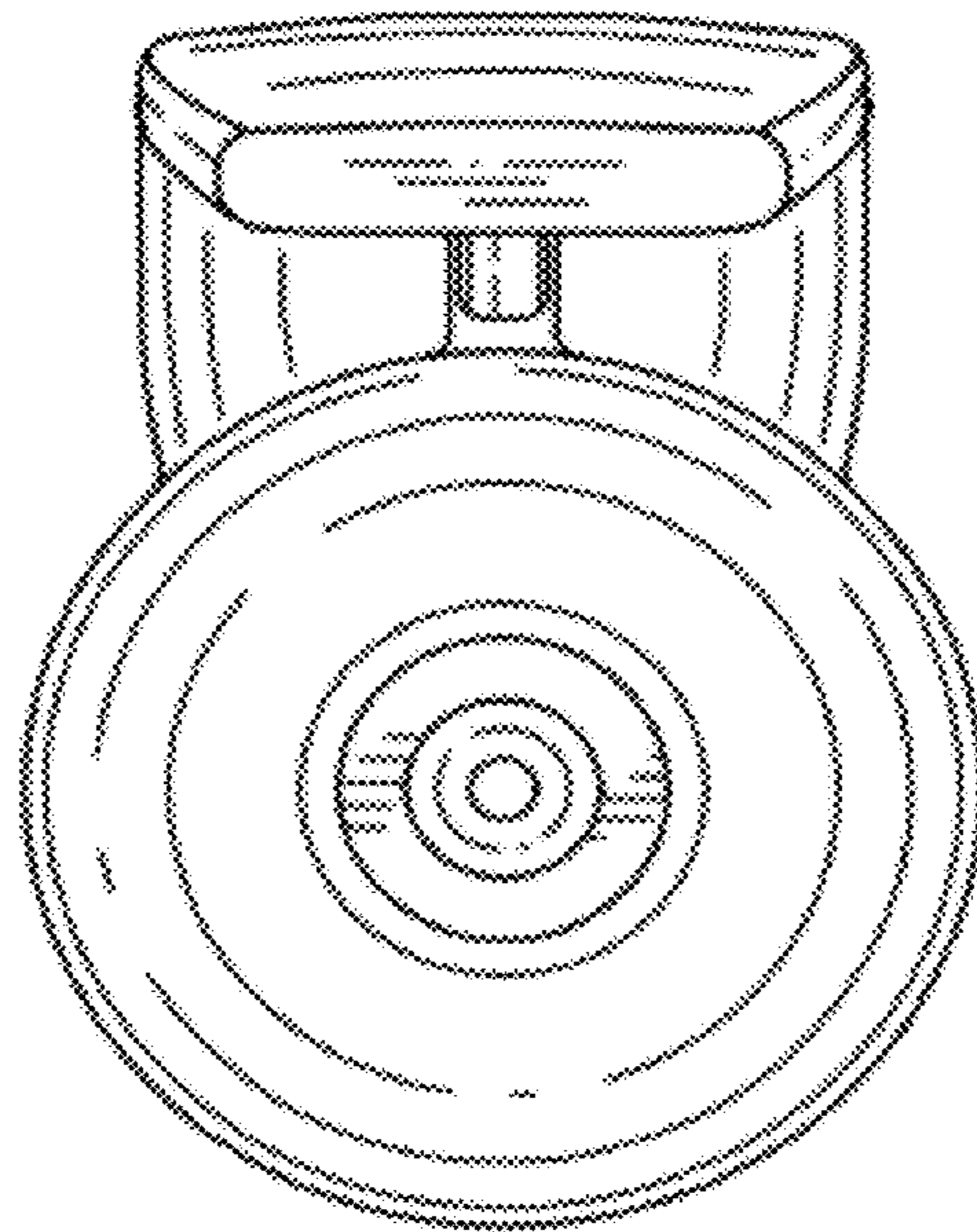


Fig. 6.

UNITED STATES PATENT AND TRADEMARK OFFICE
CERTIFICATE OF CORRECTION

PATENT NO. : D659,757 S
APPLICATION NO. : 29/387241
DATED : May 15, 2012
INVENTOR(S) : Bin Li

Page 1 of 1

It is certified that error appears in the above-identified patent and that said Letters Patent is hereby corrected as shown below:

<u>COLUMN</u>	<u>LINE</u>	<u>ERROR</u>
(74) Pg. 1, col. 2	Attorney, Agent, or Firm	“Johnston” should read --Johnson--

Signed and Sealed this
Ninth Day of October, 2012



David J. Kappos
Director of the United States Patent and Trademark Office