



US00D659756S

(12) **United States Design Patent**
Liang

(10) **Patent No.:** **US D659,756 S**

(45) **Date of Patent:** **** May 15, 2012**

(54) **MARKER**

(75) Inventor: **Wenyan Liang**, Ningbo (CN)

(73) Assignee: **Beifa Group Co., Ltd.**, Ningbo (CN)

(**) Term: **14 Years**

(21) Appl. No.: **29/386,816**

(22) Filed: **Mar. 4, 2011**

(30) **Foreign Application Priority Data**

Sep. 9, 2010 (CN) 2010 3 0513962

(51) **LOC (9) Cl.** **19-06**

(52) **U.S. Cl.** **D19/41**

(58) **Field of Classification Search** D19/35,
D19/36, 41-51, 54-58; 24/11 R, 11 F, 11 P;
401/52, 99, 100-109, 192, 195, 196; D14/411
See application file for complete search history.

(56) **References Cited**

U.S. PATENT DOCUMENTS

D287,373 S	12/1986	Regnault	
D289,088 S	3/1987	Jankewitz	
D306,355 S *	2/1990	Shinohara D28/7
D311,550 S	10/1990	Yazaki	
D325,599 S *	4/1992	Poisson D19/49
D327,090 S *	6/1992	Kishita D19/66
D448,046 S	9/2001	Polidoro	
D448,407 S	9/2001	Huang	
D534,586 S *	1/2007	Togawa D19/50
D570,414 S	6/2008	Qiu	

D572,753 S	7/2008	Brigham	
D587,752 S *	3/2009	Shimizu D19/50
D612,420 S *	3/2010	Suero et al. D19/41
D616,937 S	6/2010	Liu	
D622,771 S *	8/2010	Casciotti et al. D19/55
D631,913 S *	2/2011	Li D19/48
D641,788 S *	7/2011	Rolion et al. D19/50
D646,327 S *	10/2011	Casciotti et al. D19/54

OTHER PUBLICATIONS

Chen, B., "Marker," U.S. Appl. No. 29/384,503, filed Jan. 31, 2011.
Li, B., "Pen," U.S. Appl. No. 29/382,823, filed Jan. 7, 2011.

* cited by examiner

Primary Examiner — Elizabeth Albert

(74) *Attorney, Agent, or Firm* — Christensen O'Connor
Johnson Kindness PLLC

(57) **CLAIM**

The ornamental design for a marker, as shown and described.

DESCRIPTION

FIG. 1 is an upper front right perspective view of a marker showing my new design;

FIG. 2 is a front elevation view thereof;

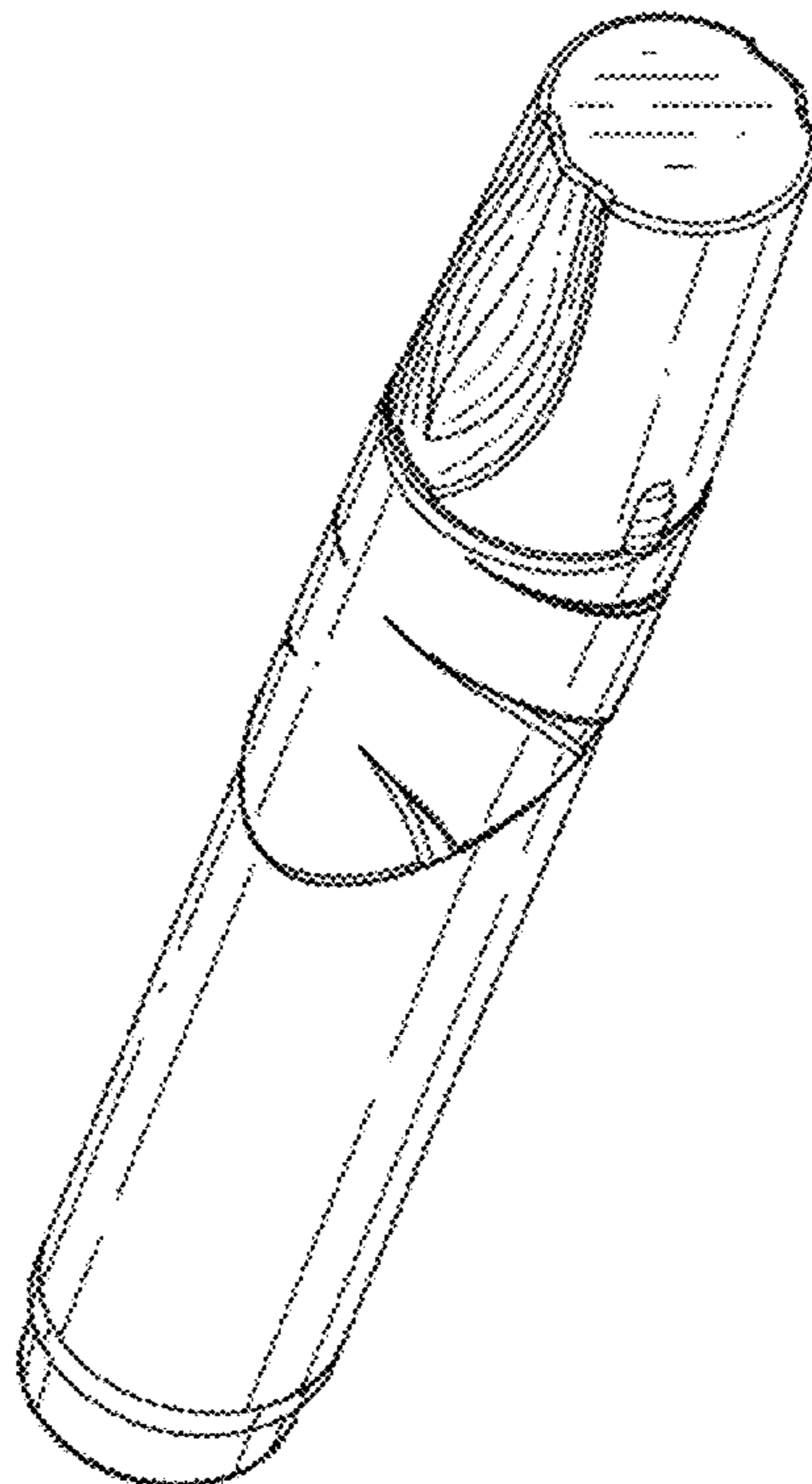
FIG. 3 is a rear elevation view thereof;

FIG. 4 is a left side elevation view thereof, with the right side elevation view being a mirror image of the left side elevation view;

FIG. 5 is an enlarged top plan view thereof; and,

FIG. 6 is an enlarged bottom plan view thereof.

1 Claim, 4 Drawing Sheets



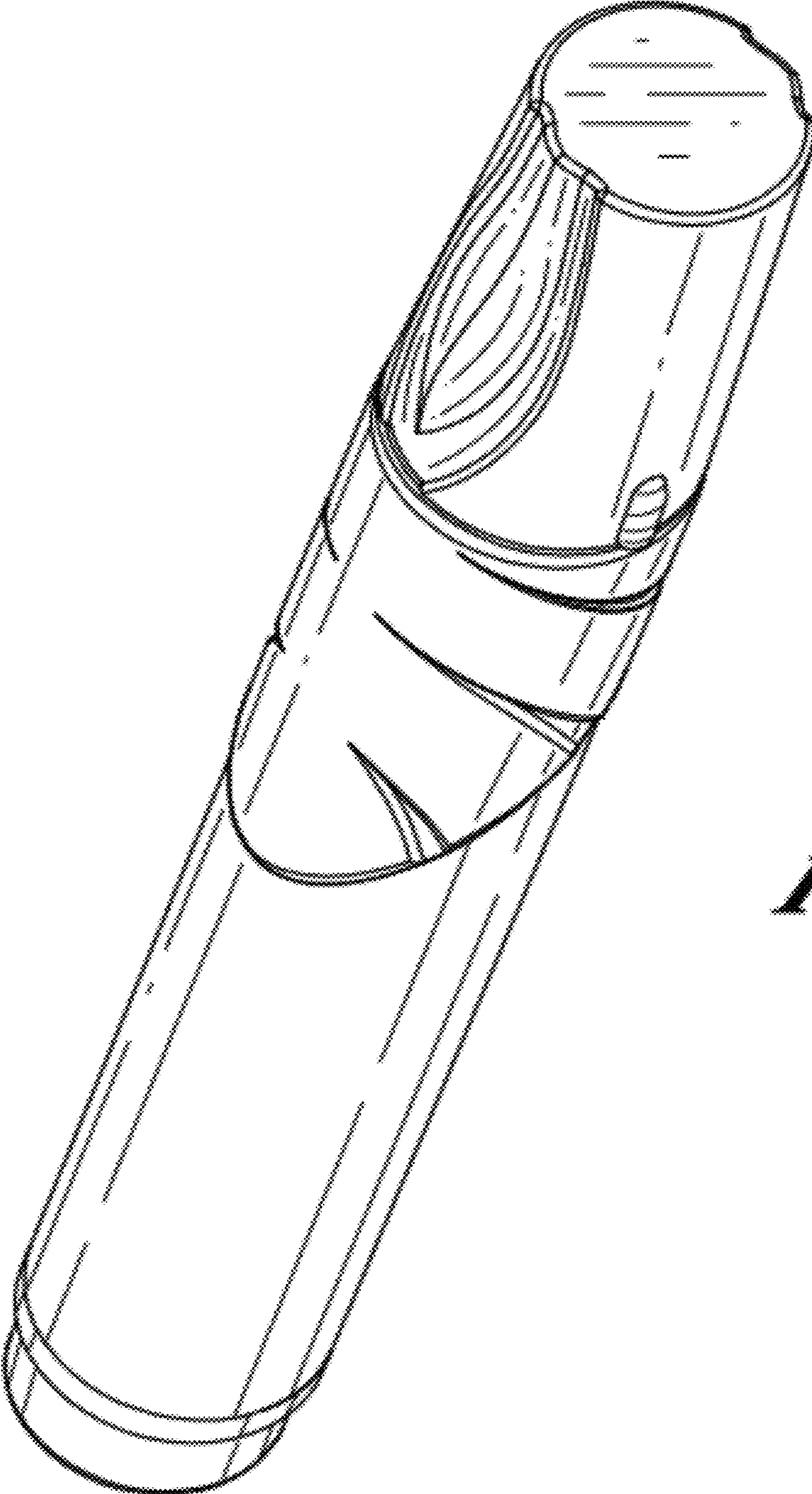


Fig. 1.

Fig. 2.

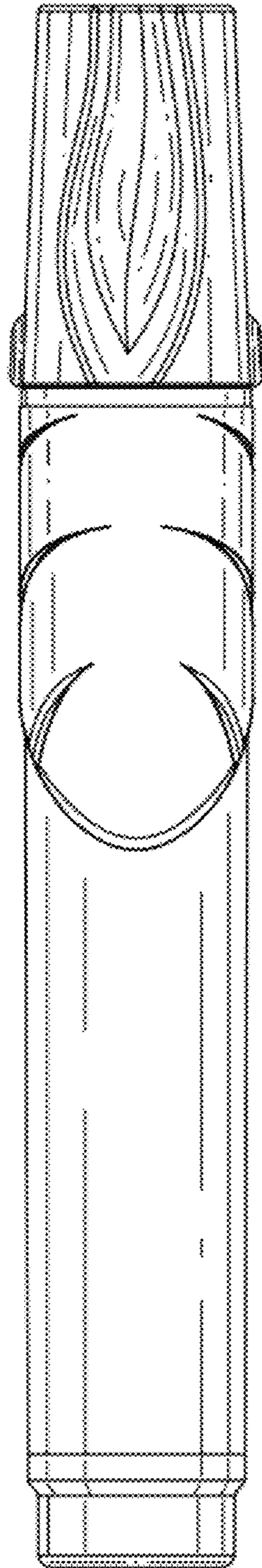
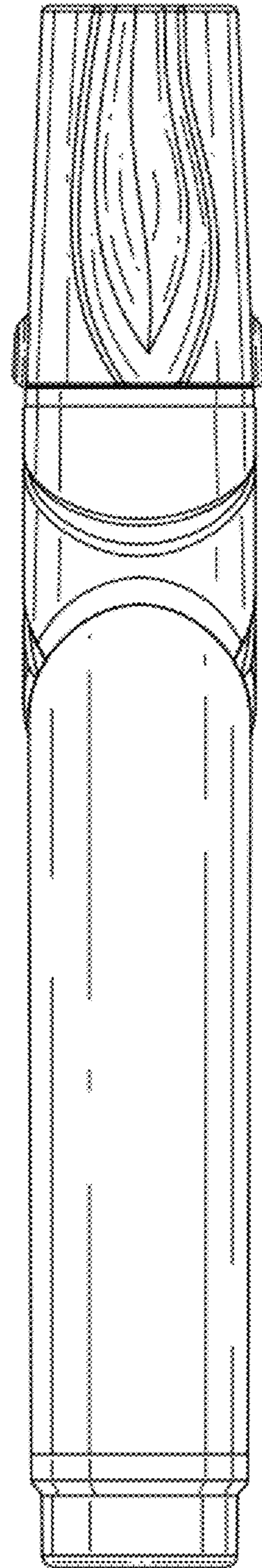


Fig. 3.



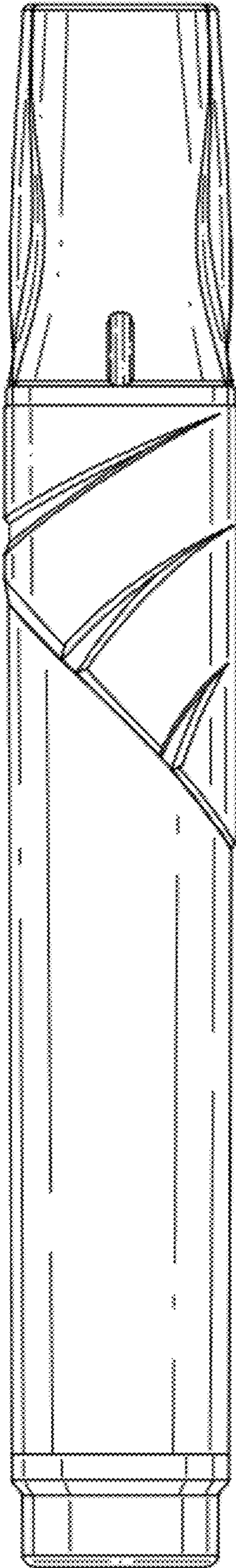


Fig. 4.

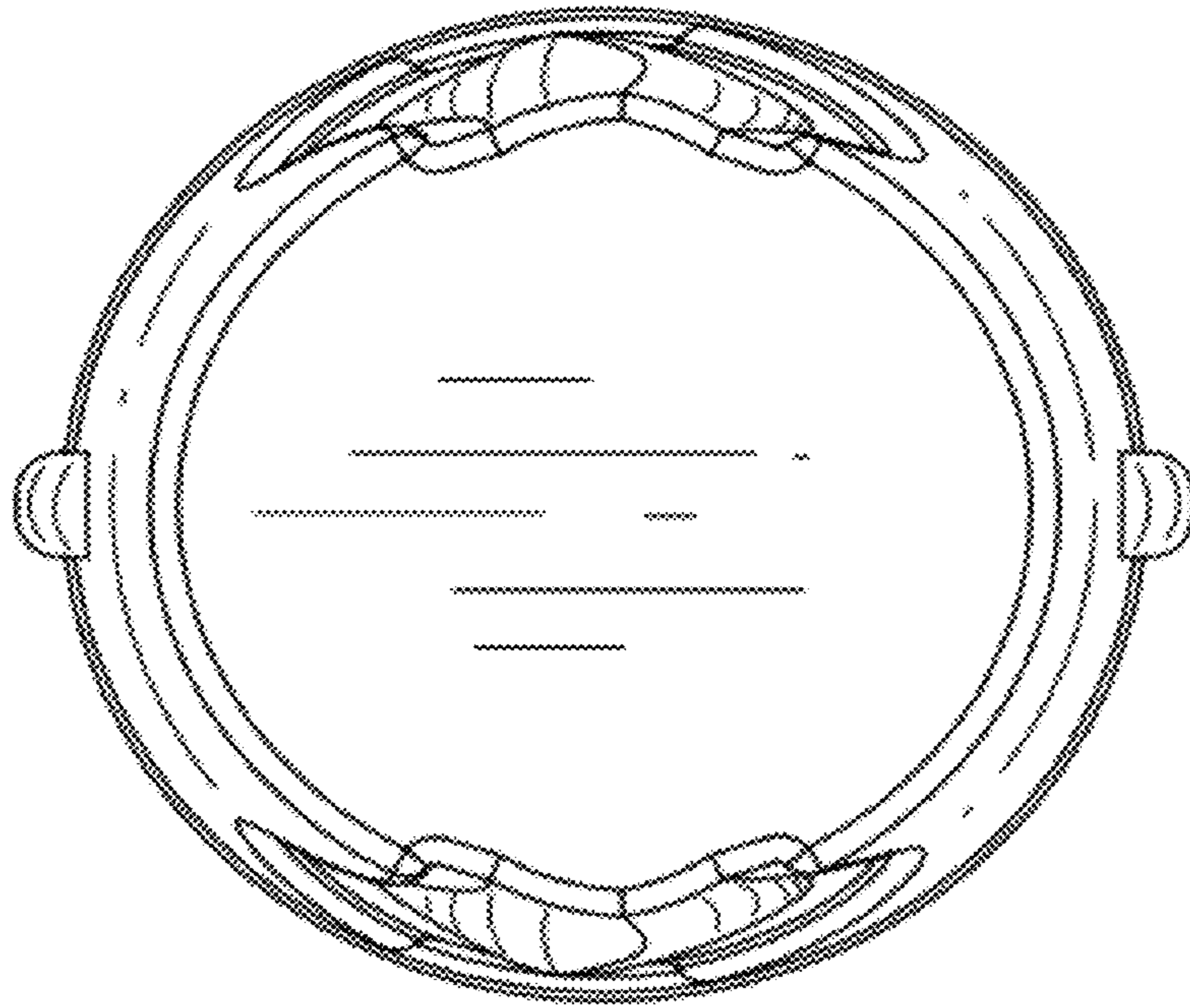


Fig. 5.

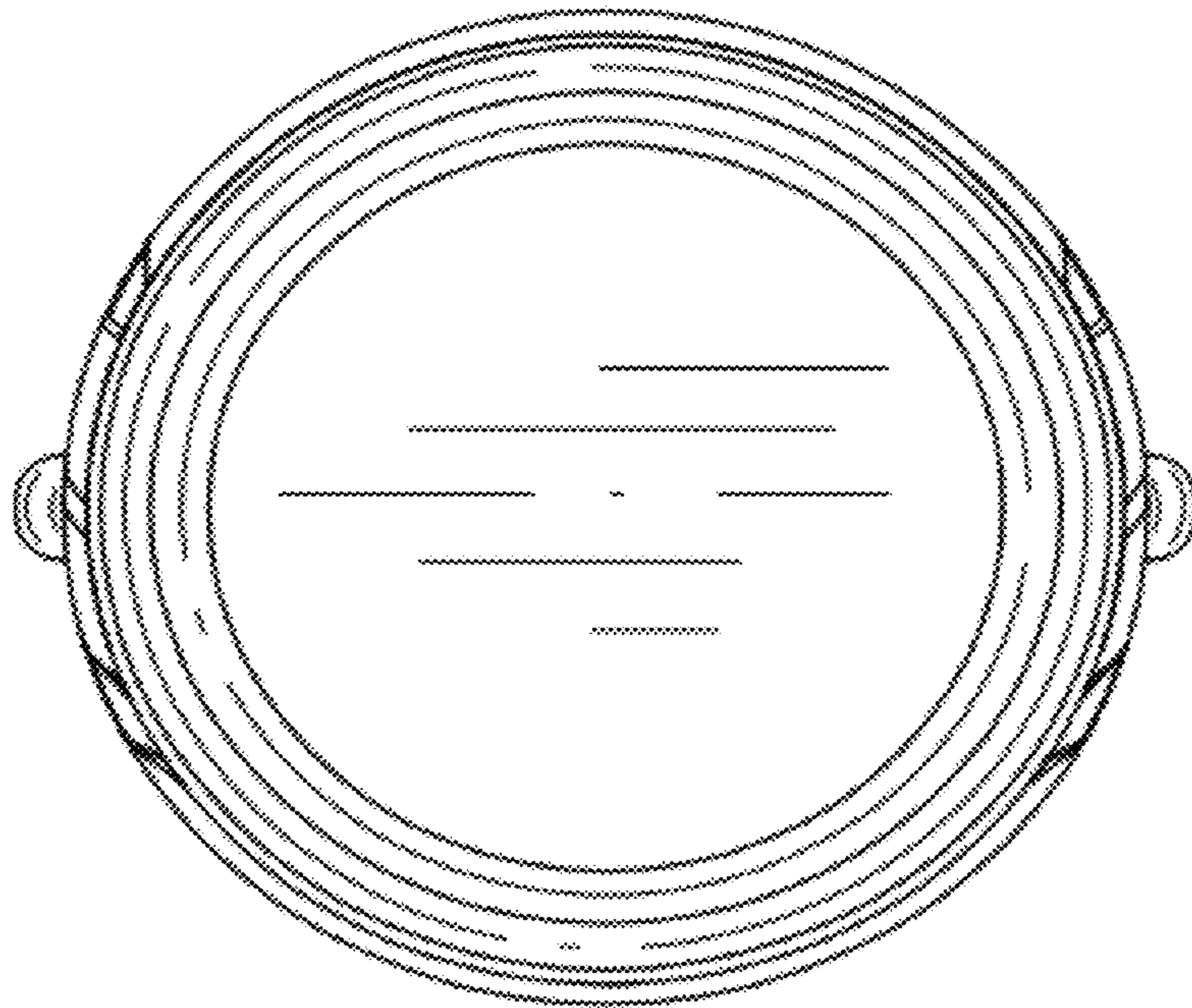


Fig. 6.