



US00D659754S

(12) **United States Design Patent**  
**Rossiter et al.**

(10) **Patent No.:** **US D659,754 S**

(45) **Date of Patent:** **\*\* May 15, 2012**

(54) **VIDEO TABLET**

(75) Inventors: **Shane Rossiter**, Marina del Rey, CA (US); **Timothy P. Clegg**, Manhattan Beach, CA (US)

(73) Assignee: **Americhip, Inc.**, Los Angeles, CA (US)

(\*\*) Term: **14 Years**

(21) Appl. No.: **29/409,143**

(22) Filed: **Dec. 20, 2011**

**Related U.S. Application Data**

(63) Continuation-in-part of application No. 29/388,716, filed on Mar. 31, 2011, now Pat. No. Des. 655,750, which is a continuation-in-part of application No. 29/385,684, filed on Feb. 17, 2011, now Pat. No. Des. 647,559, which is a continuation-in-part of application No. 29/368,489, filed on Aug. 24, 2010, now Pat. No. Des. 642,611, which is a continuation-in-part of application No. 29/363,757, filed on Jun. 14, 2010, now Pat. No. Des. 629,458, which is a continuation-in-part of application No. 12/413,343, filed on Mar. 27, 2009, now Pat. No. 8,011,122, which is a continuation-in-part of application No. 12/263,277, filed on Oct. 31, 2008, now abandoned, which is a continuation-in-part of application No. 12/199,740, filed on Aug. 27, 2008, now abandoned.

(51) **LOC (9) Cl.** ..... **19-01**

(52) **U.S. Cl.** ..... **D19/1**

(58) **Field of Classification Search** ..... D19/1-12, D19/20-34, 86; 40/124.01-124.15, 672, 40/661, 726, 427, 436, 445-457, 463; 283/72, 283/74-75, 63.1; 206/449, 308.3, 472; D21/385; 229/92, 92.1, 300; 462/64-66, 17, 55; 345/87, 345/901; 434/317, 169, 362, 185, 308, 368; 281/3.1, 15.1, 19.1, 21.1, 29, 38; D14/371, D14/374, 435

See application file for complete search history.

(56) **References Cited**

U.S. PATENT DOCUMENTS

D629,459	S	*	12/2010	Clegg et al.	.....	D19/1
D642,611	S	*	8/2011	Clegg et al.	.....	D19/1
D647,559	S	*	10/2011	Clegg et al.	.....	D19/1
D649,589	S	*	11/2011	Clegg et al.	.....	D19/1

\* cited by examiner

*Primary Examiner* — Caron D Veynar

*Assistant Examiner* — Abraham Bahta

(74) *Attorney, Agent, or Firm* — Jeffer Mangels Butler & Mitchell LLP

(57) **CLAIM**

The ornamental design for a video tablet, as shown and described.

**DESCRIPTION**

FIG. 1 is a perspective view of the present invention;  
FIG. 2 is a front elevational view of the present invention shown in FIG. 1;  
FIG. 3 is a rear elevational view of the present invention shown in FIG. 1;  
FIG. 4 is a right side elevational view of the present invention shown in FIG. 1, the left side elevational view being a mirror image thereof;  
FIG. 5 is a top plan view of the present invention shown in FIG. 1.  
FIG. 6 is a bottom plan view of the present invention shown in FIG. 1;  
FIG. 7 is a perspective view of a second embodiment of the present invention;  
FIG. 8 is a front elevational view of a second embodiment of the present invention shown in FIG. 7;  
FIG. 9 is a rear elevational view of a second embodiment of the present invention shown in FIG. 7;  
FIG. 10 is a right side elevational view of a second embodiment of the present invention shown in FIG. 7, the left side elevational view being a mirror image thereof;

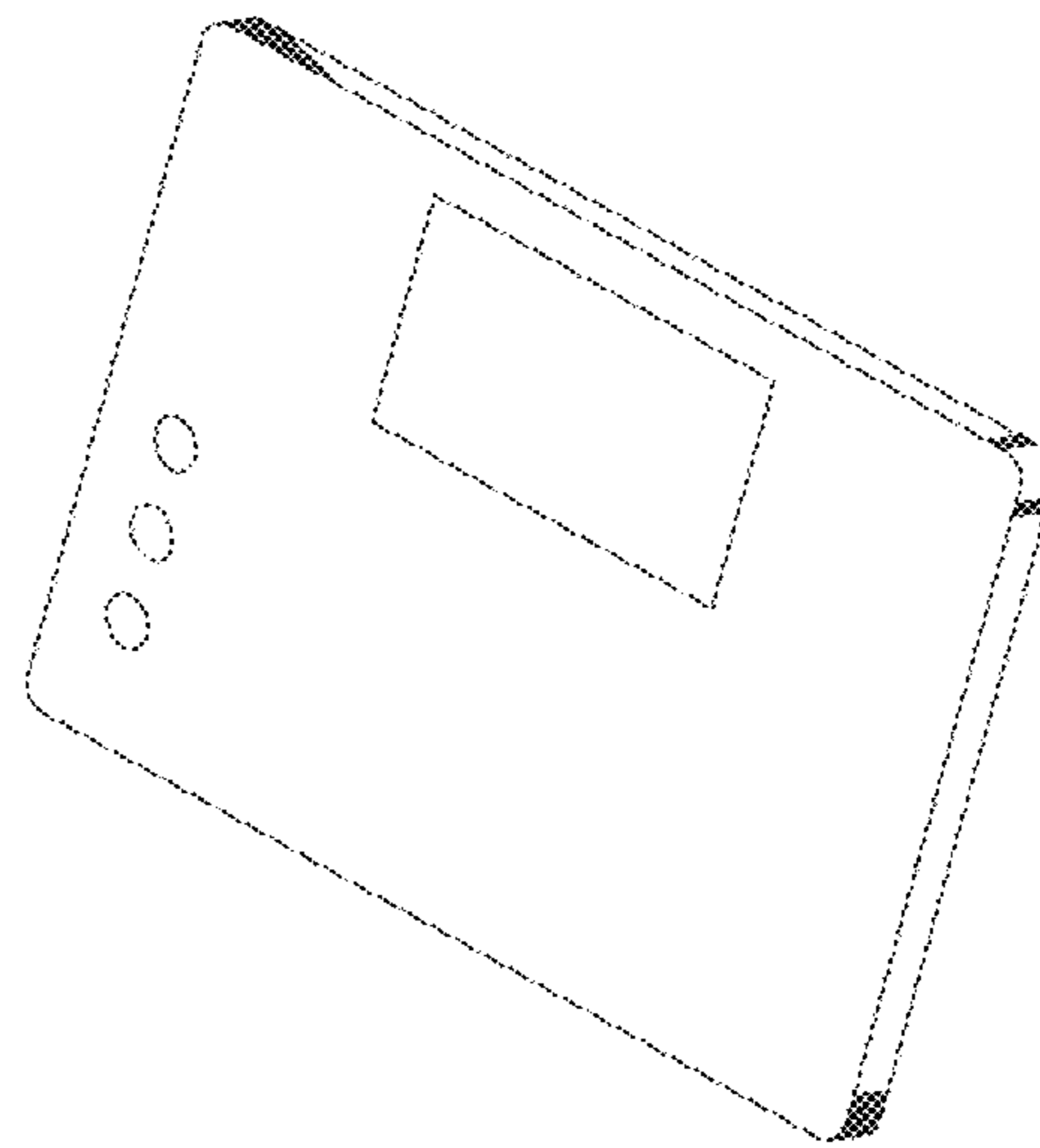
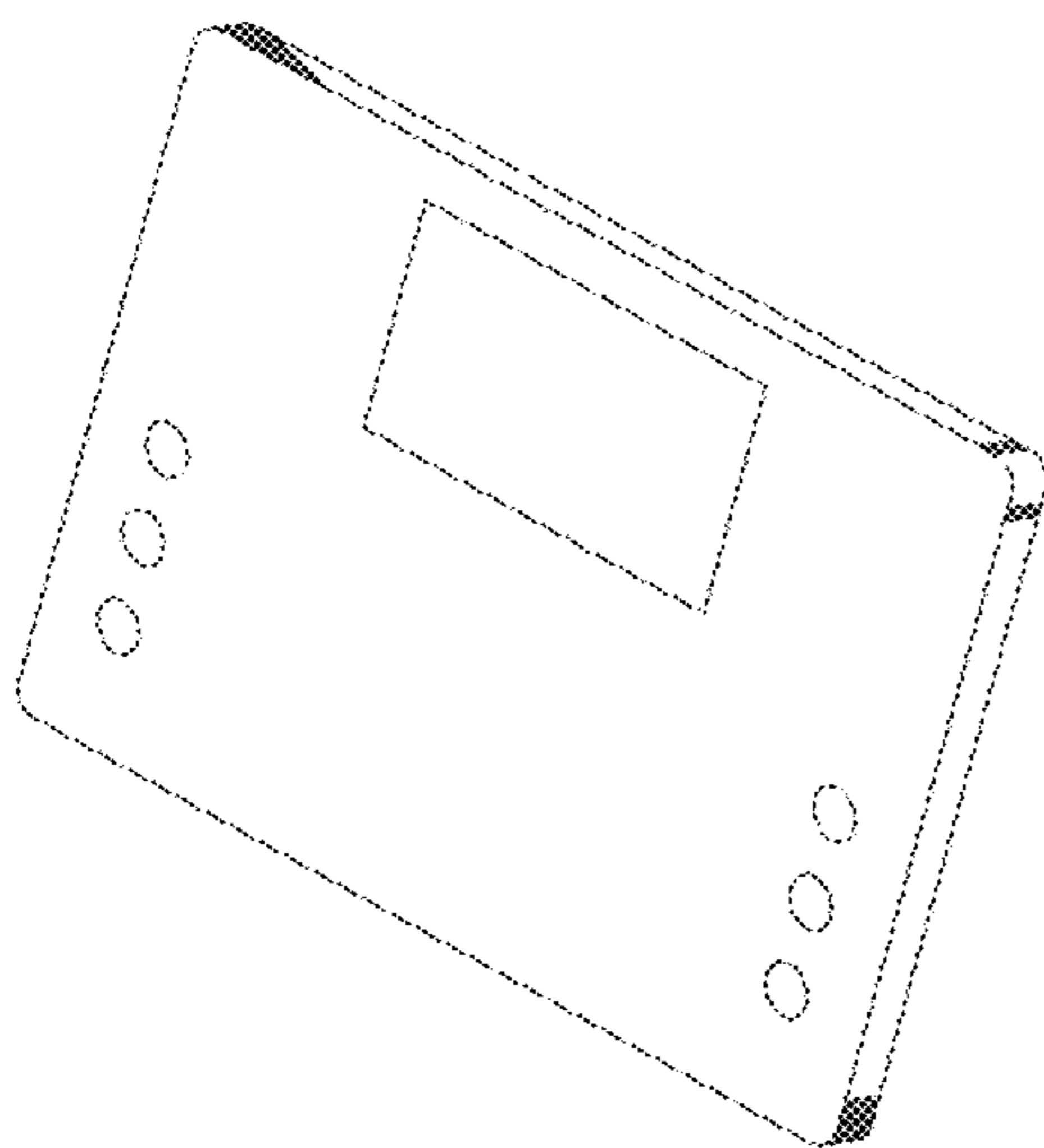


FIG. **11** is a top plan view of a second embodiment of the present invention shown in FIG. **7**;

FIG. **12** is a bottom plan view of a second embodiment of the present invention shown in FIG. **7**;

FIG. **13** is a perspective view of a third embodiment of the present invention;

FIG. **14** is a front elevational view of a third embodiment of the present invention shown in FIG. **13**;

FIG. **15** is a rear elevational view of a third embodiment of the present invention shown in FIG. **13**;

FIG. **16** is a right side elevational view of a third embodiment of the present invention shown in FIG. **13**, the left side elevational view being a mirror image thereof;

FIG. **17** is a top plan view of a third embodiment of the present invention shown in FIG. **13**; and,

FIG. **18** is a bottom plan view of a third embodiment of the present invention shown in FIG. **13**.

The shading shown in the drawings are for illustrative purposes only and form no part of the claimed design.

**1 Claim, 12 Drawing Sheets**

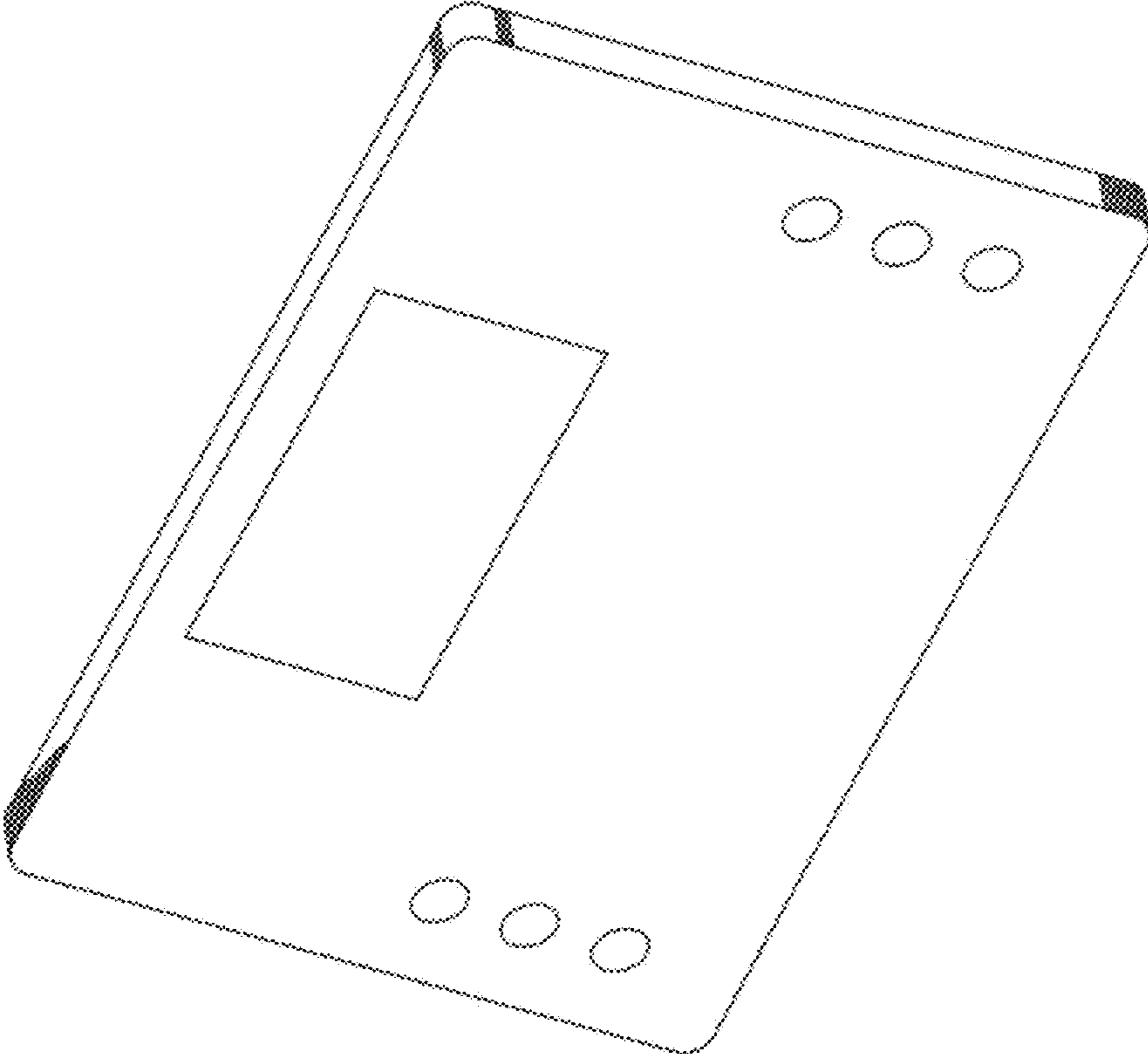


Fig 1

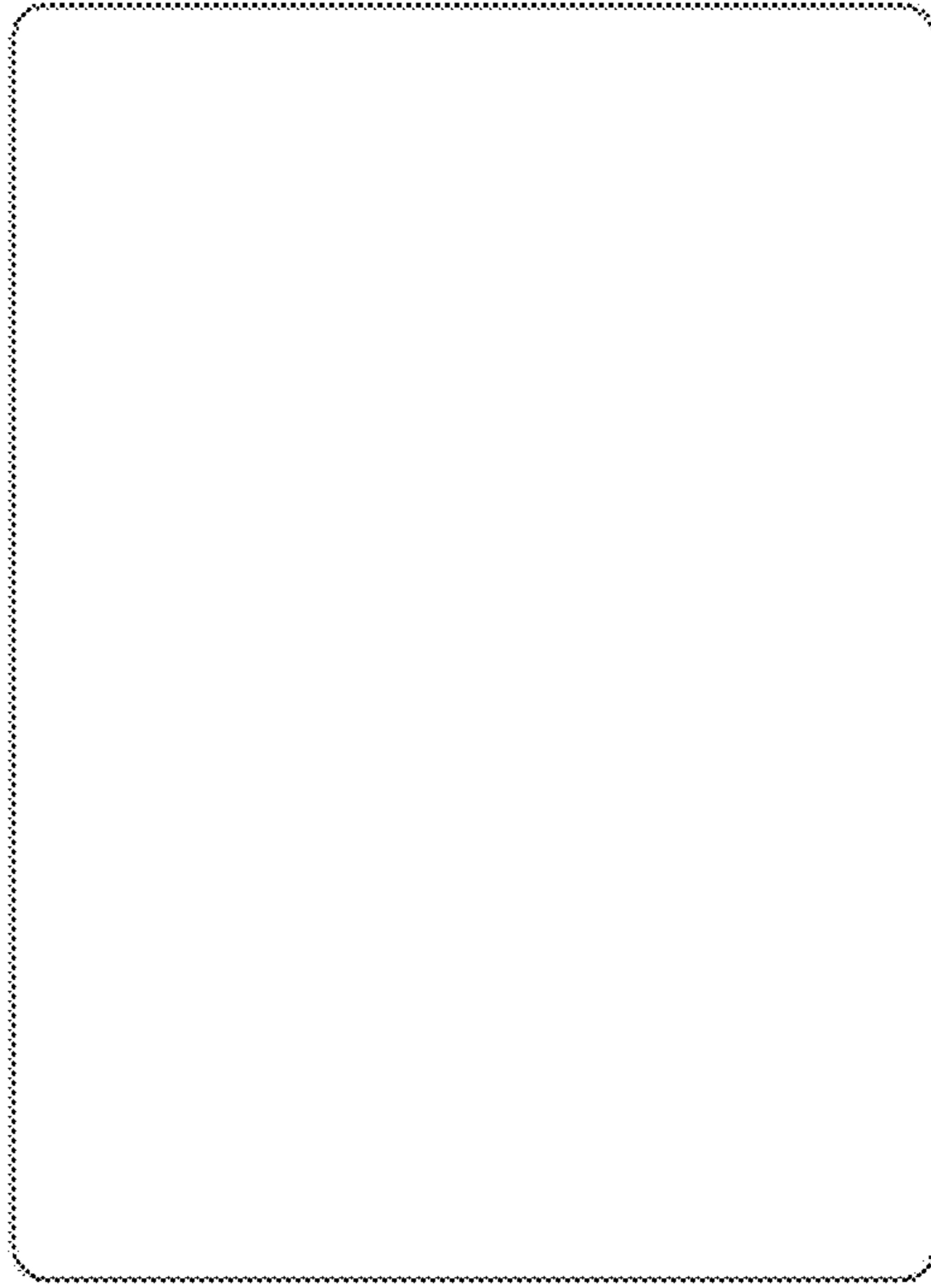


Fig. 3

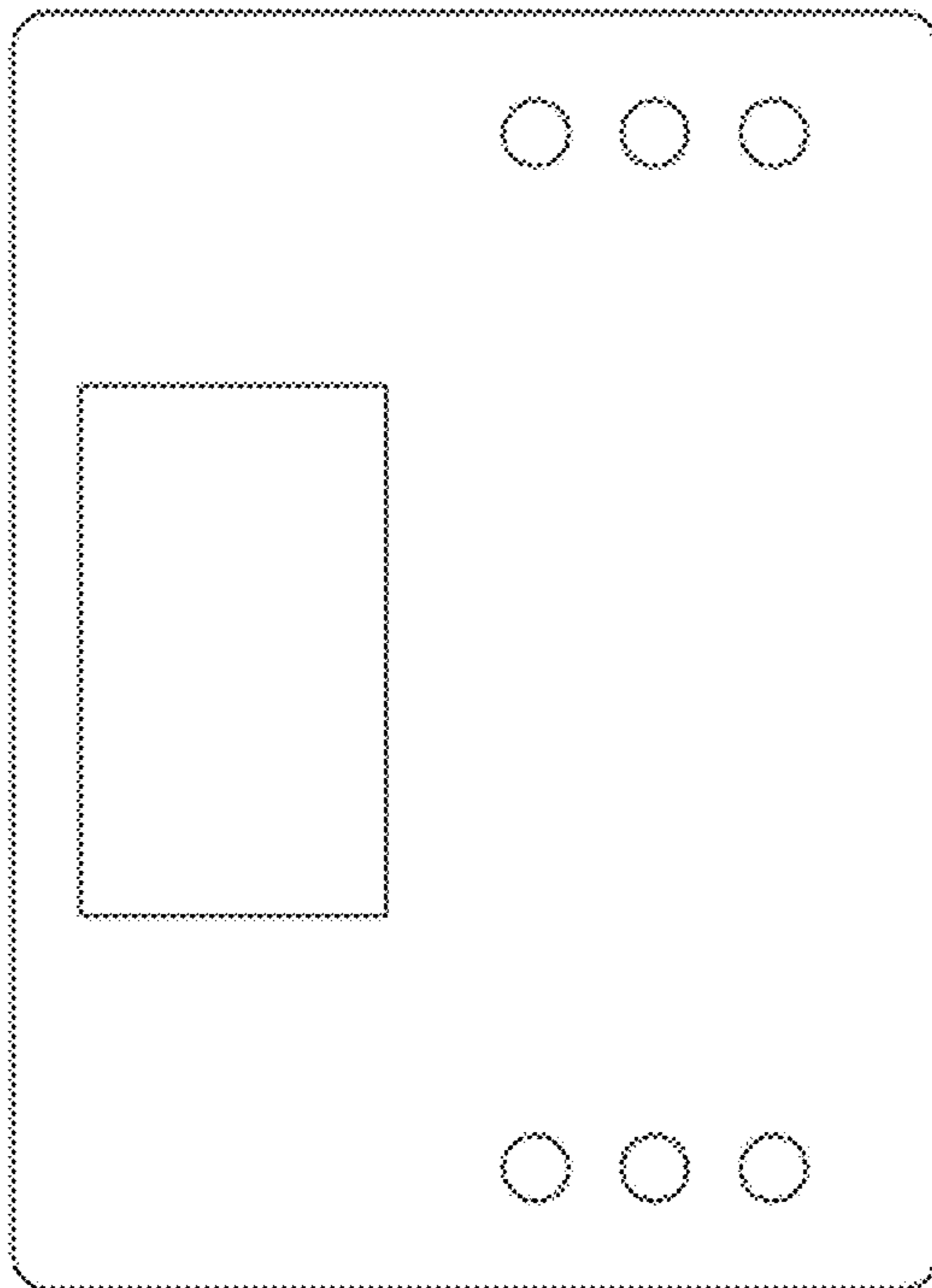
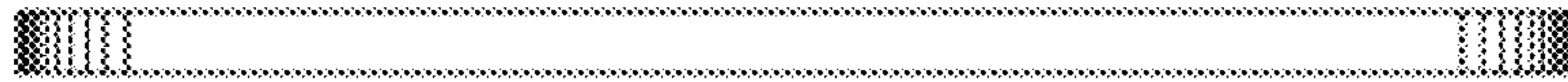


Fig. 2



**Fig 4**



Fig 5



Fig 6

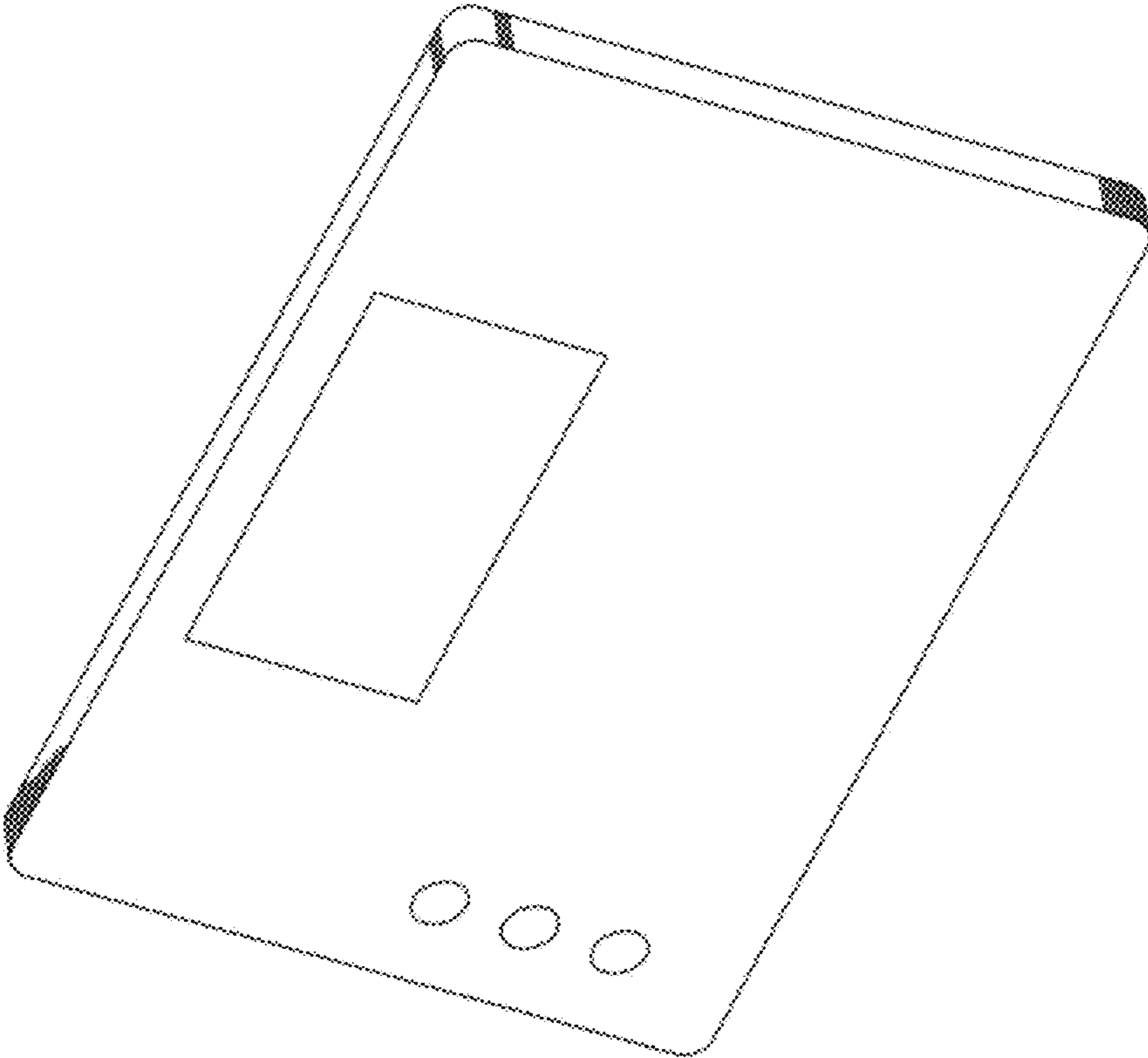


Fig 7

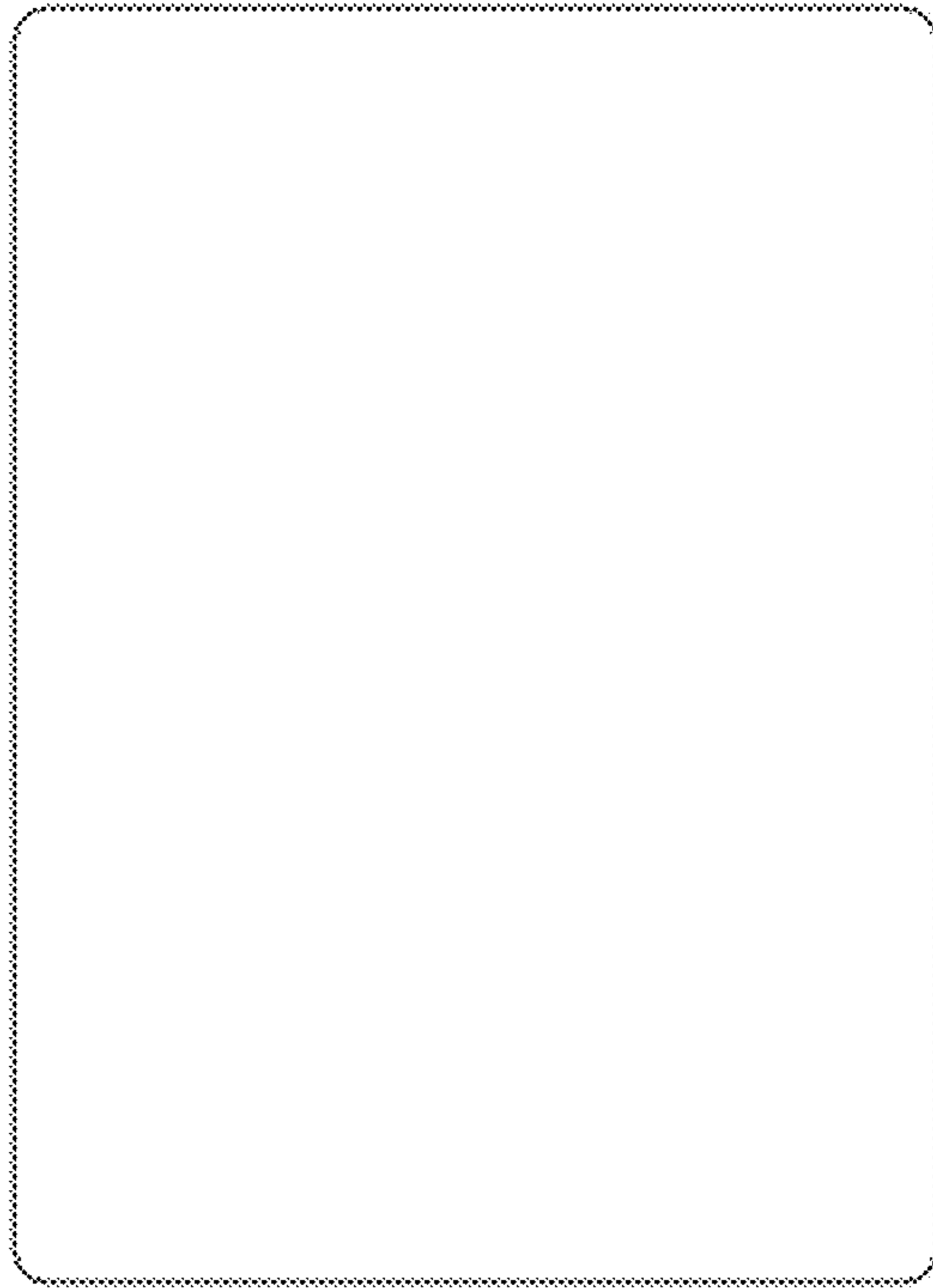


Fig 9

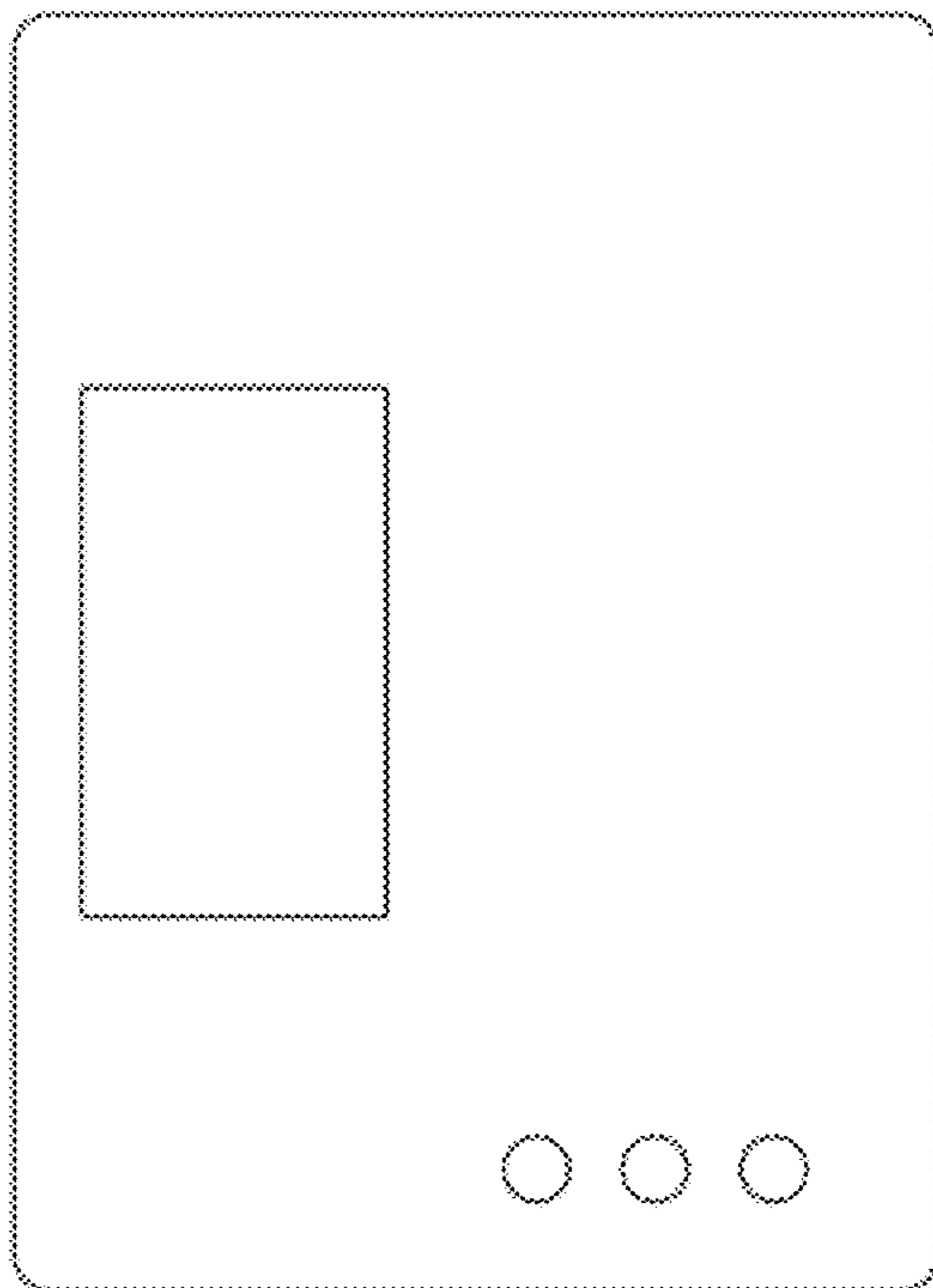


Fig 8



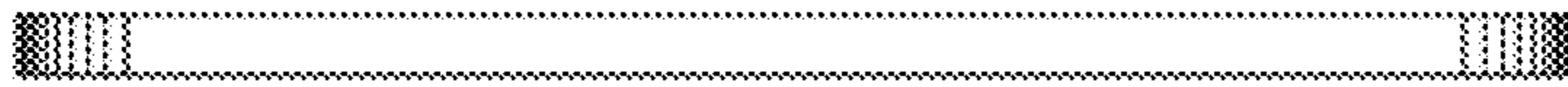


Fig 10

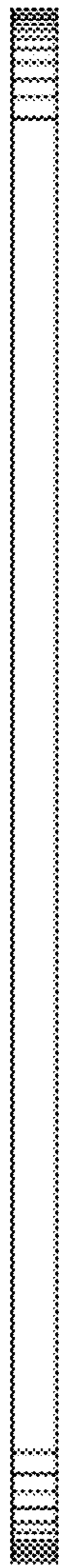


Fig 11



Fig 12

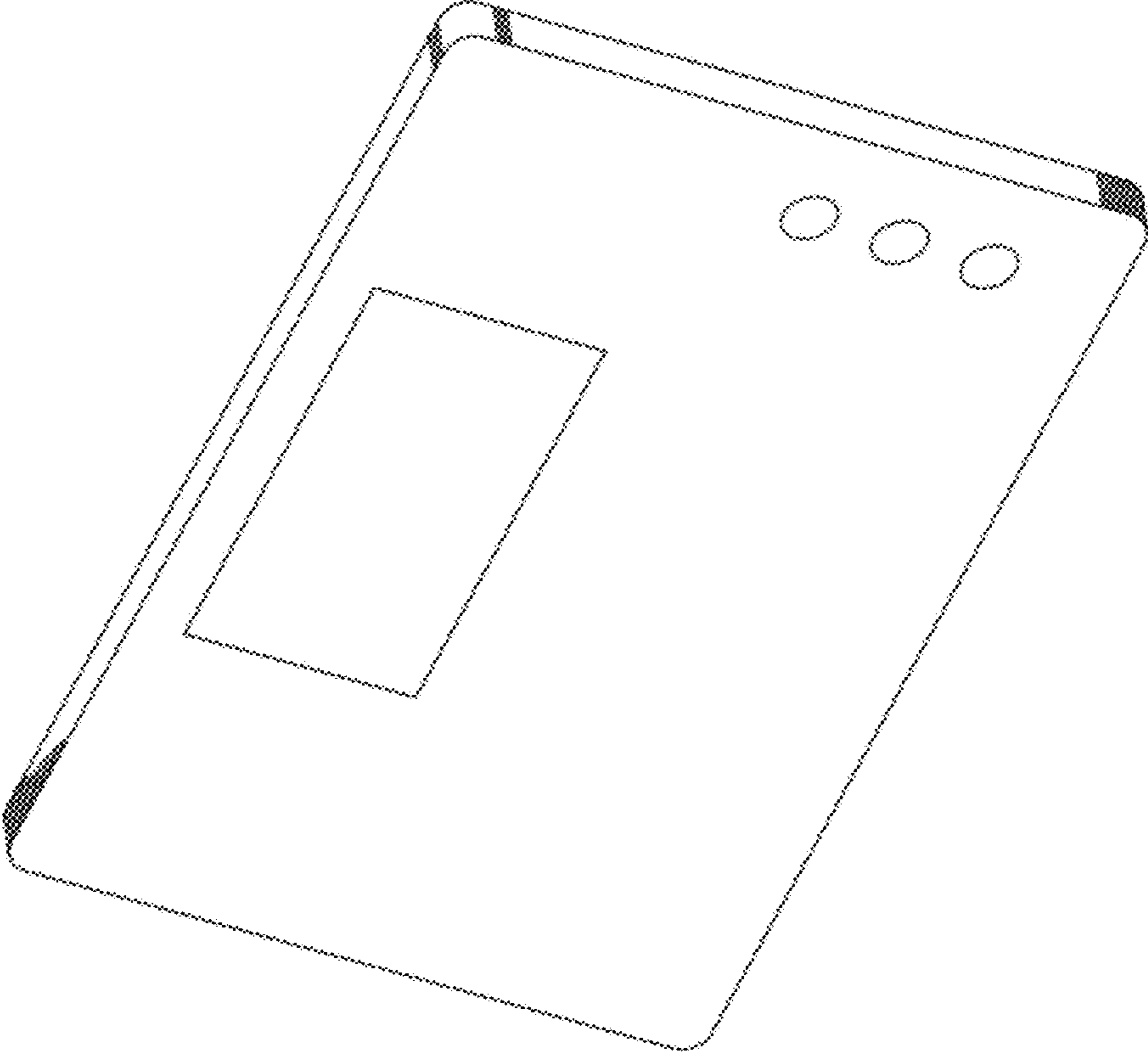


Fig 13

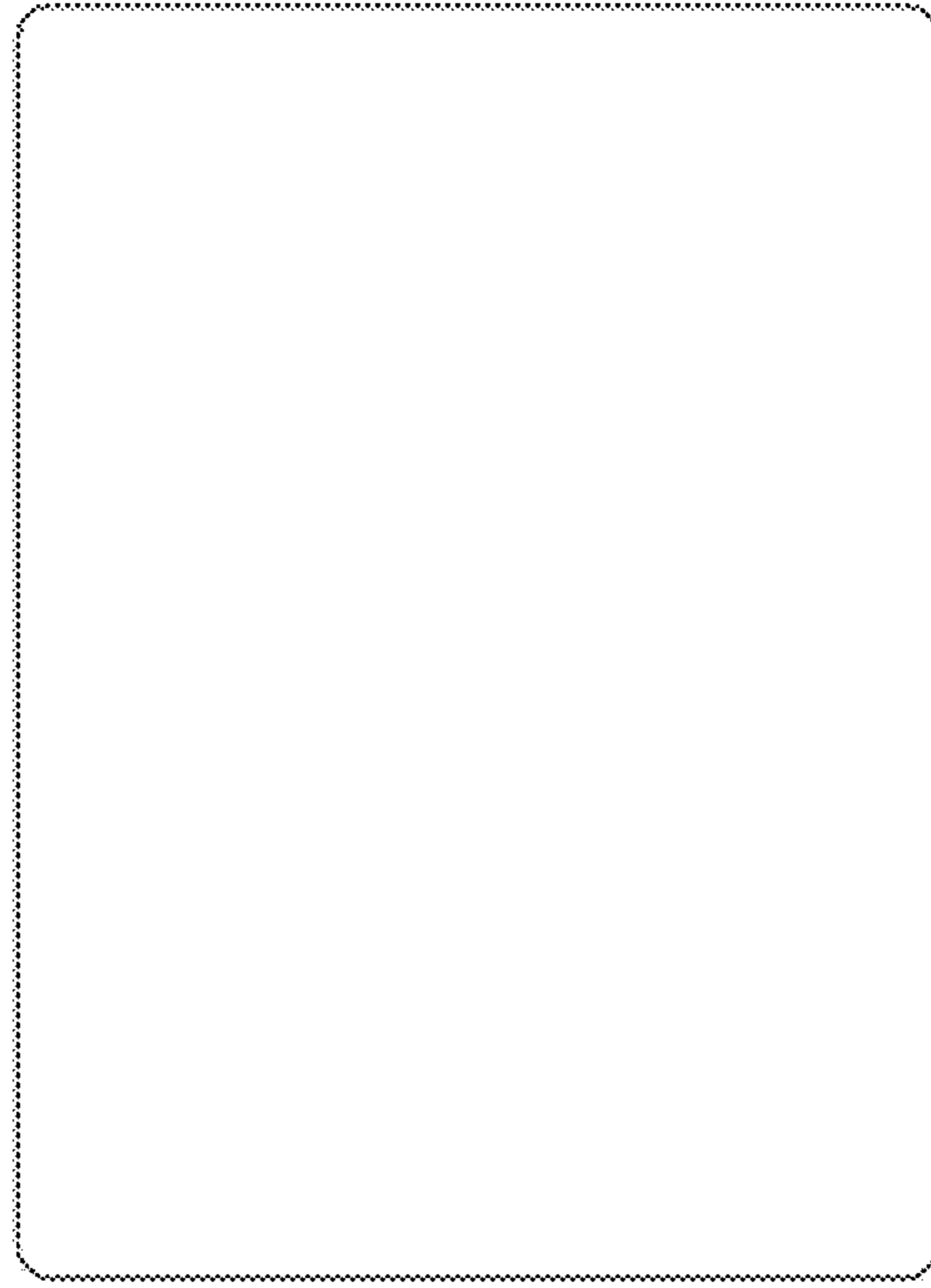


Fig 15

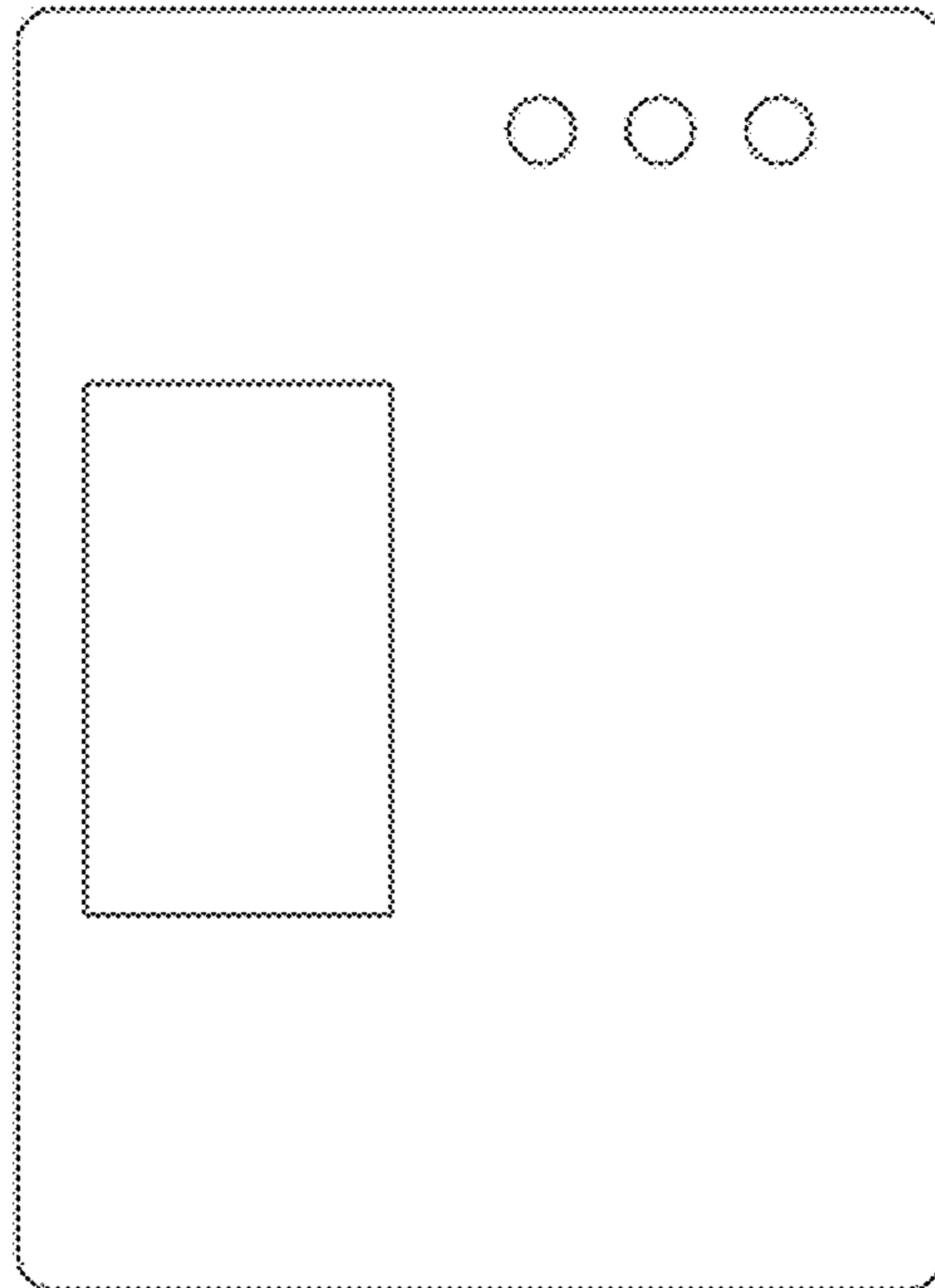


Fig 14

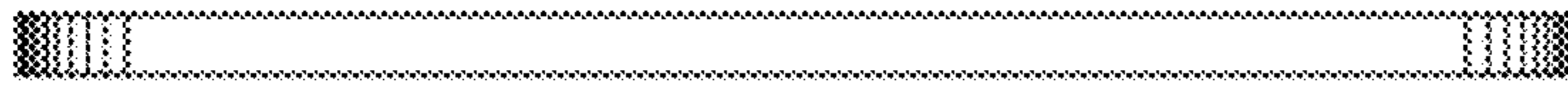


Fig 16

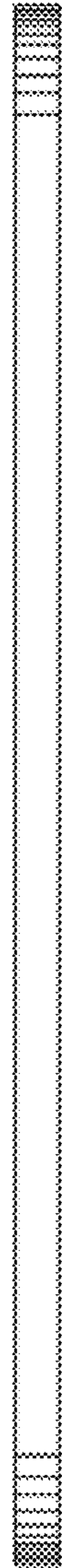


Fig 17



Fig 18