



US00D659752S

(12) **United States Design Patent**
Okamoto et al.

(10) **Patent No.:** **US D659,752 S**

(45) **Date of Patent:** **** May 15, 2012**

(54) **TONER CARTRIDGE**

(75) Inventors: **Masaya Okamoto**, Kanagawa (JP);
Kota Furuhata, Kanagawa (JP)

(73) Assignee: **Fuji Xerox Co., Ltd.**, Tokyo (JP)

(**) Term: **14 Years**

(21) Appl. No.: **29/369,856**

(22) Filed: **Sep. 14, 2010**

(30) **Foreign Application Priority Data**

Mar. 17, 2010 (JP) 2010-006491

(51) **LOC (9) Cl.** **16-03**

(52) **U.S. Cl.** **D18/43**

(58) **Field of Classification Search** D14/471;
D18/12, 36, 40, 43, 44, 56; 222/DIG. 1;
347/197, 222; 399/24–28, 107–112, 119,
399/121, 122, 222–224

See application file for complete search history.

(56) **References Cited**

U.S. PATENT DOCUMENTS

D431,593 S * 10/2000 Gumbe D18/40
D471,582 S * 3/2003 Mori D18/40
D529,947 S * 10/2006 Nakajima et al. D18/43
D529,948 S * 10/2006 Jimba et al. D18/43

D530,359 S * 10/2006 Isomura et al. D18/43
D530,360 S * 10/2006 Isomura et al. D18/43
D538,333 S * 3/2007 Nakajima et al. D18/43
7,369,798 B2 * 5/2008 Sasae et al. 399/262
D618,721 S * 6/2010 Wasai D18/43

FOREIGN PATENT DOCUMENTS

JP 4370540 B1 11/2009
JP 4371177 B1 11/2009
JP 4433095 B1 3/2010

* cited by examiner

Primary Examiner — Garth Rademaker

(74) *Attorney, Agent, or Firm* — Sughrue Mion, PLLC

(57) **CLAIM**

The ornamental design for a toner cartridge, as shown and described.

DESCRIPTION

FIG. 1 is a top, front, left side perspective view of a toner cartridge showing our new design;
FIG. 2 is a top, rear, right side perspective view thereof;
FIG. 3 is a front view thereof;
FIG. 4 is a rear view thereof;
FIG. 5 is a top plan view thereof;
FIG. 6 is a bottom view thereof;
FIG. 7 is a left side view thereof; and,
FIG. 8 is a right side view thereof.

The portions of the article in broken line are shown for illustrative purposes only and form no part of the claimed design.

1 Claim, 7 Drawing Sheets

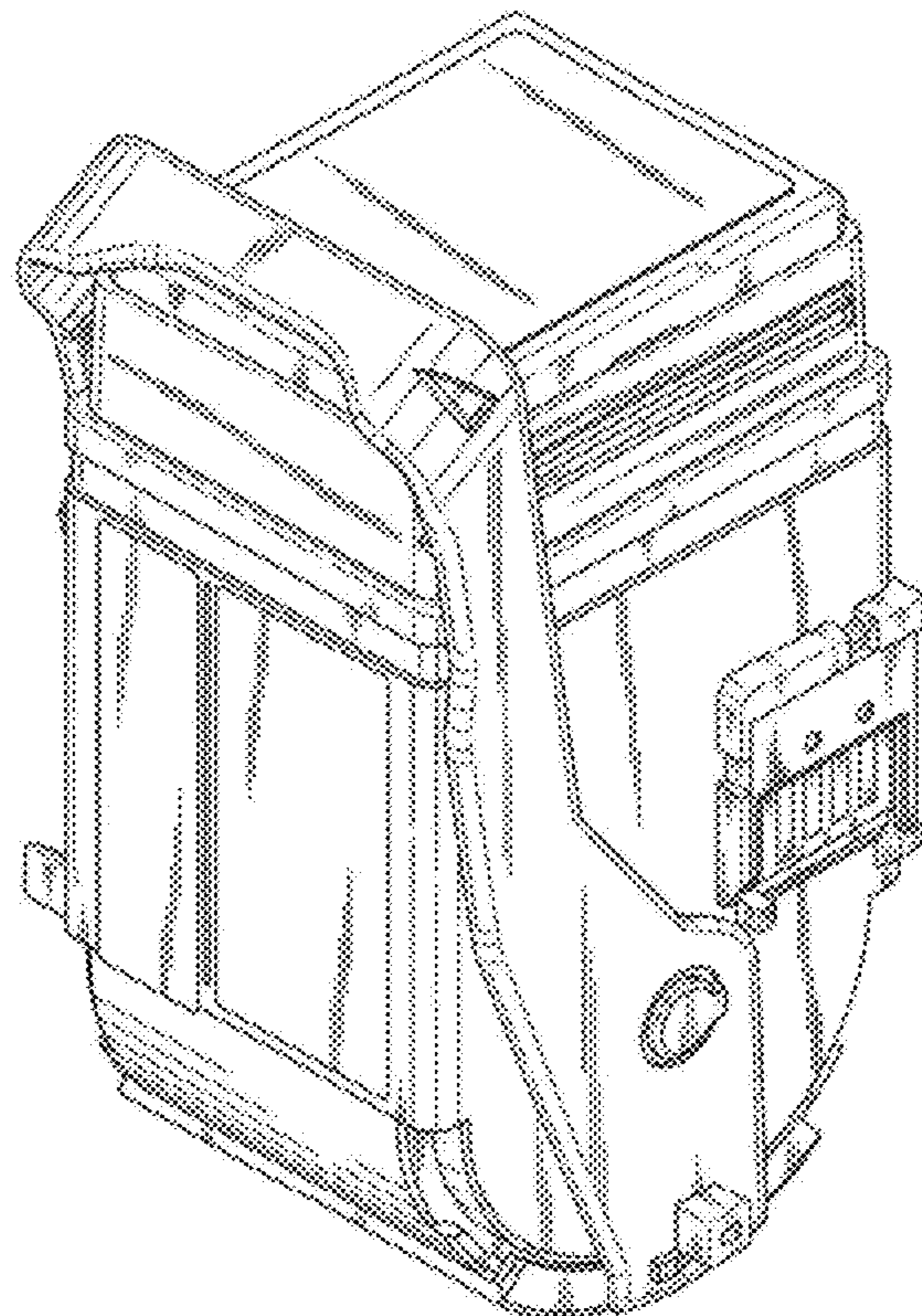
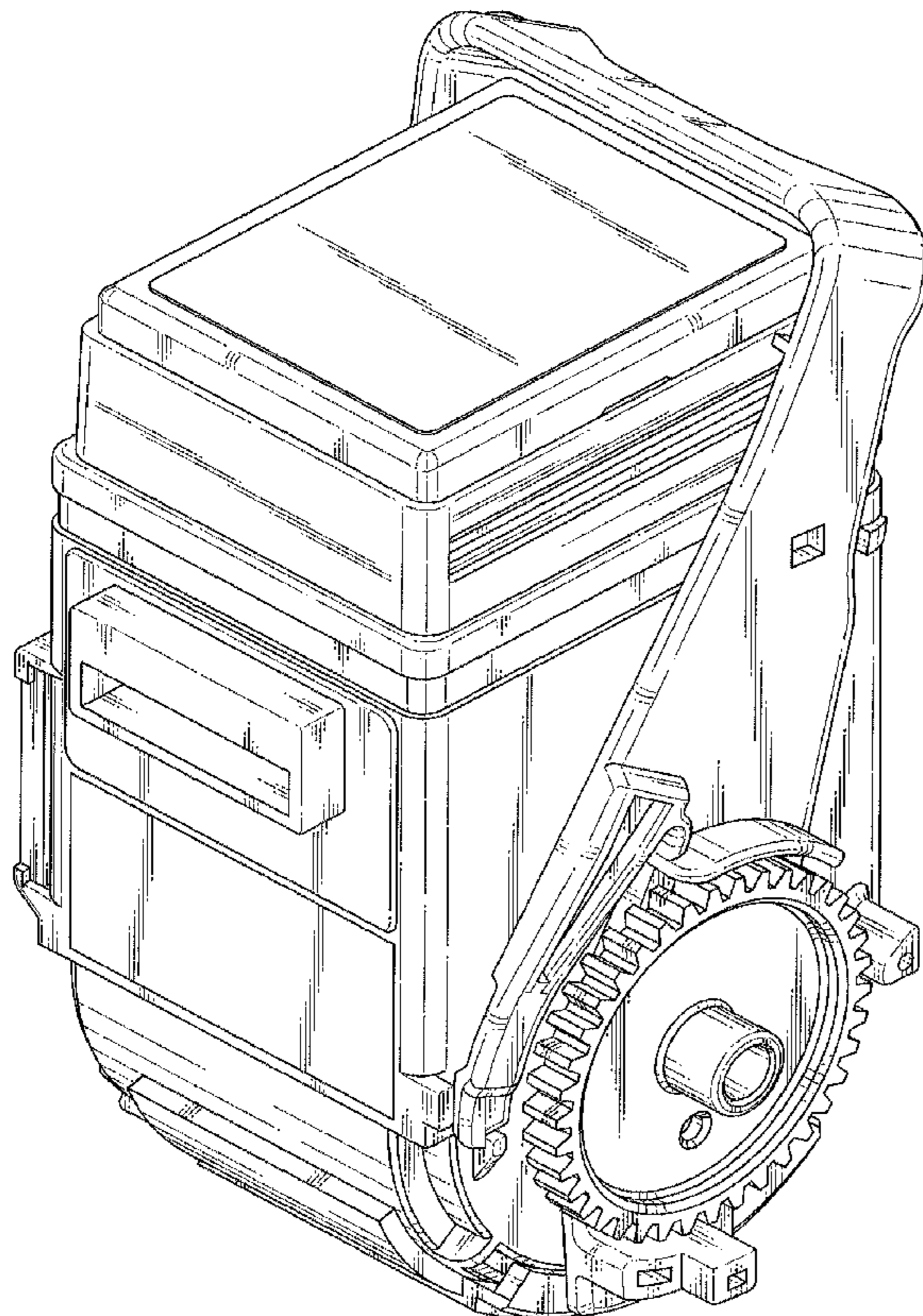


FIG. 1

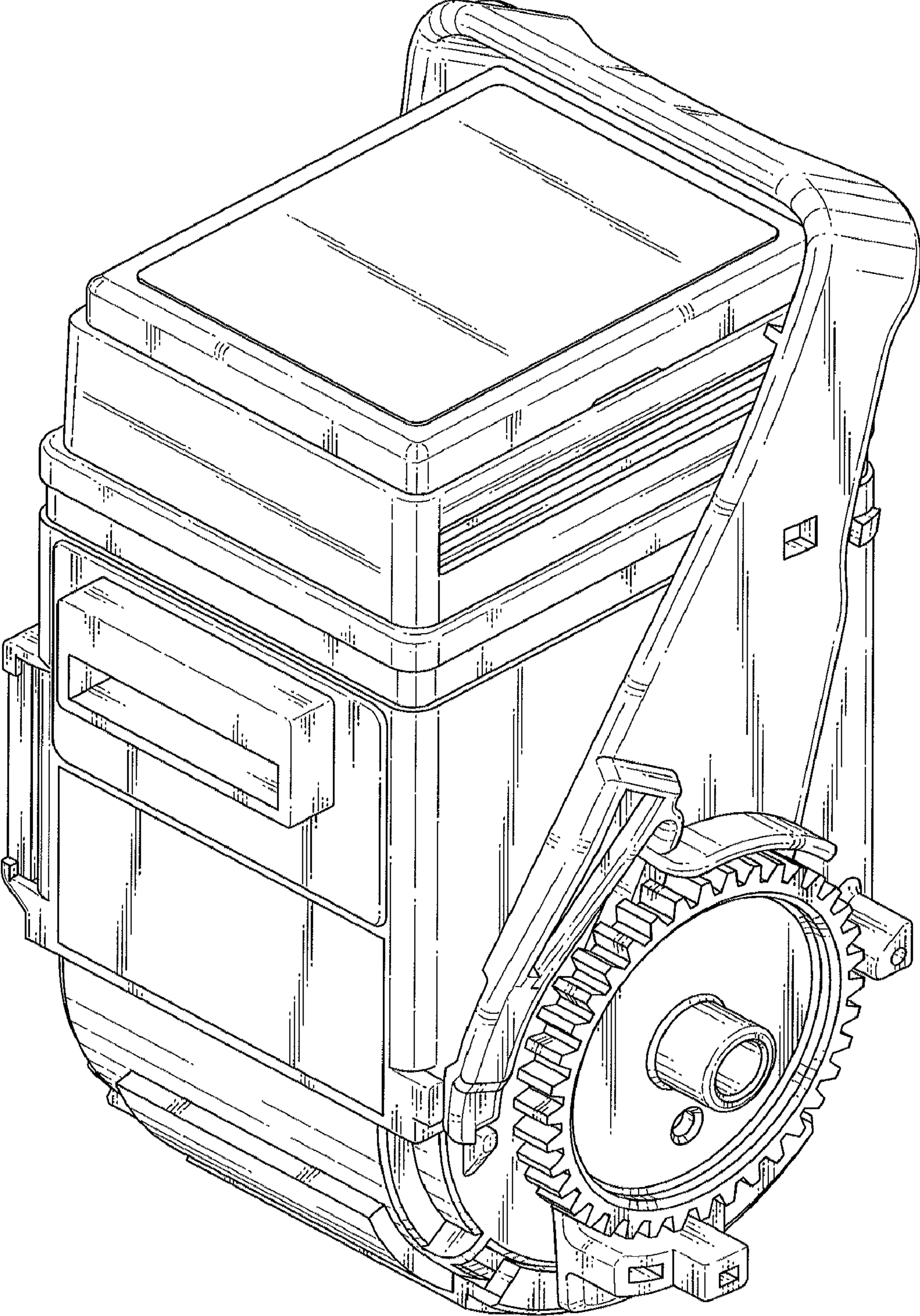


FIG. 2

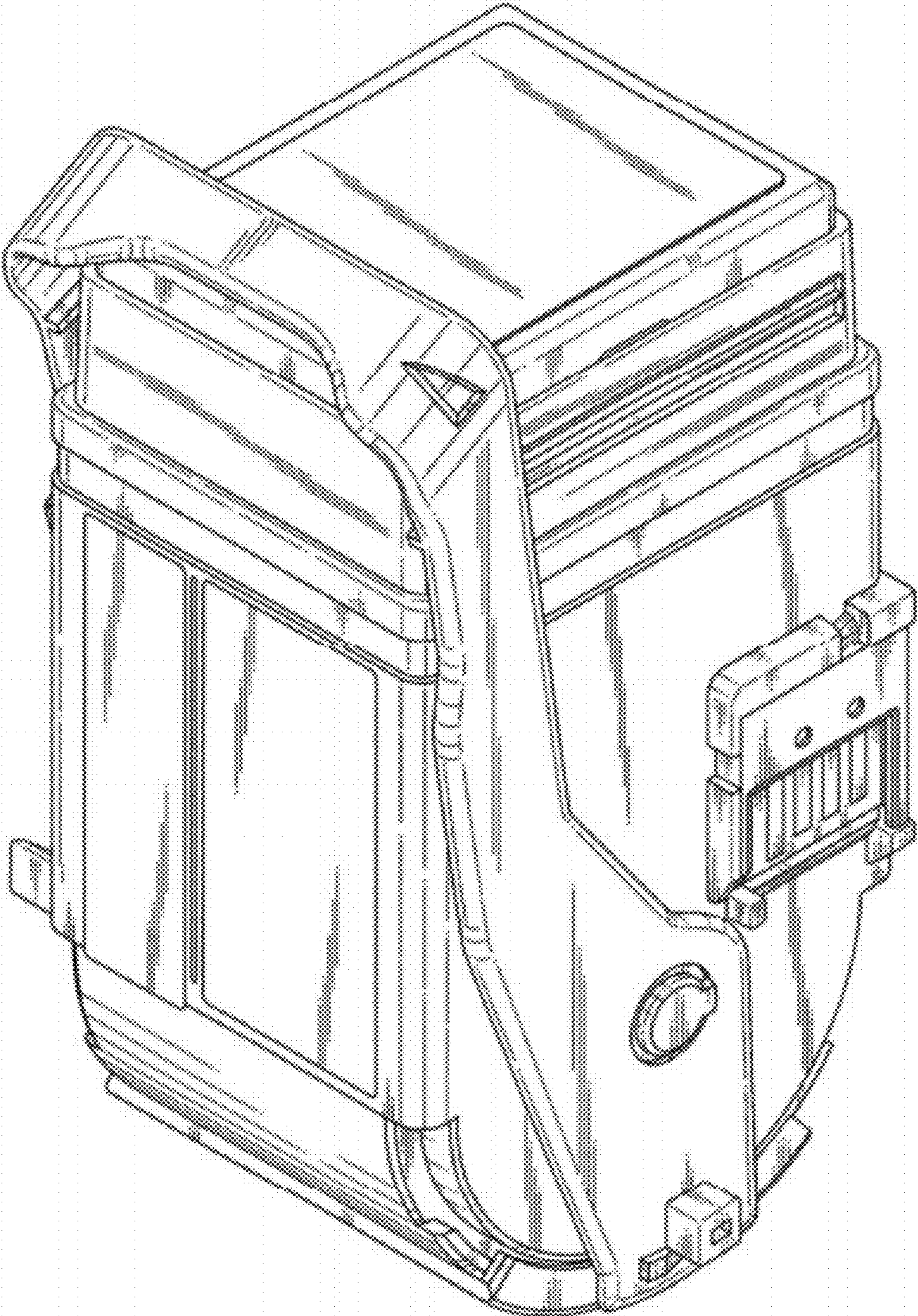


FIG. 3

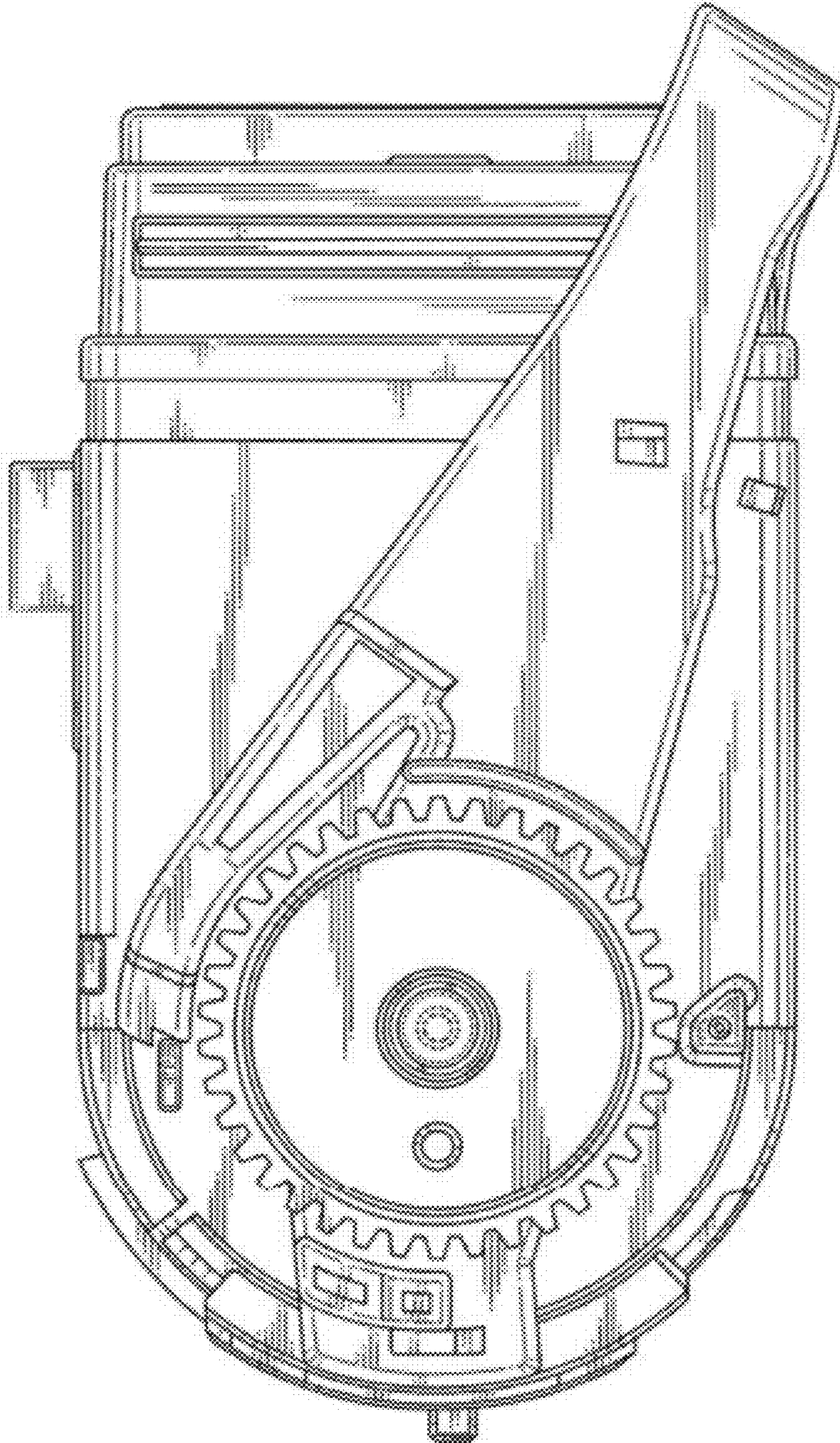


FIG.4

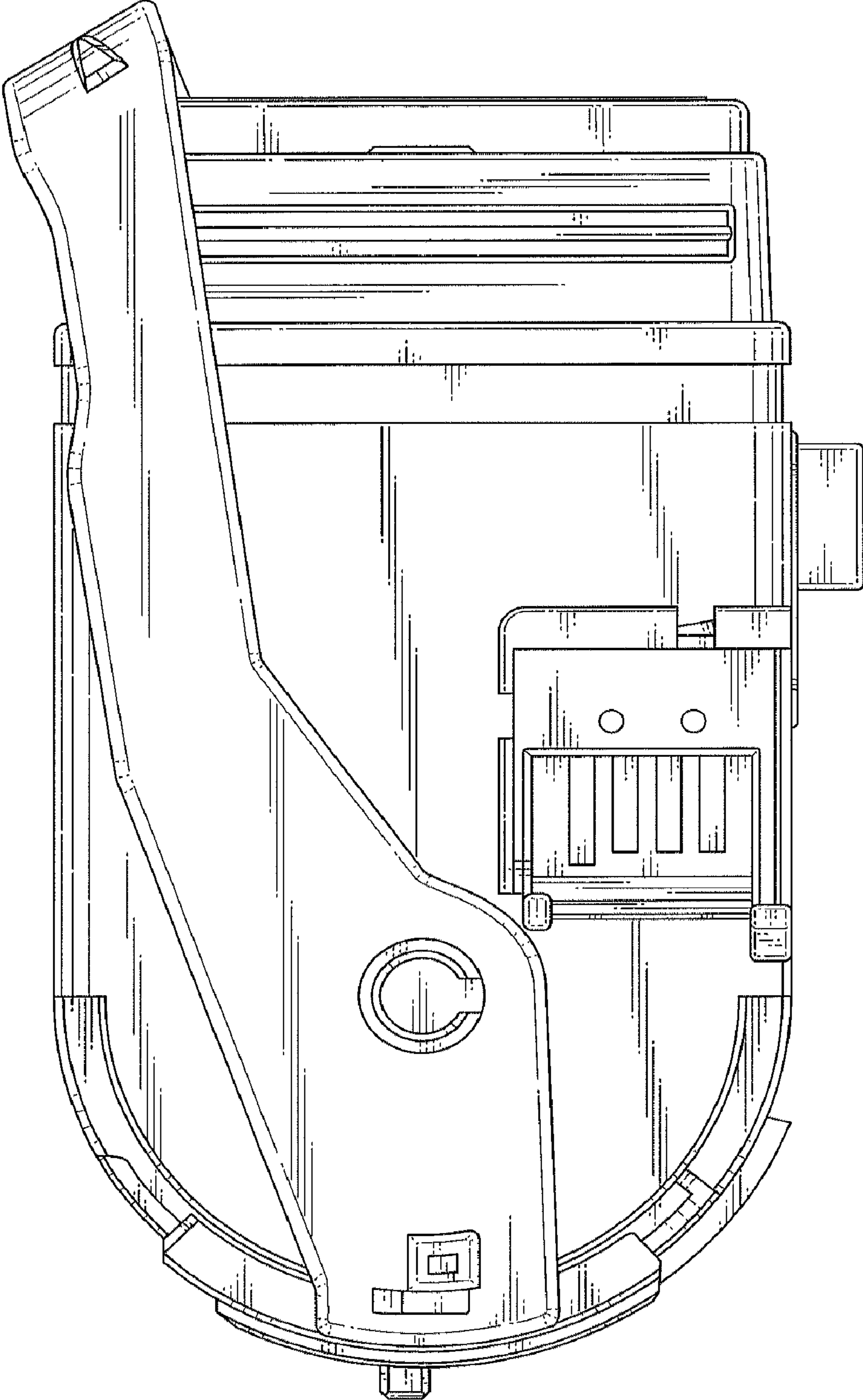


FIG.5

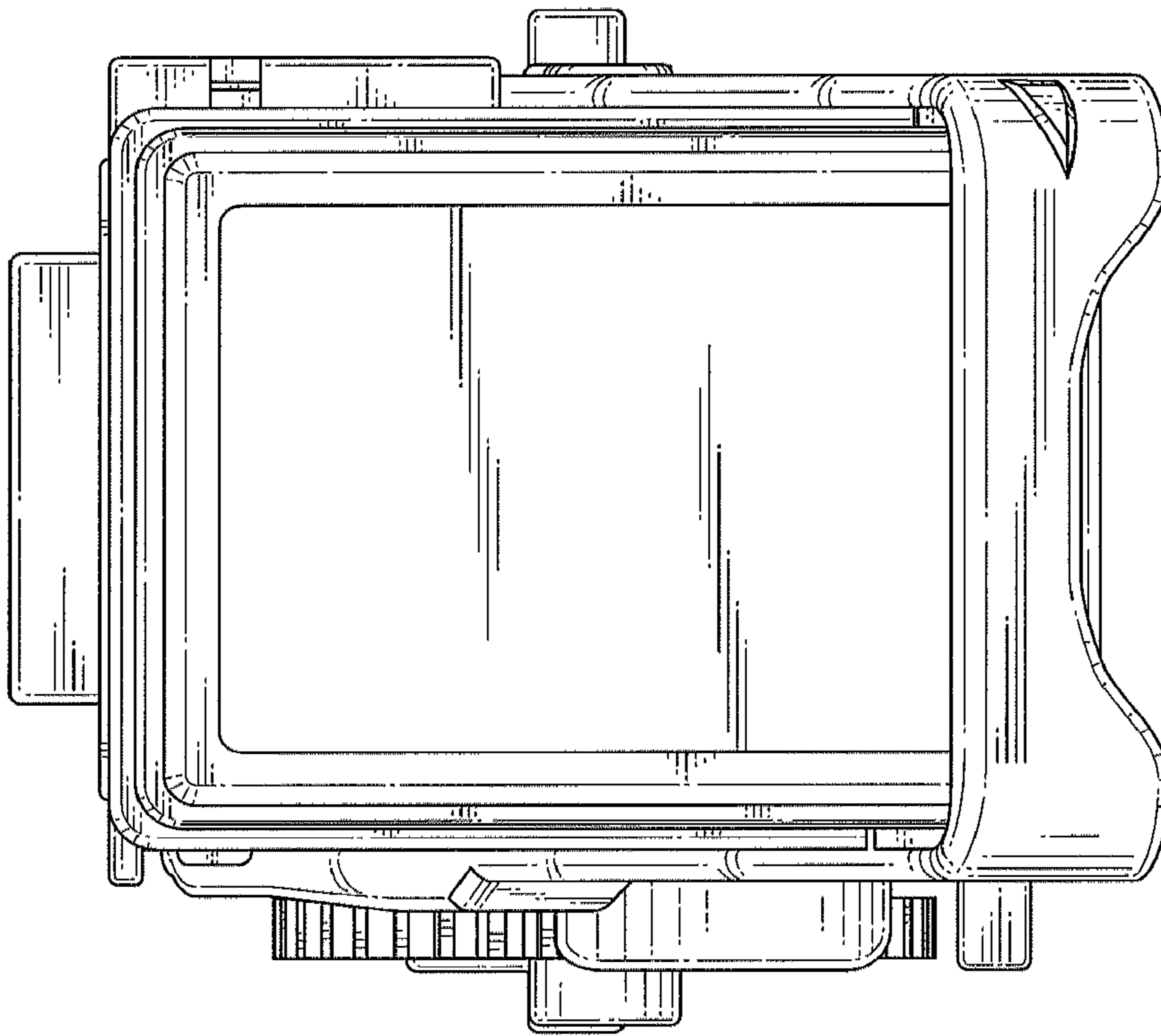


FIG.6

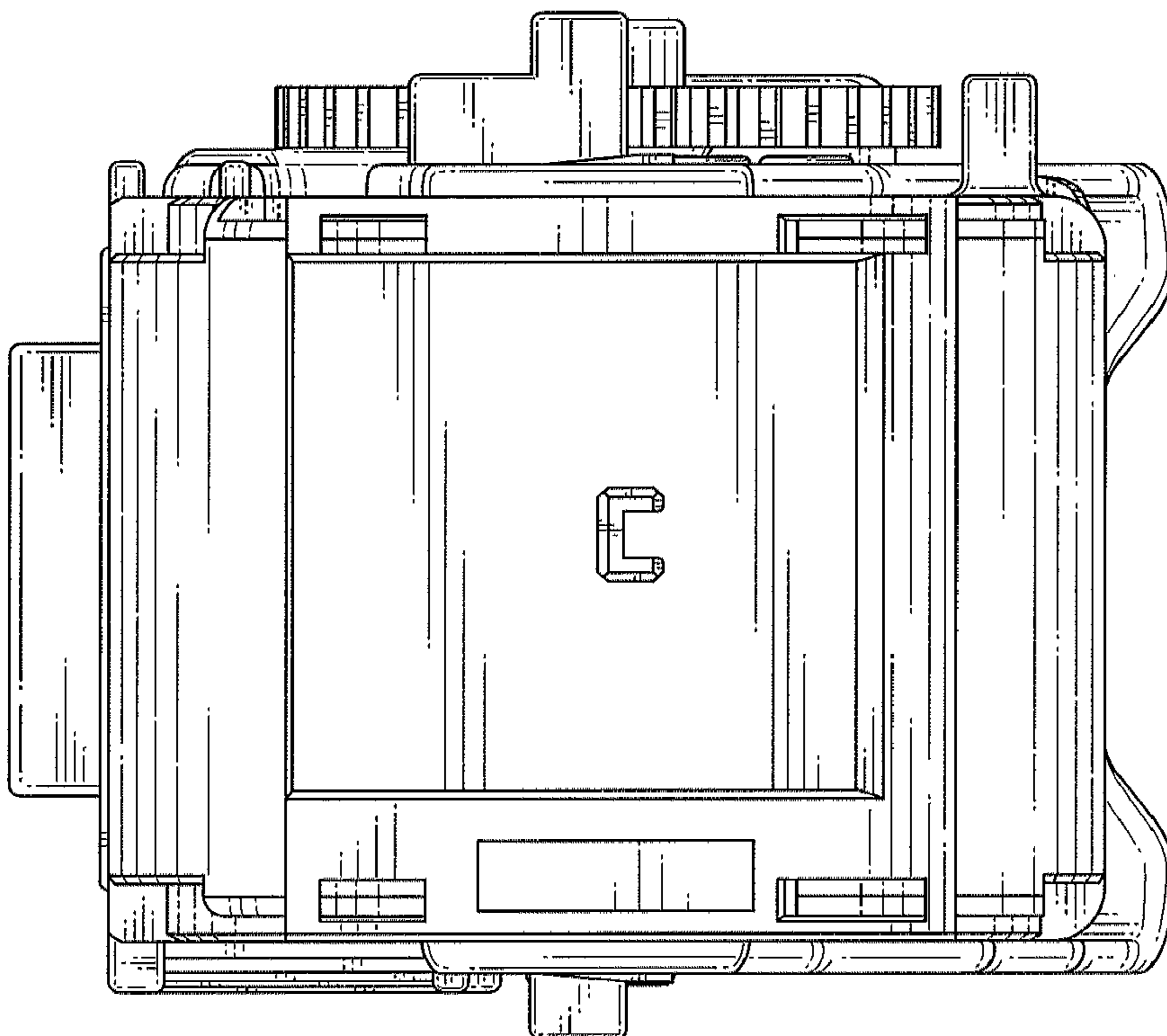


FIG. 7

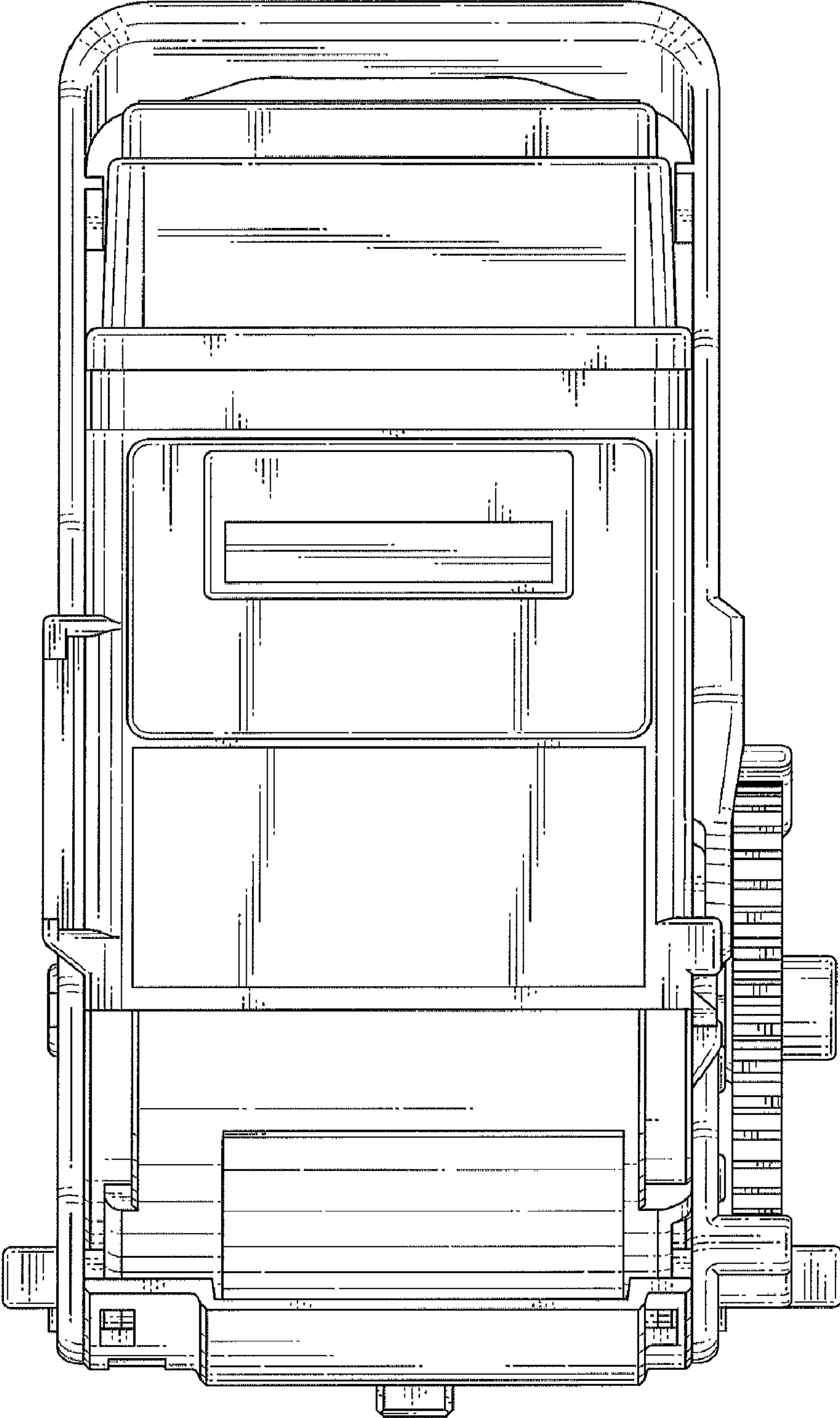


FIG. 8

