



US00D659751S

(12) **United States Design Patent**  
**Okamoto et al.**

(10) **Patent No.:** **US D659,751 S**

(45) **Date of Patent:** **\*\* May 15, 2012**

(54) **TONER CARTRIDGE**

(75) Inventors: **Masaya Okamoto**, Kanagawa (JP);  
**Kota Furuhata**, Kanagawa (JP)

(73) Assignee: **Fuji Xerox Co., Ltd.**, Tokyo (JP)

(\*\*) Term: **14 Years**

(21) Appl. No.: **29/369,848**

(22) Filed: **Sep. 14, 2010**

(30) **Foreign Application Priority Data**

Mar. 17, 2010 (JP) ..... 2010-006493

(51) **LOC (9) Cl.** ..... **16-03**

(52) **U.S. Cl.** ..... **D18/43**

(58) **Field of Classification Search** ..... D14/471;  
D18/12, 36, 40, 43, 44, 56; 222/DIG. 1;  
347/197, 222; 399/24-28, 107-112, 119,  
399/121, 122, 222-224

See application file for complete search history.

(56) **References Cited**

**U.S. PATENT DOCUMENTS**

D431,593	S	*	10/2000	Gumbe	.....	D18/40
D471,582	S	*	3/2003	Mori	.....	D18/40
D529,947	S	*	10/2006	Nakajima et al.	.....	D18/43
D529,948	S	*	10/2006	Jimba et al.	.....	D18/43
D530,359	S	*	10/2006	Isomura et al.	.....	D18/43
D530,360	S	*	10/2006	Isomura et al.	.....	D18/43

D538,333	S	*	3/2007	Nakajima et al.	.....	D18/43
7,369,798	B2	*	5/2008	Sasae et al.	.....	399/262
D618,721	S	*	6/2010	Wasai	.....	D18/43

**FOREIGN PATENT DOCUMENTS**

JP	4370540	B1	11/2009
JP	4371177	B1	11/2009
JP	4433095	B1	3/2010

**OTHER PUBLICATIONS**

U.S. Appl. No. 29/369,856, Okamoto et al., filed Sep. 14, 2010.\*

\* cited by examiner

*Primary Examiner* — Garth Rademaker

(74) *Attorney, Agent, or Firm* — Sughrue Mion, PLLC

(57) **CLAIM**

The ornamental design for a toner cartridge, as shown and described.

**DESCRIPTION**

FIG. 1 is a top, front, left side perspective view of a toner cartridge showing our new design;

FIG. 2 is a top, rear, right side perspective view thereof;

FIG. 3 is a front view thereof;

FIG. 4 is a rear view thereof;

FIG. 5 is a top plan view thereof;

FIG. 6 is a bottom view thereof;

FIG. 7 is a left side view thereof; and,

FIG. 8 is a right side view thereof.

The broken lines depict environmental subject matter only and form no part of the claimed design.

**1 Claim, 7 Drawing Sheets**

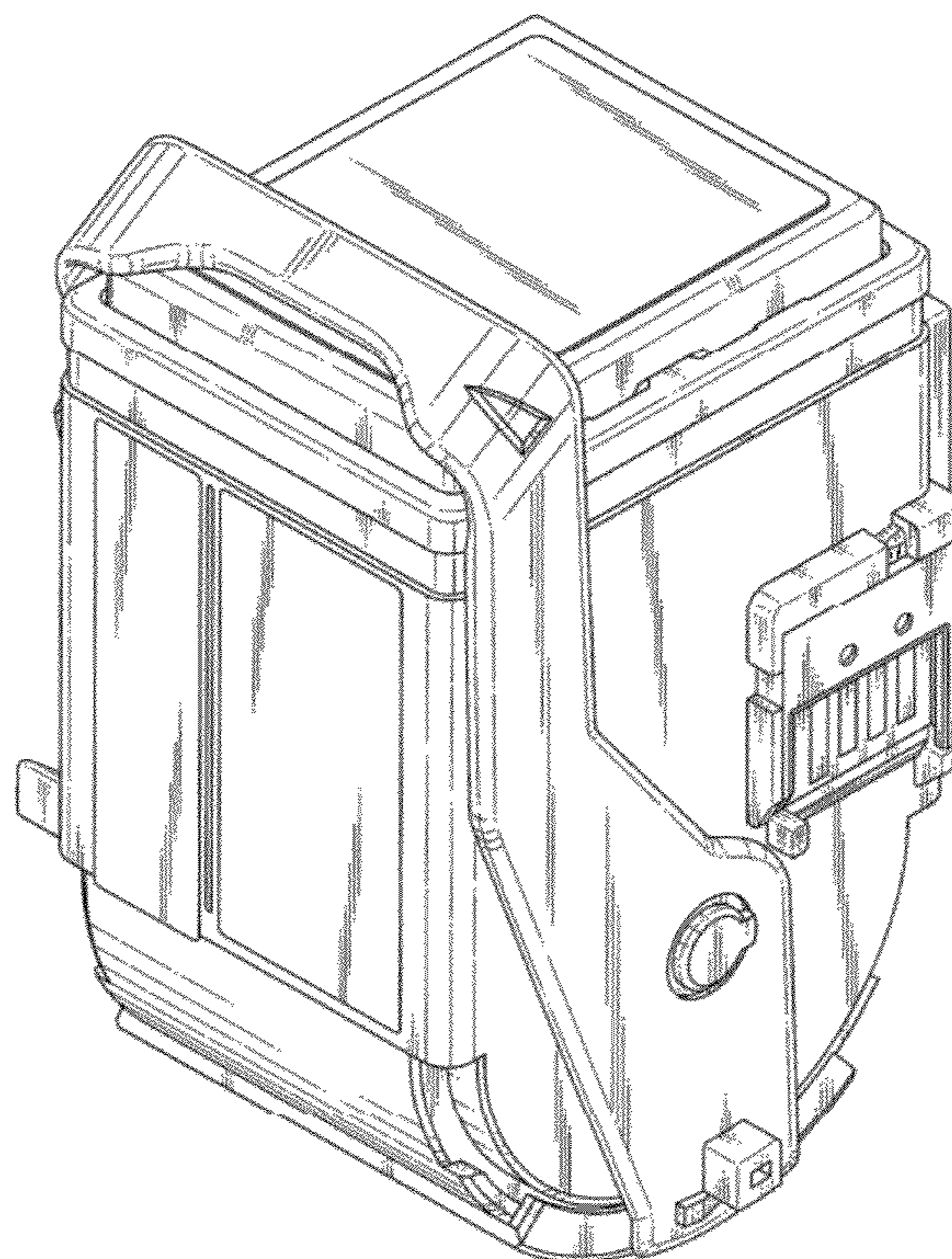
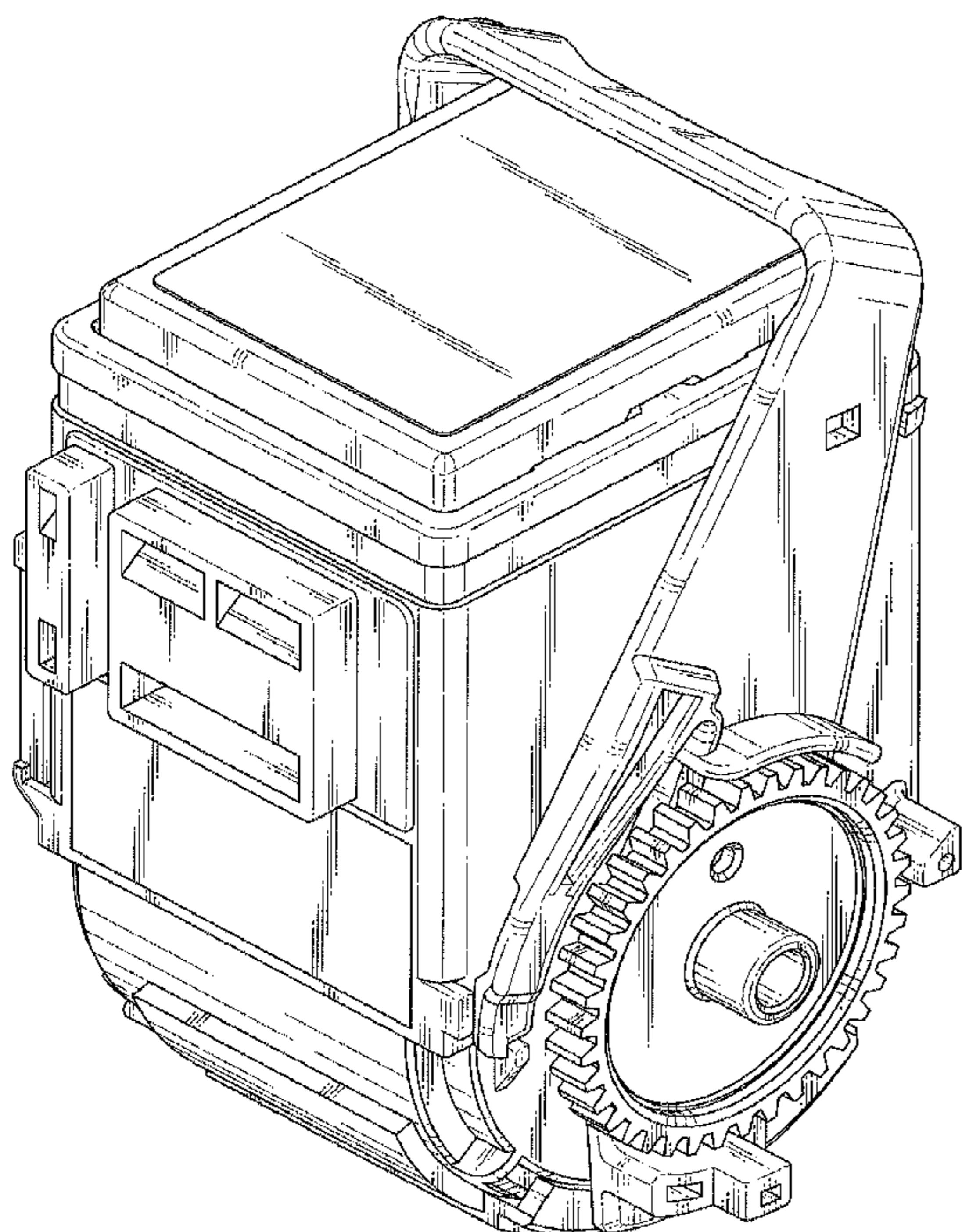


FIG.1

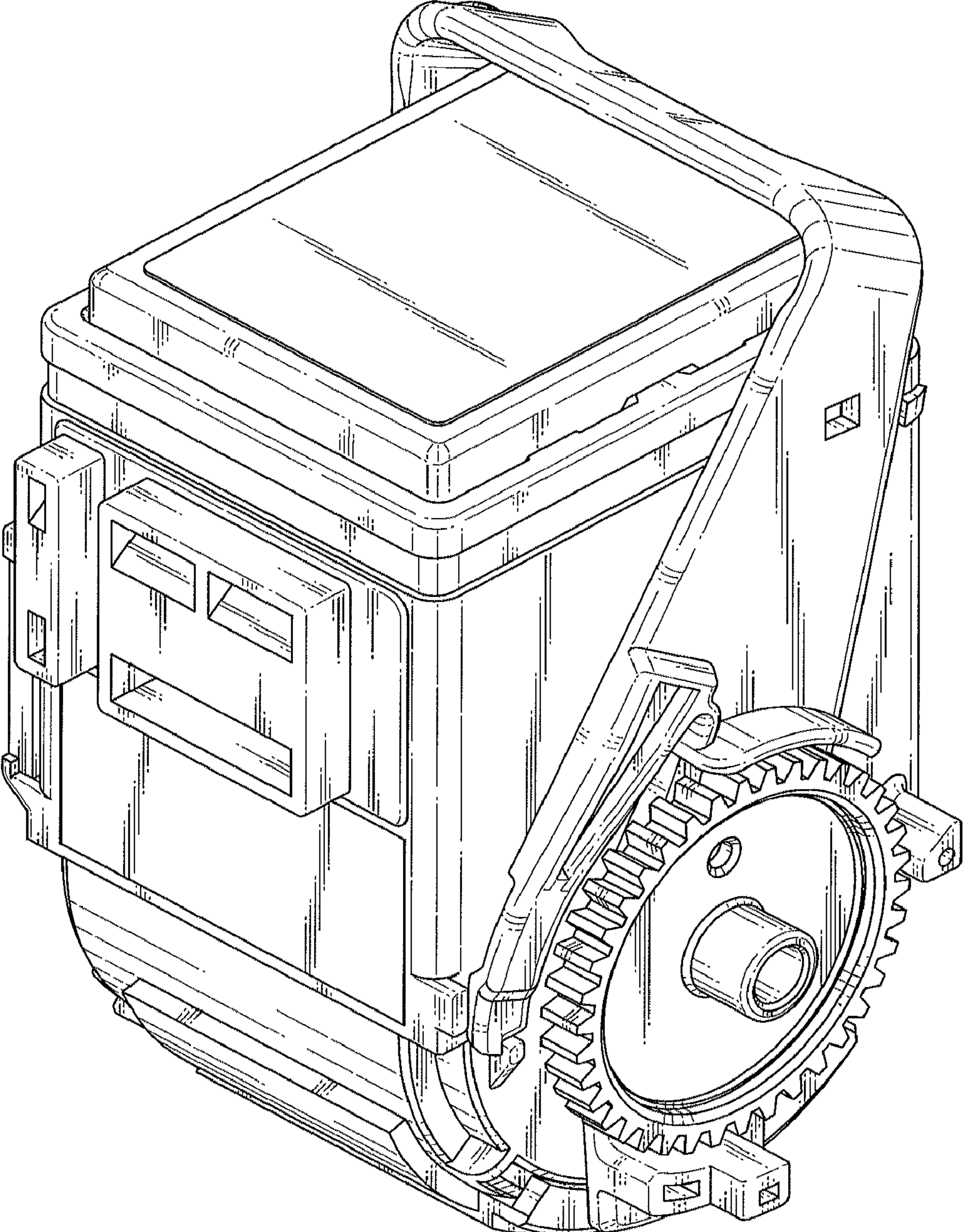


FIG.2

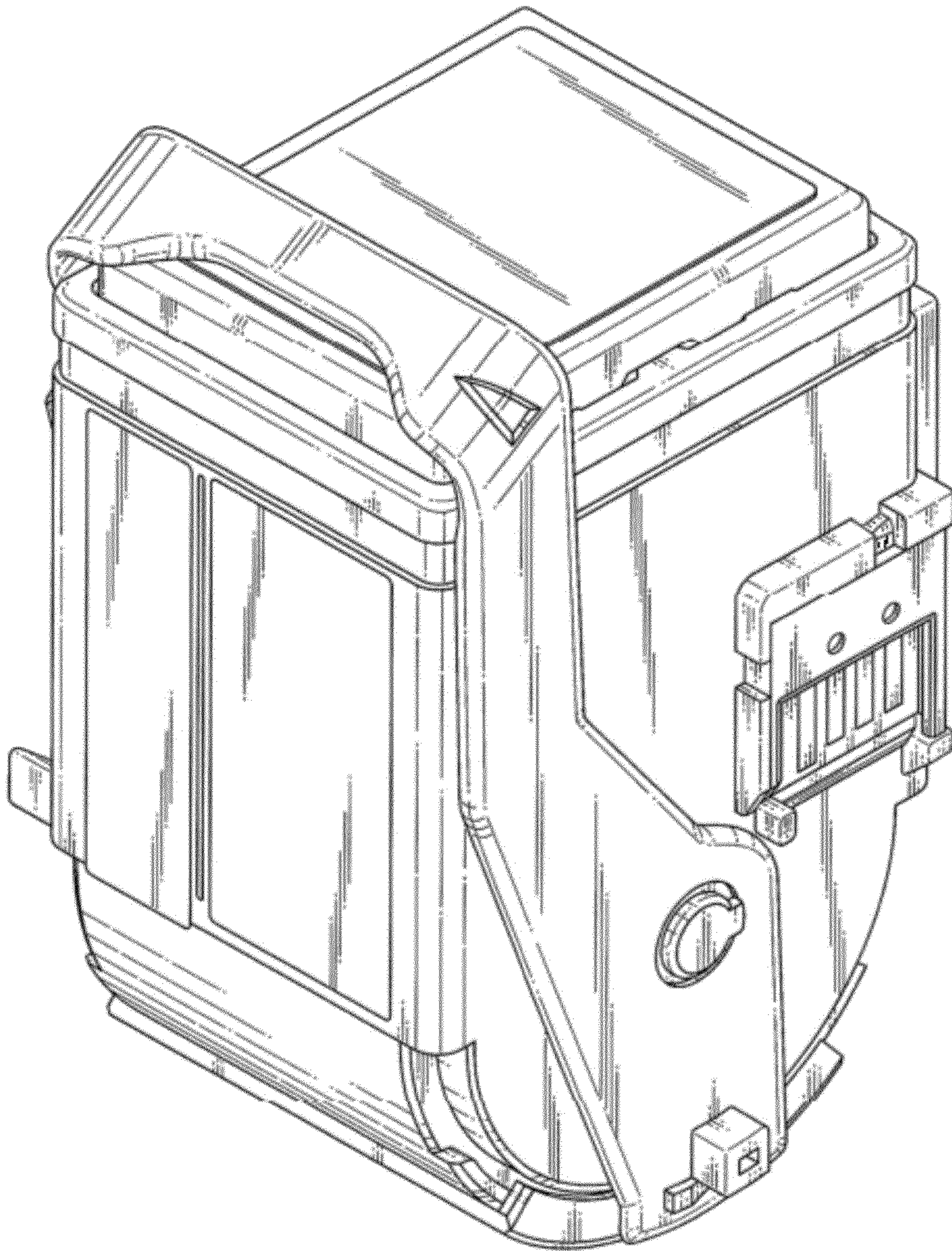


FIG.3

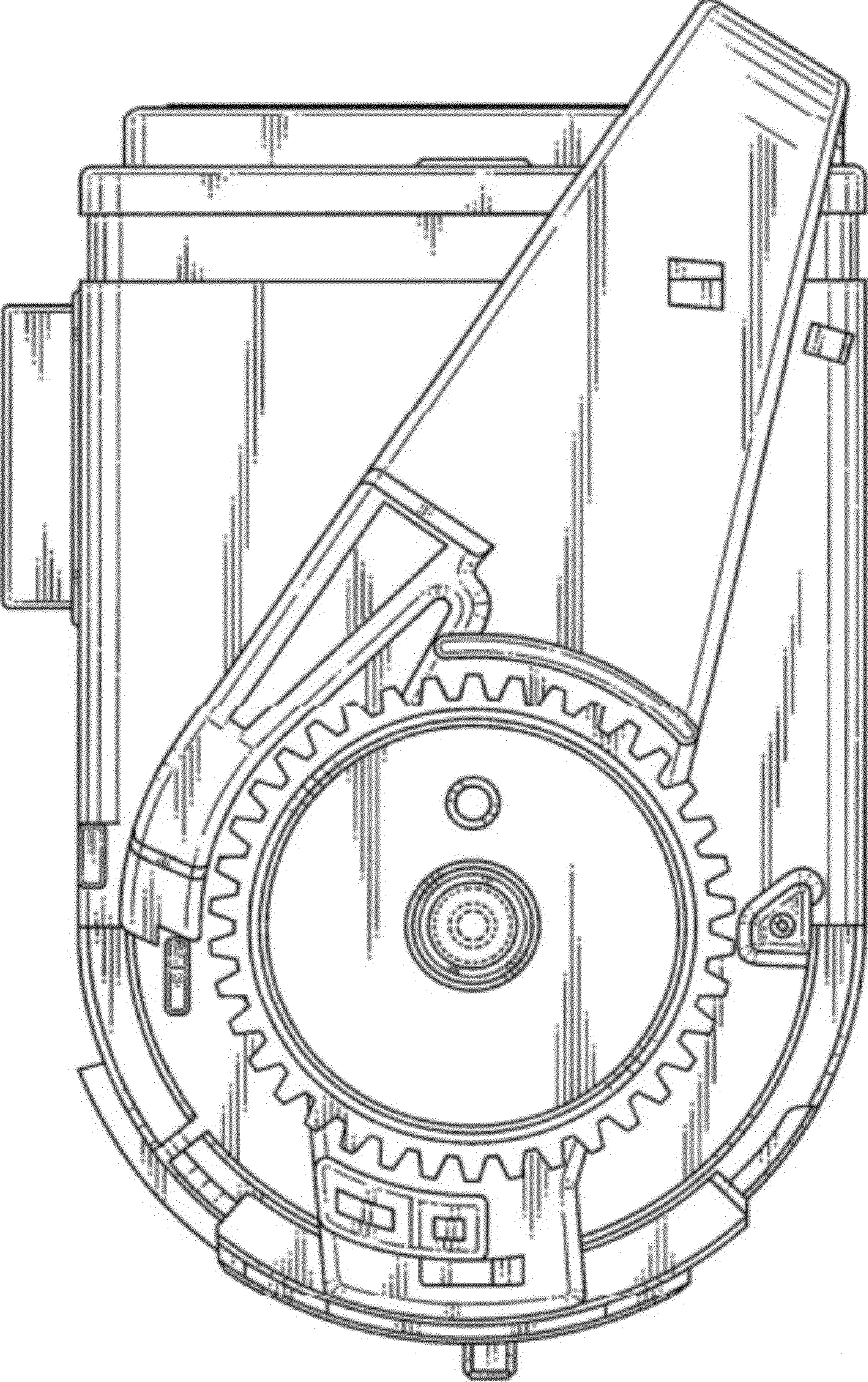


FIG.4

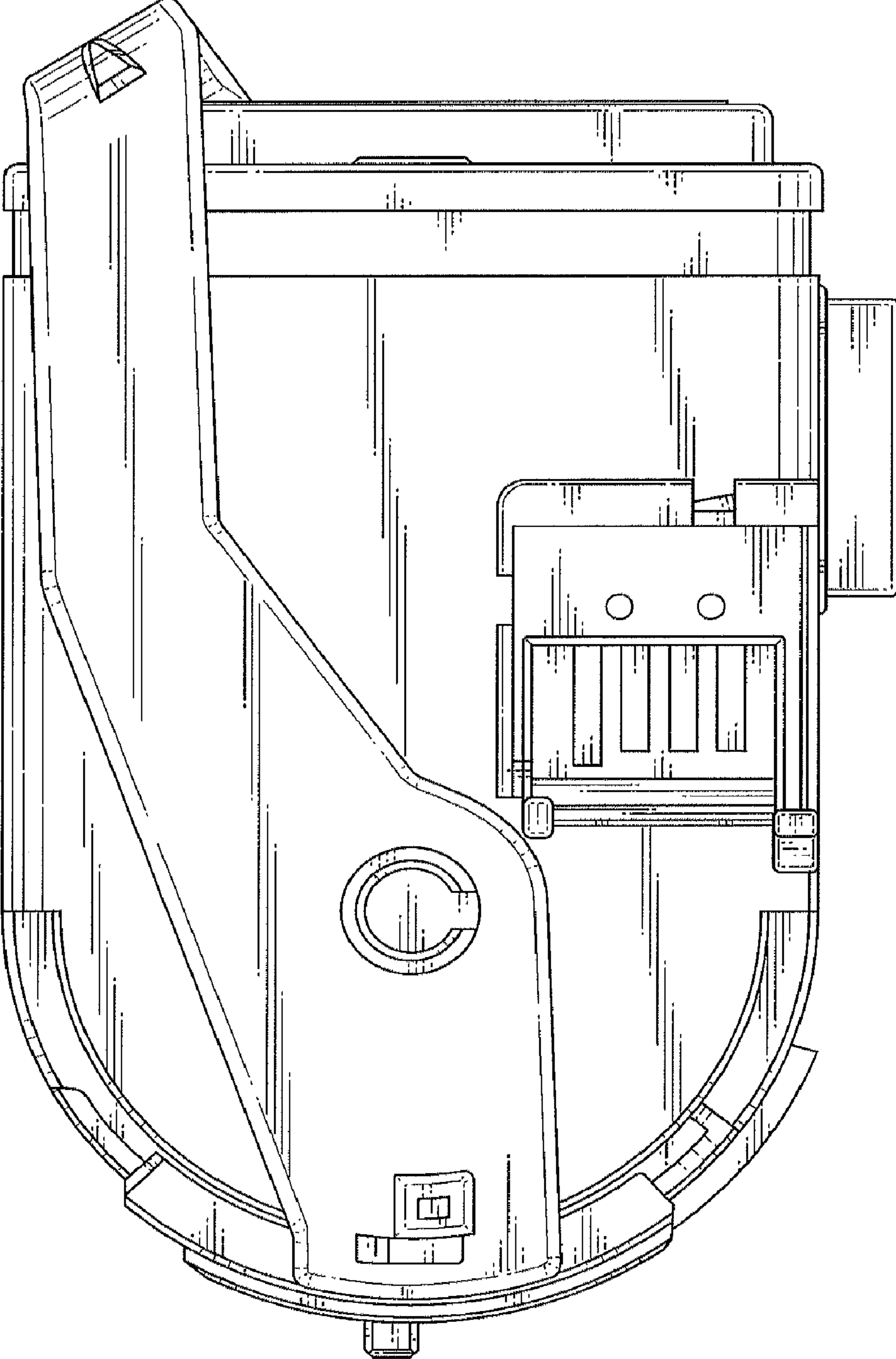


FIG.5

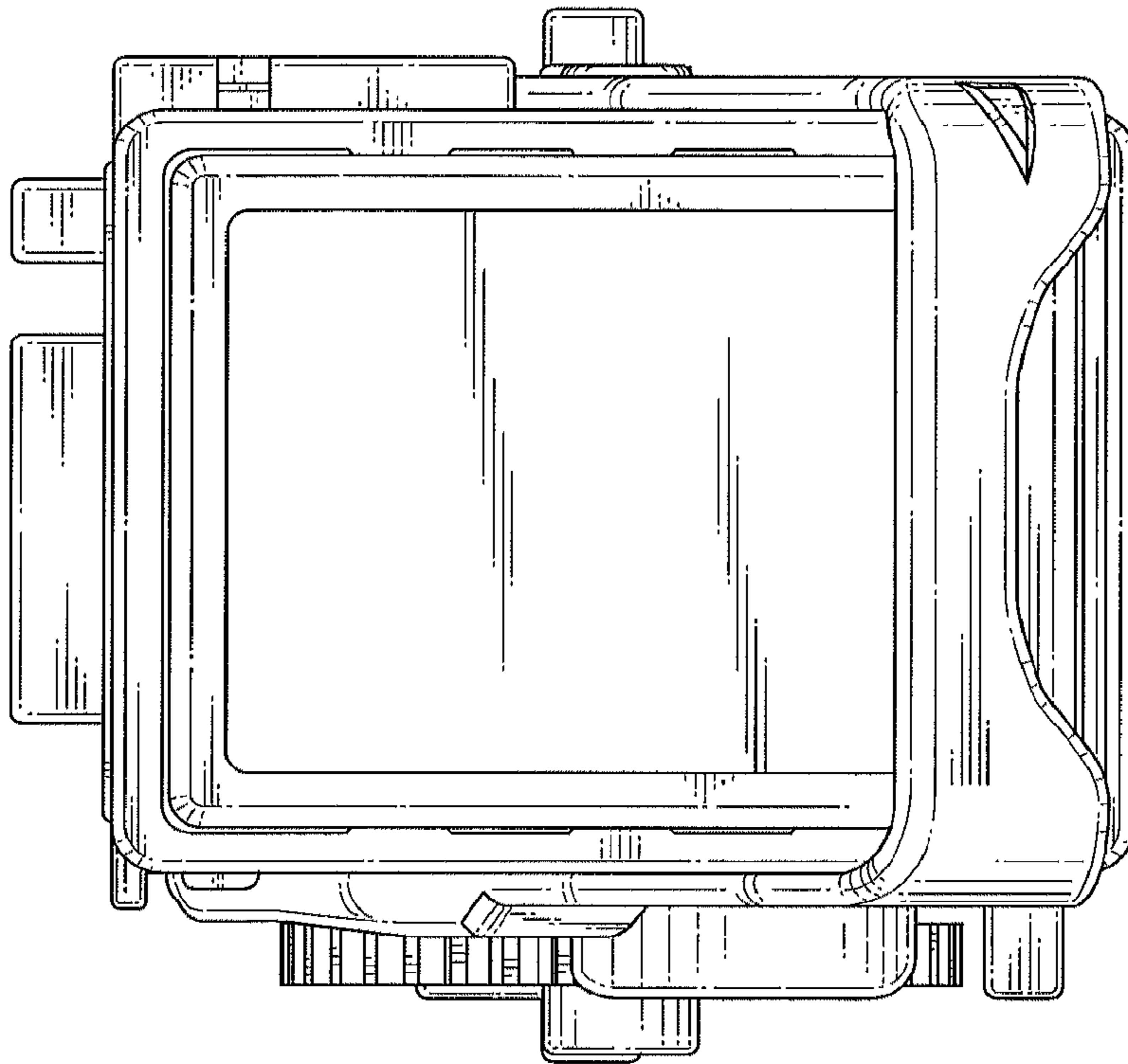


FIG.6

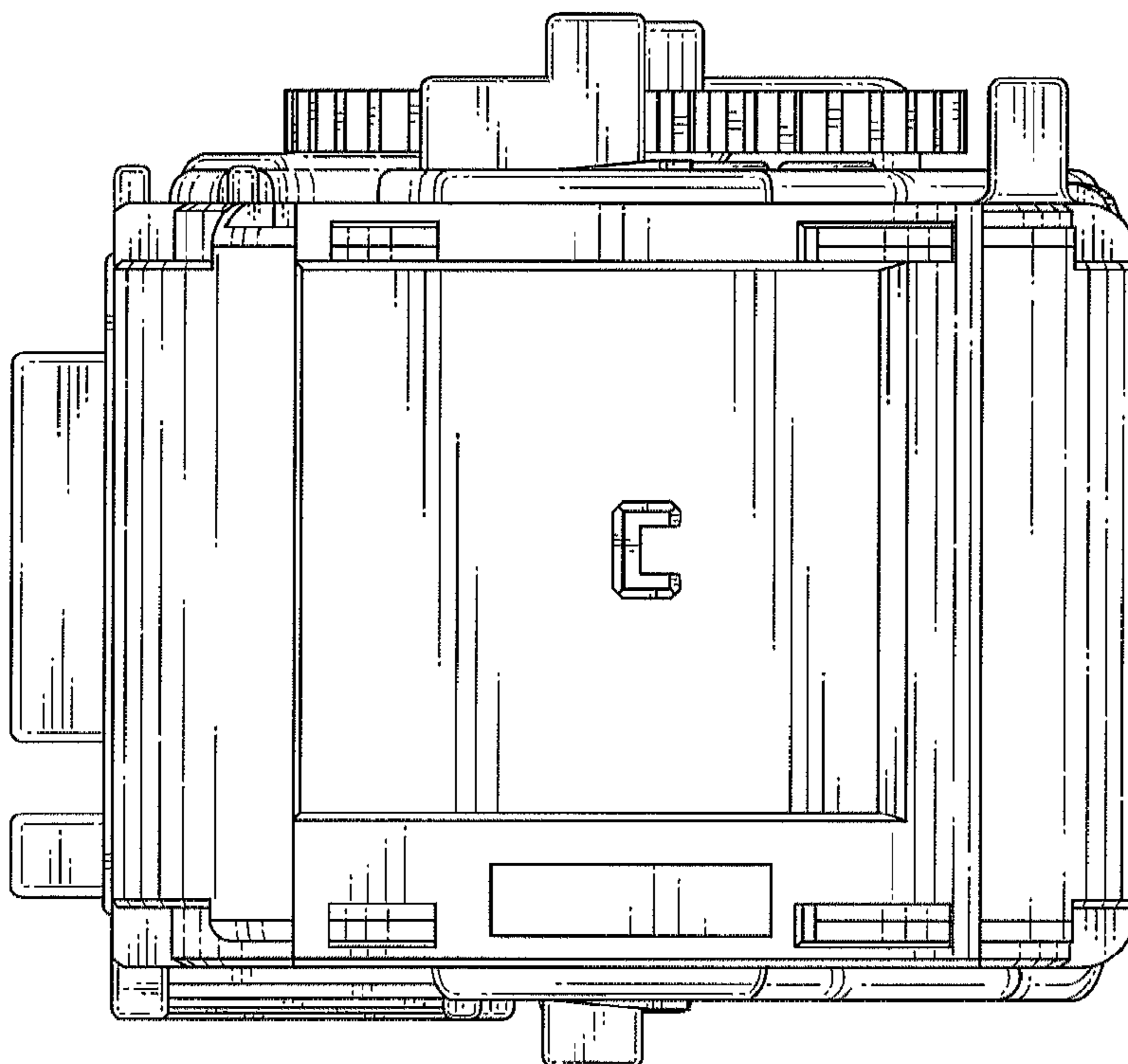


FIG. 7

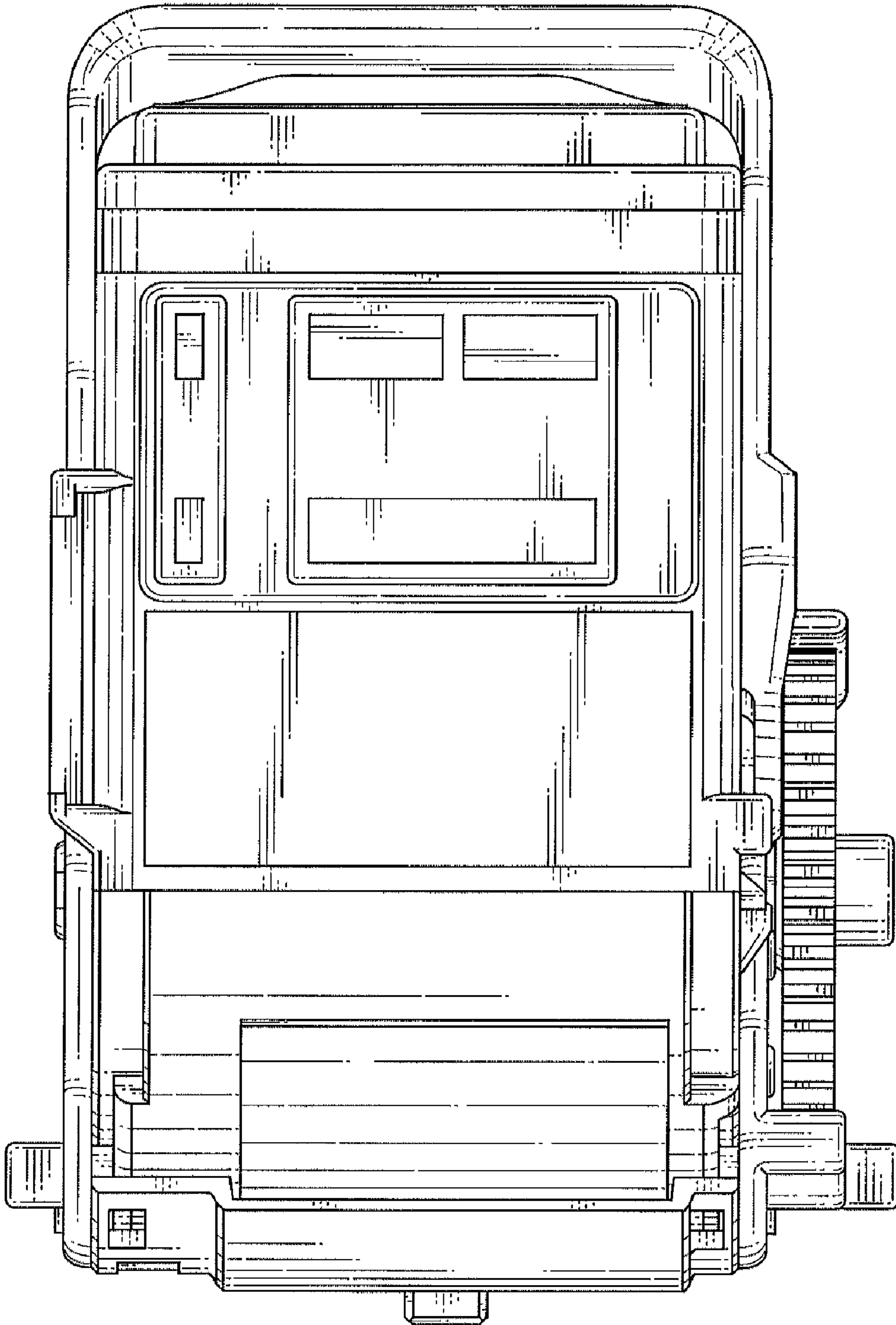


FIG. 8

