



US00D659750S

(12) **United States Design Patent**  
**Nagano et al.**

(10) **Patent No.:** **US D659,750 S**  
(45) **Date of Patent:** **\*\* May 15, 2012**

(54) **OPERATION PANEL FOR AN ELECTRONIC  
COPYING MACHINE**

(75) Inventors: **Masakazu Nagano**, Nishinomiya (JP);  
**Yu Iritani**, Akiruno (JP)

(73) Assignee: **Konica Minolta Business Technologies,  
Inc.**, Chiyoda-Ku, Tokyo (JP)

(\*\*) Term: **14 Years**

(21) Appl. No.: **29/401,176**

(22) Filed: **Sep. 8, 2011**

(30) **Foreign Application Priority Data**

Mar. 18, 2011 (JP) ..... 2011-006309

(51) **LOC (9) Cl.** ..... **16-03**

(52) **U.S. Cl.** ..... **D18/41**

(58) **Field of Classification Search** ..... D14/339,  
D14/341, 342, 374; D18/36-41, 44-56;  
222/DIG. 1; 271/3.14, 8.1, 226, 278; 355/97,  
355/99; 358/1.1; 399/1-7, 16, 75, 81, 107,  
399/130, 151, 361, 365, 367, 381-383, 388  
See application file for complete search history.

(56) **References Cited**

**U.S. PATENT DOCUMENTS**

D296,334 S \* 6/1988 Hara ..... D18/36  
D323,155 S \* 1/1992 Hino et al. .... D14/339  
D330,545 S \* 10/1992 Ashihara ..... D14/374  
D338,452 S \* 8/1993 Allgeier ..... D14/374

D341,571 S \* 11/1993 Kazmi ..... D14/335  
D346,366 S \* 4/1994 Kim et al. .... D14/342  
D346,591 S \* 5/1994 Lee ..... D14/342  
D352,522 S \* 11/1994 Tomatsu et al. .... D18/40  
D360,194 S \* 7/1995 Shudo ..... D14/341  
D402,979 S \* 12/1998 Ogasawara ..... D14/374  
D529,910 S \* 10/2006 Ota ..... D14/374  
D598,015 S \* 8/2009 Busri ..... D14/341

\* cited by examiner

*Primary Examiner* — Garth Rademaker

(74) *Attorney, Agent, or Firm* — Buchanan Ingersoll &  
Rooney PC

(57) **CLAIM**

The ornamental design for an operation panel for an elec-  
tronic copying machine, as shown and described.

**DESCRIPTION**

FIG. 1 is a front view of an operation panel for an electronic  
copying machine showing our new design;  
FIG. 2 is a rear view thereof;  
FIG. 3 is a top plan view thereof;  
FIG. 4 is a bottom plan view thereof;  
FIG. 5 is a right side view thereof;  
FIG. 6 is a left side view thereof;  
FIG. 7 is a perspective view thereof; and,  
FIG. 8 is a perspective view thereof, shown in an alternate  
position of use.

The broken line portion of the drawings is included to show  
environmental subject matter and forms no part of the  
claimed design.

**1 Claim, 3 Drawing Sheets**

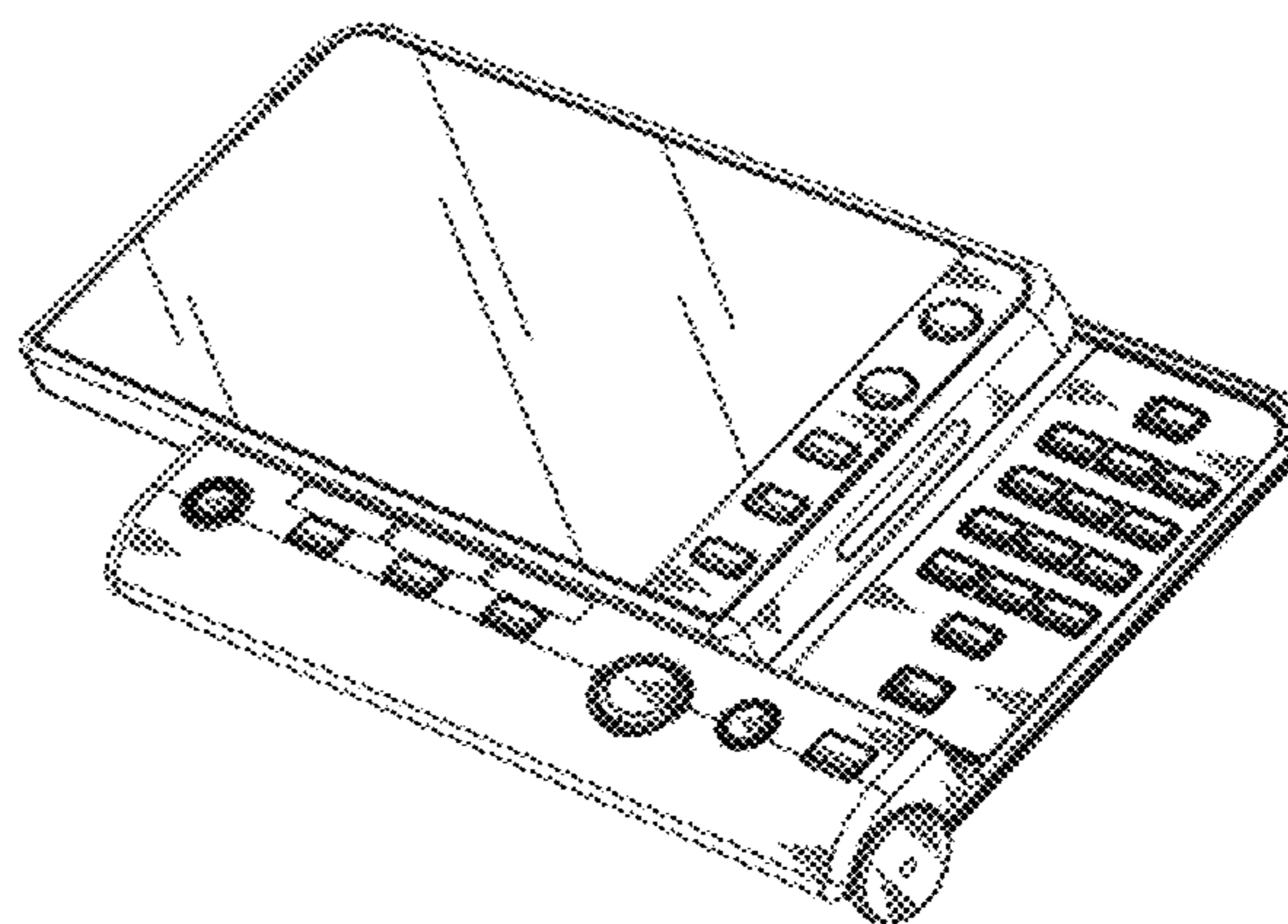
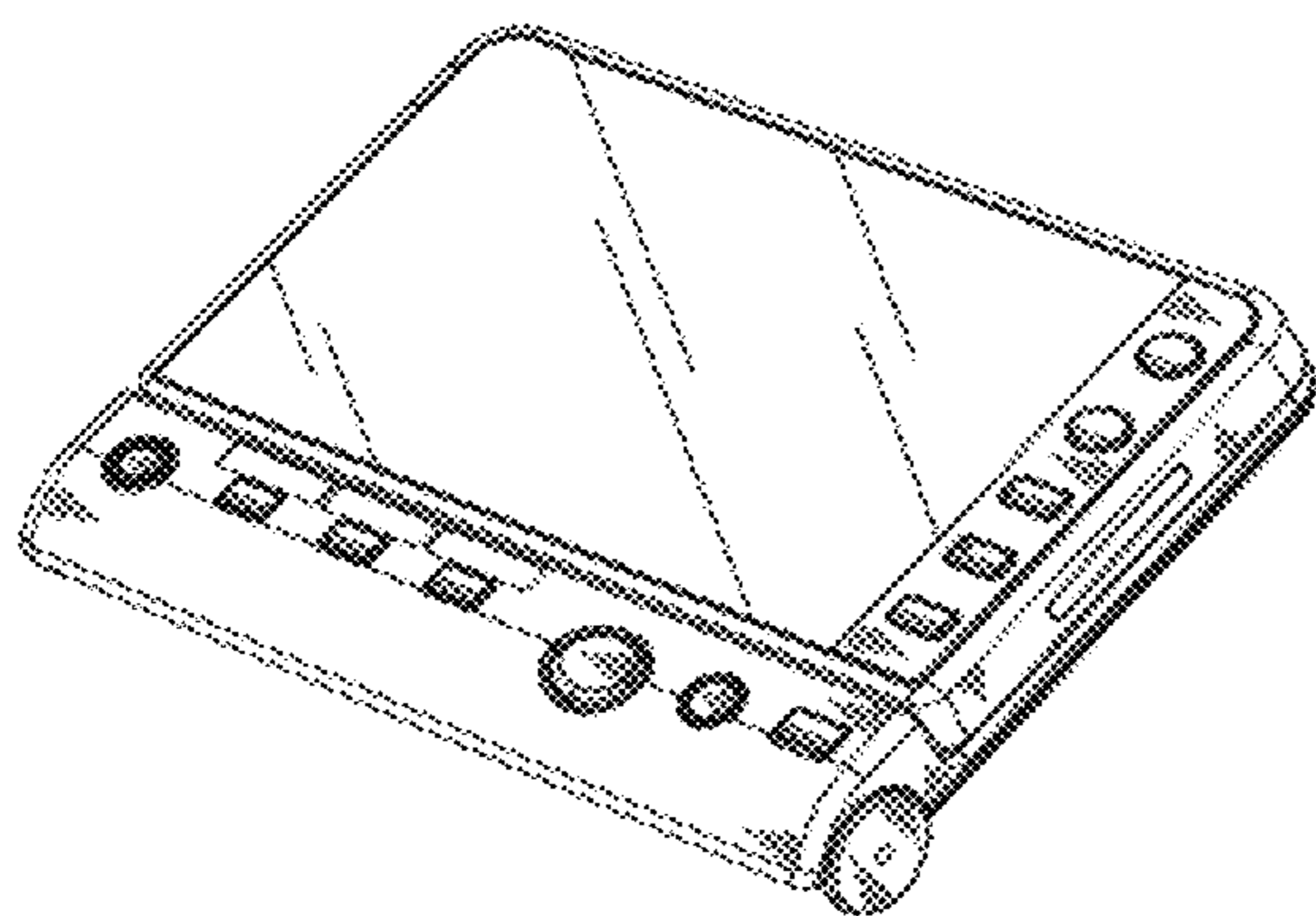


FIG. 1

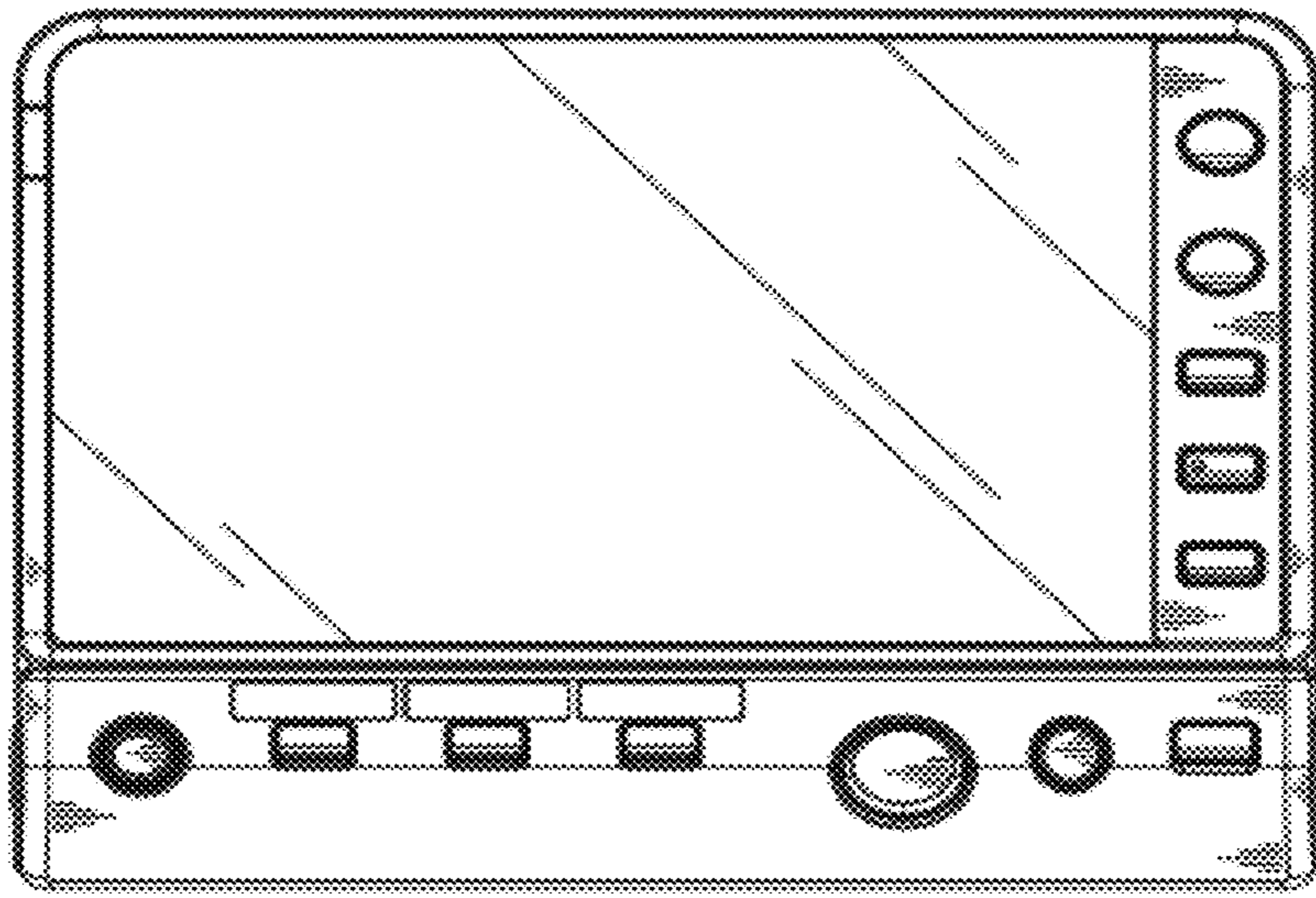


FIG. 2

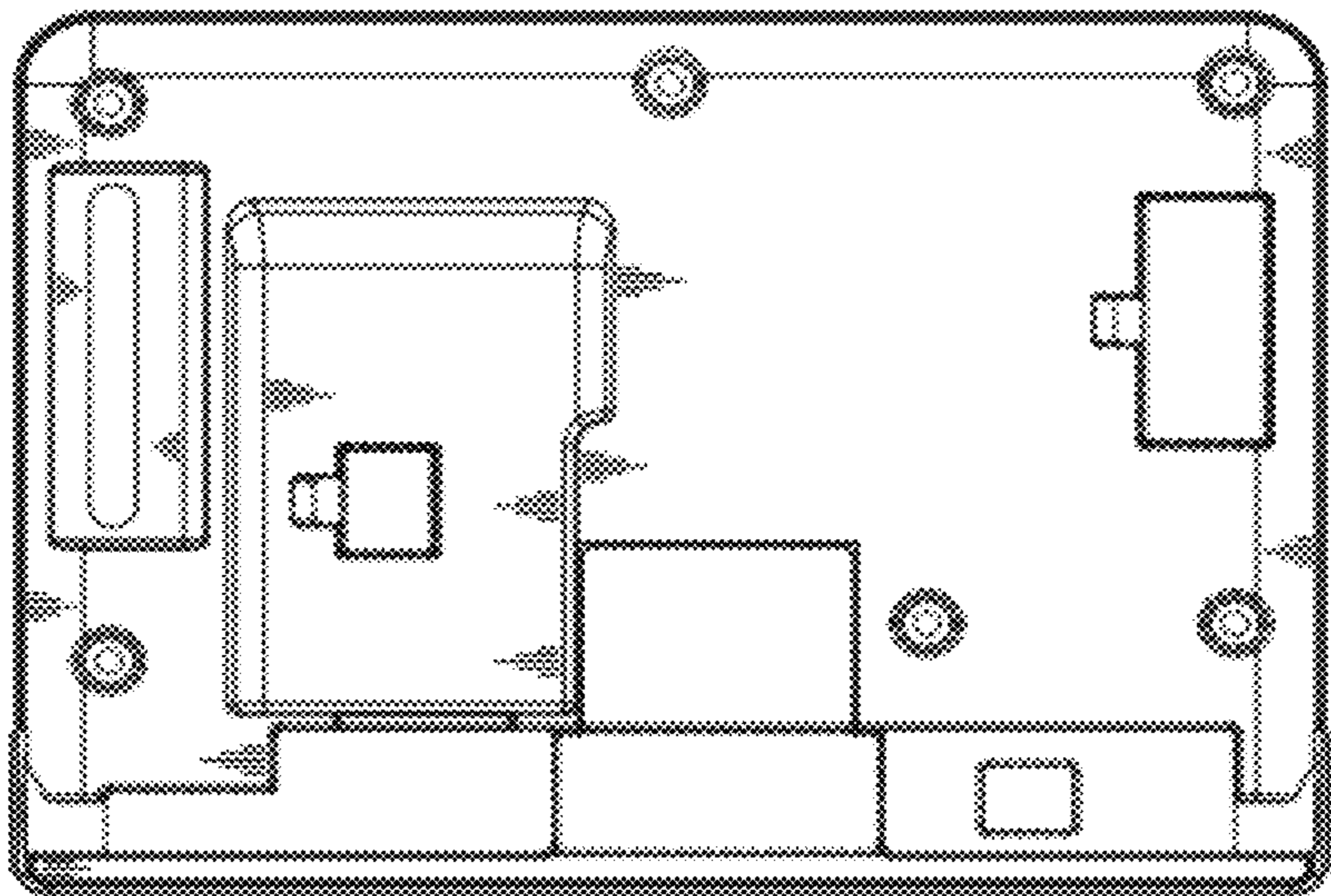


FIG. 3

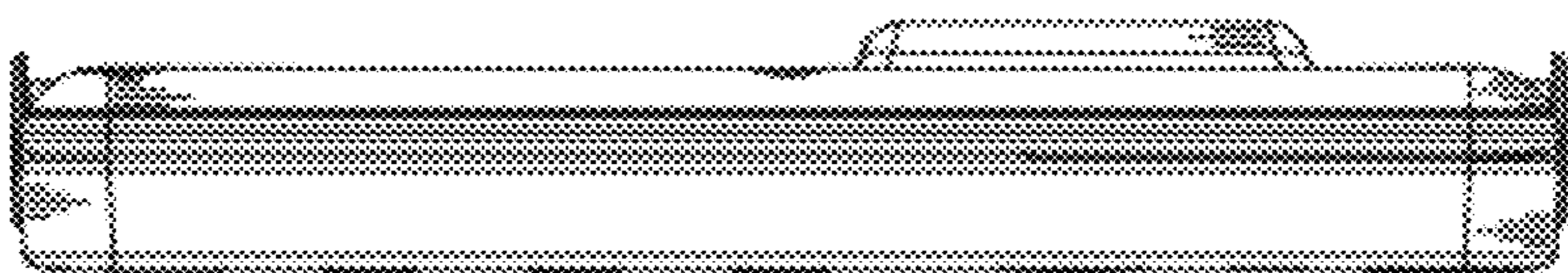




FIG. 4

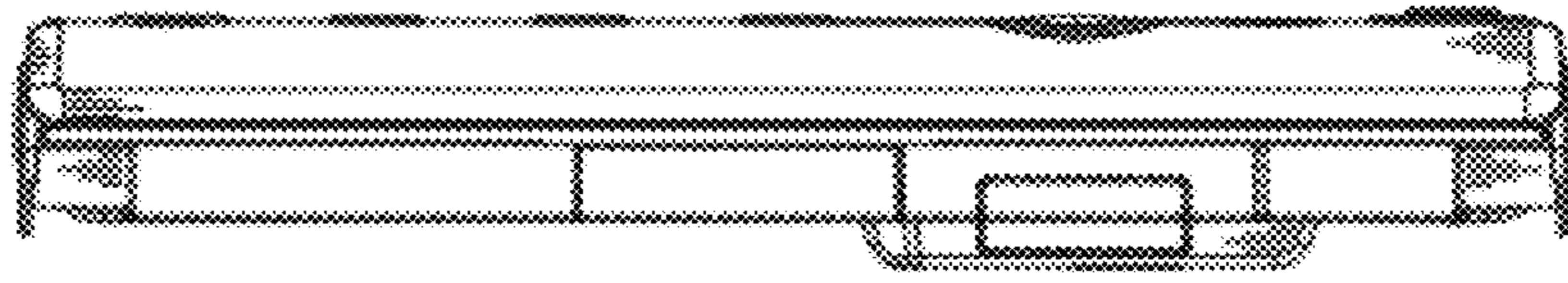


FIG. 5



FIG. 6

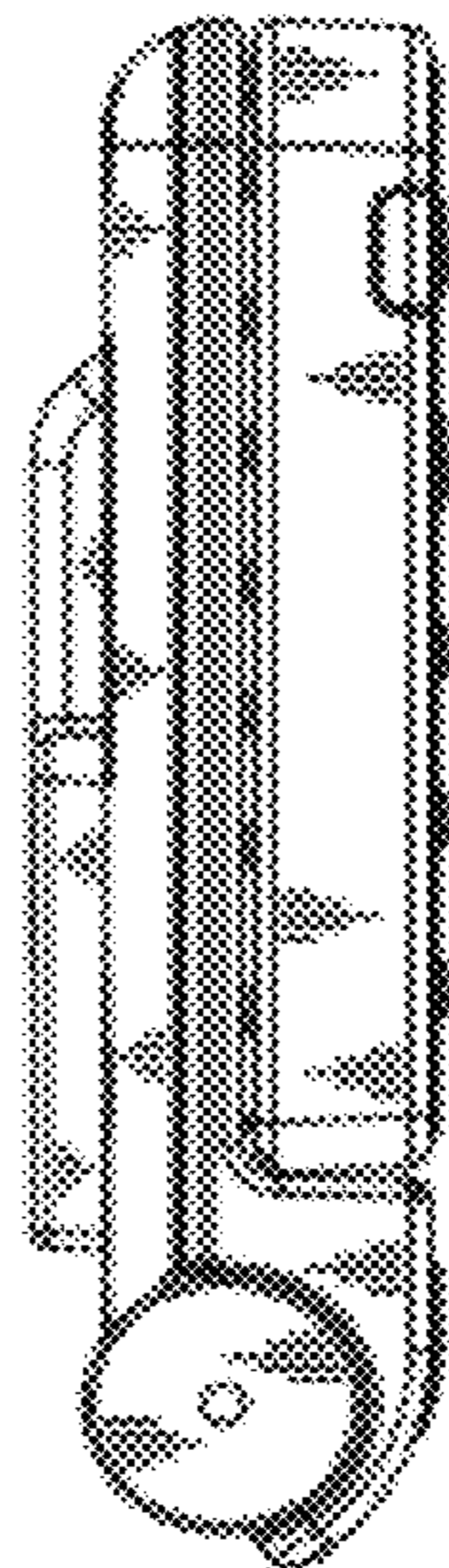


FIG.7

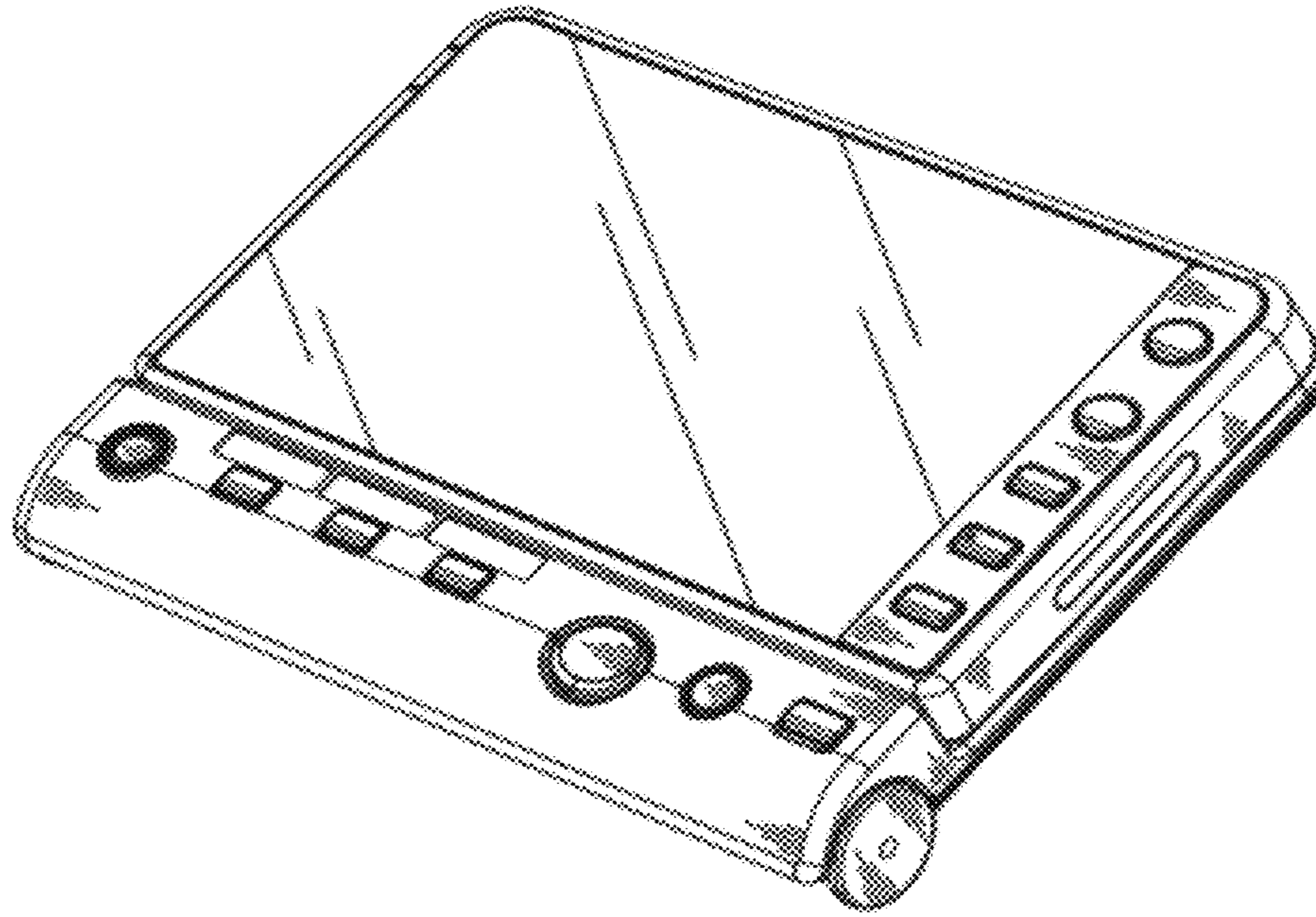


FIG.8

