



US00D659738S

(12) **United States Design Patent**
Yamada et al.

(10) **Patent No.:** **US D659,738 S**

(45) **Date of Patent:** **** May 15, 2012**

(54) **PROJECTOR**

(75) Inventors: **Takahisa Yamada**, Tokyo (JP);
Toshiyuki Yamaguchi, Tokyo (JP);
Yasushi Ito, Tokyo (JP); **Kazuya Inoue**, Tokyo (JP); **Mitsuhiro Shimizu**, Tokyo (JP)

(73) Assignee: **NEC Display Solutions, Ltd.**, Tokyo (JP)

(**) Term: **14 Years**

(21) Appl. No.: **29/389,772**

(22) Filed: **Apr. 15, 2011**

(30) **Foreign Application Priority Data**

Oct. 18, 2010 (JP) 2010-24872

(51) **LOC (9) Cl.** **16-02**

(52) **U.S. Cl.** **D16/235; D16/230**

(58) **Field of Classification Search** D16/205,
D16/208, 221, 225, 230, 231, 234-235; D21/514;
353/52, 115, 119, 122

See application file for complete search history.

(56) **References Cited**

U.S. PATENT DOCUMENTS

D422,003	S	*	3/2000	Takizawa	D16/231
D439,594	S	*	3/2001	Komatsu et al.	D16/231
D451,941	S	*	12/2001	Takizawa	D16/230
6,755,541	B2	*	6/2004	Nakano et al.	353/119
6,793,343	B2	*	9/2004	Nakano et al.	353/119
6,819,464	B2	*	11/2004	Fujimori et al.	353/52
D510,098	S	*	9/2005	Ishikawa et al.	D16/231
7,850,309	B2	*	12/2010	Hirouchi et al.	353/52

* cited by examiner

Primary Examiner — Wan Laymon

(74) *Attorney, Agent, or Firm* — Sughrue Mion, PLLC

(57) **CLAIM**

The ornamental design for a projector, as shown and described.

DESCRIPTION

FIG. 1 is a front, right side, top perspective view of a projector showing our new design;

FIG. 2 is a front elevational view thereof;

FIG. 3 is a rear elevational view thereof;

FIG. 4 is a left side view thereof;

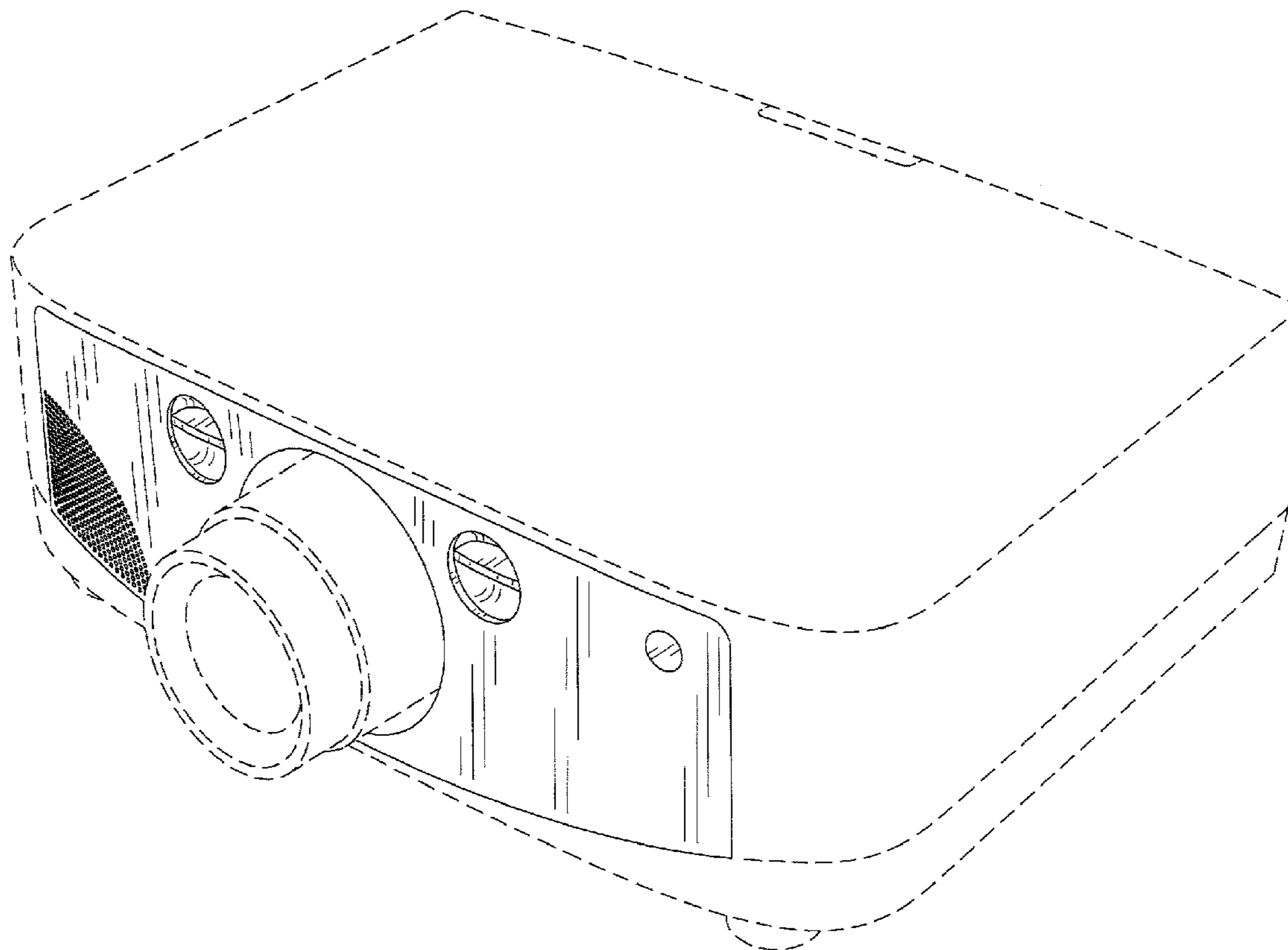
FIG. 5 is a right side view thereof;

FIG. 6 is a top plan view thereof; and,

FIG. 7 is a bottom plan view thereof.

The portions in broken lines are shown for illustrative purposes only and form no part of the claimed design.

1 Claim, 7 Drawing Sheets



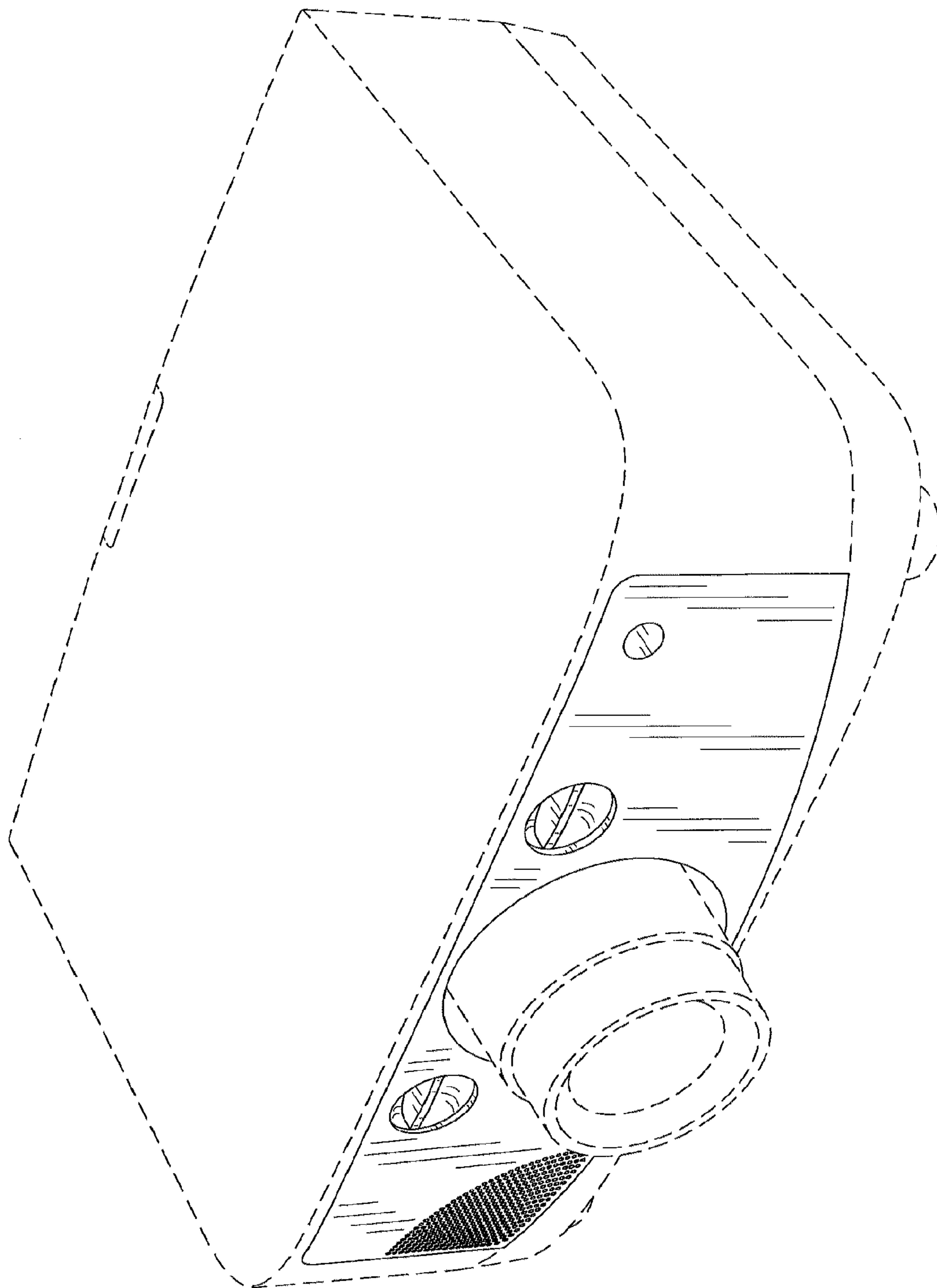


FIG. 1

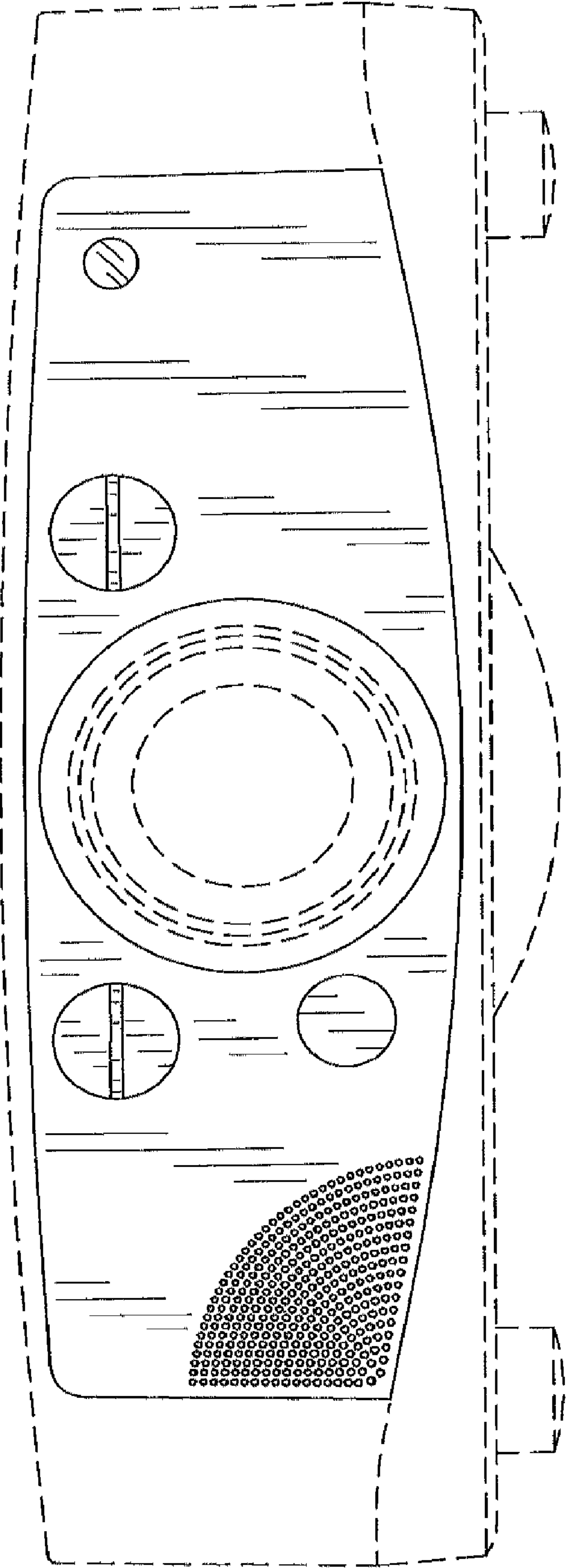


FIG. 2

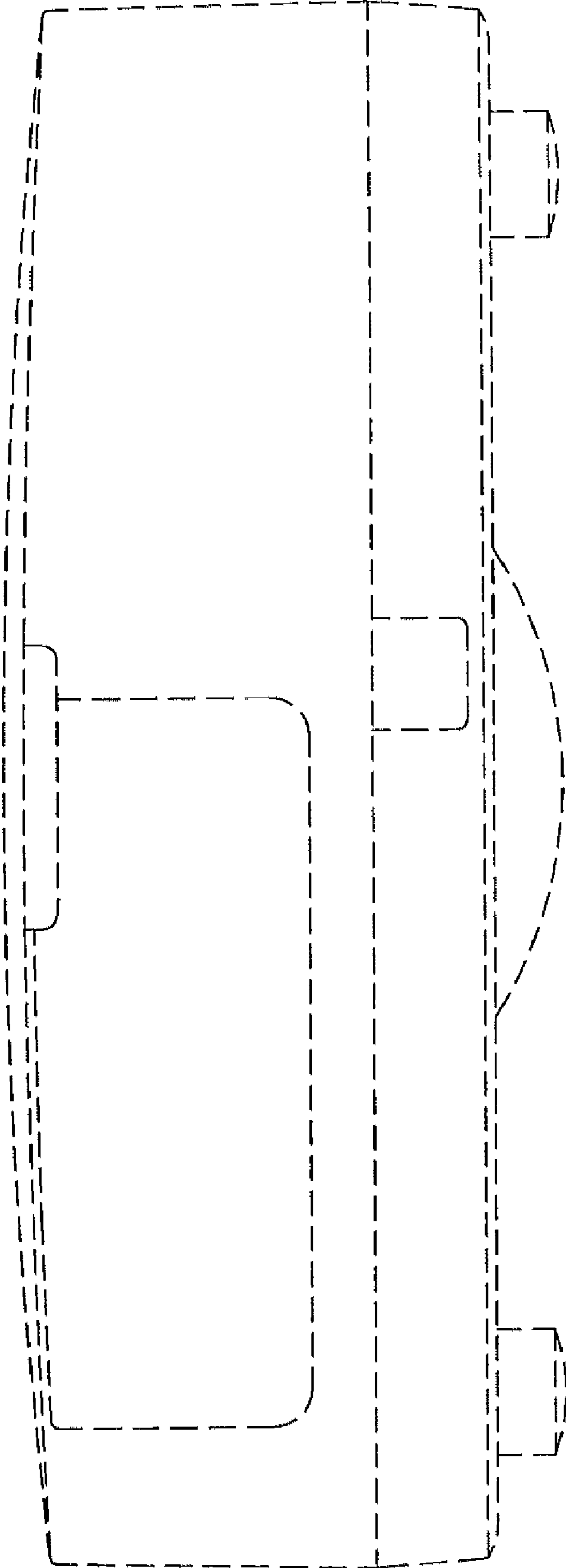


FIG. 3

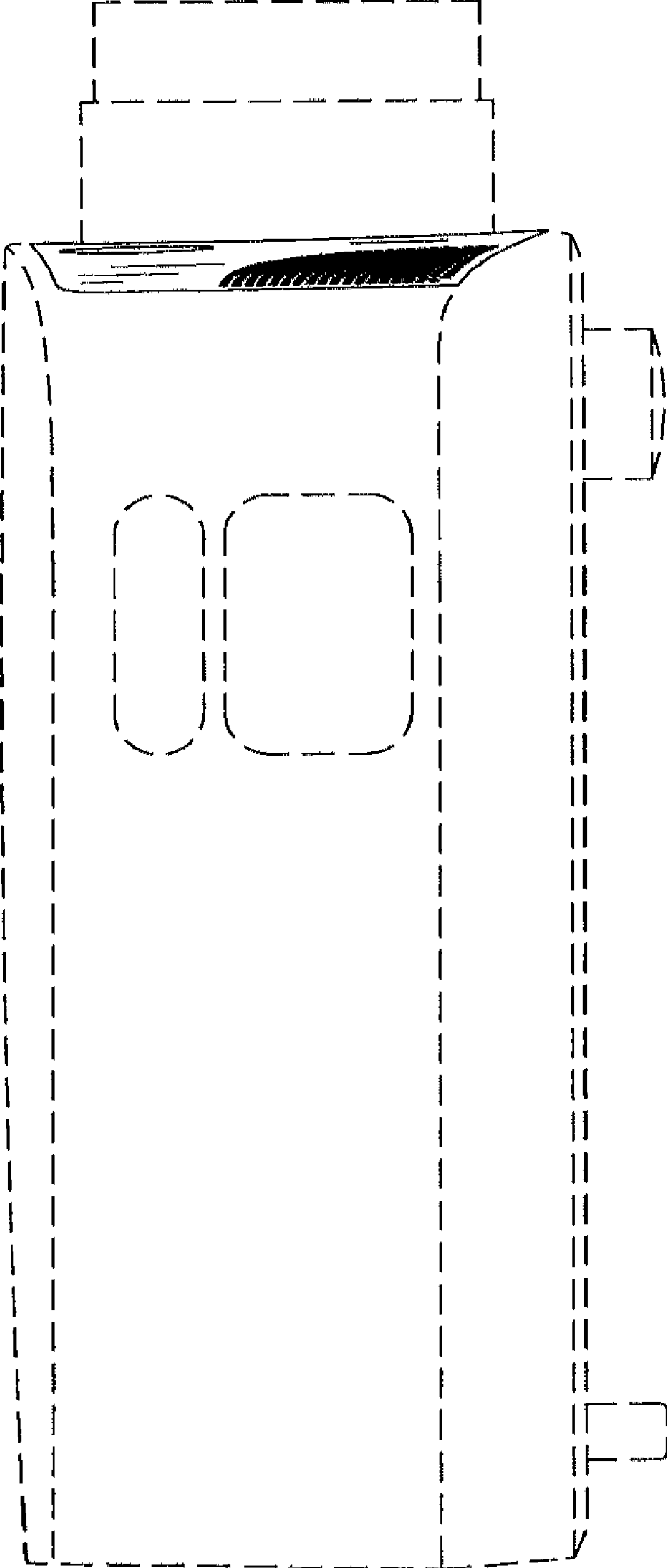


FIG. 4

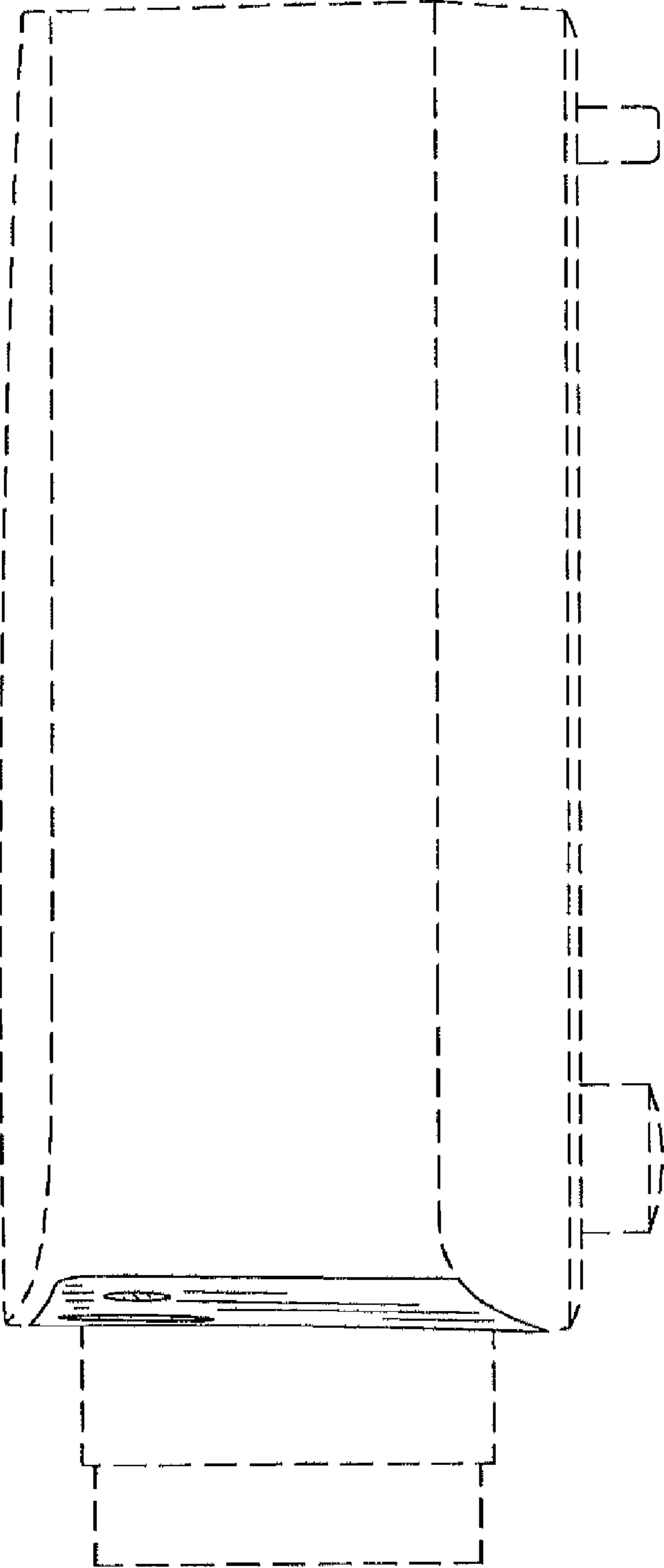


FIG. 5

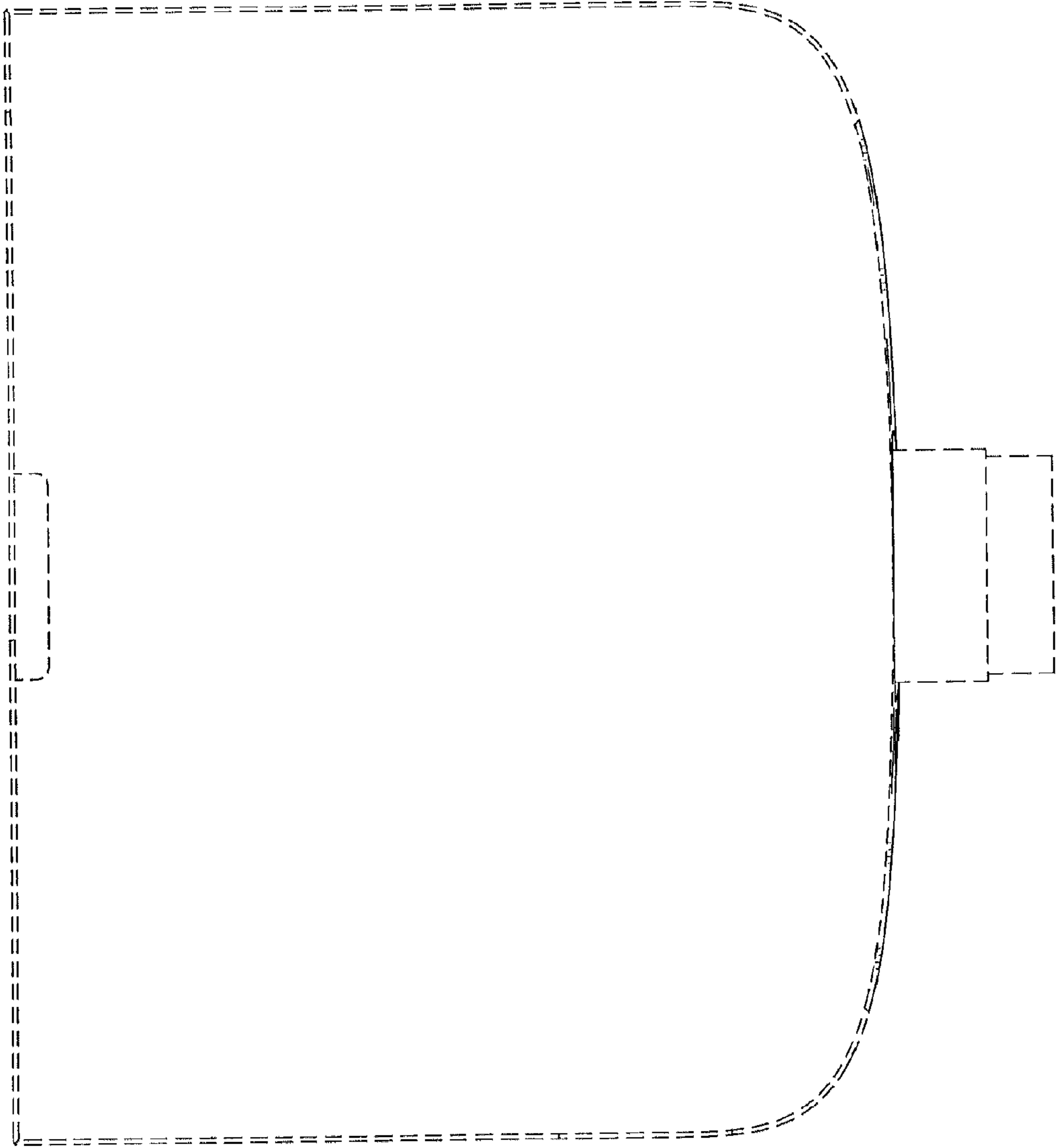


FIG. 6

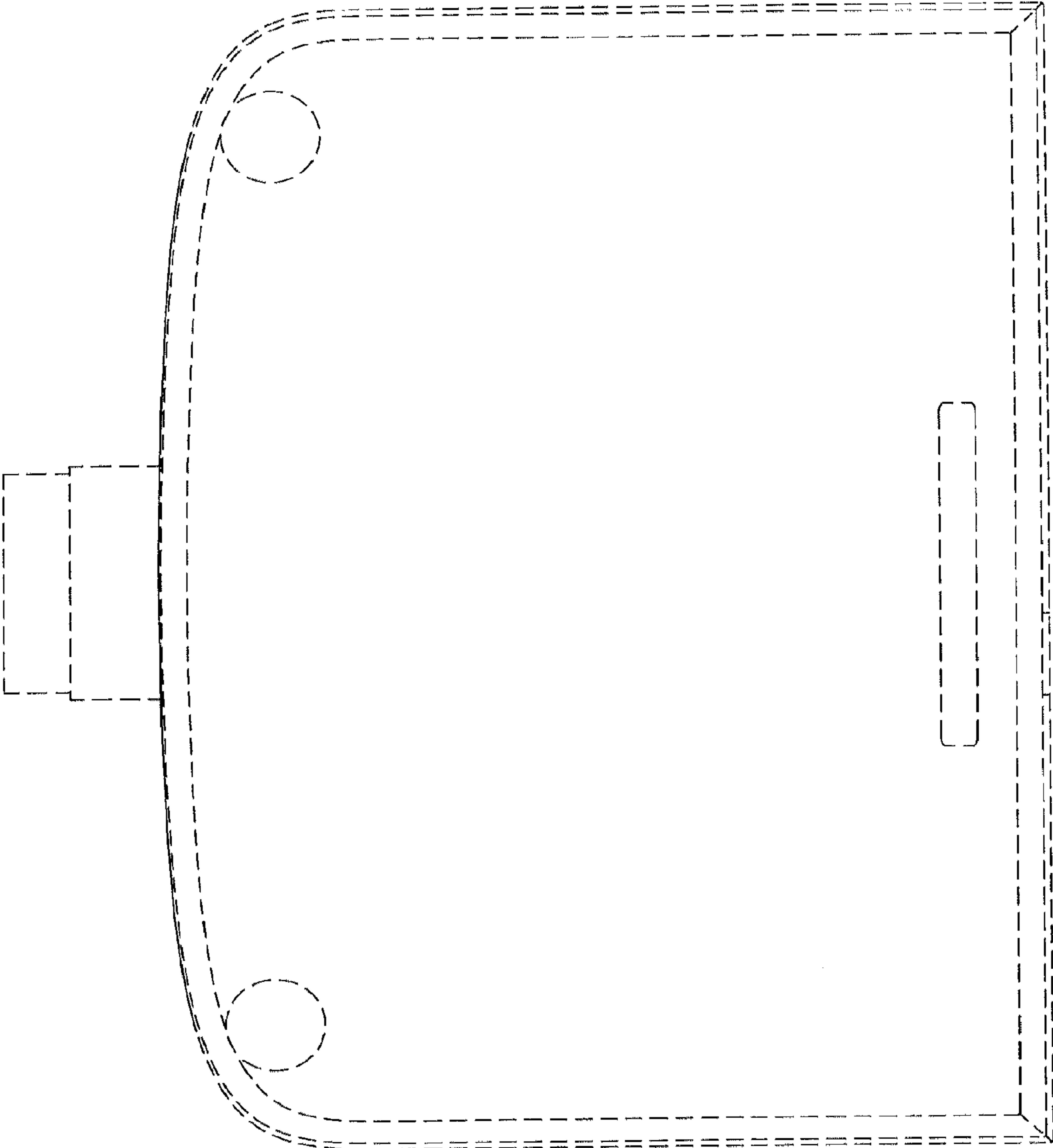


FIG. 7