



US00D659737S

(12) **United States Design Patent**  
**Inoue et al.**

(10) **Patent No.:** **US D659,737 S**  
(45) **Date of Patent:** **\*\* May 15, 2012**

(54) **PROJECTOR**

(75) Inventors: **Saeko Inoue**, Matsumoto (JP);  
**Yasutomo Takahashi**, Matsumoto (JP);  
**Manabu Kamiya**, Matsumoto (JP);  
**Kaien Shu**, Matsumoto (JP)

(73) Assignee: **Seiko Epson Corporation**, Tokyo (JP)

(\*\*) Term: **14 Years**

(21) Appl. No.: **29/400,278**

(22) Filed: **Aug. 25, 2011**

(30) **Foreign Application Priority Data**

Apr. 28, 2011 (JP) ..... 2011-009945

(51) **LOC (9) Cl.** ..... **16-02**

(52) **U.S. Cl.** ..... **D16/230; D16/225**

(58) **Field of Classification Search** ..... D16/205,  
D16/208, 221, 225, 230-231, 234; D21/514;  
353/115, 119, 122

See application file for complete search history.

(56) **References Cited**

**U.S. PATENT DOCUMENTS**

D464,074 S \* 10/2002 Miyazaki ..... D16/230  
D473,253 S \* 4/2003 Shimamoto ..... D16/231  
D498,490 S \* 11/2004 Kawasaki et al. .... D16/231  
7,156,526 B2 \* 1/2007 Tanaka ..... 353/119  
D551,691 S \* 9/2007 Sakamaki et al. .... D16/230  
D552,656 S \* 10/2007 Oota et al. .... D16/230

D591,784 S \* 5/2009 Inoue et al. .... D16/230  
D606,110 S \* 12/2009 Inoue et al. .... D16/230  
D615,575 S \* 5/2010 Inoue et al. .... D16/230  
D647,120 S \* 10/2011 Kawabe et al. .... D16/230  
D647,121 S \* 10/2011 Kawabe et al. .... D16/230  
2010/0245785 A1 \* 9/2010 Kamiya et al. .... 353/119  
2011/0279791 A1 \* 11/2011 Okoshi ..... 353/119

\* cited by examiner

*Primary Examiner* — Wan Laymon

(74) *Attorney, Agent, or Firm* — Oliff & Berridge, PLC

(57) **CLAIM**

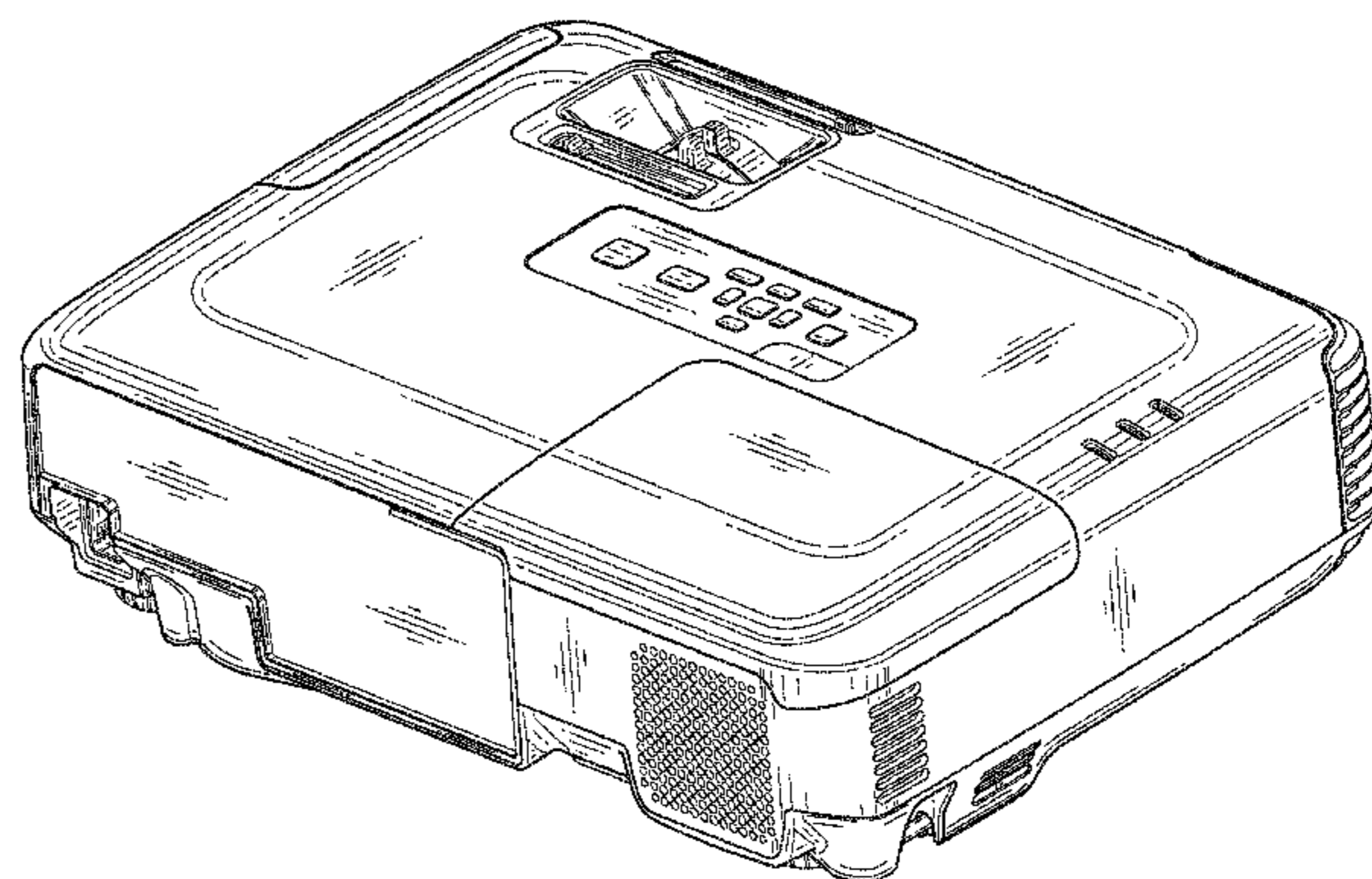
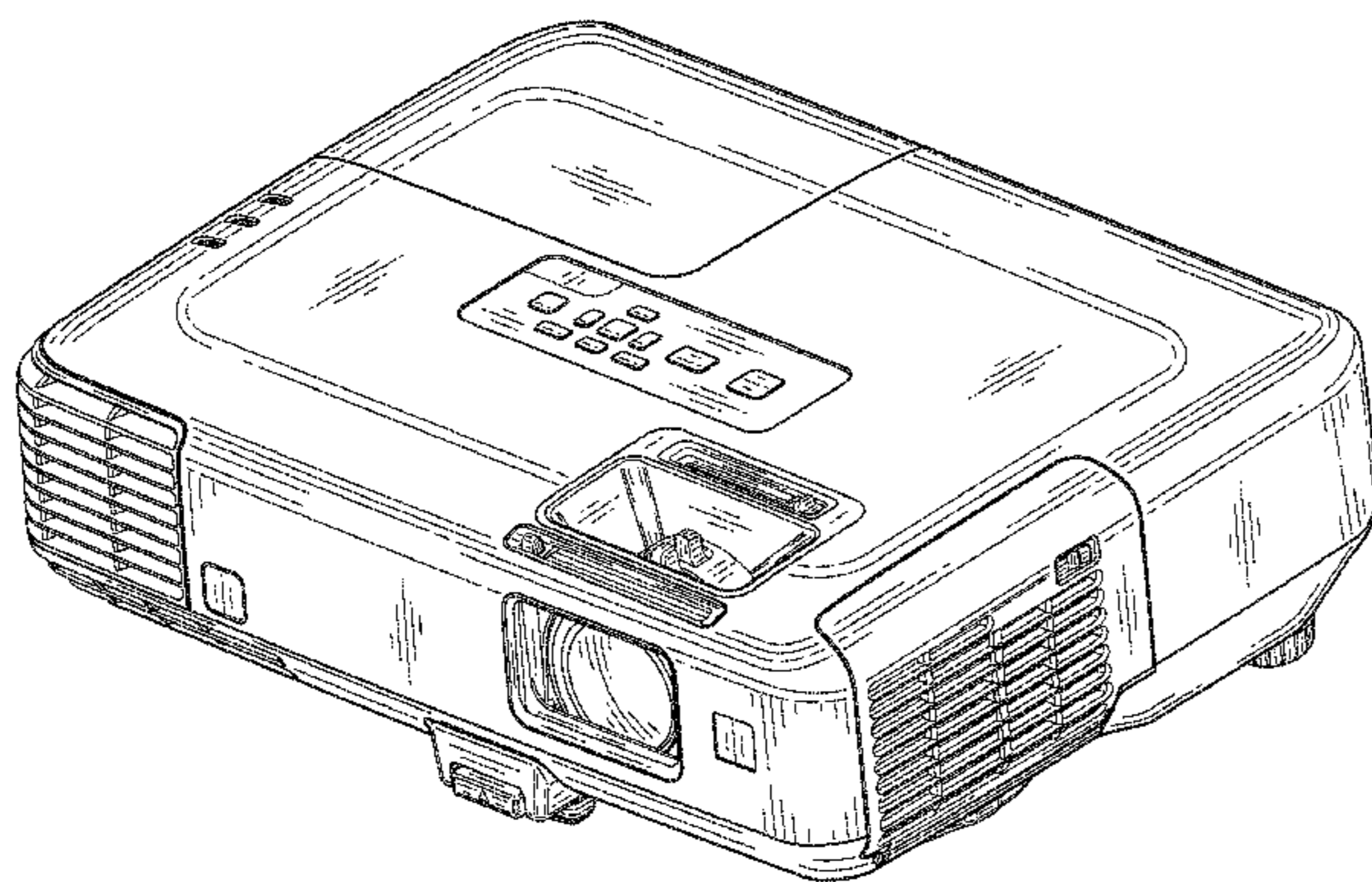
The ornamental design for a projector, as shown and described.

**DESCRIPTION**

FIG. 1 is a top, front, right-side perspective view of a projector;  
FIG. 2 is a top, rear, left-side perspective view thereof;  
FIG. 3 is front view thereof;  
FIG. 4 is a rear view thereof;  
FIG. 5 is a left-side view thereof;  
FIG. 6 is a right-side view thereof;  
FIG. 7 is a top view thereof; and,  
FIG. 8 is a bottom view thereof.

The broken lines shown in the figures represent portions of the projector that form no part of the claimed design.

**1 Claim, 7 Drawing Sheets**



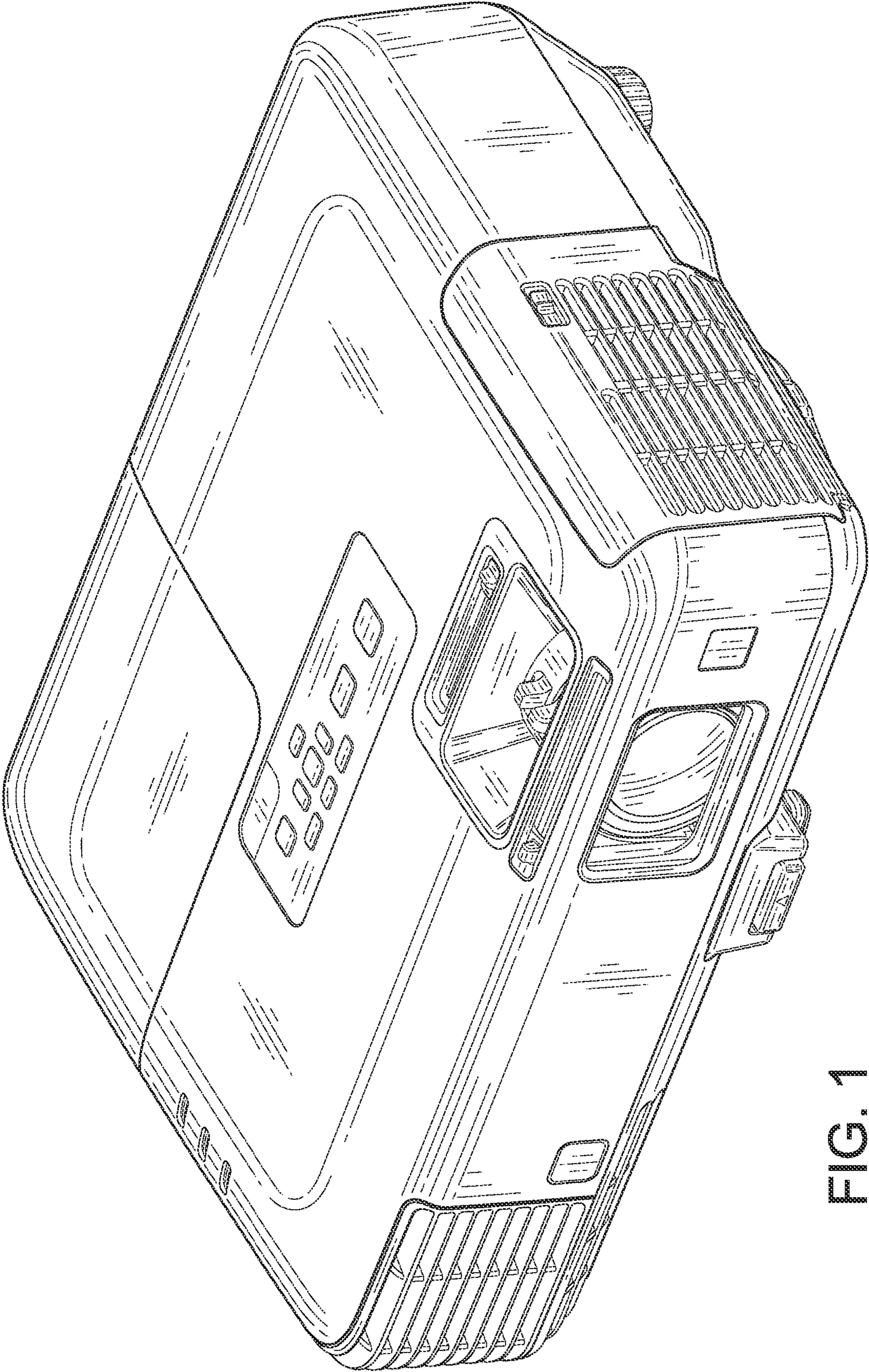


FIG. 1

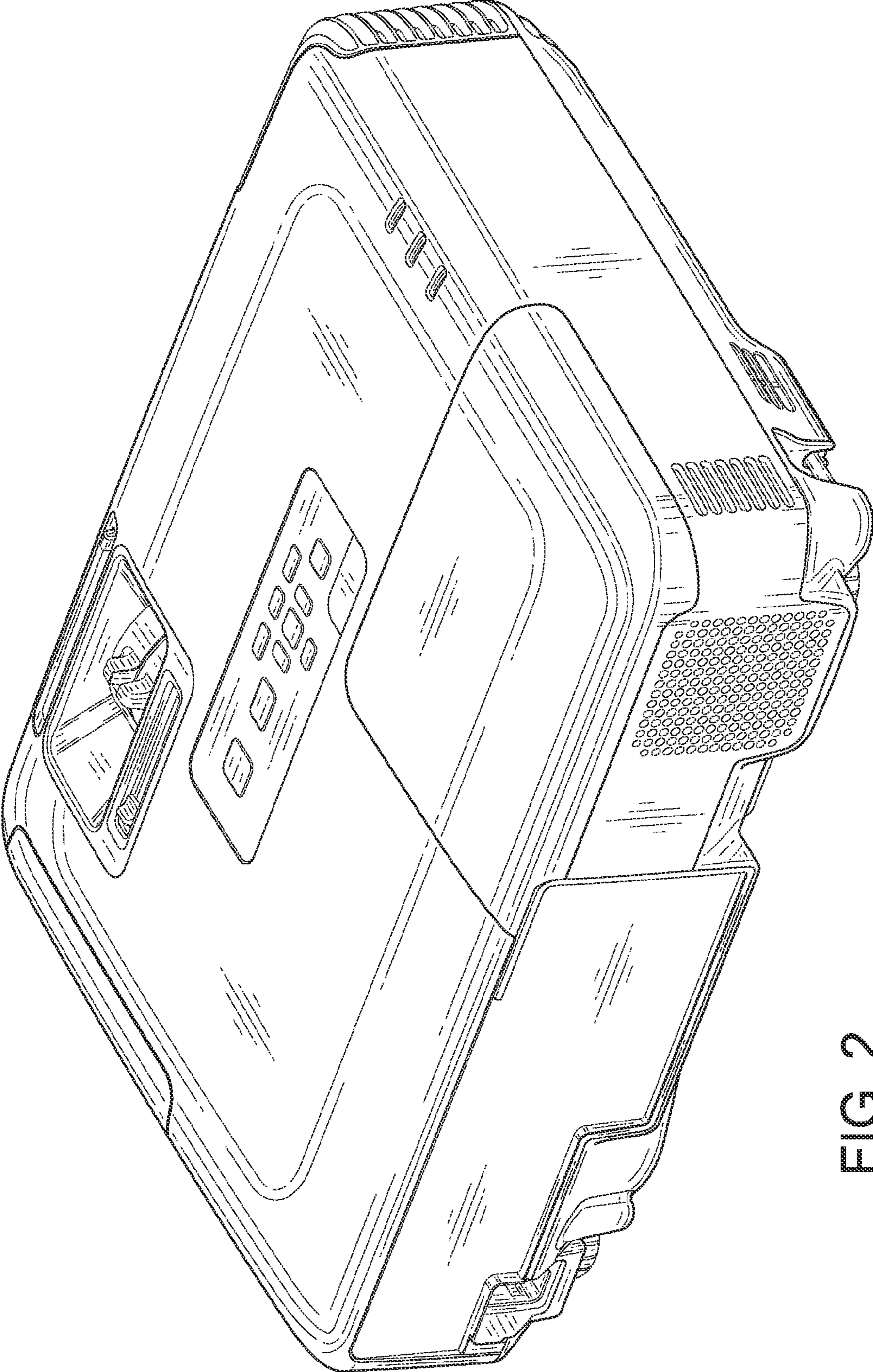


FIG. 2

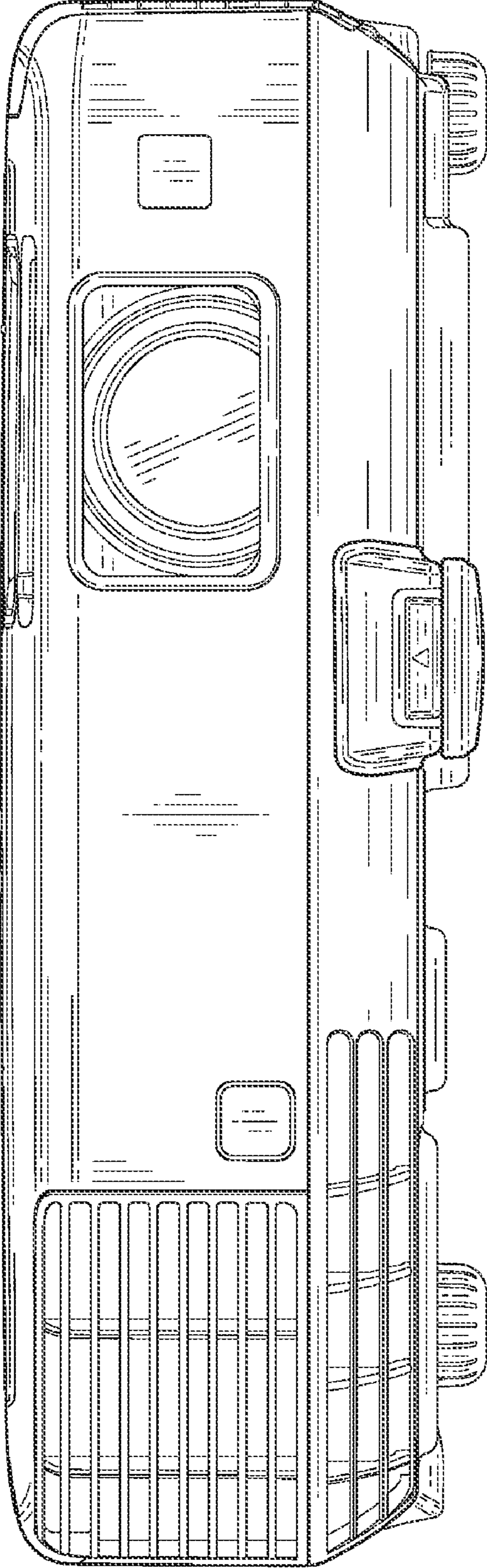


FIG. 3

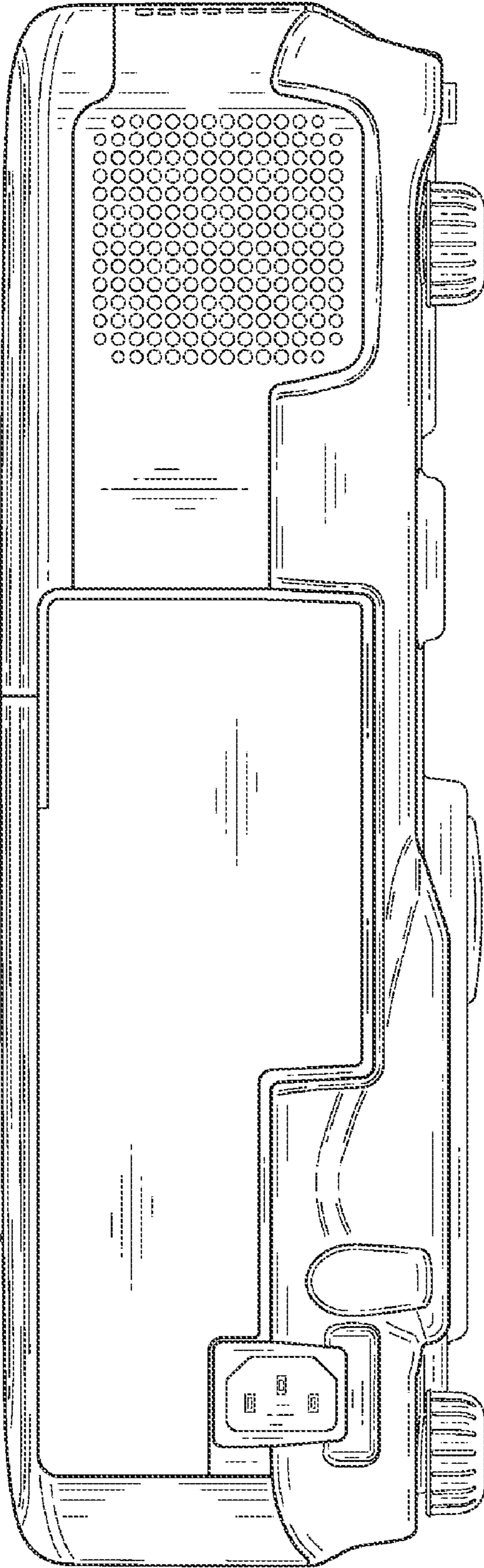


FIG. 4

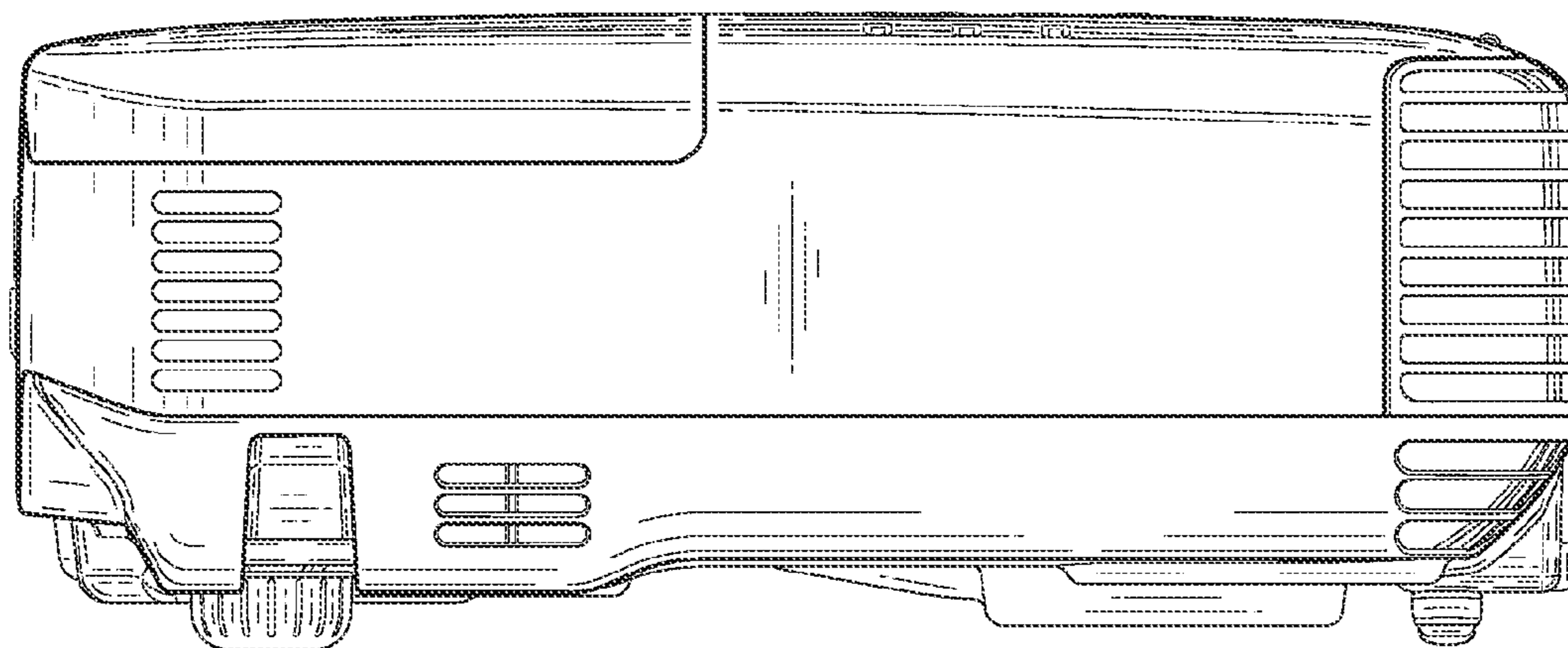


FIG. 5

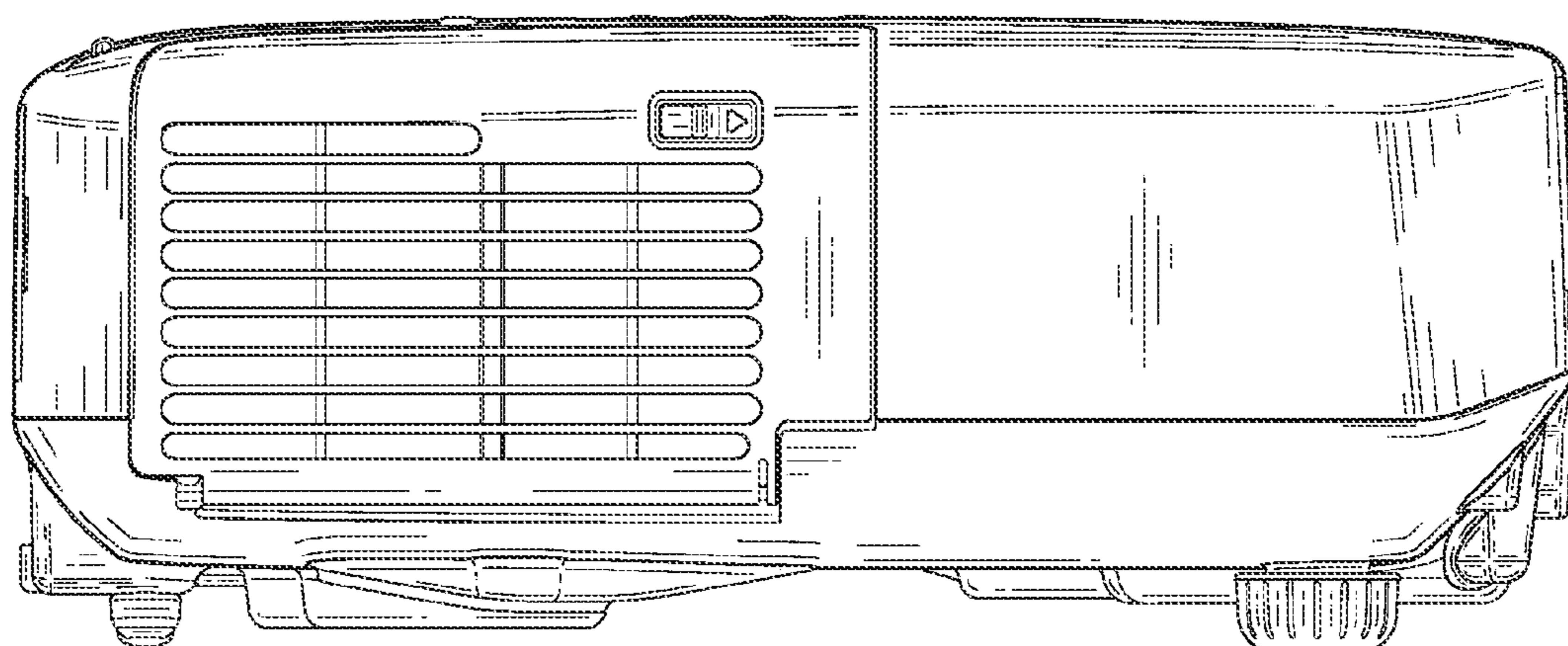


FIG. 6

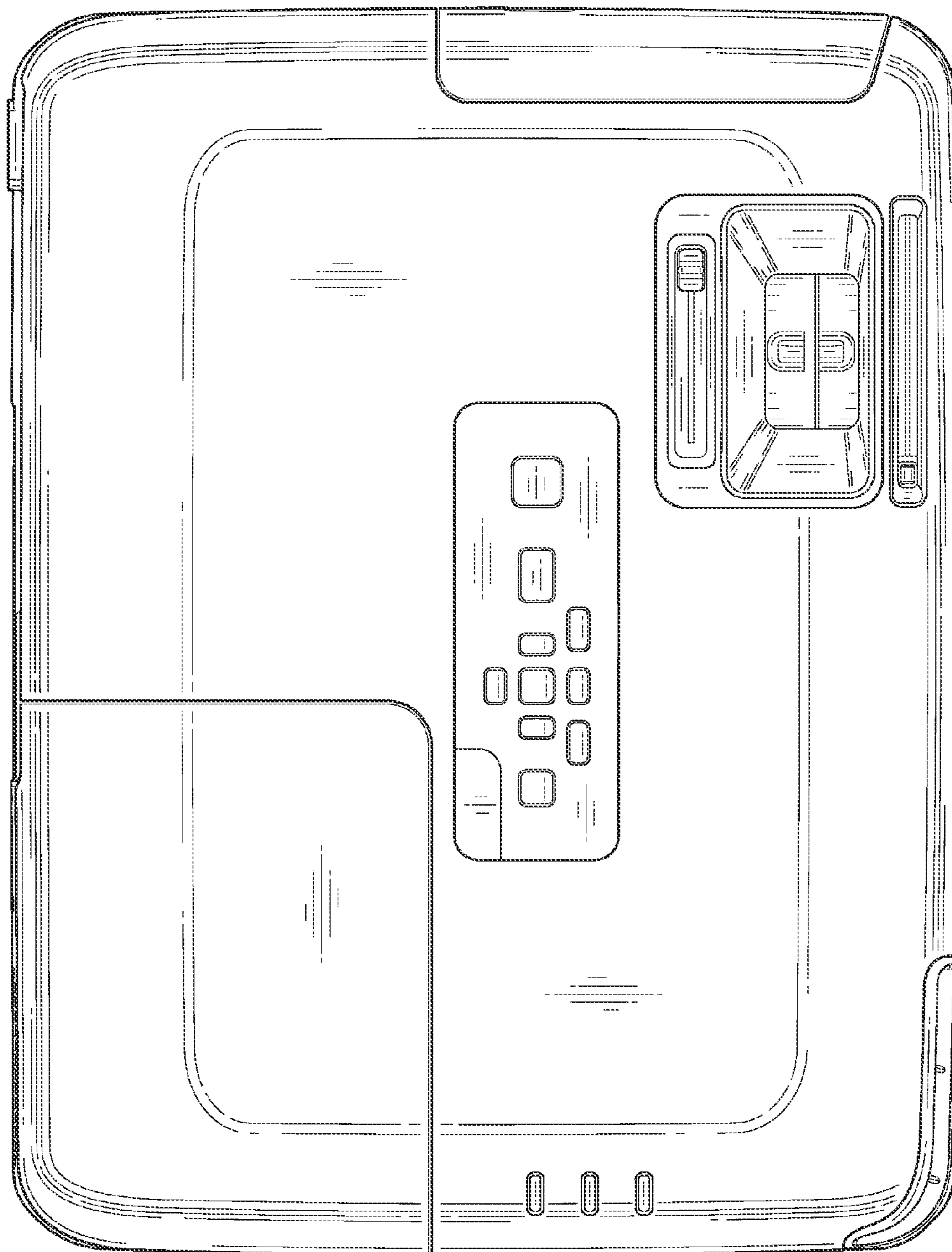


FIG. 7

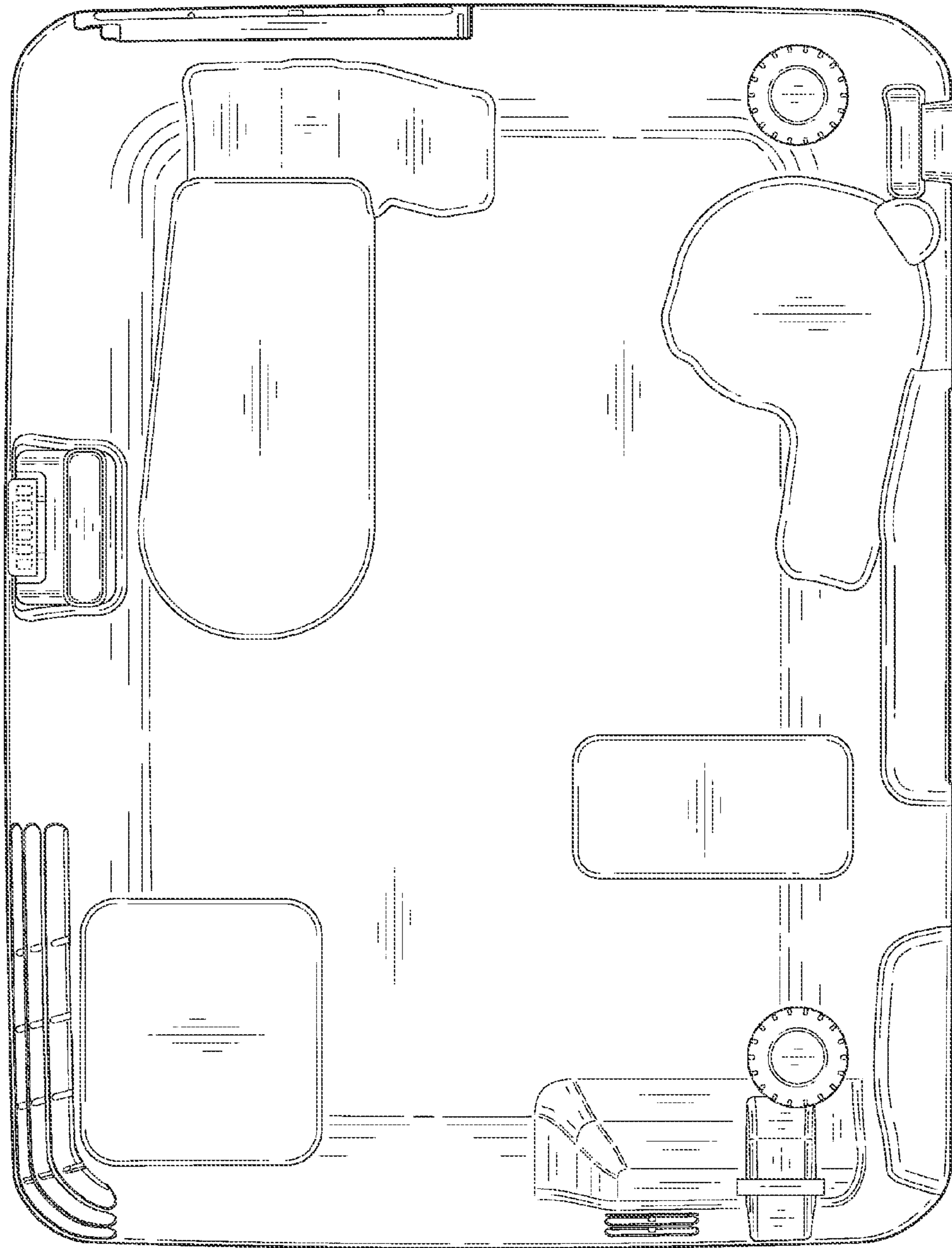


FIG. 8