



US00D659736S

(12) **United States Design Patent**
Cheng

(10) **Patent No.:** **US D659,736 S**

(45) **Date of Patent:** **** May 15, 2012**

(54) **MICRO PROJECTOR**

(75) Inventor: **Jung-Ching Cheng**, Tu-Cheng (TW)

(73) Assignee: **Cheng Uei Precision Industry Co., Ltd.**, Tu-Cheng, Taipei Hsien (TW)

(**) Term: **14 Years**

(21) Appl. No.: **29/383,494**

(22) Filed: **Jan. 18, 2011**

(51) **LOC (9) Cl.** **16-02**

(52) **U.S. Cl.** **D16/225; D16/230**

(58) **Field of Classification Search** D16/202–203,
D16/205, 208, 221, 225, 229, 227, 230; D21/514;
D14/506, 508–509, 128–129, 168, 135, 163,
D14/165, 204, 209.1, 172, 221, 215–216;
348/744; 352/242–243; 353/39, 49, 70,
353/115, 122; 455/3.06; 181/153, 198, 199,
181/306, 336, 361, 386, 387

See application file for complete search history.

(56) **References Cited**

U.S. PATENT DOCUMENTS

D390,612 S *	2/1998	Brakefield	D16/225
D433,432 S *	11/2000	Prather et al.	D16/202
D491,972 S *	6/2004	Heath	D16/225
D554,682 S *	11/2007	Martinez et al.	D16/203
D555,184 S *	11/2007	Rodriguez et al.	D16/230

D626,939 S *	11/2010	Chen	D14/216
D639,273 S *	6/2011	Chow	D14/209.1
2005/0012909 A1 *	1/2005	Kokin et al.	353/119

FOREIGN PATENT DOCUMENTS

CN	300858761	*	12/2008
CN	301309841	*	8/2010

* cited by examiner

Primary Examiner — Wan Laymon

(74) *Attorney, Agent, or Firm* — Cheng-Ju Chiang

(57) **CLAIM**

The ornamental design for a micro projector, as shown and described.

DESCRIPTION

FIG. 1 is a perspective view of a micro projector showing my new design;
FIG. 2 is a front elevational view thereof;
FIG. 3 is a rear elevational view thereof;
FIG. 4 is a left side elevational view thereof;
FIG. 5 is a right side elevational view thereof;
FIG. 6 is a top plan view thereof;
FIG. 7 is a bottom plan view thereof; and,
FIG. 8 is a perspective view showing the micro projector in an using state.

The broken line portion of the figure drawings is included to show unclaimed subject matter only and forms no part of the claimed design.

1 Claim, 8 Drawing Sheets

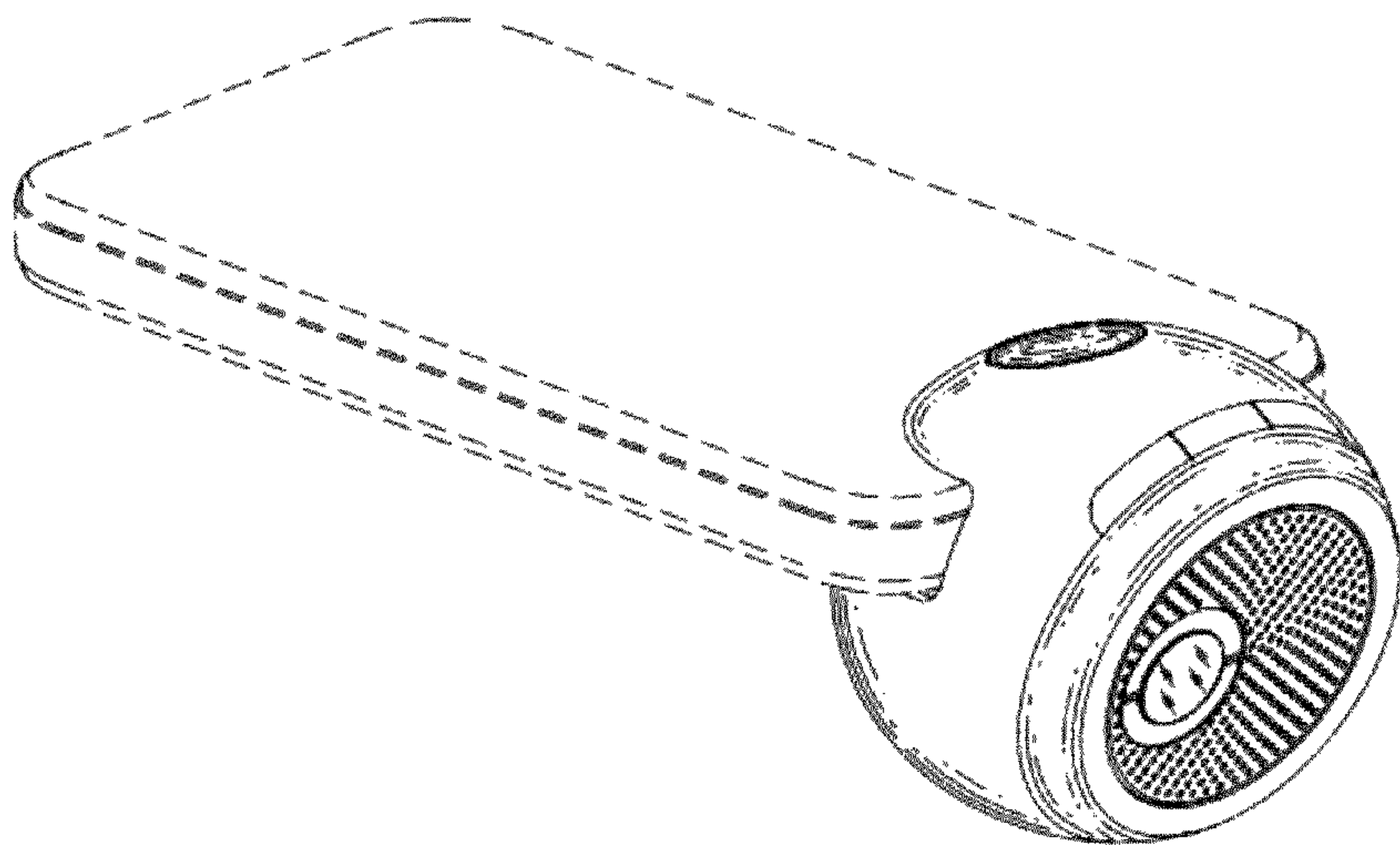
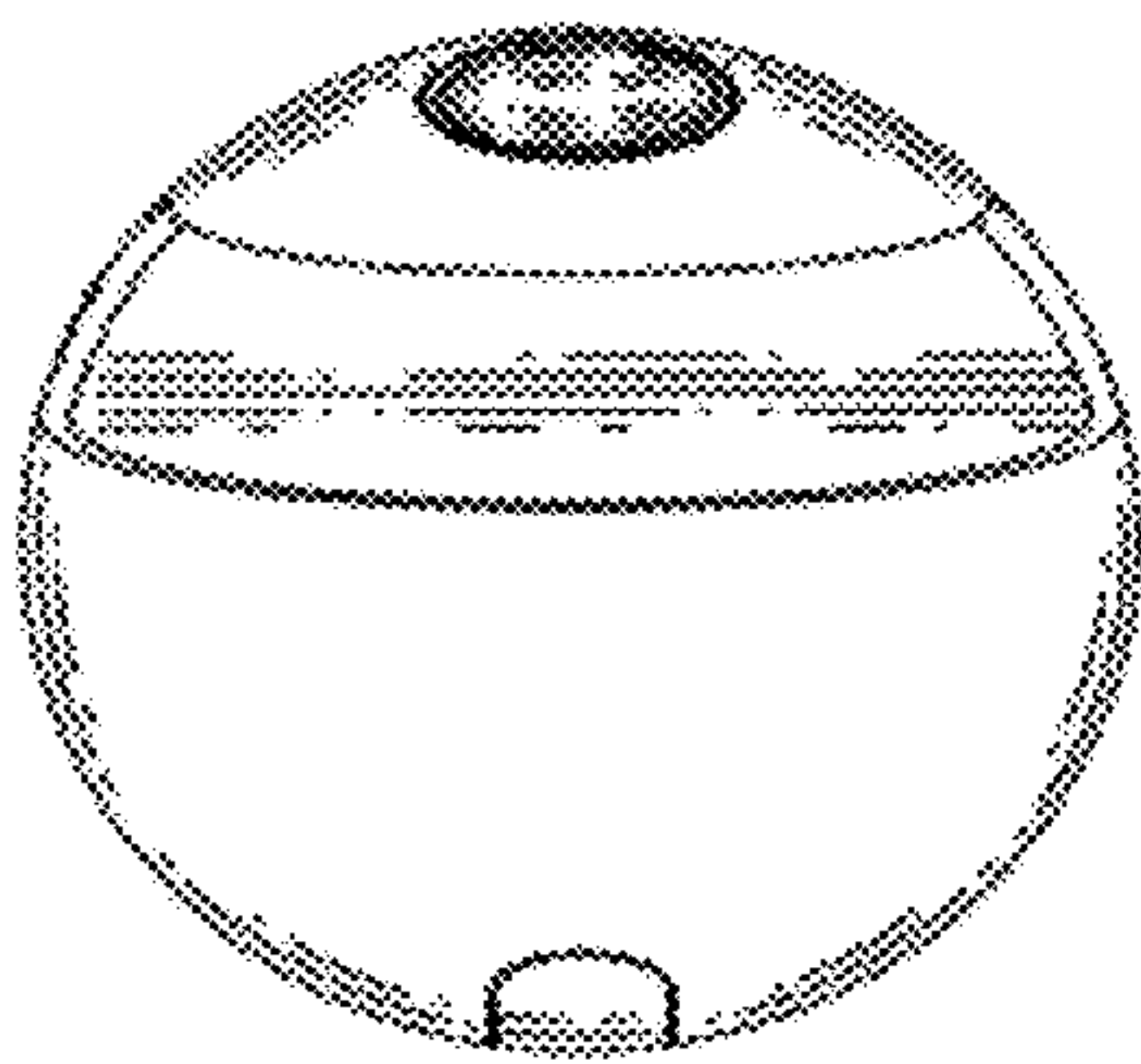




FIG. 1

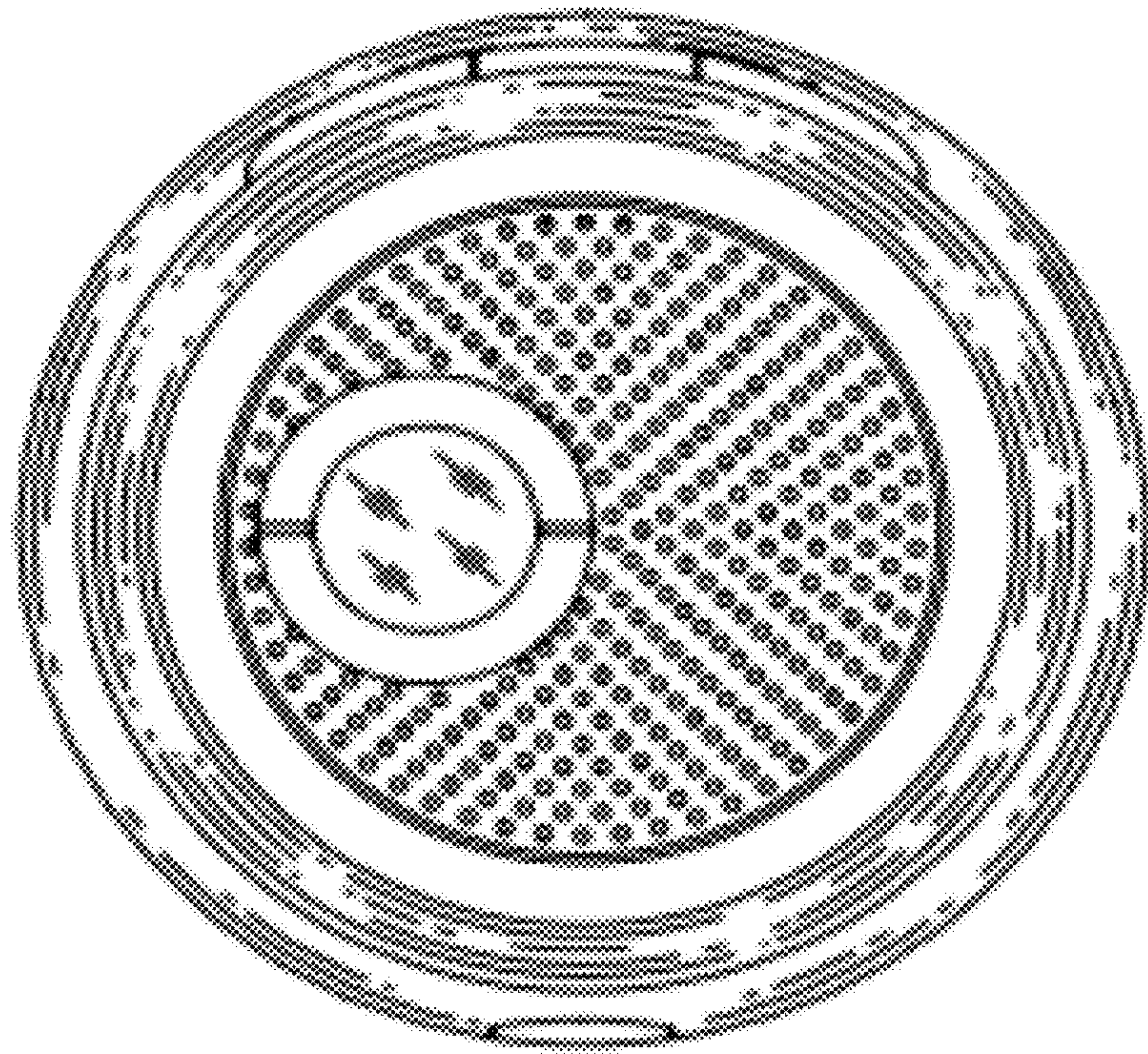


FIG. 2

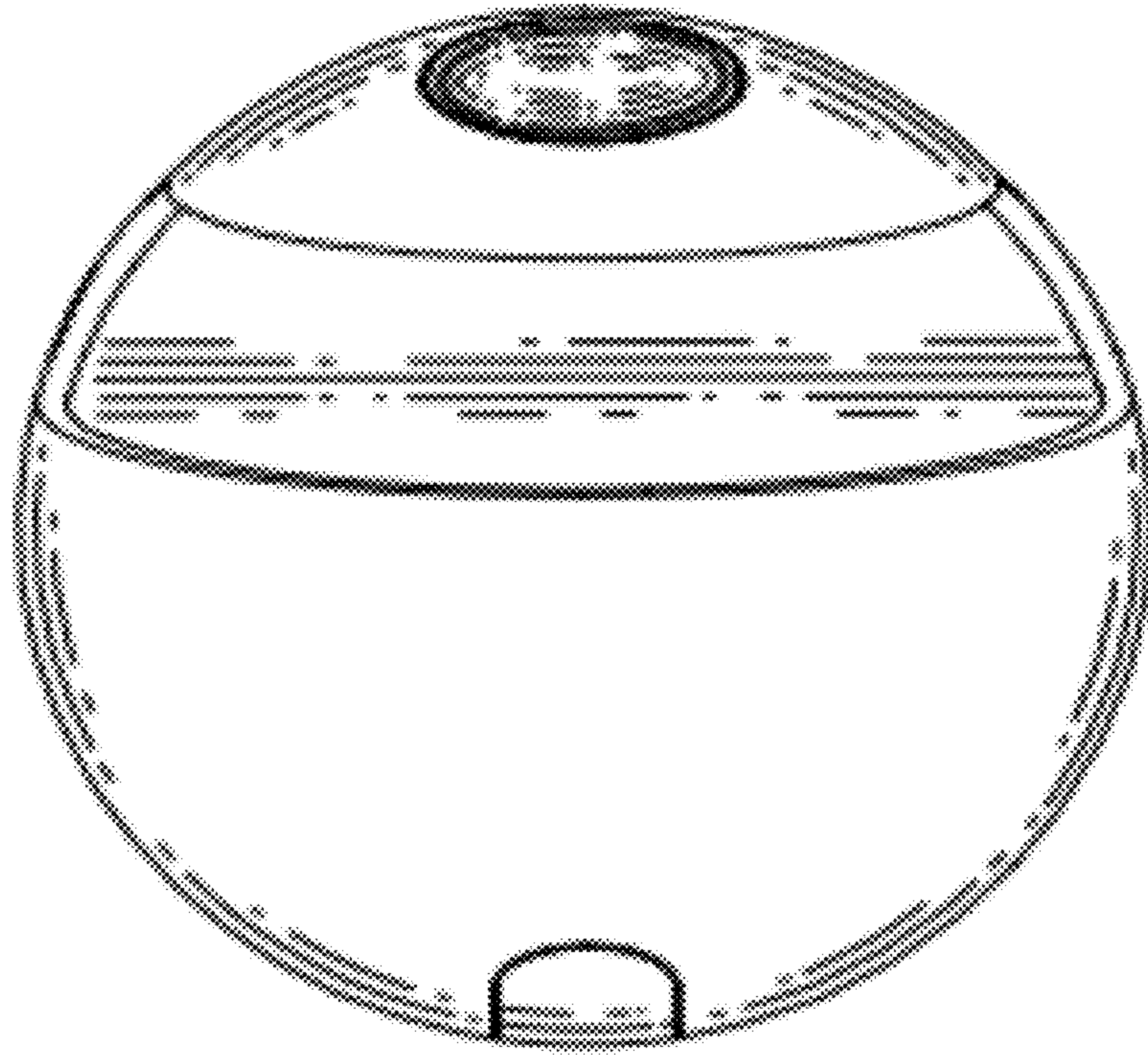


FIG. 3

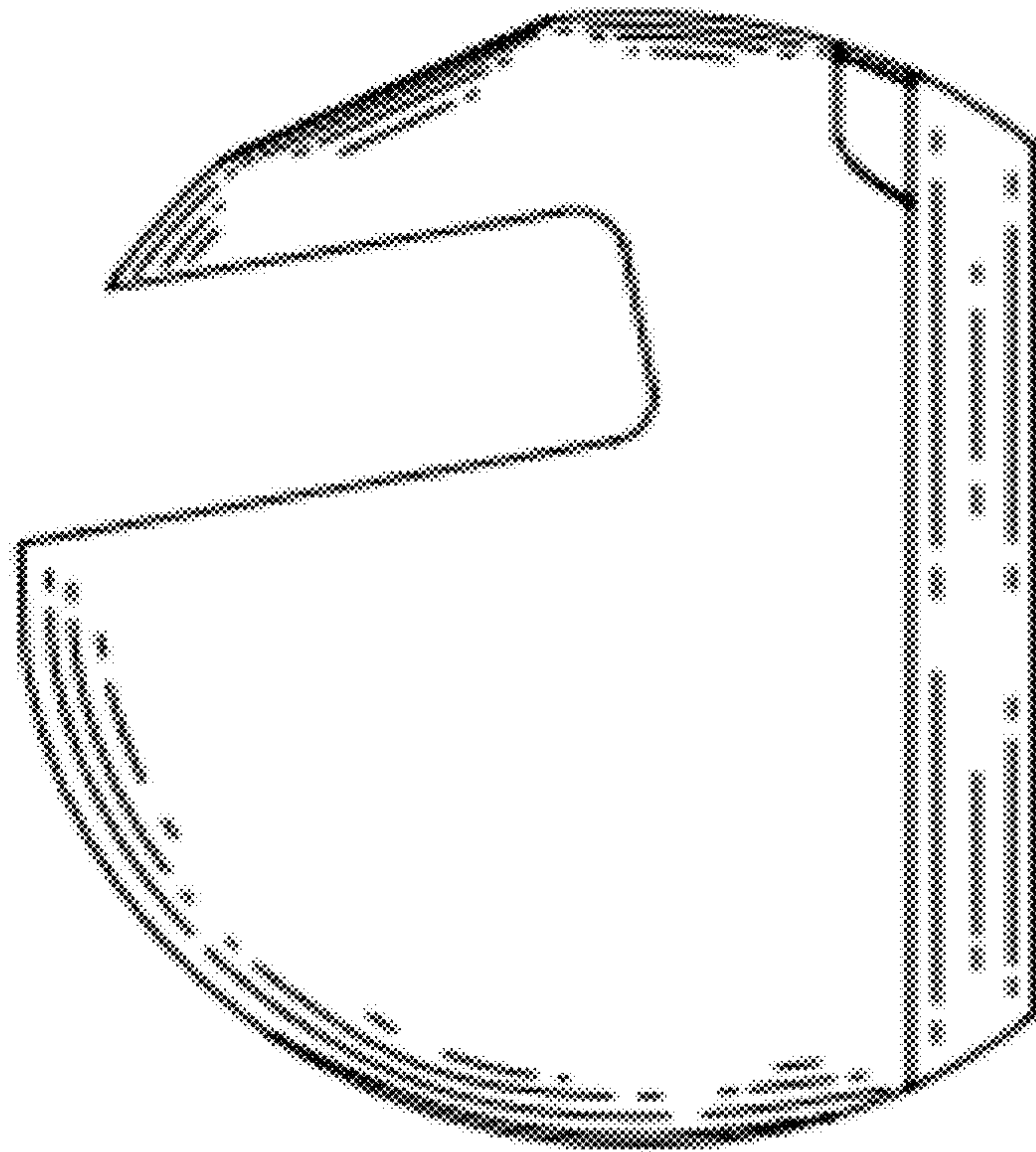


FIG. 4

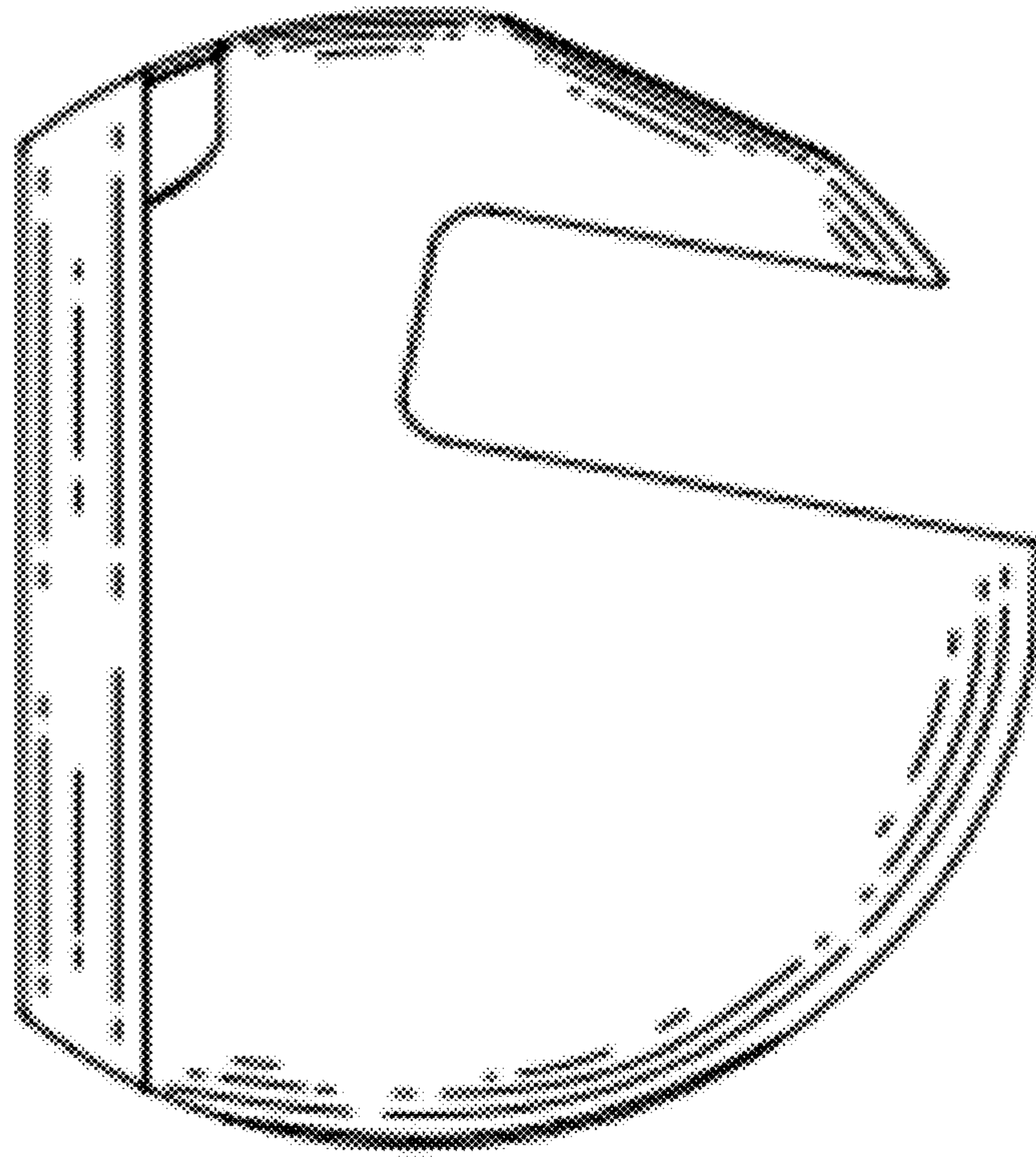


FIG. 5

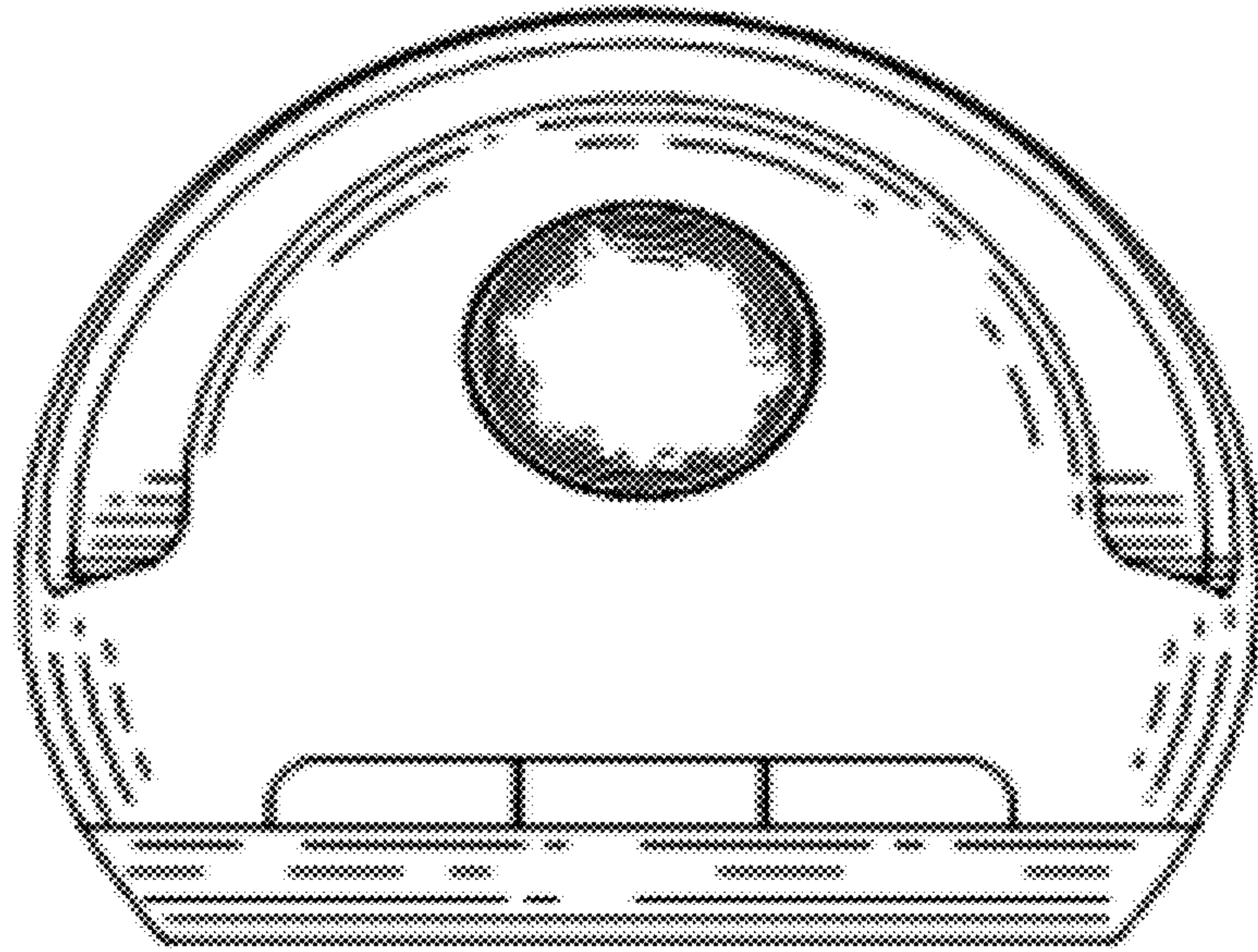


FIG. 6

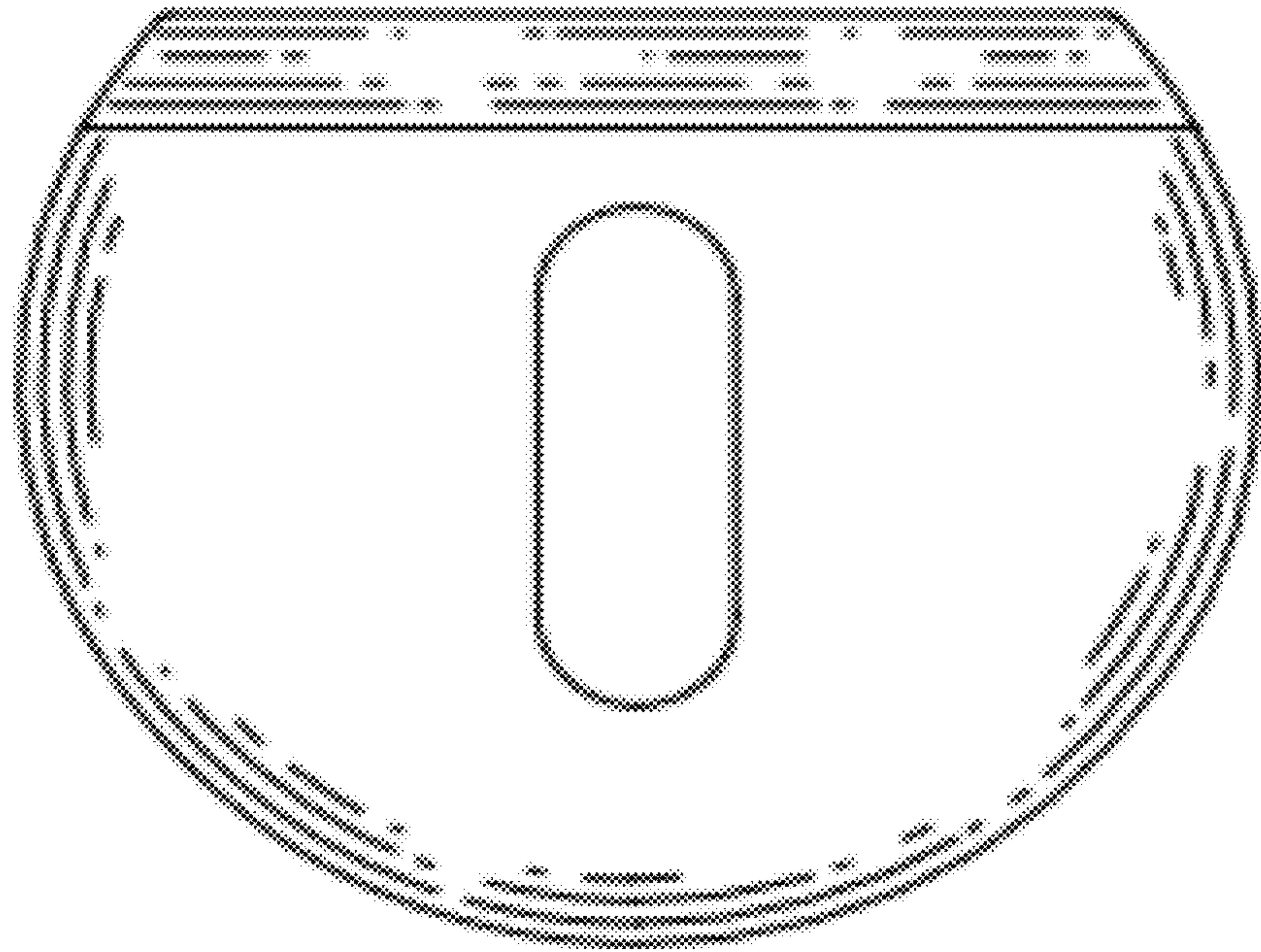


FIG. 7

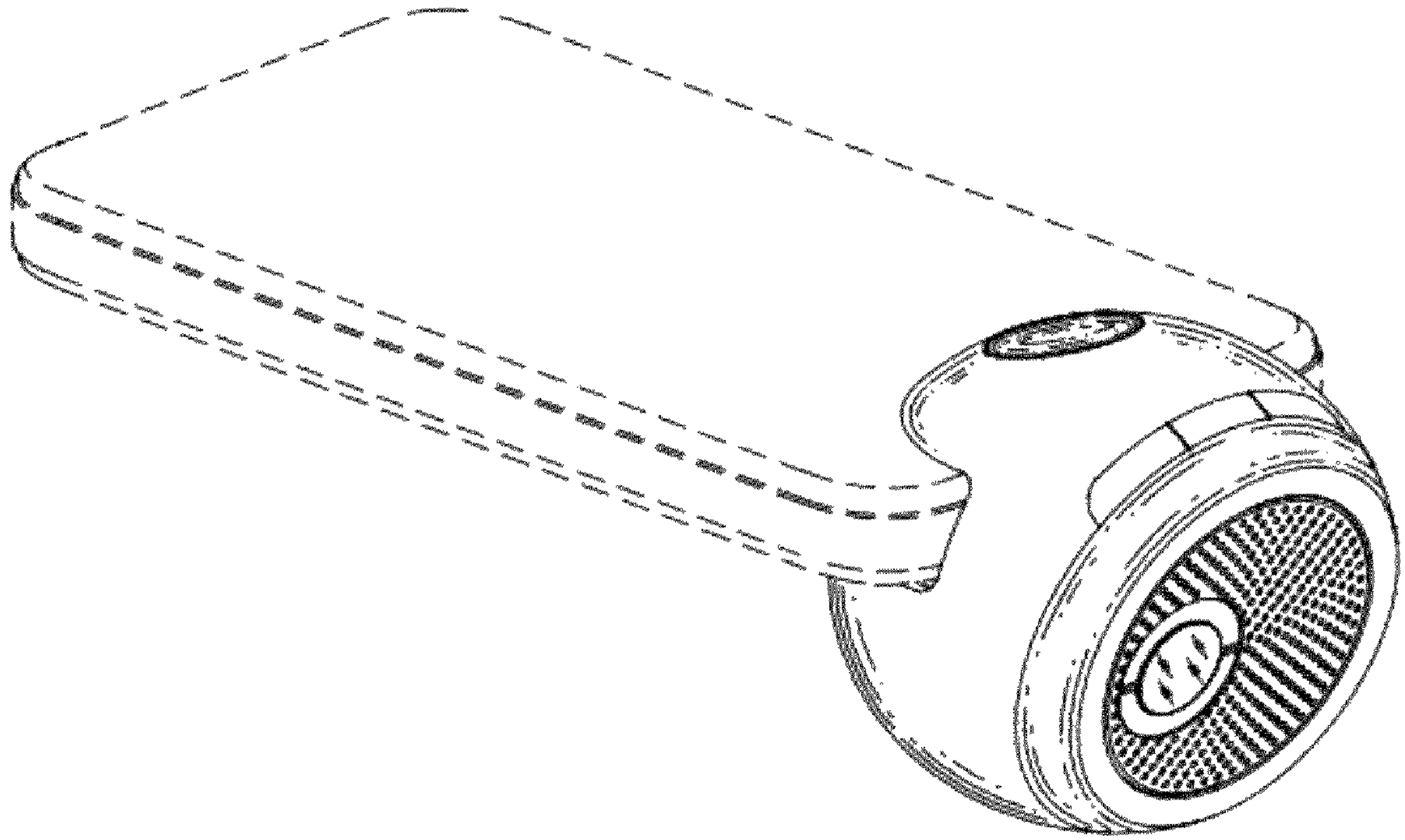


FIG. 8