



US00D659735S

(12) **United States Design Patent**  
**Sato**

(10) **Patent No.:** **US D659,735 S**  
(45) **Date of Patent:** **\*\* May 15, 2012**

(54) **ELECTRONIC CAMERA**

(75) Inventor: **Jun Sato**, Minato-ku (JP)

(73) Assignee: **FUJIFILM Corporation**, Tokyo (JP)

(\*\*) Term: **14 Years**

(21) Appl. No.: **29/394,430**

(22) Filed: **Jun. 16, 2011**

(30) **Foreign Application Priority Data**

Jan. 5, 2011 (JP) ..... 2011-000073

(51) **LOC (9) Cl.** ..... **16-01**

(52) **U.S. Cl.** ..... **D16/212; D16/202**

(58) **Field of Classification Search** ..... D16/200,  
D16/202, 204, 208, 212, 218, 219; 348/373-376;  
358/909.1; 396/349, 448, 535  
See application file for complete search history.

(56) **References Cited**

**U.S. PATENT DOCUMENTS**

D542,322 S \* 5/2007 Miyashita ..... D16/218  
D570,391 S \* 6/2008 Hibi ..... D16/218  
D574,029 S \* 7/2008 Yamagishi ..... D16/218  
D608,812 S \* 1/2010 Tainaka ..... D16/212

D629,033 S \* 12/2010 Morisawa et al. .... D16/212  
D635,605 S \* 4/2011 Katayama ..... D16/212  
7,940,517 B2 \* 5/2011 Kitagawa et al. .... 396/535  
8,063,983 B2 \* 11/2011 Kotake et al. .... 348/375

\* cited by examiner

*Primary Examiner* — Adir Aronovich

(74) *Attorney, Agent, or Firm* — Sughrue Mion, PLLC

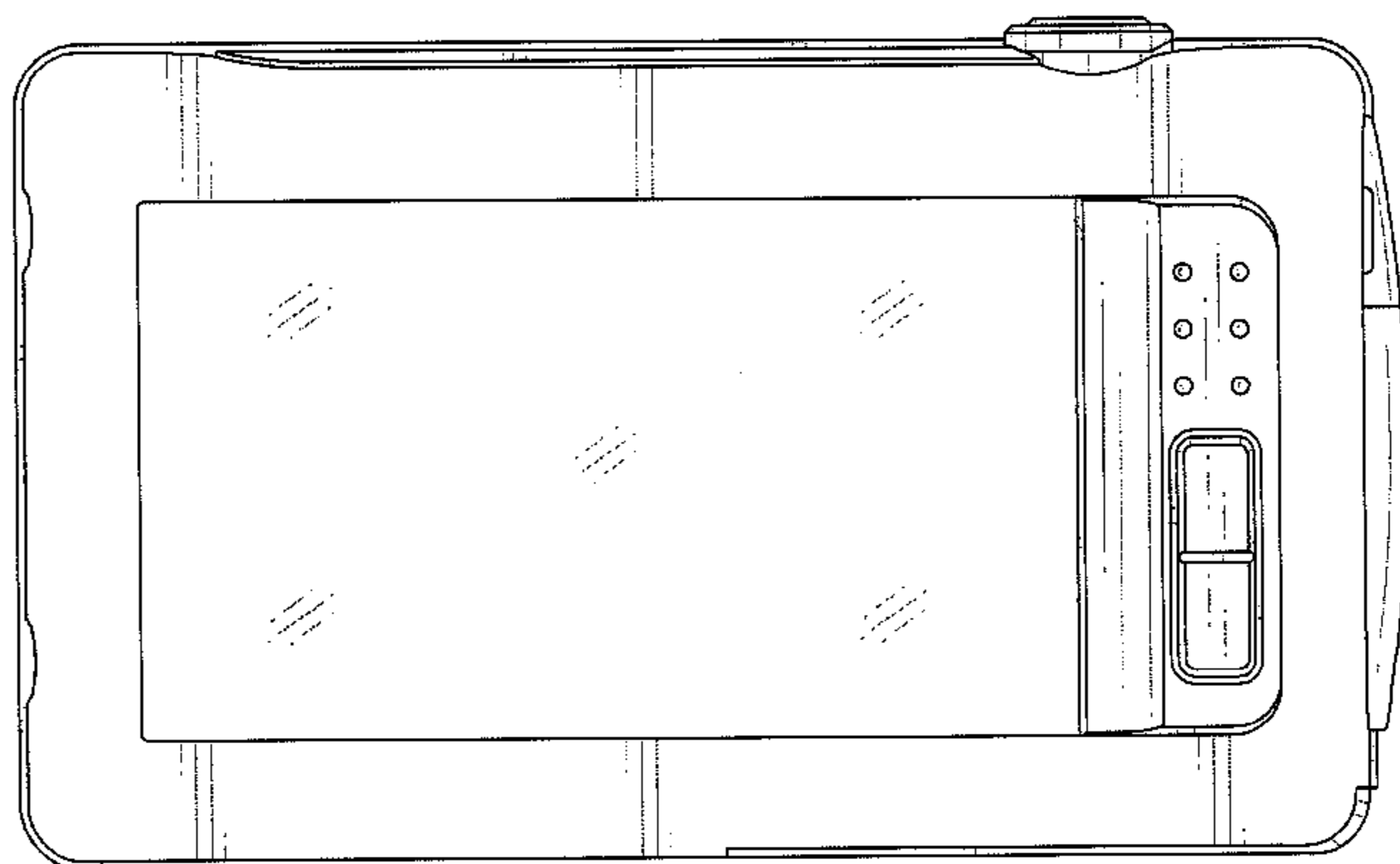
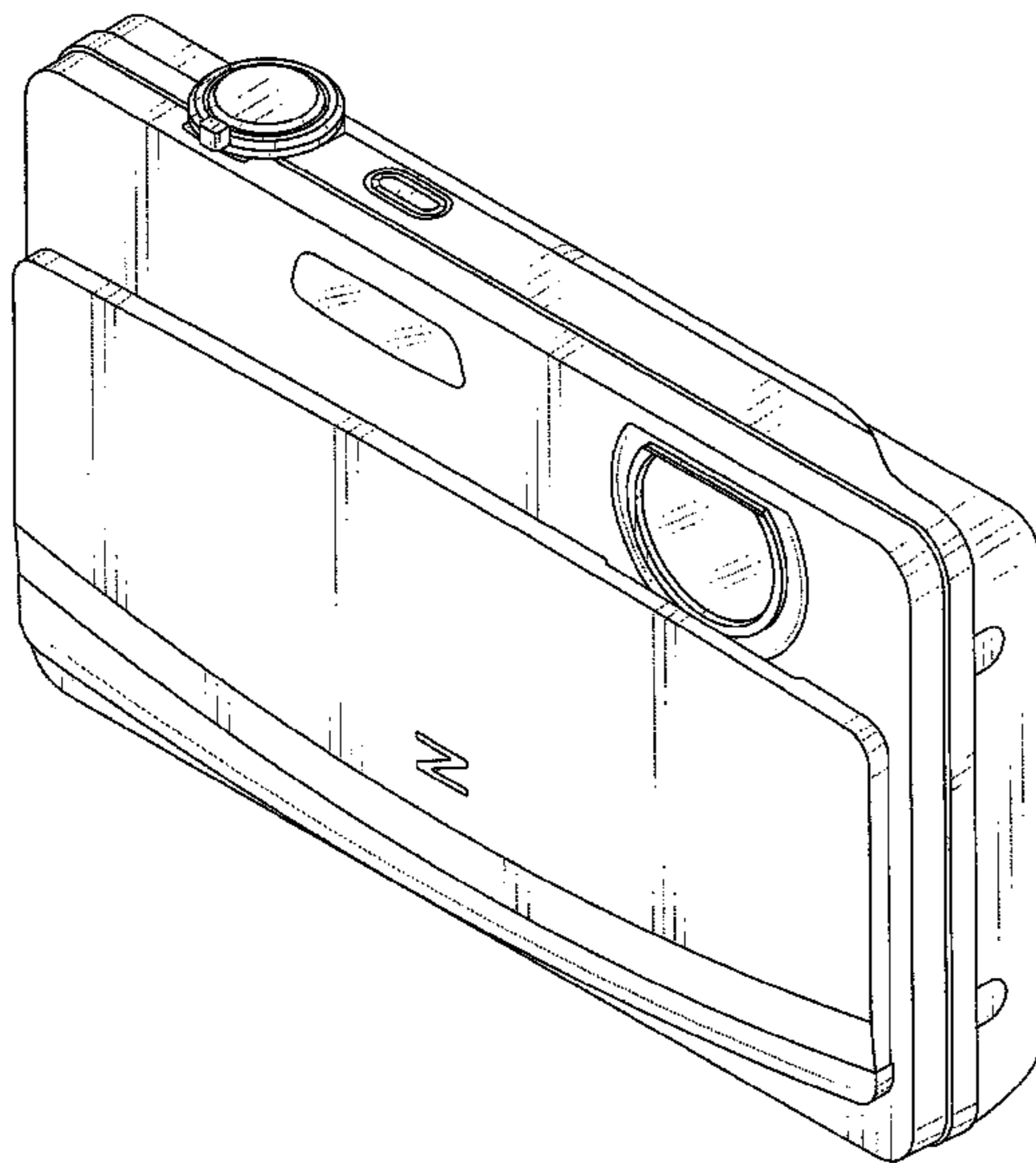
(57) **CLAIM**

The ornamental design for an electronic camera, as shown and described.

**DESCRIPTION**

FIG. 1 is top, front and right side perspective view of an electronic camera showing my new design;  
FIG. 2 is a front elevational view thereof;  
FIG. 3 is a rear elevational view thereof;  
FIG. 4 is a top plan view thereof;  
FIG. 5 is a bottom plan view thereof;  
FIG. 6 is a right side elevational view thereof;  
FIG. 7 is a left side elevational view thereof;  
FIG. 8 is top, front and right side perspective view thereof, with the lens cover in a closed position; and,  
FIG. 9 is a front elevational view thereof, with the lens cover in a closed position.

**1 Claim, 9 Drawing Sheets**



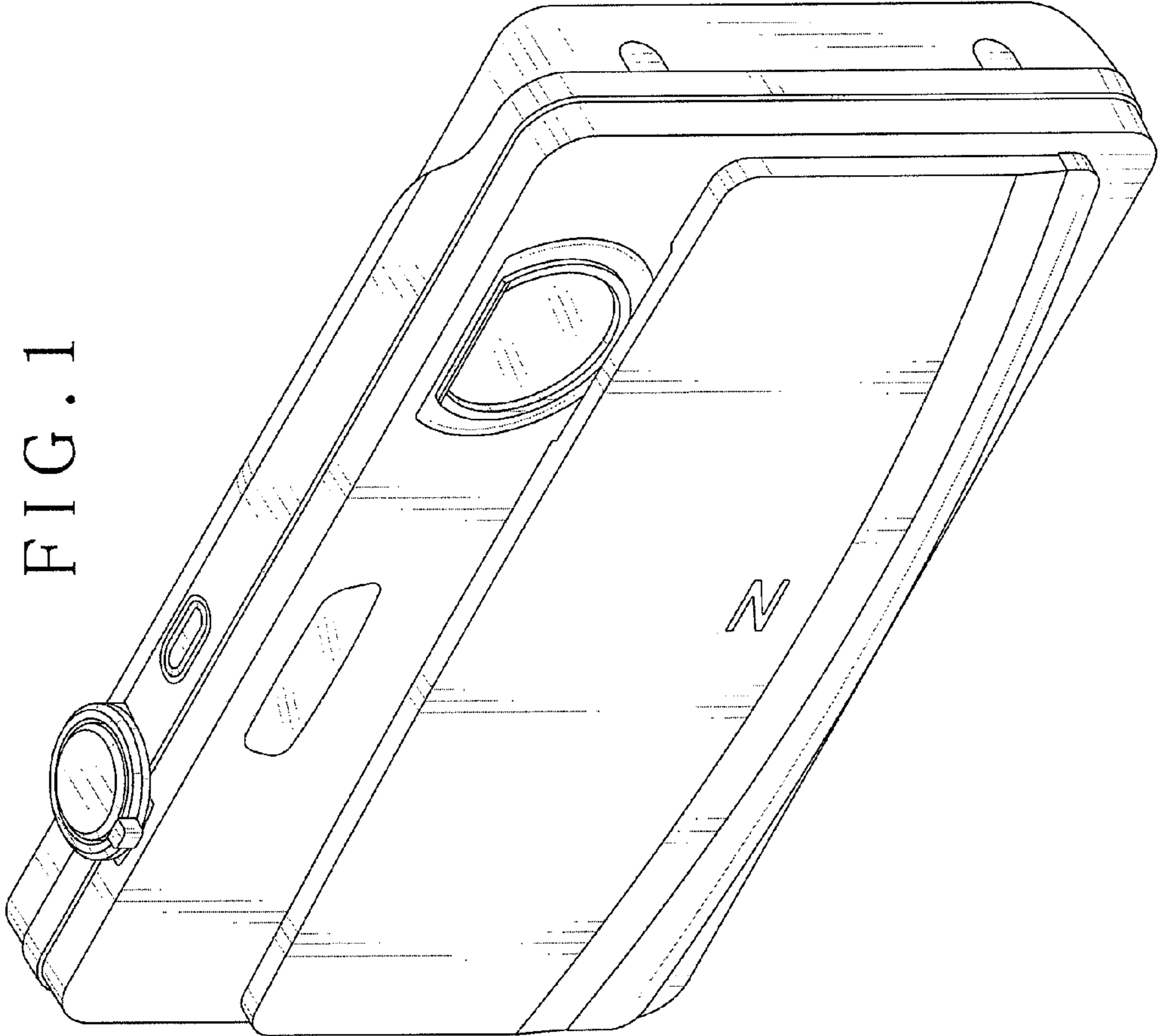


FIG. 1

FIG. 2

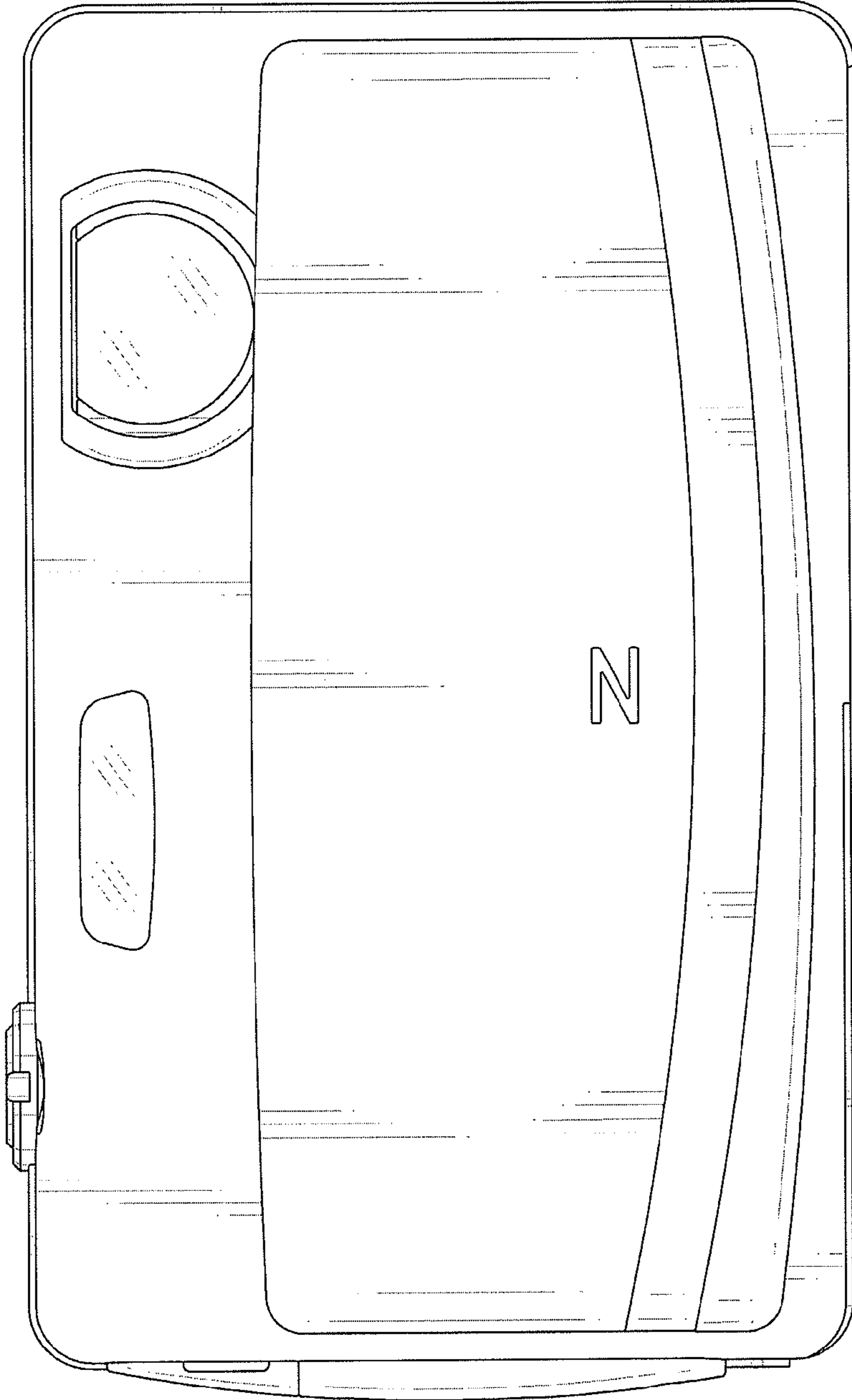


FIG. 3

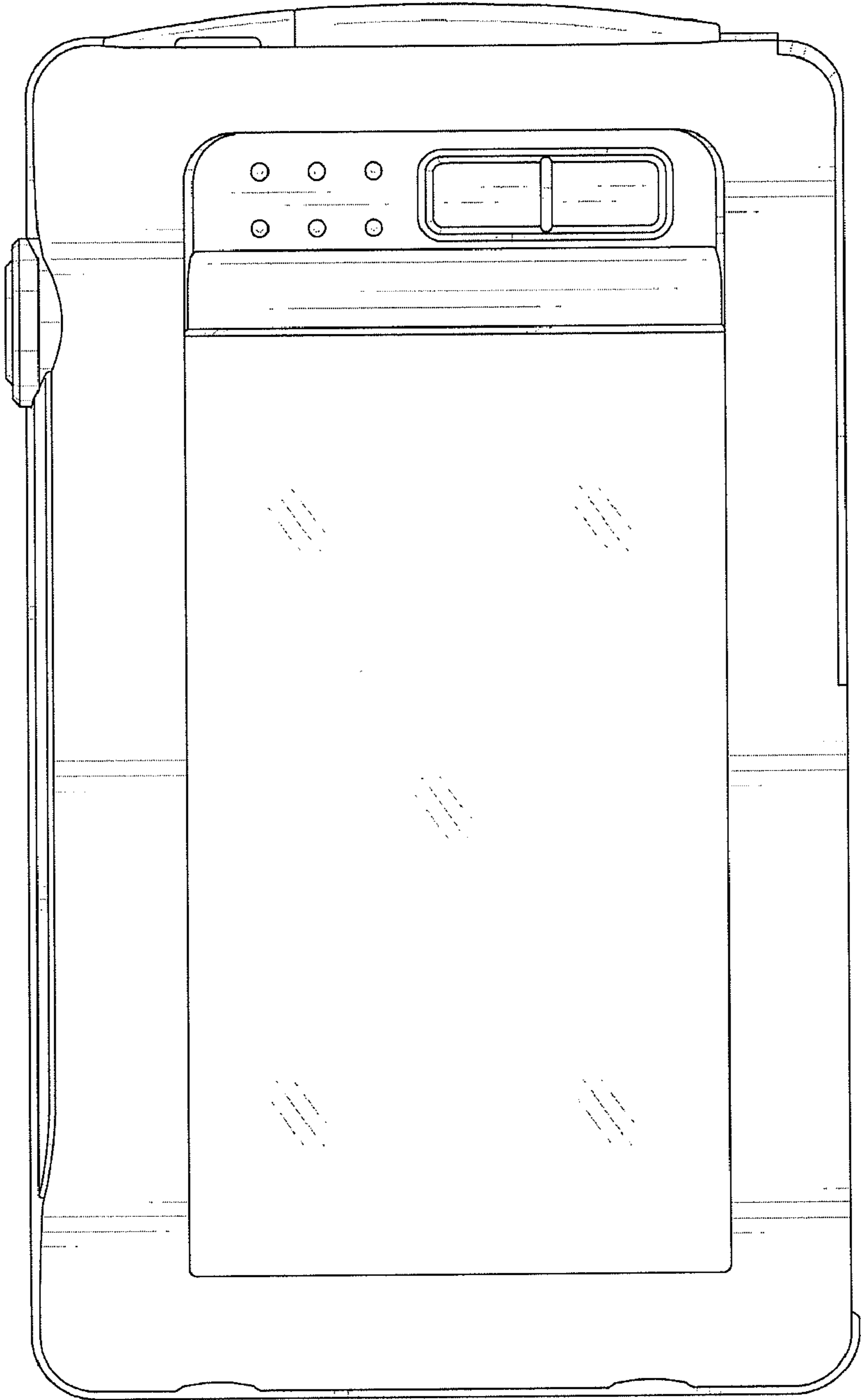


FIG. 4

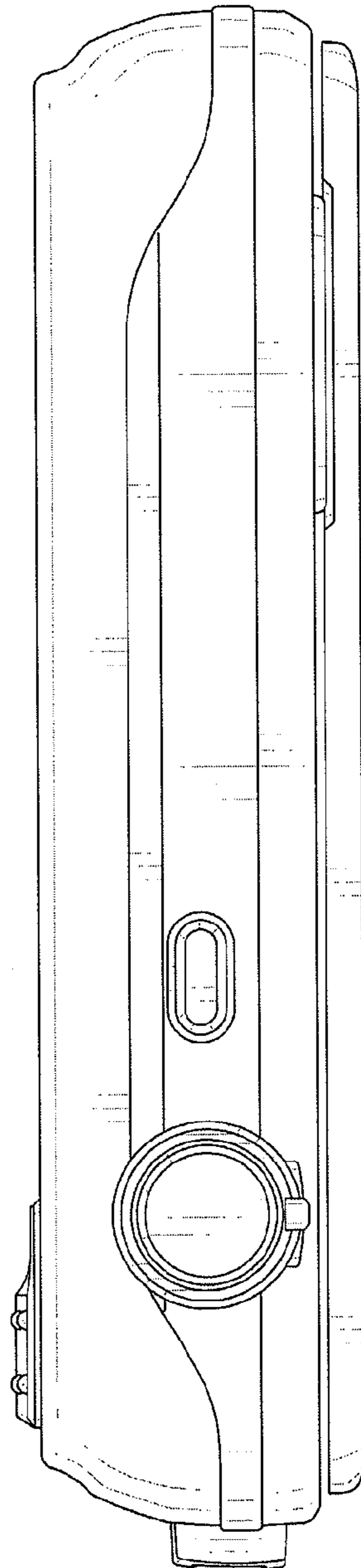


FIG. 5

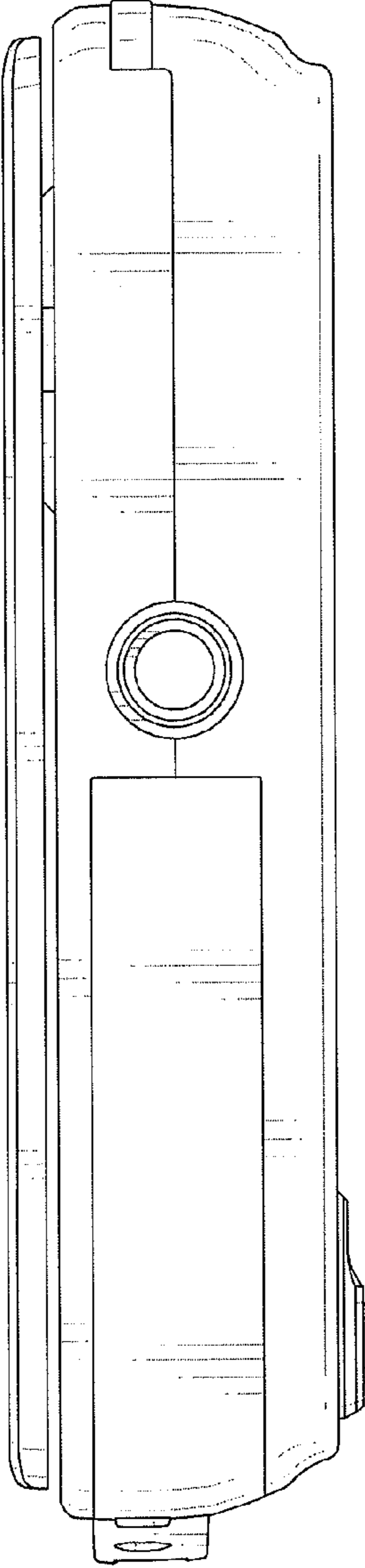


FIG. 6

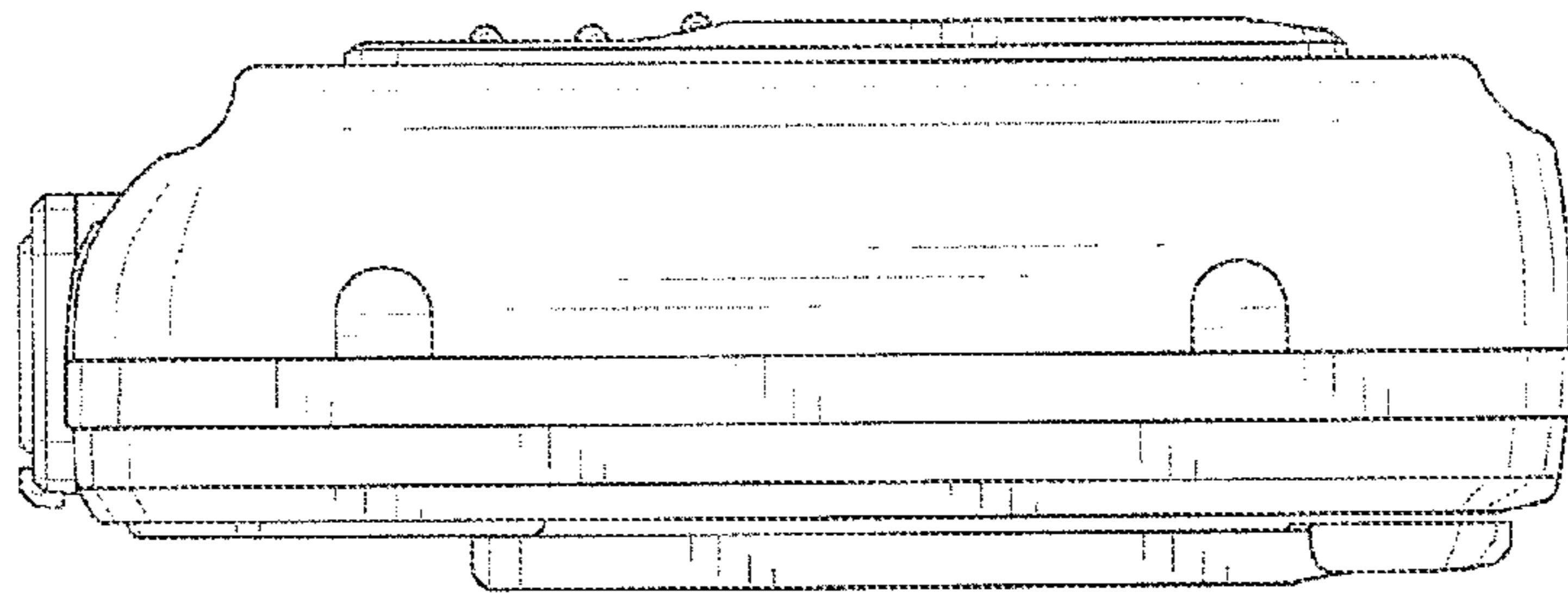


FIG. 7

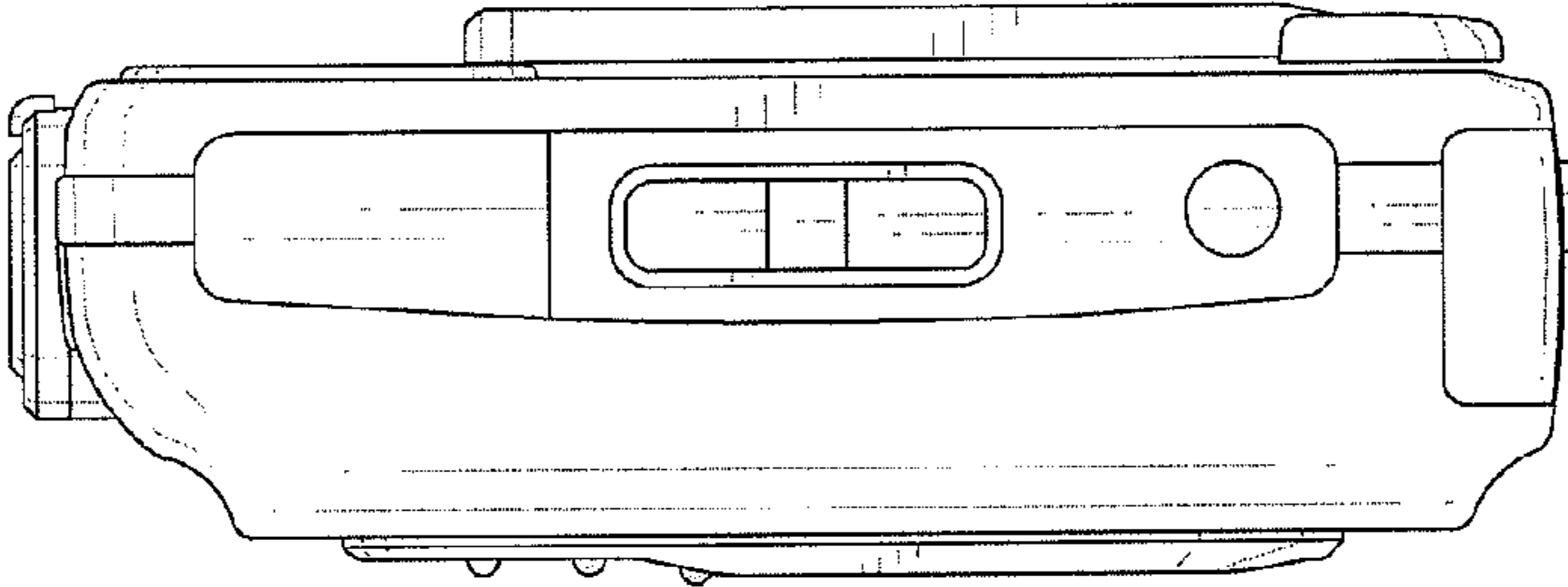




FIG. 8

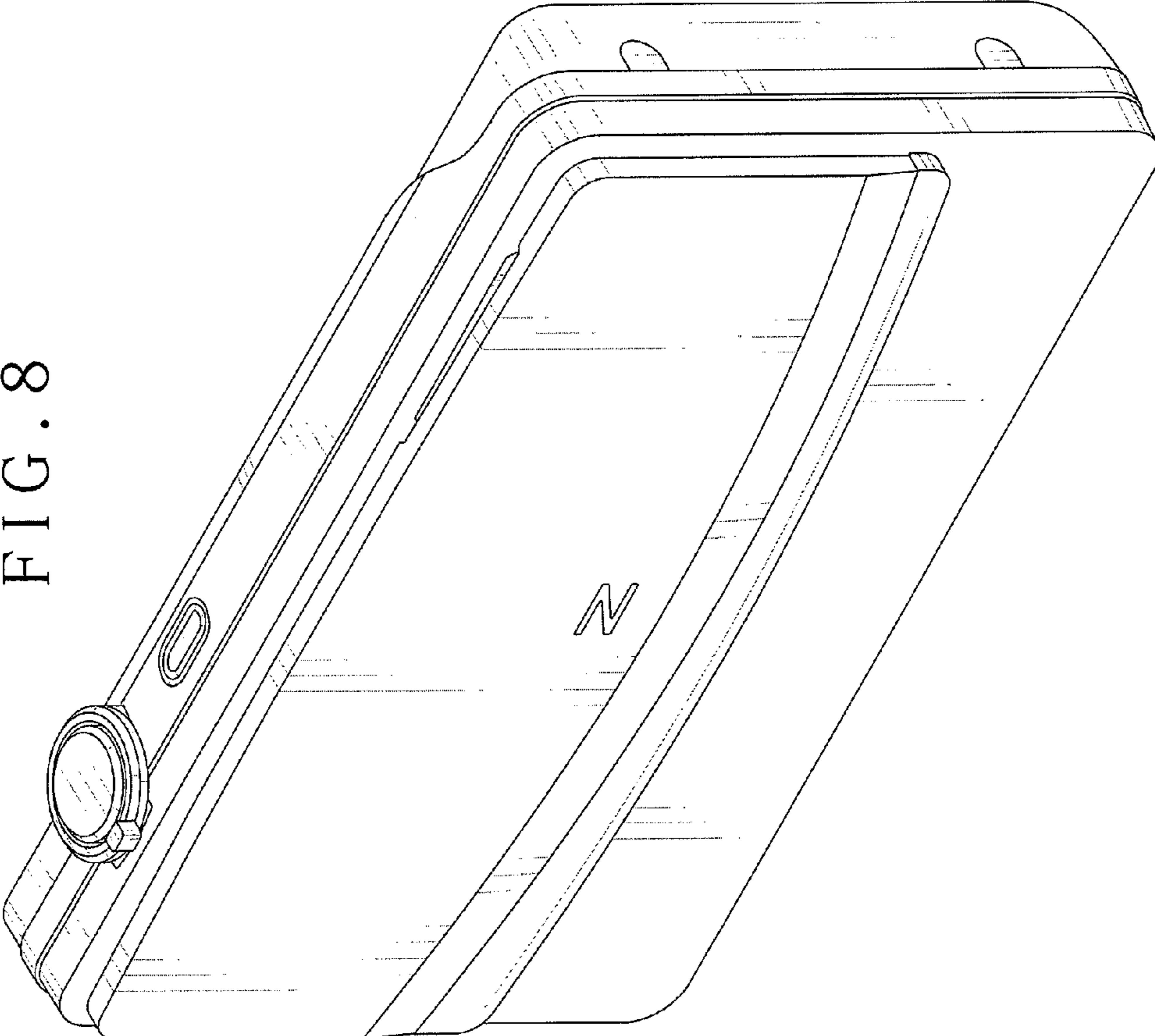


FIG. 9

