



US00D659734S

(12) **United States Design Patent**  
**Ip et al.**

(10) **Patent No.:** **US D659,734 S**

(45) **Date of Patent:** **\*\* May 15, 2012**

(54) **WEBCAM**

(75) Inventors: **Michael C. Ip**, Fremont, CA (US);  
**Rudy Widiaman**, The Woodlands, TX  
(US); **Shanshan Li**, Fort Collins, CO  
(US); **Dean L. Sanderson**, Erie, CO  
(US); **Bong-Ki Jung**, Yongin-si (KR);  
**Man-Cheol Kim**, Anyang-si (KR)

(73) Assignee: **Hewlett-Packard Company**, Palo Alto,  
CA (US)

(\*\*) Term: **14 Years**

(21) Appl. No.: **29/399,570**

(22) Filed: **Aug. 16, 2011**

(51) **LOC (9) Cl.** ..... **16-01**

(52) **U.S. Cl.** ..... **D16/202**

(58) **Field of Classification Search** ..... D16/200–205,  
D16/208, 218, 242; 348/373–376; 358/906;  
396/533–541

See application file for complete search history.

(56) **References Cited**

U.S. PATENT DOCUMENTS

D500,511 S \* 1/2005 Sybilrud ..... D16/203  
D547,346 S \* 7/2007 Ollila ..... D16/203  
D582,953 S \* 12/2008 Chang ..... D16/202  
D589,996 S \* 4/2009 Kellar et al. .... D16/203

D616,007 S \* 5/2010 Teppan et al. .... D16/203  
D618,717 S \* 6/2010 Frank et al. .... D16/203  
D643,453 S \* 8/2011 Ham ..... D16/203  
D647,937 S \* 11/2011 Raken et al. .... D16/203

OTHER PUBLICATIONS

HP, HP Introduces New Accessories for Personalized Digital Expe-  
rience, Sep. 15, 2010, pp. 1-4, Palo Alto, California USA.

\* cited by examiner

*Primary Examiner* — Adir Aronovich

(57) **CLAIM**

The ornamental design for a webcam, as shown and  
described.

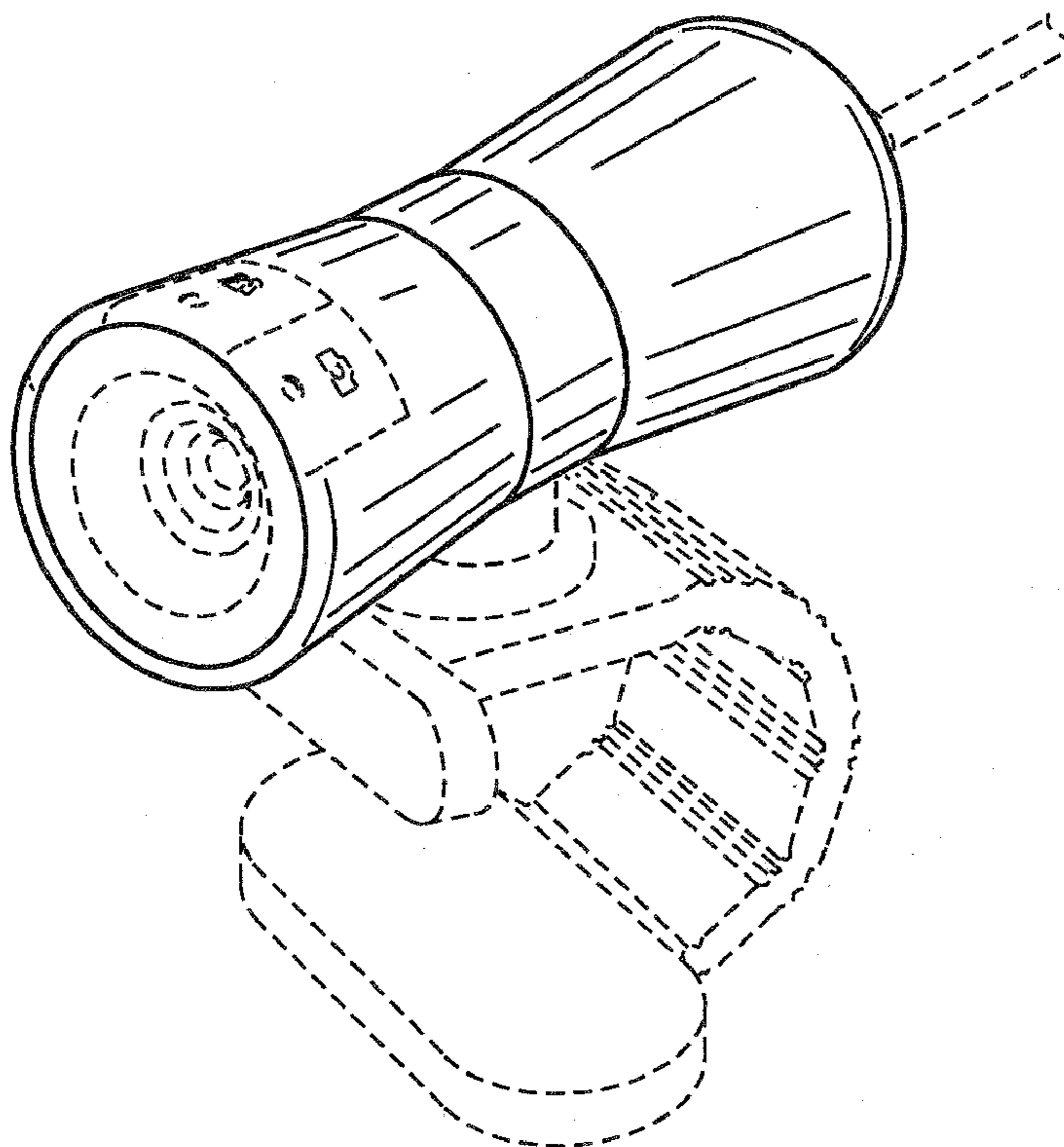
**DESCRIPTION**

FIG. 1 is a perspective view of a webcam;  
FIG. 2 is a right elevational view thereof;  
FIG. 3 is a top plan view thereof;  
FIG. 4 is a bottom plan view thereof;  
FIG. 5 is a front elevational view thereof; and,  
FIG. 6 is a back elevational view thereof.

The broken lines in the drawings are directed to environment  
and are for illustrative purposes only; the broken lines form no  
part of the claimed design.

The left side of the webcam, not shown, is a mirror image of  
the right side of the webcam or has a shape and appearance  
that would be evident from the right side of the webcam.

**1 Claim, 3 Drawing Sheets**



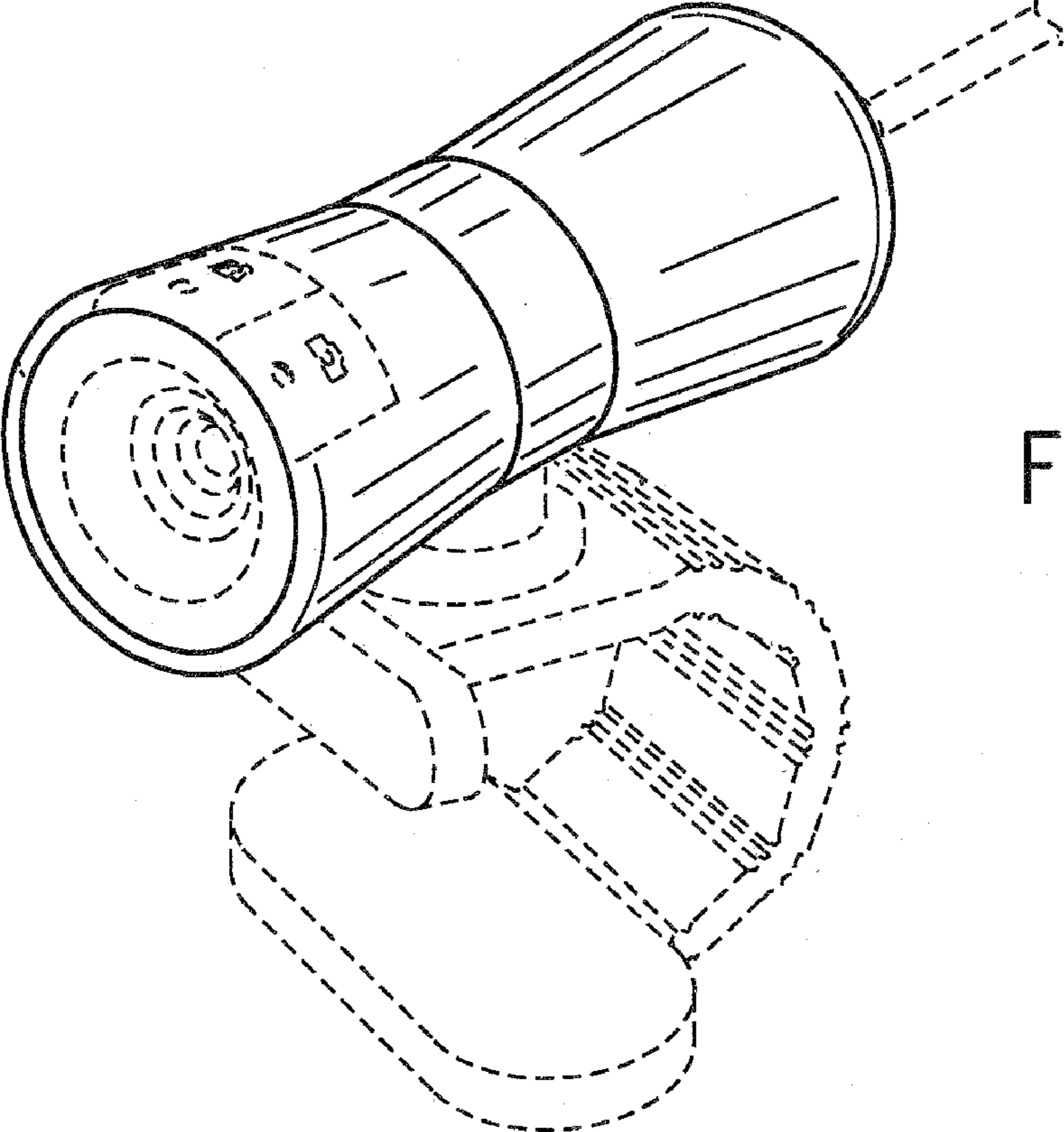


FIG. 1

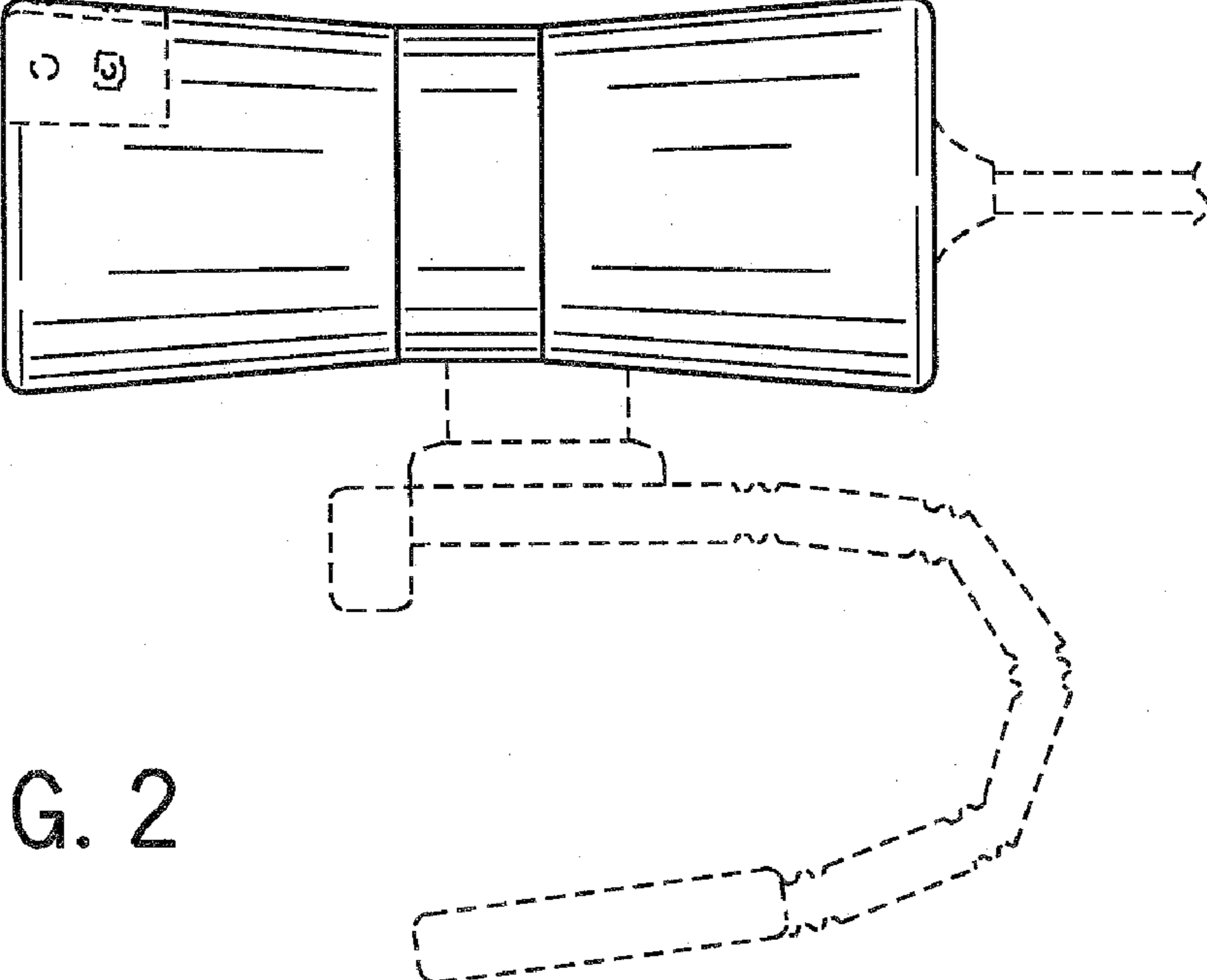


FIG. 2

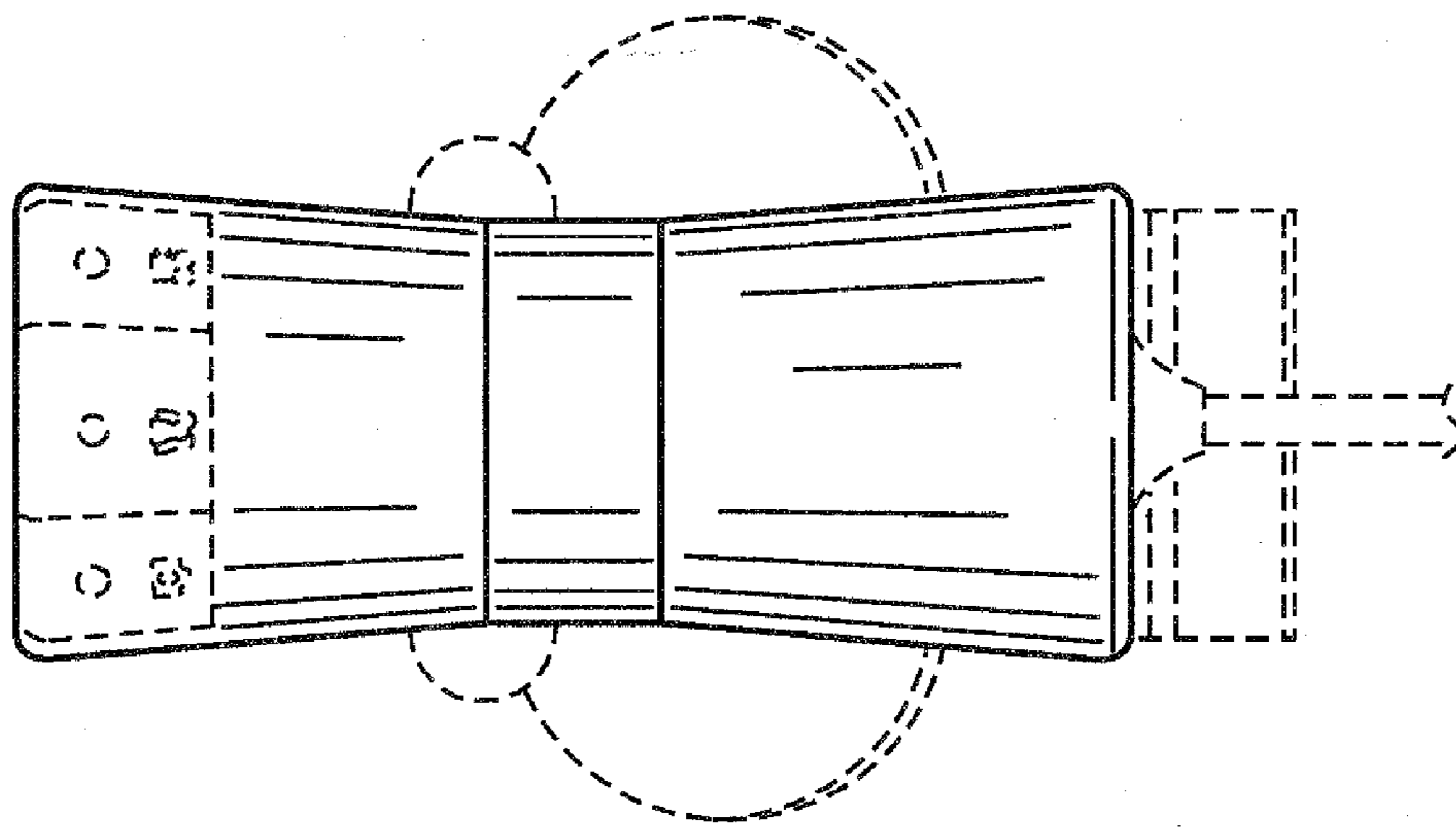


FIG. 3

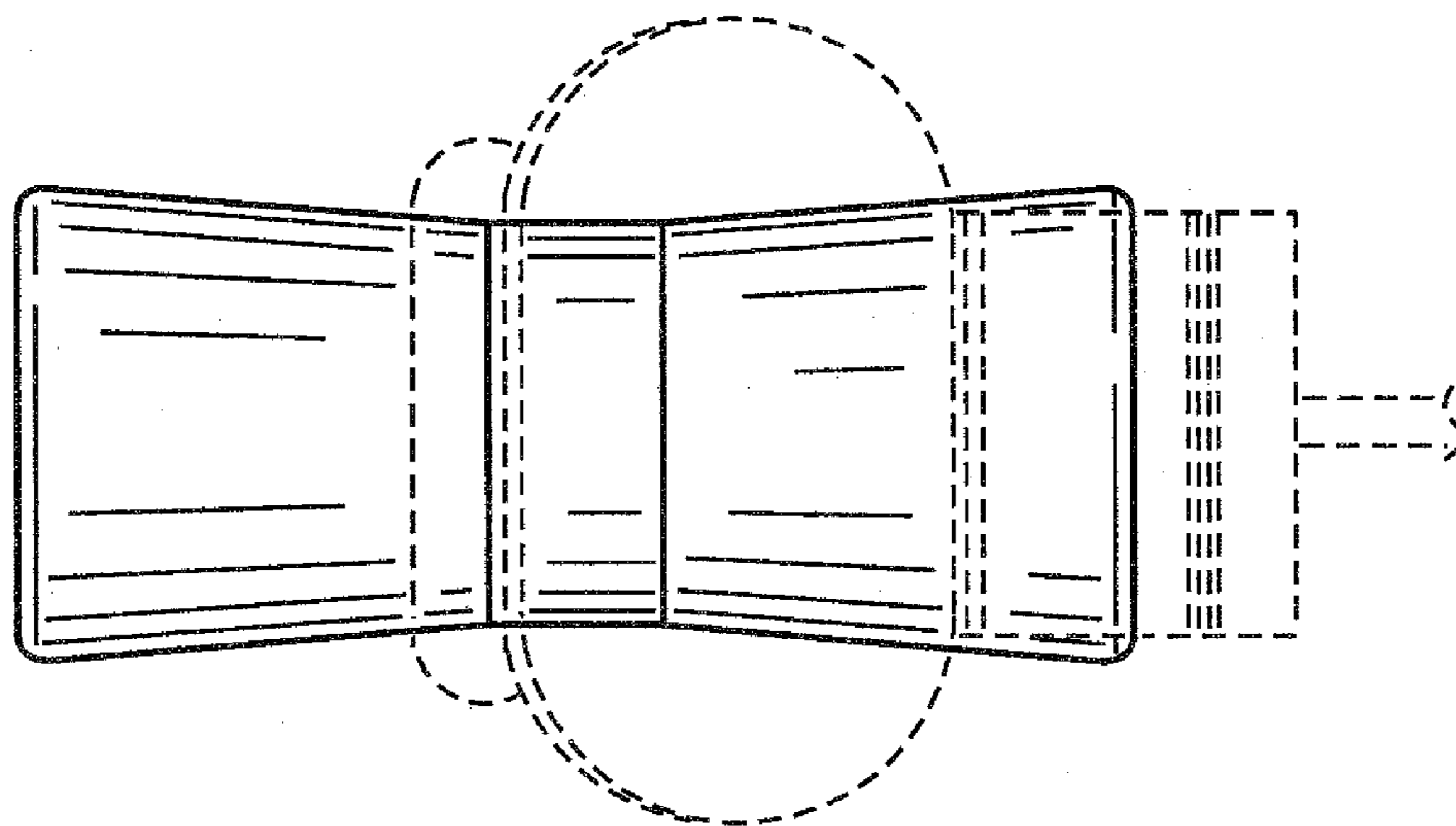


FIG. 4

FIG. 5

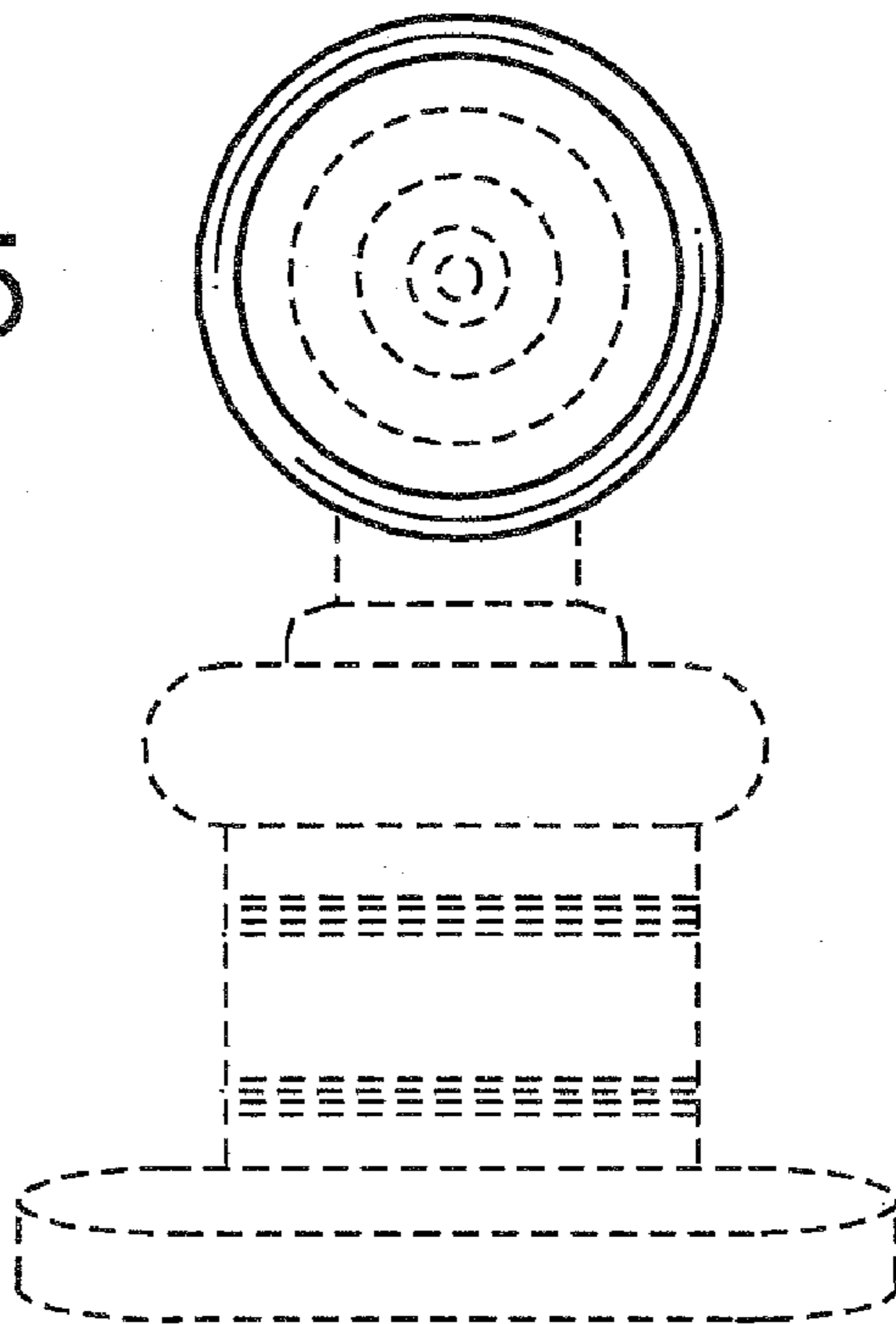


FIG. 6

