



US00D659733S

(12) **United States Design Patent**
Chen

(10) **Patent No.:** **US D659,733 S**

(45) **Date of Patent:** **** May 15, 2012**

(54) **WEBCAM**

(75) **Inventor:** **Chih-Chung Chen**, New Taipei (TW)

(73) **Assignee:** **Cheng Uei Precision Industry Co., Ltd.**, New Taipei (TW)

(**) **Term:** **14 Years**

(21) **Appl. No.:** **29/396,230**

(22) **Filed:** **Jun. 28, 2011**

(51) **LOC (9) Cl.** **16-01**

(52) **U.S. Cl.** **D16/202; D16/203**

(58) **Field of Classification Search** D16/200,
D16/202, 203, 208, 218, 242; 348/143, 373-376;
396/419, 427, 535-541

See application file for complete search history.

(56) **References Cited**

U.S. PATENT DOCUMENTS

D388,107 S *	12/1997	Huckins	D16/208
D396,869 S *	8/1998	Yamakawa et al.	D16/202
D447,758 S *	9/2001	Lin et al.	D16/202
D454,900 S *	3/2002	Tsang et al.	D16/202
6,705,774 B2 *	3/2004	Tashiro et al.	396/427
D505,146 S *	5/2005	Ou	D16/203
D575,316 S *	8/2008	Liu et al.	D16/202

D585,925 S *	2/2009	Kuo	D16/202
7,736,071 B2 *	6/2010	Wahl et al.	396/419
D639,839 S *	6/2011	Kao	D16/202
D647,935 S *	11/2011	Raken et al.	D16/202

* cited by examiner

Primary Examiner — Adir Aronovich

(74) *Attorney, Agent, or Firm* — Cheng-Ju Chiang

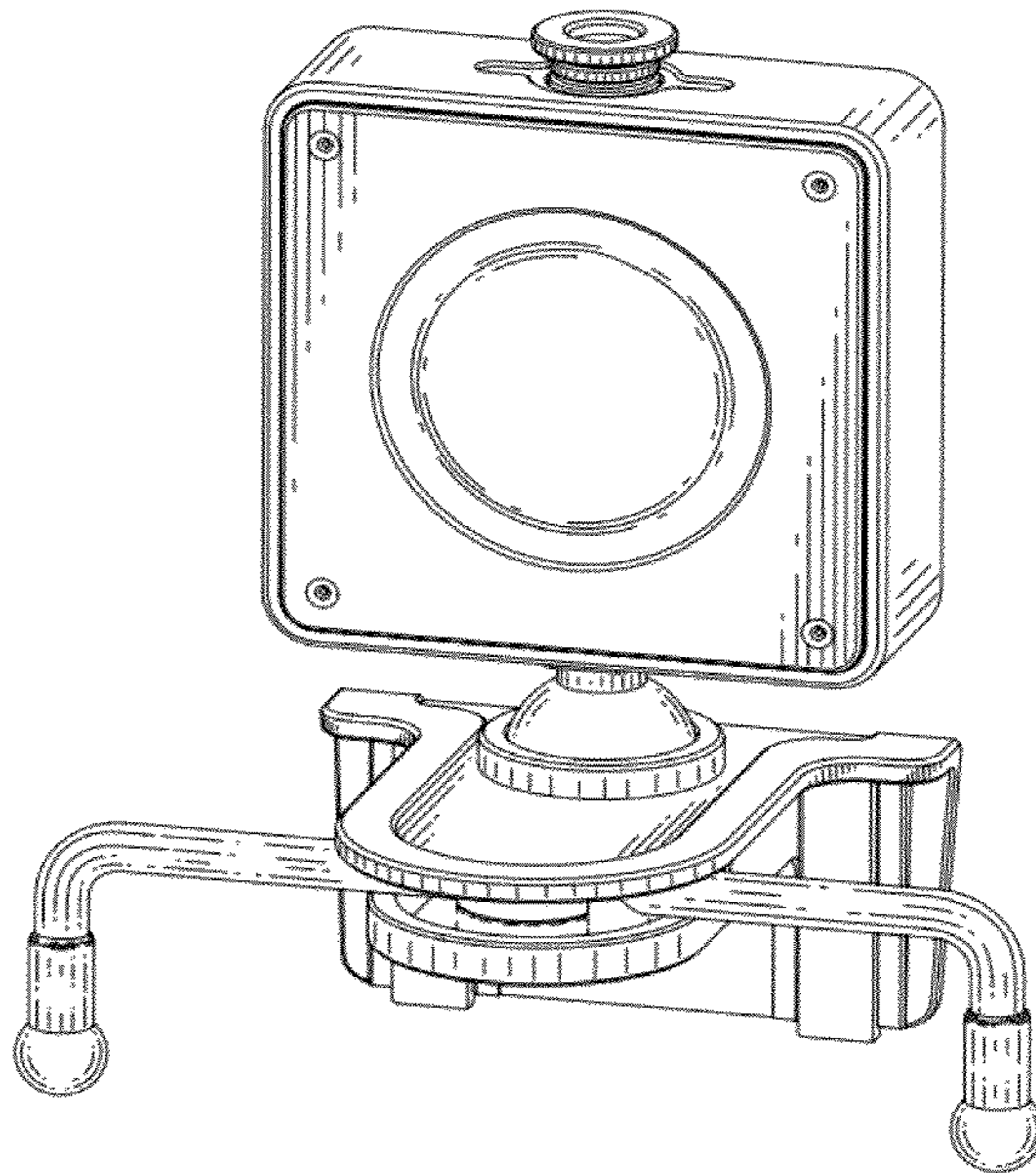
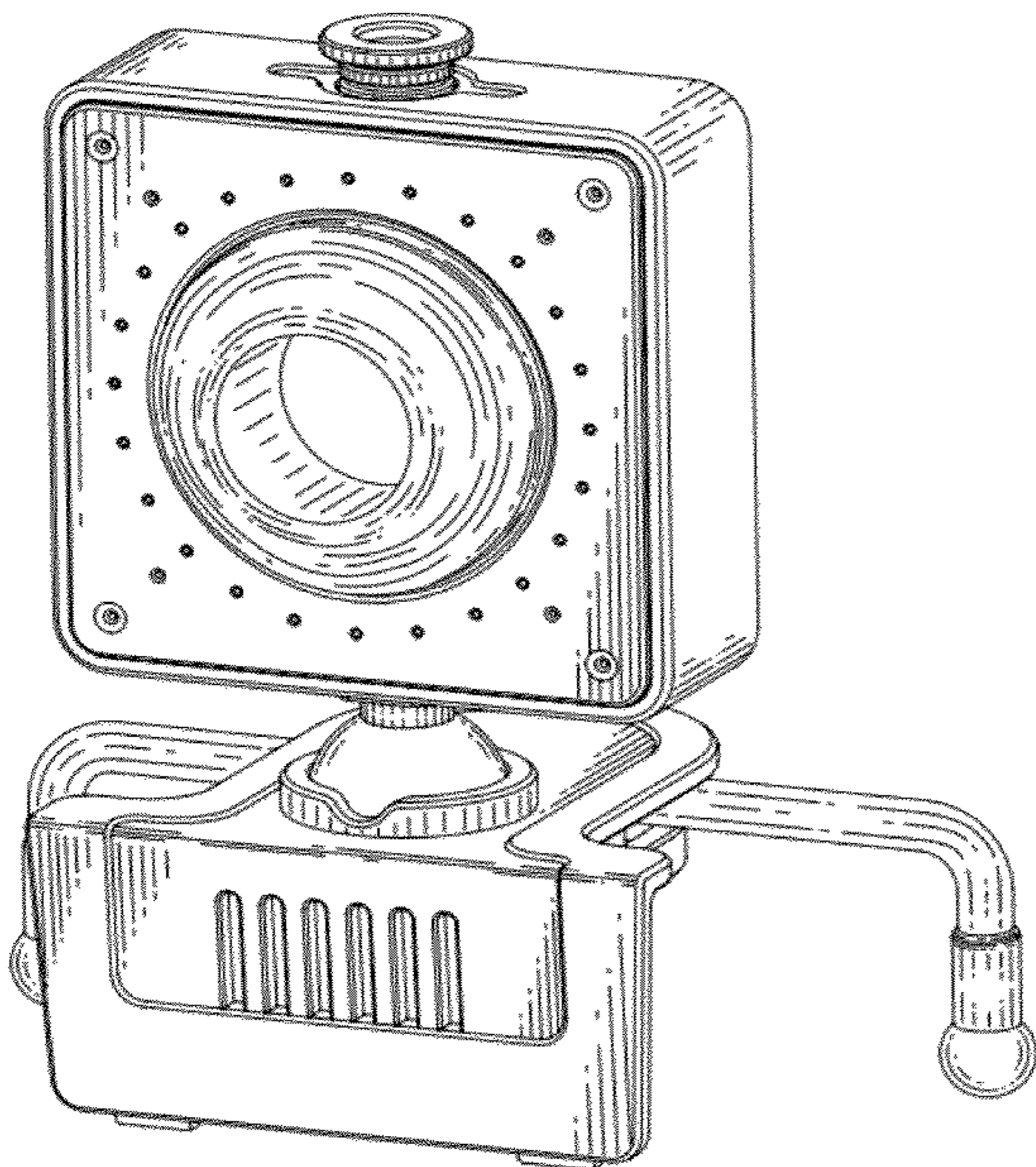
(57) **CLAIM**

The ornamental design for a webcam, as shown and described.

DESCRIPTION

FIG. 1 is a top, front and right side perspective view of a webcam showing my new design;
 FIG. 2 is a front elevational view thereof;
 FIG. 3 is a rear elevational view thereof;
 FIG. 4 is a left side elevational view thereof;
 FIG. 5 is a right side elevational view thereof;
 FIG. 6 is a top plan view thereof;
 FIG. 7 is a bottom plan view thereof; and,
 FIG. 8 is a top, rear and left side perspective view thereof.
 The broken line portion of the figure drawings is included to show unclaimed subject matter only and forms no part of the claimed design.

1 Claim, 8 Drawing Sheets



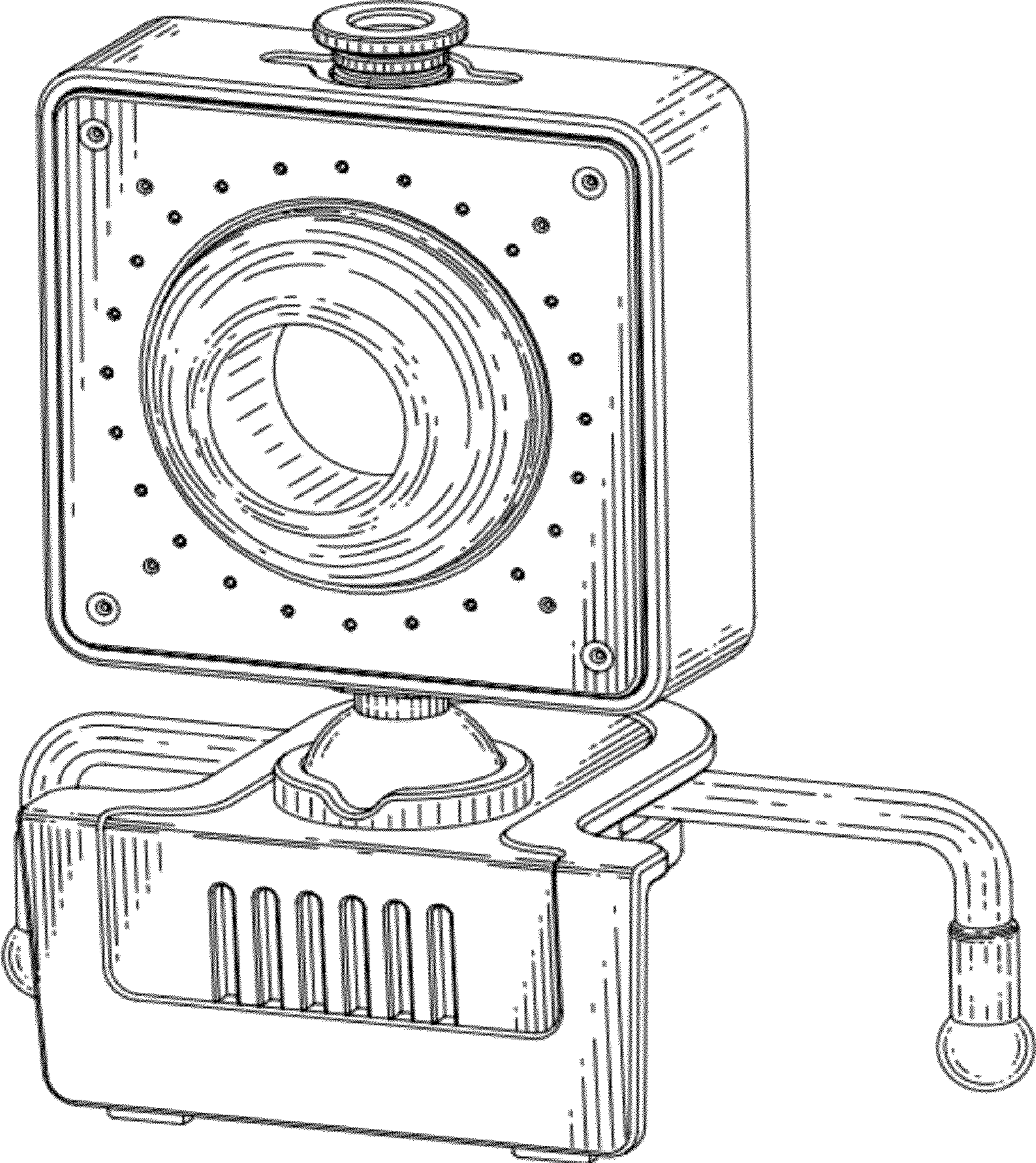


FIG. 1

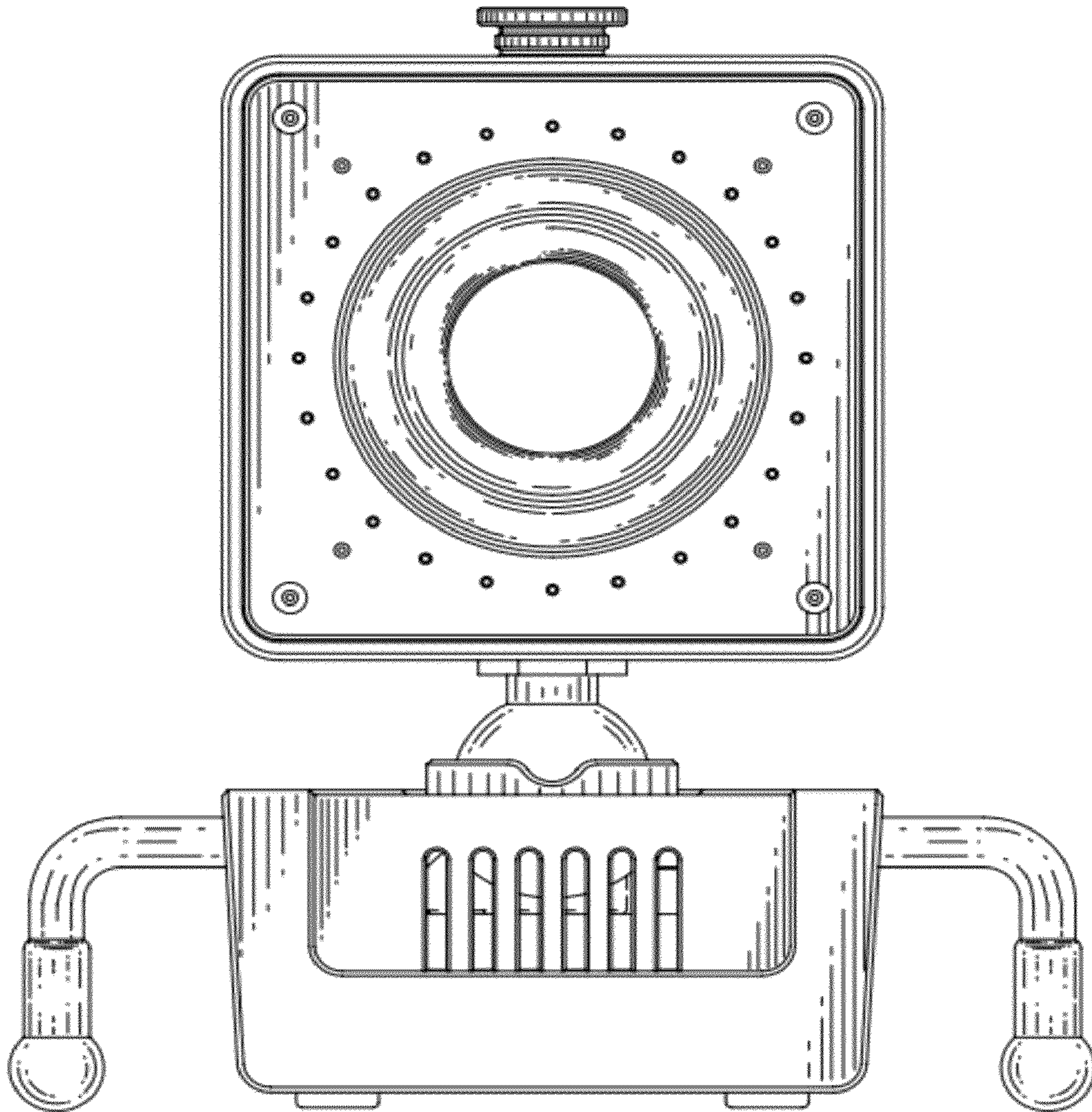


FIG. 2

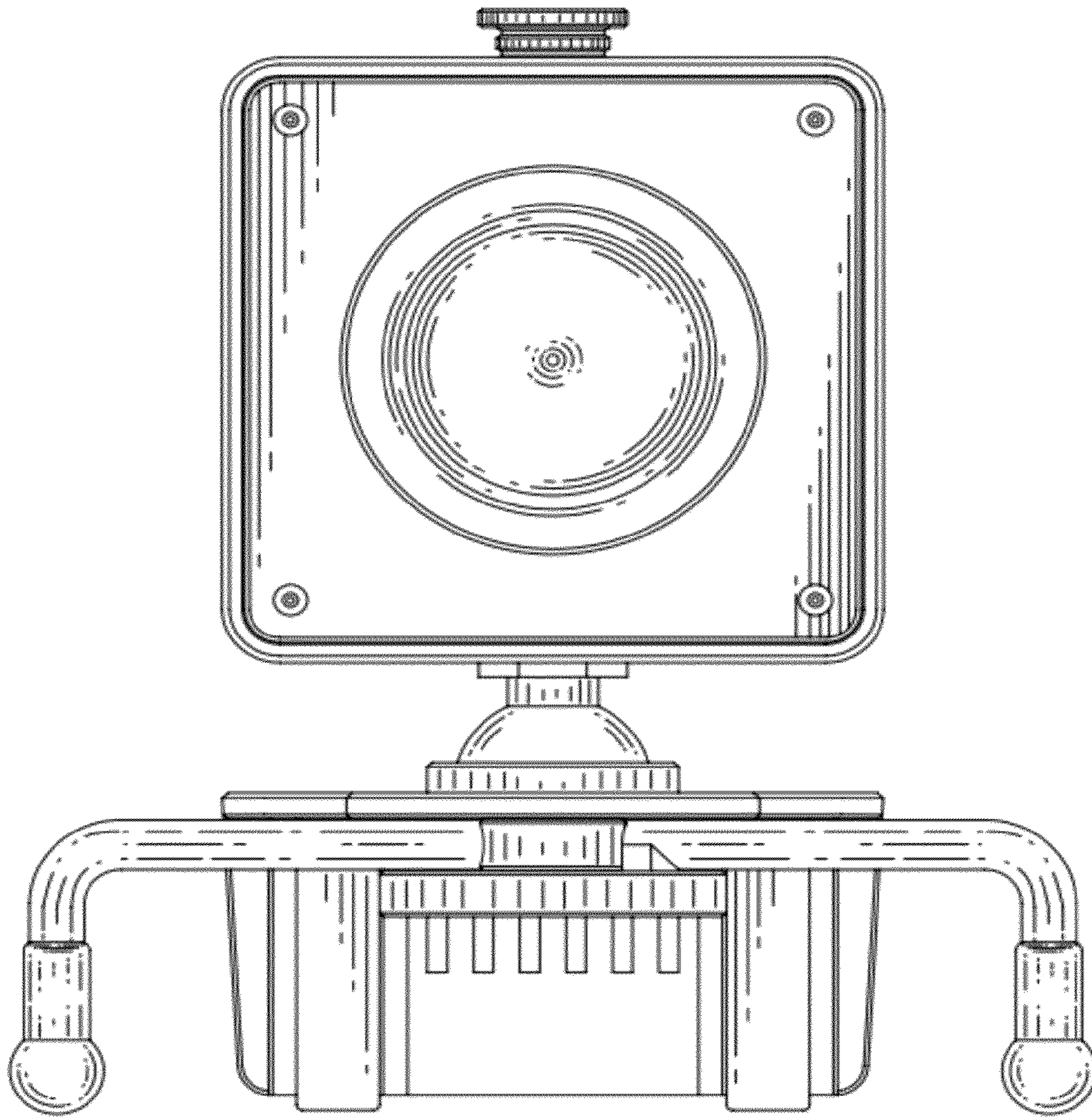


FIG. 3

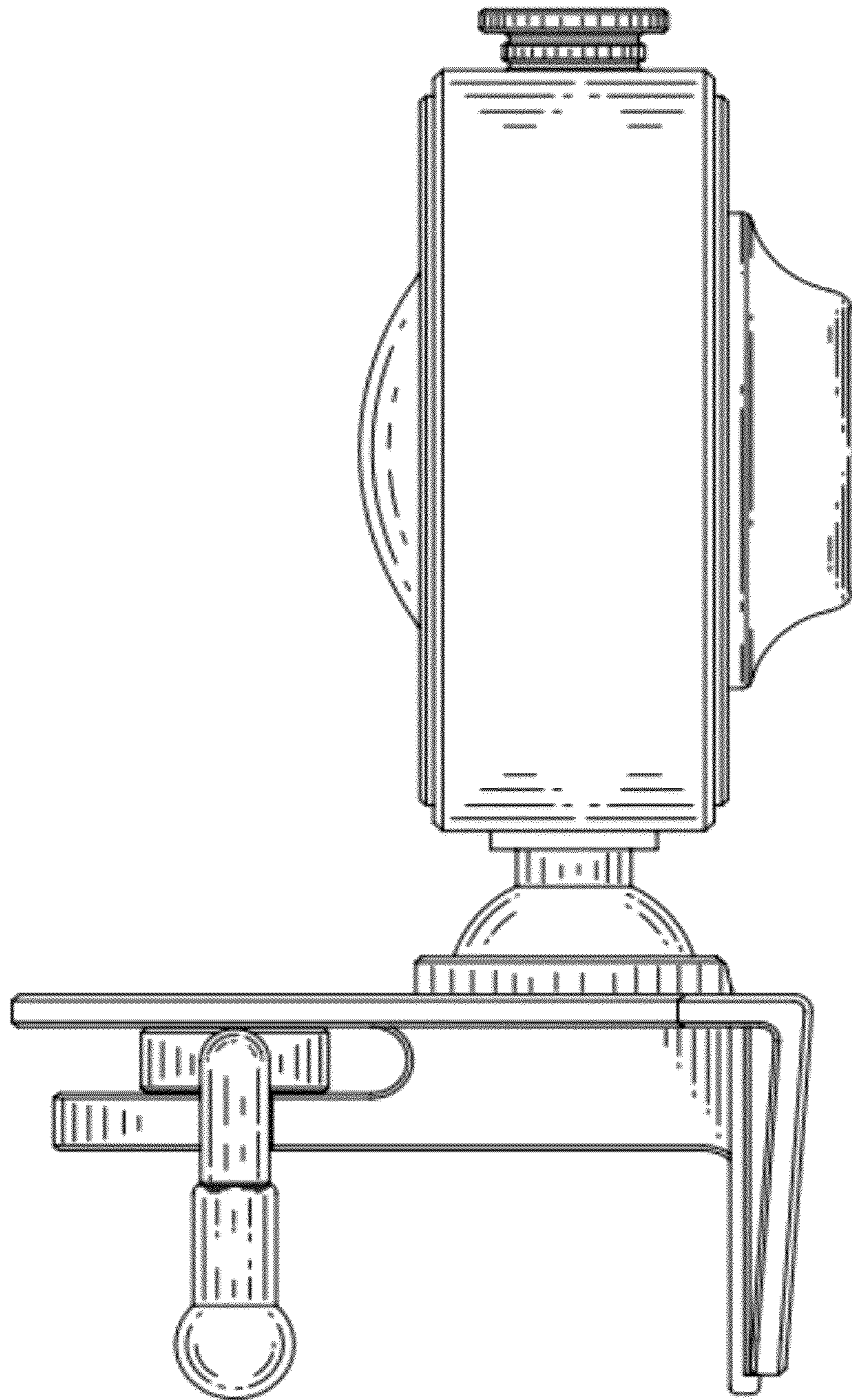


FIG. 4

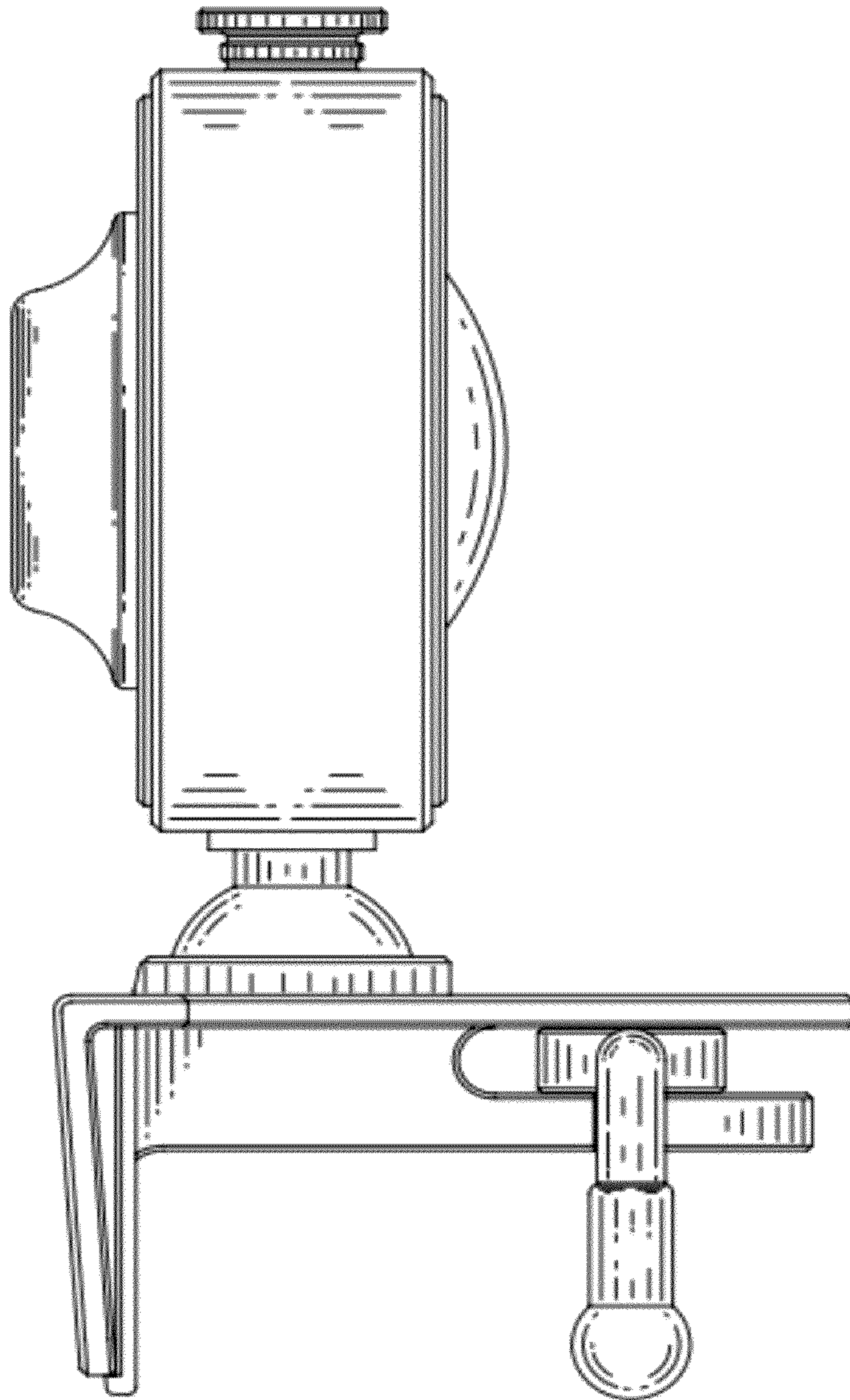


FIG. 5

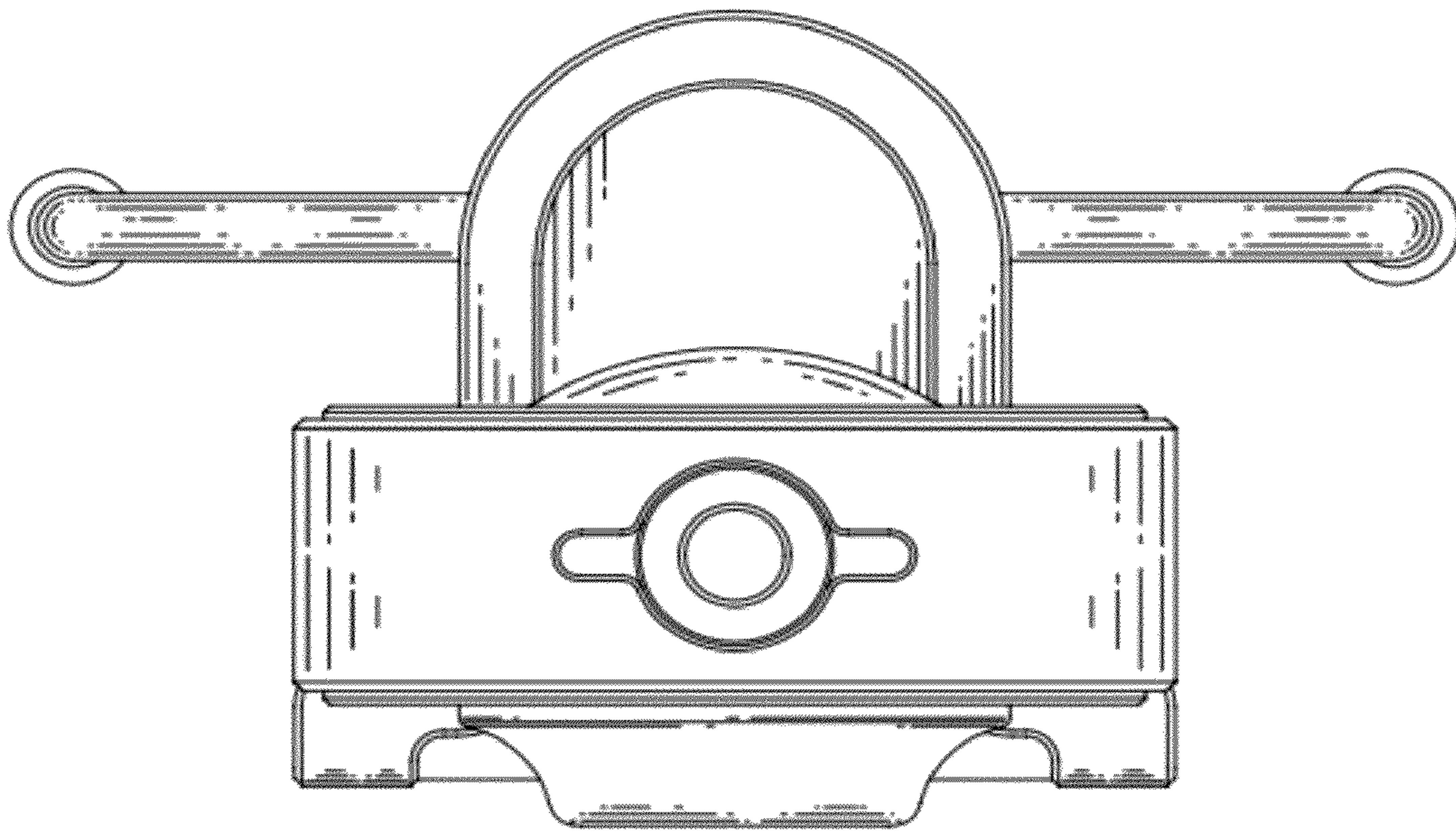


FIG. 6

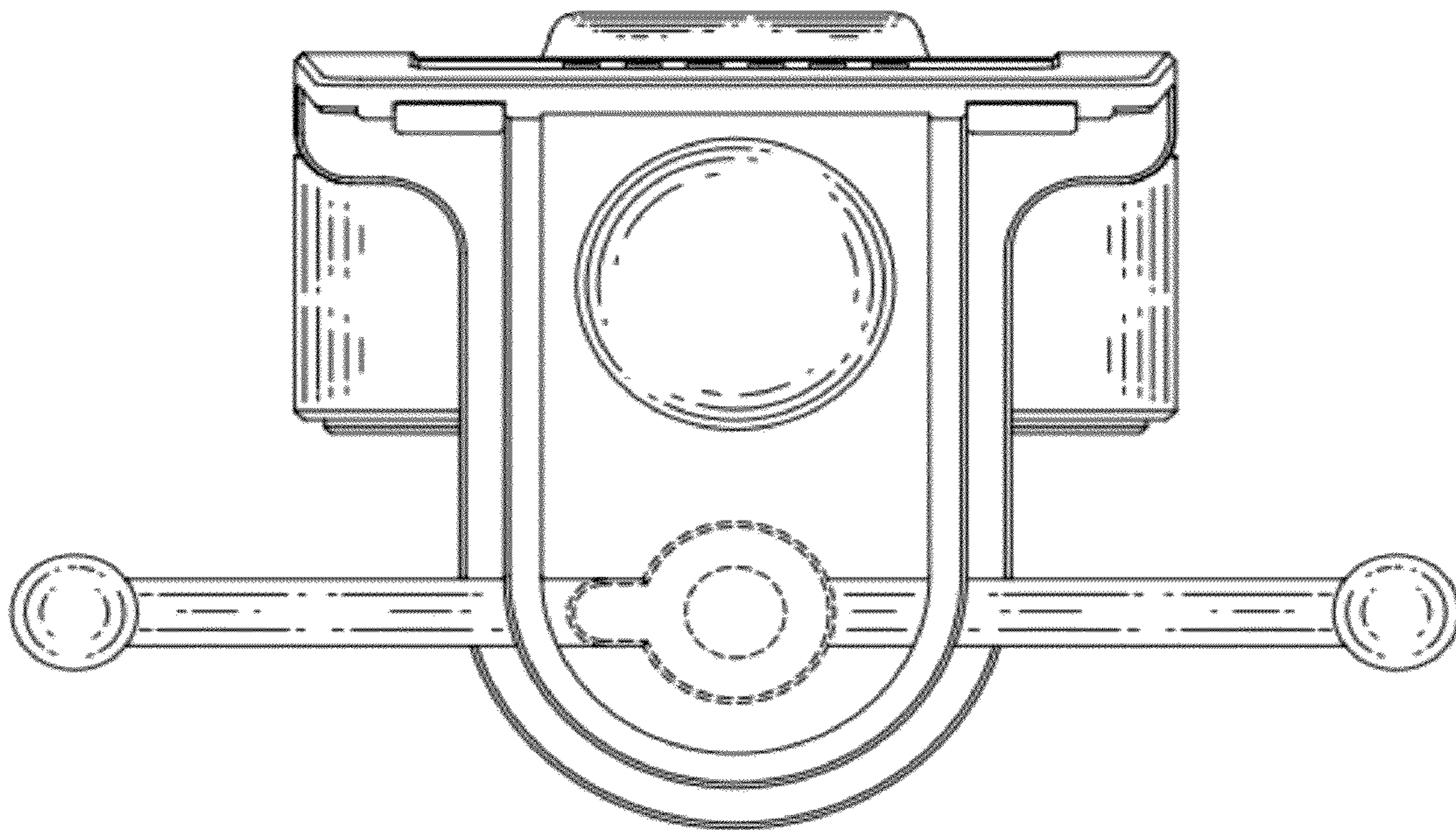


FIG. 7

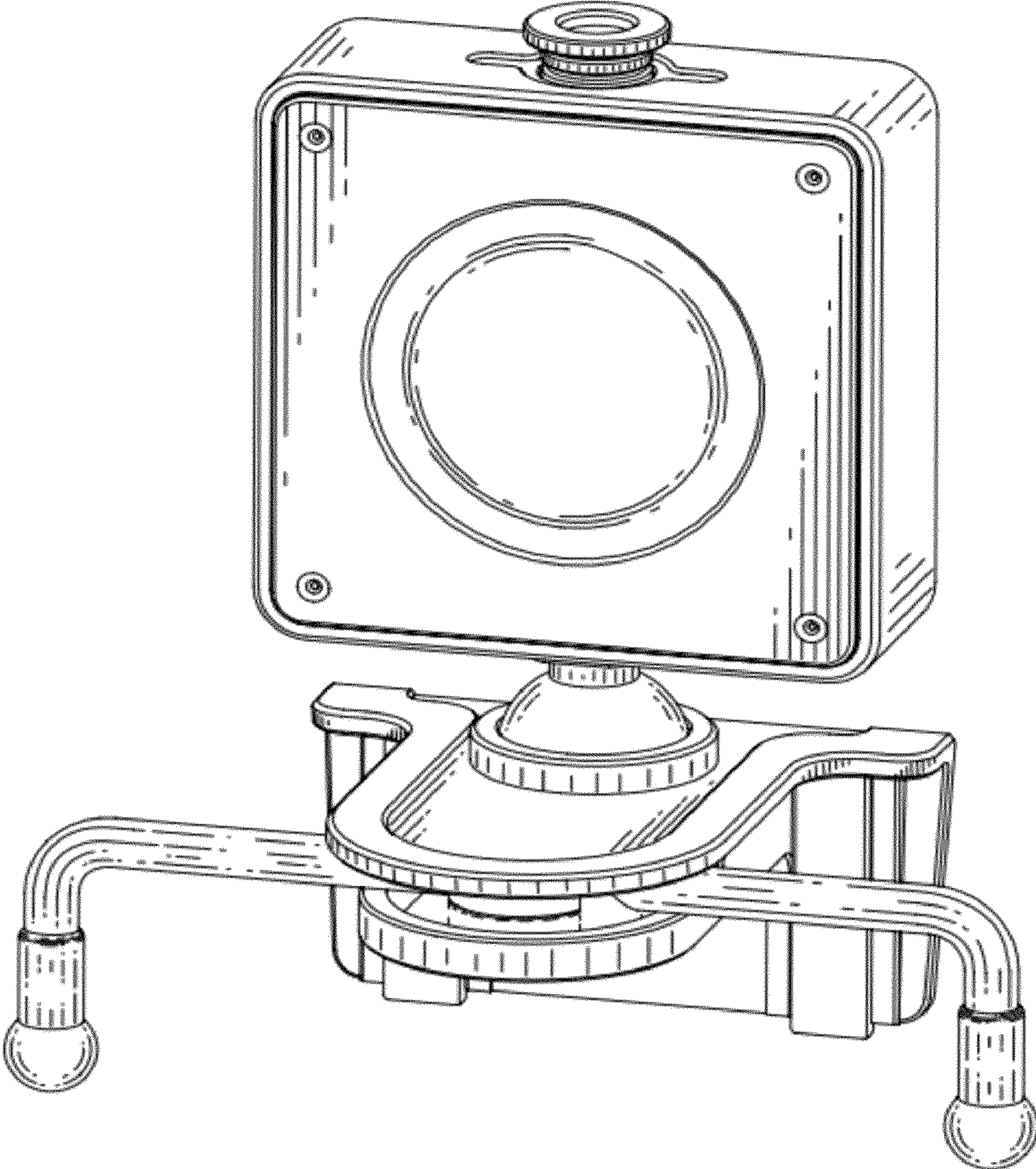


FIG. 8