



US00D659729S

(12) **United States Design Patent**
de Souza Filho et al.

(10) **Patent No.:** **US D659,729 S**

(45) **Date of Patent:** **** May 15, 2012**

(54) **TOOLHOLDER**

(75) Inventors: **Ruy Frota de Souza Filho**, Latrobe, PA (US); **Adam South**, Irwin, PA (US); **Paul Albert Brown**, Hostetter, PA (US)

(73) Assignee: **Kennametal Inc.**, Latrobe, PA (US)

(**) Term: **14 Years**

(21) Appl. No.: **29/364,423**

(22) Filed: **Jun. 23, 2010**

(51) **LOC (9) Cl.** **15-09**

(52) **U.S. Cl.** **D15/140**

(58) **Field of Classification Search** D8/70, D8/71; D15/131, 138, 139, 140; 279/8, 279/126, 144, 900; 407/11, 46, 48, 101, 407/104; 408/6, 9, 16, 57, 124, 238; 409/135, 409/136, 234, 235, 294; 451/294; 483/32
See application file for complete search history.

(56) **References Cited**

U.S. PATENT DOCUMENTS

684,903	A *	10/1901	Barker	279/78
4,178,818	A	12/1979	Yascheritsyn et al.		
4,325,664	A *	4/1982	Mori	409/234
5,063,672	A *	11/1991	Grois et al.	30/272.1
6,146,060	A	11/2000	Rydberg et al.		
6,503,027	B2	1/2003	Men		
6,626,614	B2	9/2003	Nakamura		
7,156,006	B2	1/2007	Hyatt et al.		
D544,507	S *	6/2007	Crouch	D15/140
7,325,471	B2	2/2008	Massa et al.		
7,596,871	B1 *	10/2009	Nilsson	30/329
D635,429	S *	4/2011	Hakki	D8/70

2001/0009636	A1 *	7/2001	Men	407/33
2008/0232909	A1	9/2008	Filho et al.		
2011/0182677	A1 *	7/2011	Frank	407/46
2011/0200402	A1 *	8/2011	Hecht	407/11
2011/0262232	A1 *	10/2011	Chen	407/46

FOREIGN PATENT DOCUMENTS

JP 2002144112 A 5/2002

* cited by examiner

Primary Examiner — Patricia Palasik

(74) *Attorney, Agent, or Firm* — Larry R. Meenan

(57) **CLAIM**

The ornamental design for a toolholder, as shown and described.

DESCRIPTION

FIG. 1 is a right side perspective view of the toolholder showing our new design. The left side perspective is a mirror image of the right side perspective;

FIG. 2 is an enlargement of a portion of the toolholder illustrated in FIG. 1;

FIG. 3 is a top view of the toolholder illustrated in FIG. 1;

FIG. 4 is a bottom view thereof;

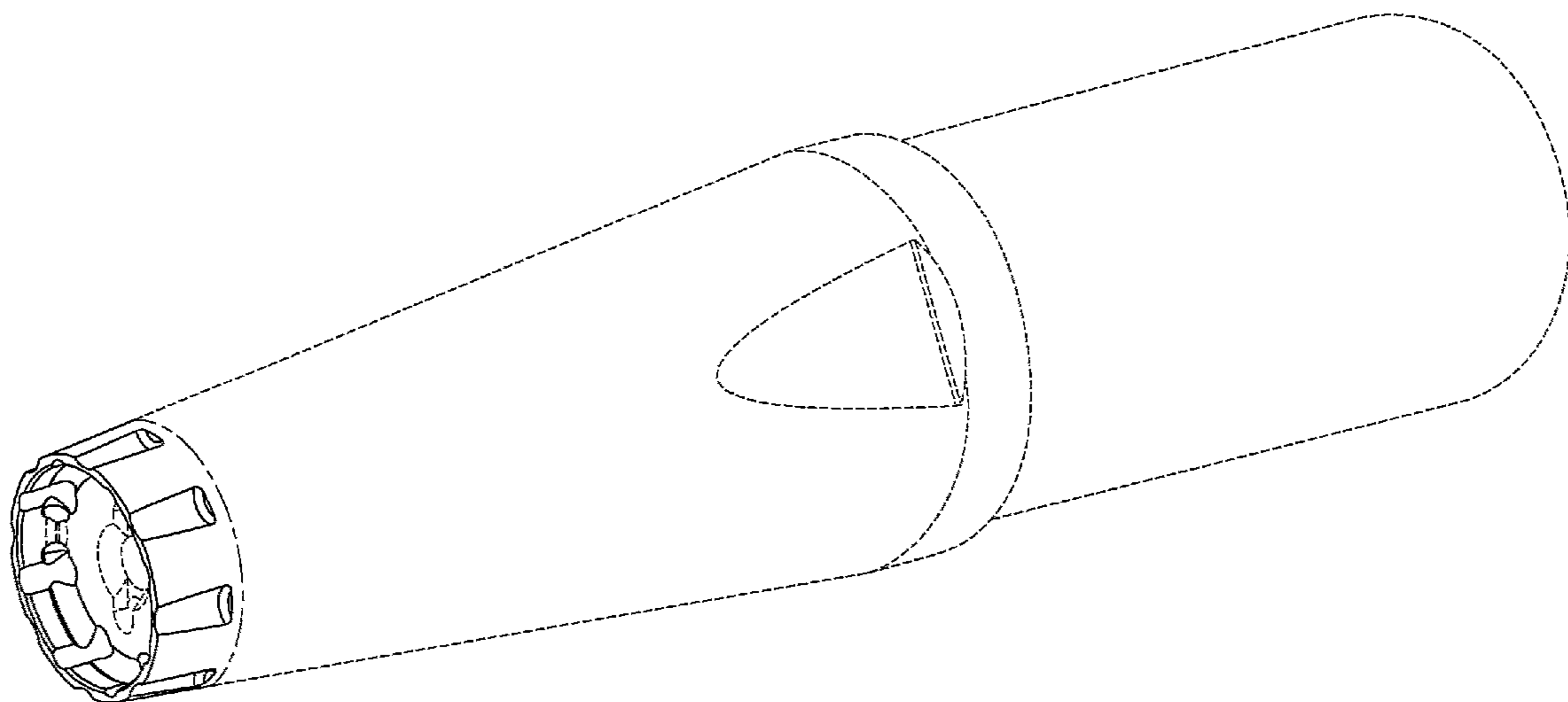
FIG. 5 is a side view of the toolholder along lines "5-5" in FIG. 3; and,

FIG. 6 is a side view of the toolholder along lines "6-6" in FIG. 3.

The phantom line showing, indicated by continuous equally spaced dashes, is environmental only and forms no part of the claimed design.

The broken line showing, indicated by alternating long and short dashes, is used for defining a boundary of the claimed part.

1 Claim, 4 Drawing Sheets



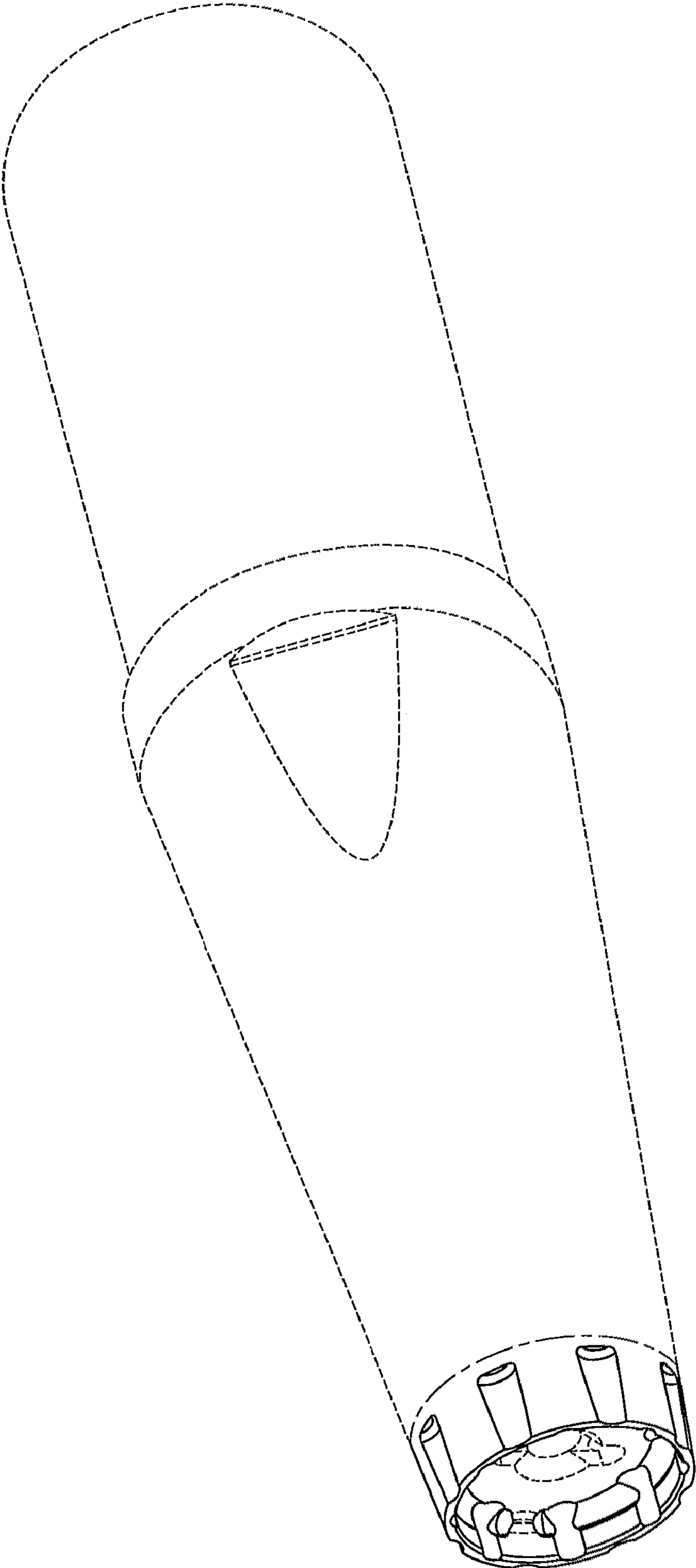


FIG. 1

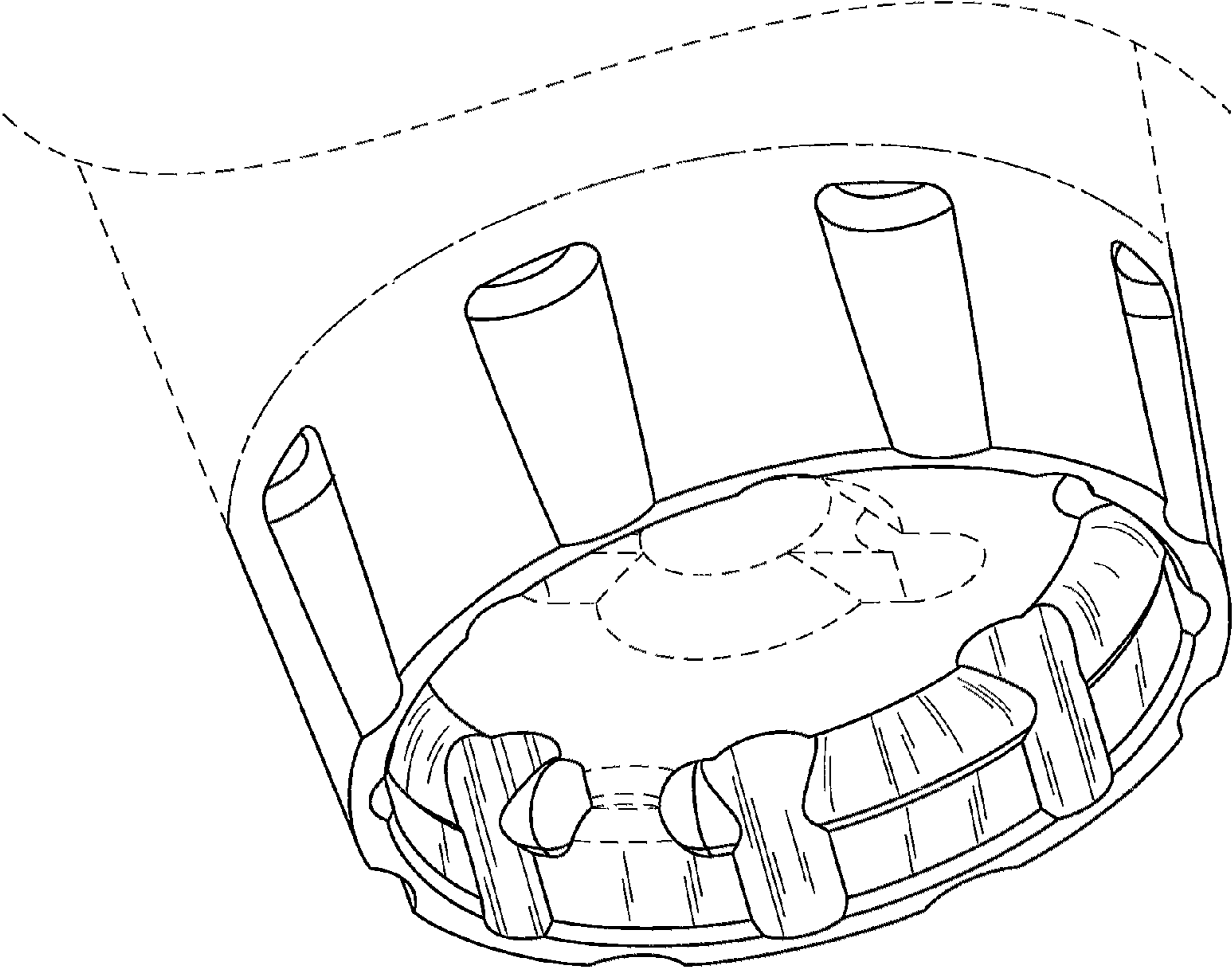


FIG. 2

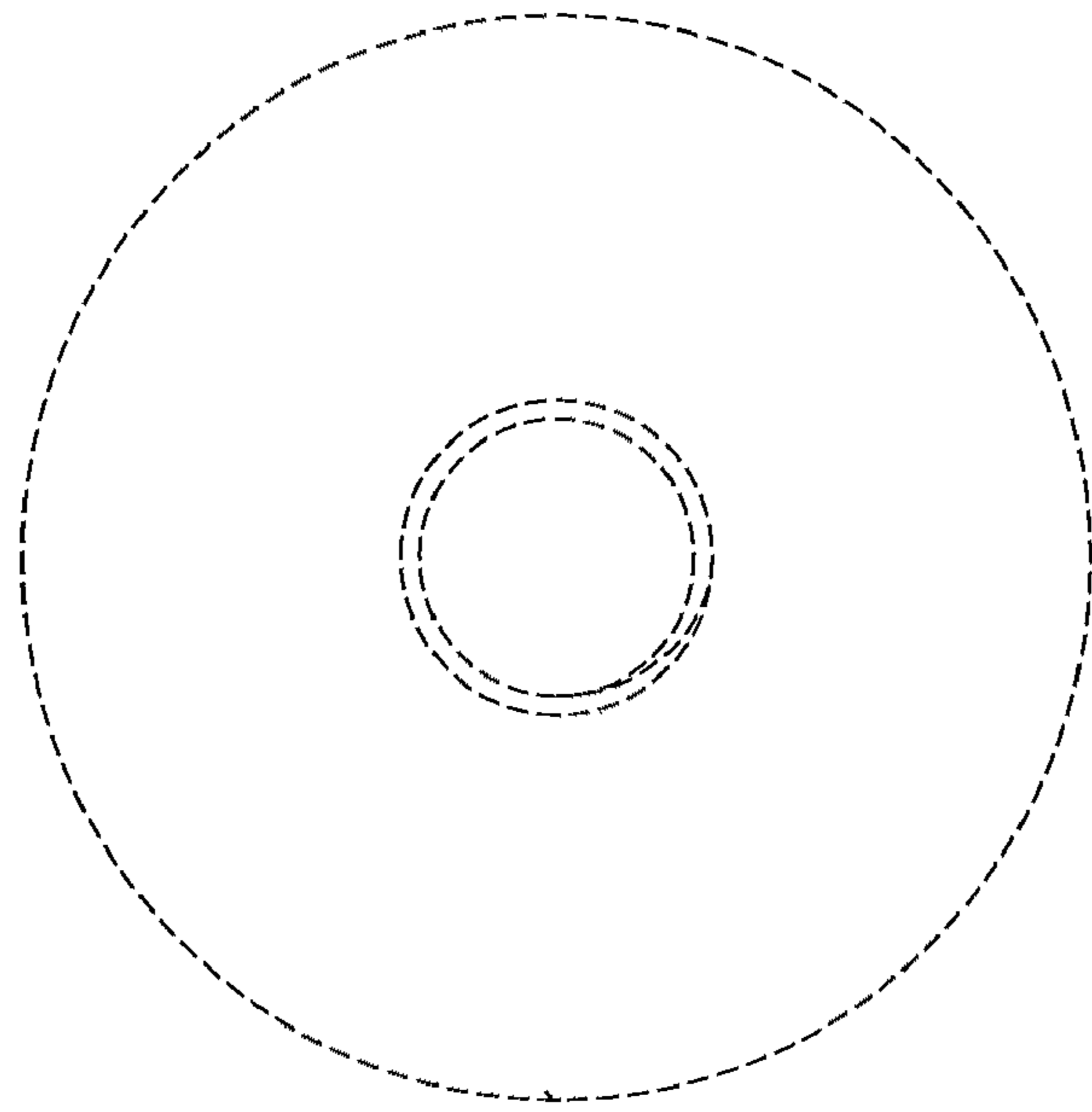


FIG. 4

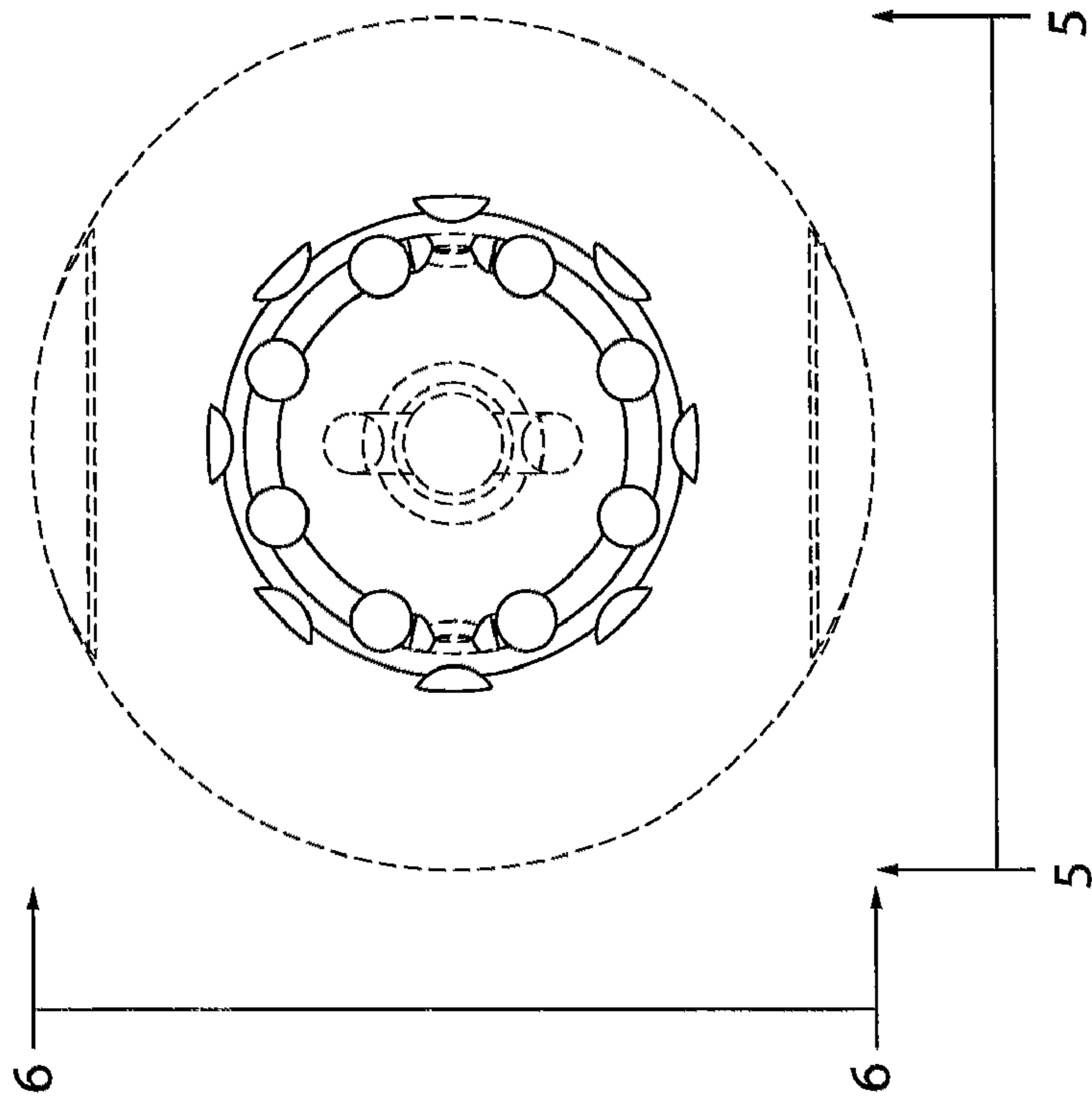


FIG. 3

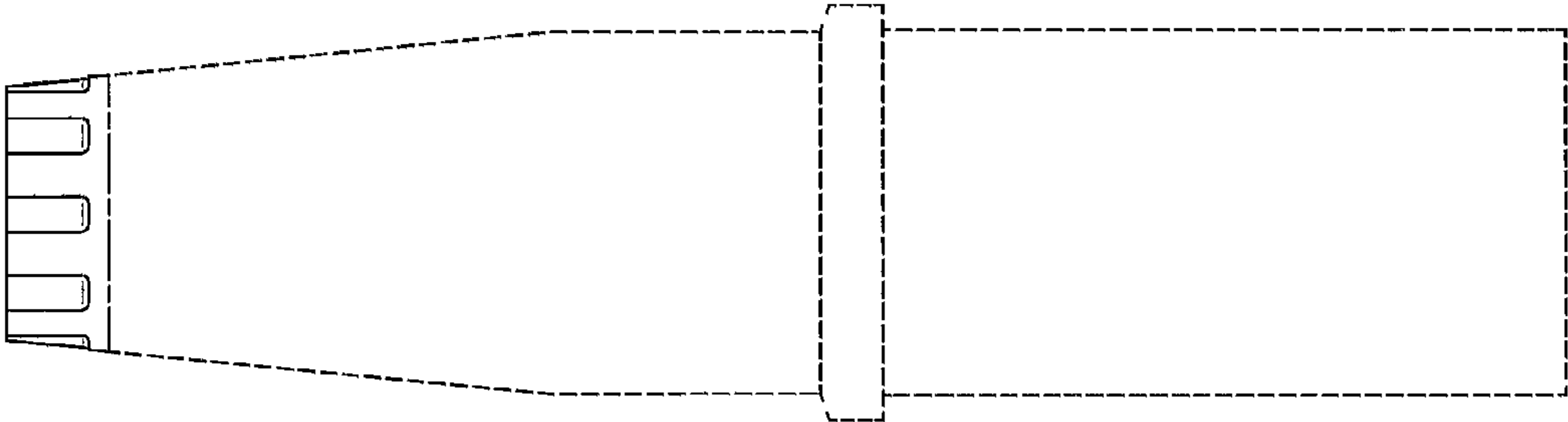


FIG. 6

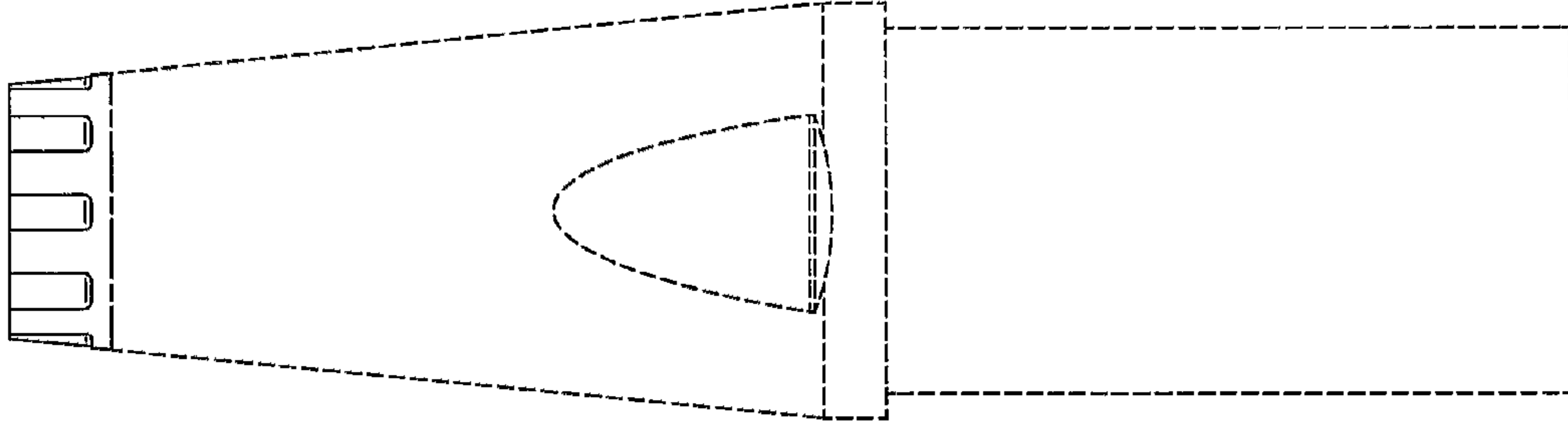


FIG. 5