



US00D659723S

(12) **United States Design Patent**
Hoover

(10) **Patent No.:** **US D659,723 S**

(45) **Date of Patent:** **** May 15, 2012**

(54) **TIGHTENING SIDE PLATE FOR TEXTILE MACHINE**

(75) Inventor: **Donald Lynn Hoover**, Clover, SC (US)

(73) Assignee: **American Linc, LLC**, Gastonia, NC (US)

(**) Term: **14 Years**

(21) Appl. No.: **29/314,150**

(22) Filed: **Mar. 6, 2009**

(51) **LOC (9) Cl.** **15-07**

(52) **U.S. Cl.** **D15/78**

(58) **Field of Classification Search** D15/78,
D15/66-77, 10, 122, 144-144.2, 145-146,
D15/148-149, 199; 425/66, 445, 472; 28/263,
28/269, 147; 26/18.6; D8/14, 16, 19, 98,
D8/40, 41, 43; D32/40, 46

See application file for complete search history.

(56) **References Cited**

U.S. PATENT DOCUMENTS

| | | | | |
|----------------|--------|-------------|-------|----------|
| D265,884 S * | 8/1982 | Mabry | | D8/354 |
| 6,213,373 B1 * | 4/2001 | Wakai | | 227/147 |
| D441,653 S * | 5/2001 | LeRoux | | D9/434 |
| 6,725,884 B2 * | 4/2004 | Vermeulen | | 139/102 |
| 7,507,077 B1 * | 3/2009 | Haag et al. | | 425/28.1 |

| | | | | |
|--------------|---------|------------------|-------|--------|
| D606,719 S * | 12/2009 | Robertson et al. | | D32/50 |
| D613,919 S * | 4/2010 | Robertson et al. | | D32/40 |
| D643,991 S * | 8/2011 | Miller et al. | | D34/28 |

* cited by examiner

Primary Examiner — Mitchell Siegel

(74) *Attorney, Agent, or Firm* — Schwartz Law Firm, P.C.

(57) **CLAIM**

I claim the ornamental design for an tightening side plate for textile machine, as shown and described.

DESCRIPTION

FIG. 1 is a front perspective view of a tightening side plate for textile machine according to the present design; the phantom lines shown in FIGS. 1-8 indicating features which form no part of the claimed design;

FIG. 2 is a back perspective view of the tightening side plate for textile machine;

FIG. 3 is a front elevation of the tightening side plate for textile machine;

FIG. 4 is a back elevation of the tightening side plate for textile machine;

FIG. 5 is a top view of the tightening side plate for textile machine;

FIG. 6 is a right side view of the tightening side plate for textile machine;

FIG. 7 is a left side view of the tightening side plate for textile machine; and,

FIG. 8 is a bottom view of the tightening side plate for textile machine.

1 Claim, 3 Drawing Sheets

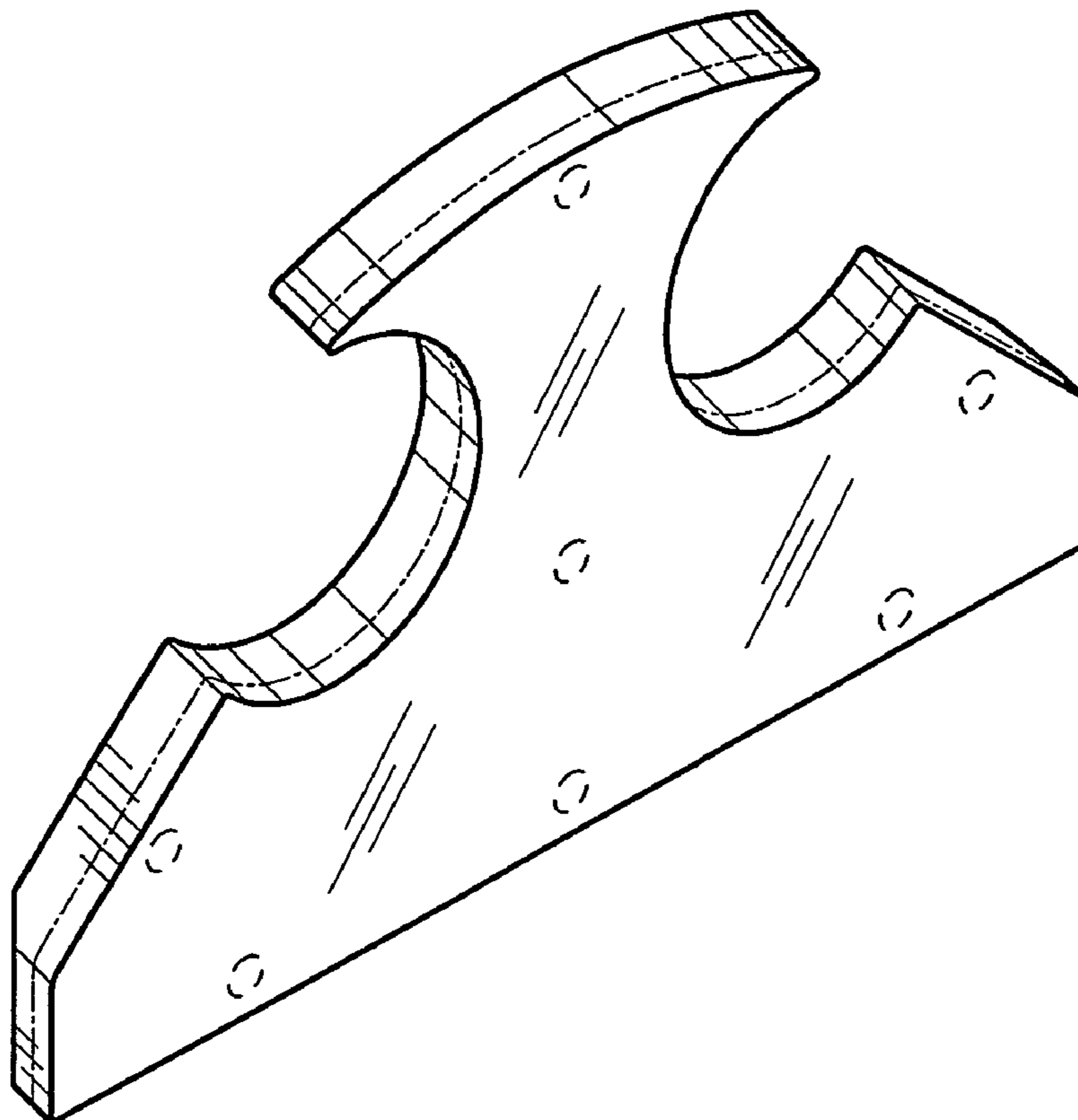


Fig. 1

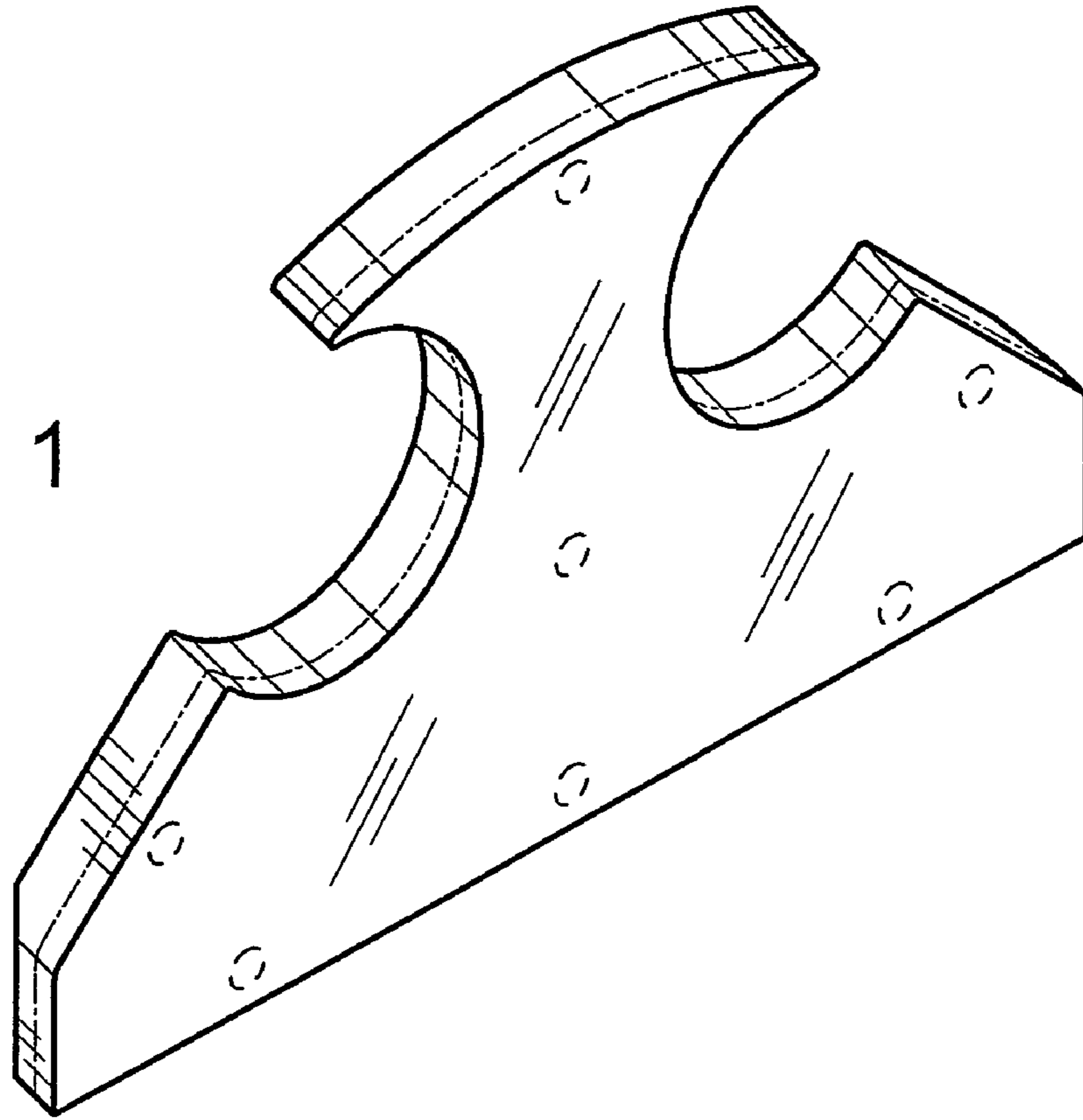
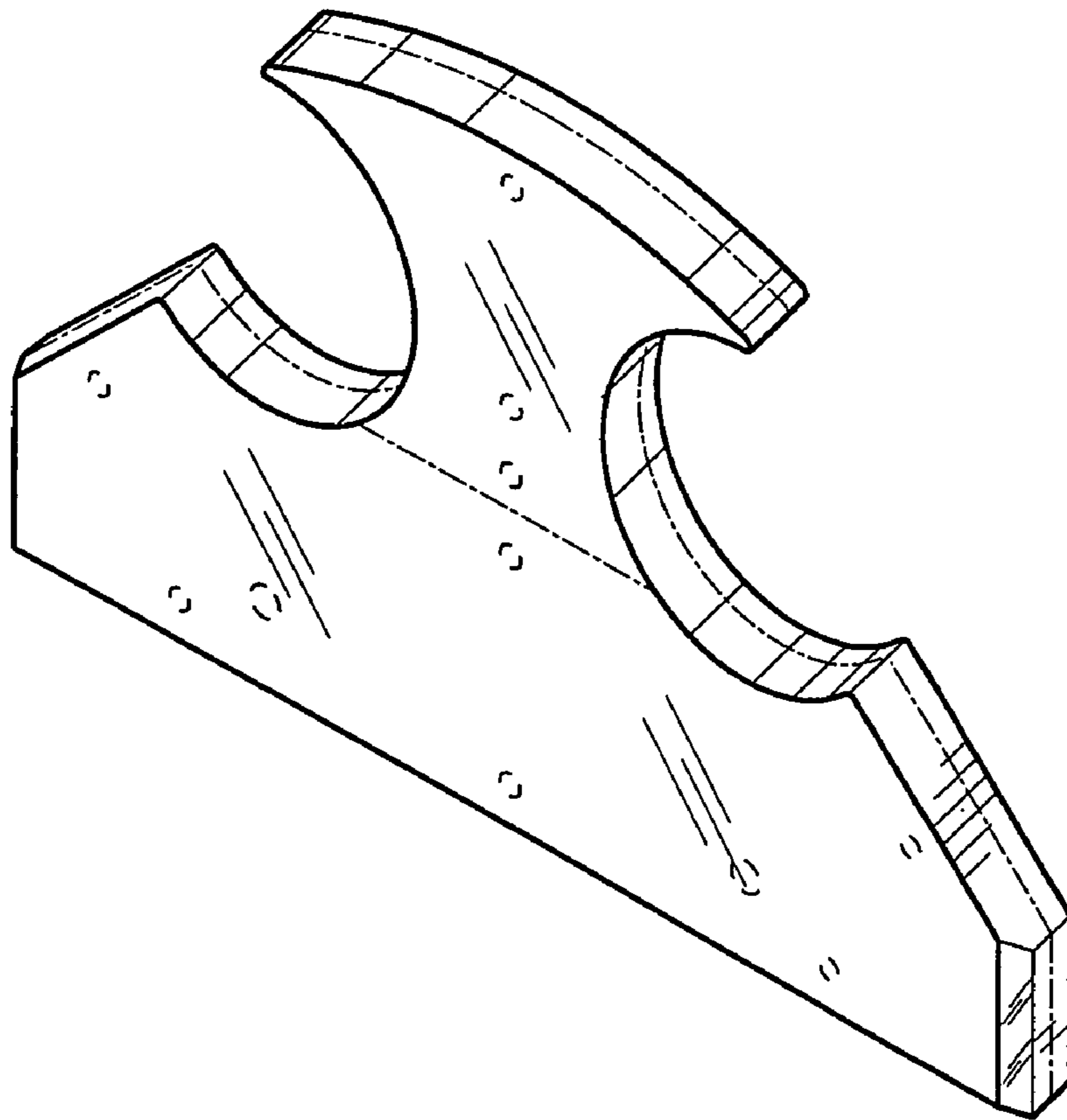


Fig. 2



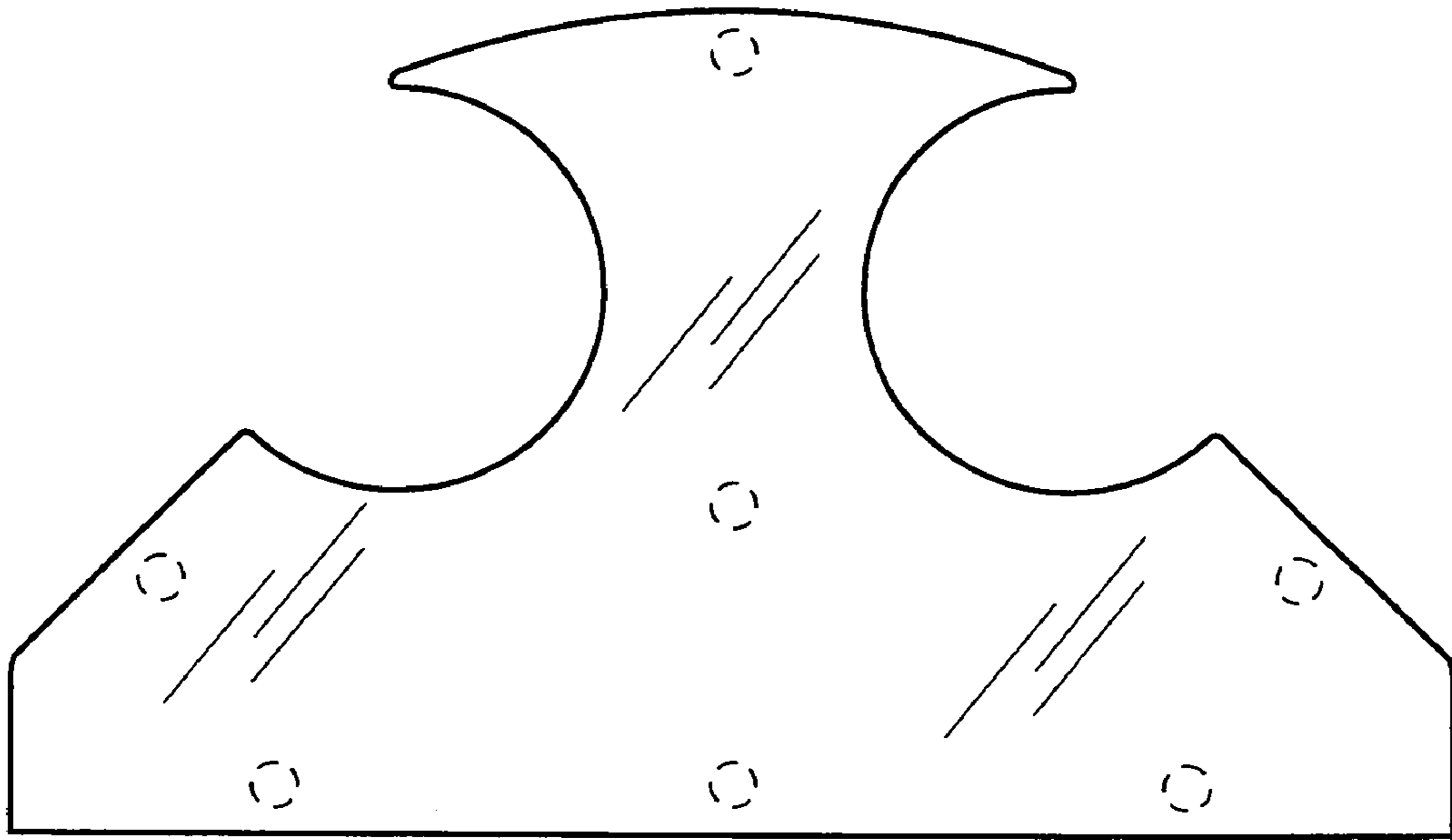


Fig. 3

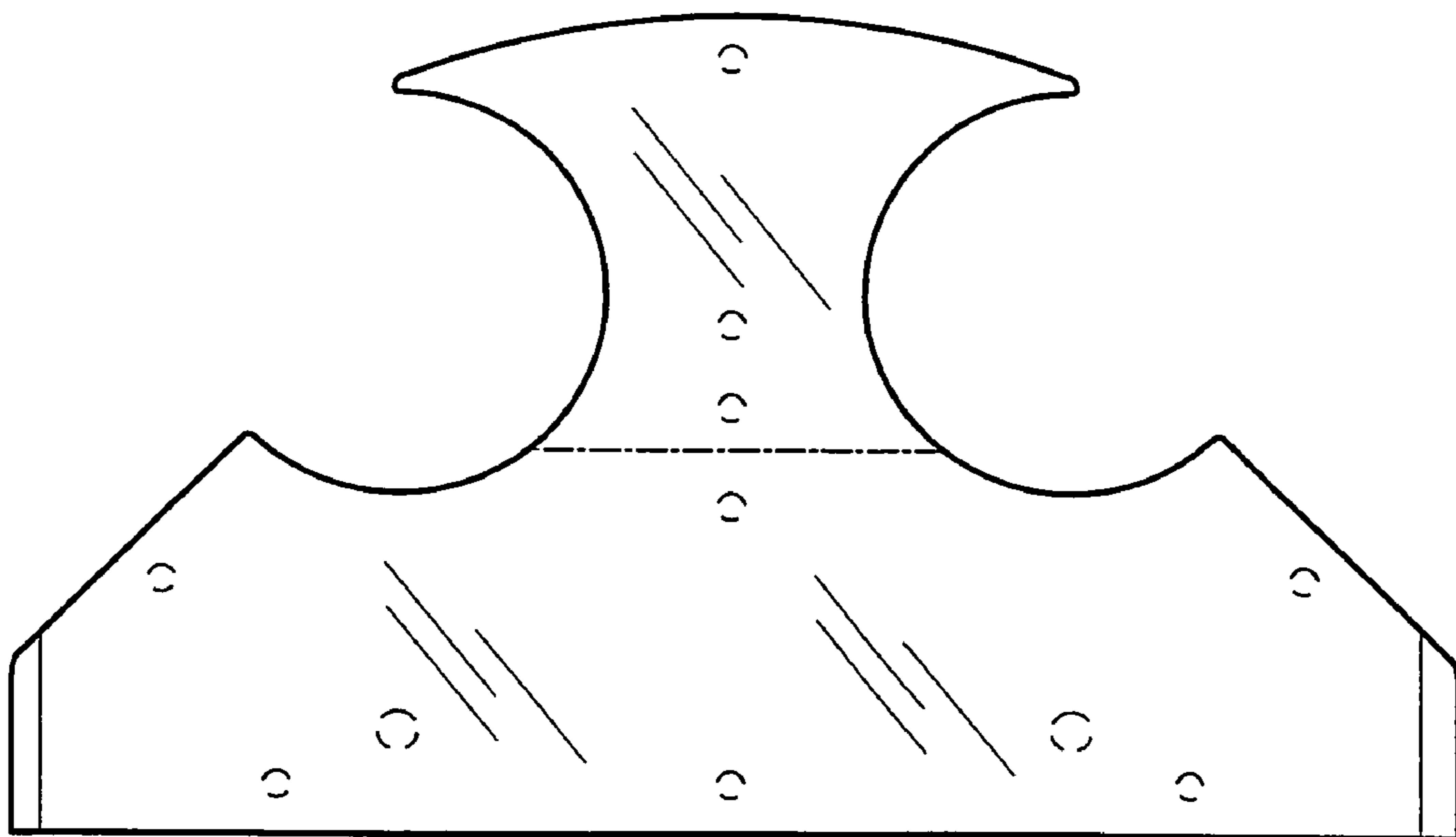


Fig. 4

Fig. 5

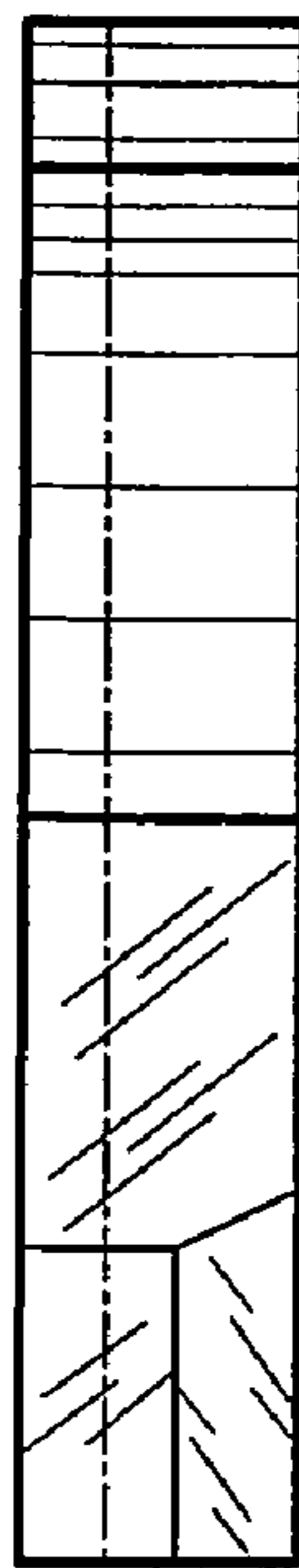
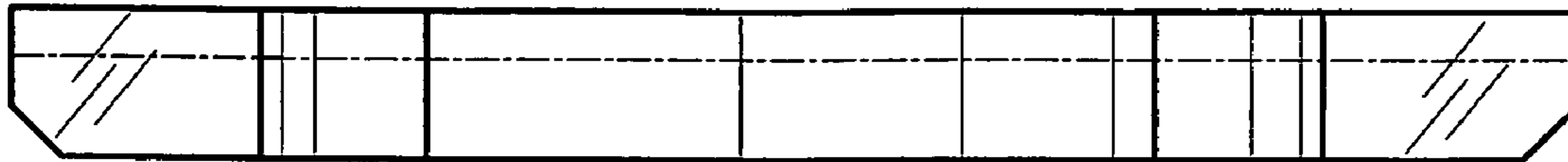


Fig. 6

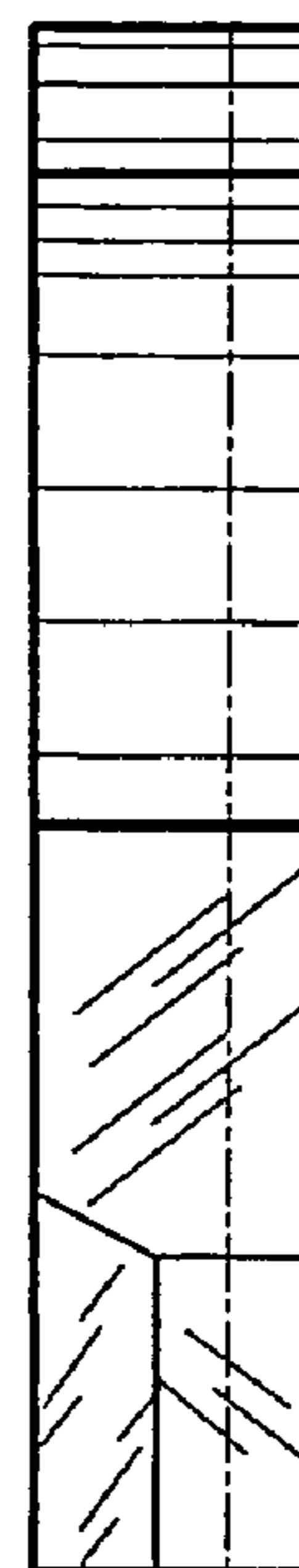


Fig. 7

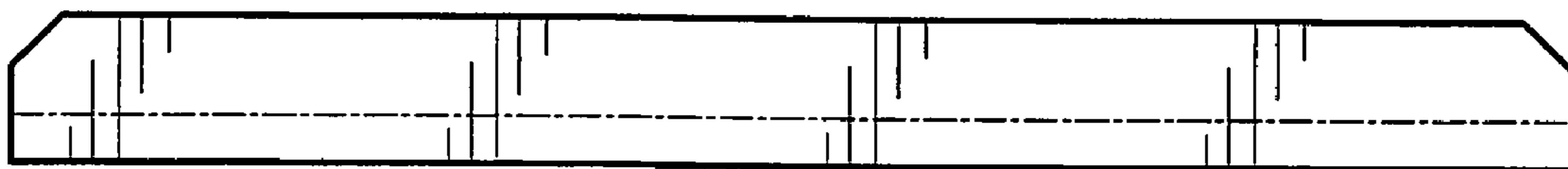


Fig. 8