



US00D659722S

(12) **United States Design Patent**  
**Blind et al.**

(10) **Patent No.:** **US D659,722 S**

(45) **Date of Patent:** **\*\* May 15, 2012**

(54) **OPERATOR STATION FOR A HARVESTER**

(75) Inventors: **Alain Blind**, Birkenau (DE); **Matthias Schönherr**, Stuttgart (DE)

(73) Assignee: **Deere & Company**, Moline, IL (US)

(\*\*) Term: **14 Years**

(21) Appl. No.: **29/368,919**

(22) Filed: **Aug. 31, 2010**

(30) **Foreign Application Priority Data**

Mar. 1, 2010 (EM) ..... 001675802

(51) **LOC (9) Cl.** ..... **15-03**

(52) **U.S. Cl.** ..... **D15/30**

(58) **Field of Classification Search** ..... D15/10,  
D15/22-26, 28, 30, 31; 180/89.11, 89.12,  
180/89.13, 89.19, 900; 296/190.01, 190.08,  
296/210, 190, 202

See application file for complete search history.

(56) **References Cited**

**U.S. PATENT DOCUMENTS**

D208,402 S \* 8/1967 Hofmann ..... D15/30  
D229,046 S \* 11/1973 Purcell et al. .... D15/30  
3,802,530 A \* 4/1974 Purcell et al. .... 180/89.12

RE29,123 E \* 1/1977 Malm et al. .... 296/35.1  
D249,522 S \* 9/1978 Elfes et al. .... D15/30  
D275,199 S \* 8/1984 Schmidt et al. .... D15/30  
D297,329 S \* 8/1988 Monehaie et al. .... D15/30  
5,413,188 A \* 5/1995 Ui ..... 180/89.12  
D384,358 S \* 9/1997 Smith ..... D15/30  
D528,134 S \* 9/2006 Vandendriessche et al. .. D15/30  
D541,825 S \* 5/2007 Pettersson ..... D15/30  
7,347,488 B2 \* 3/2008 Hayes et al. .... 296/190.08

\* cited by examiner

*Primary Examiner* — Mark Goodwin

(57) **CLAIM**

The ornamental design for an operator station for a harvester, as shown and described.

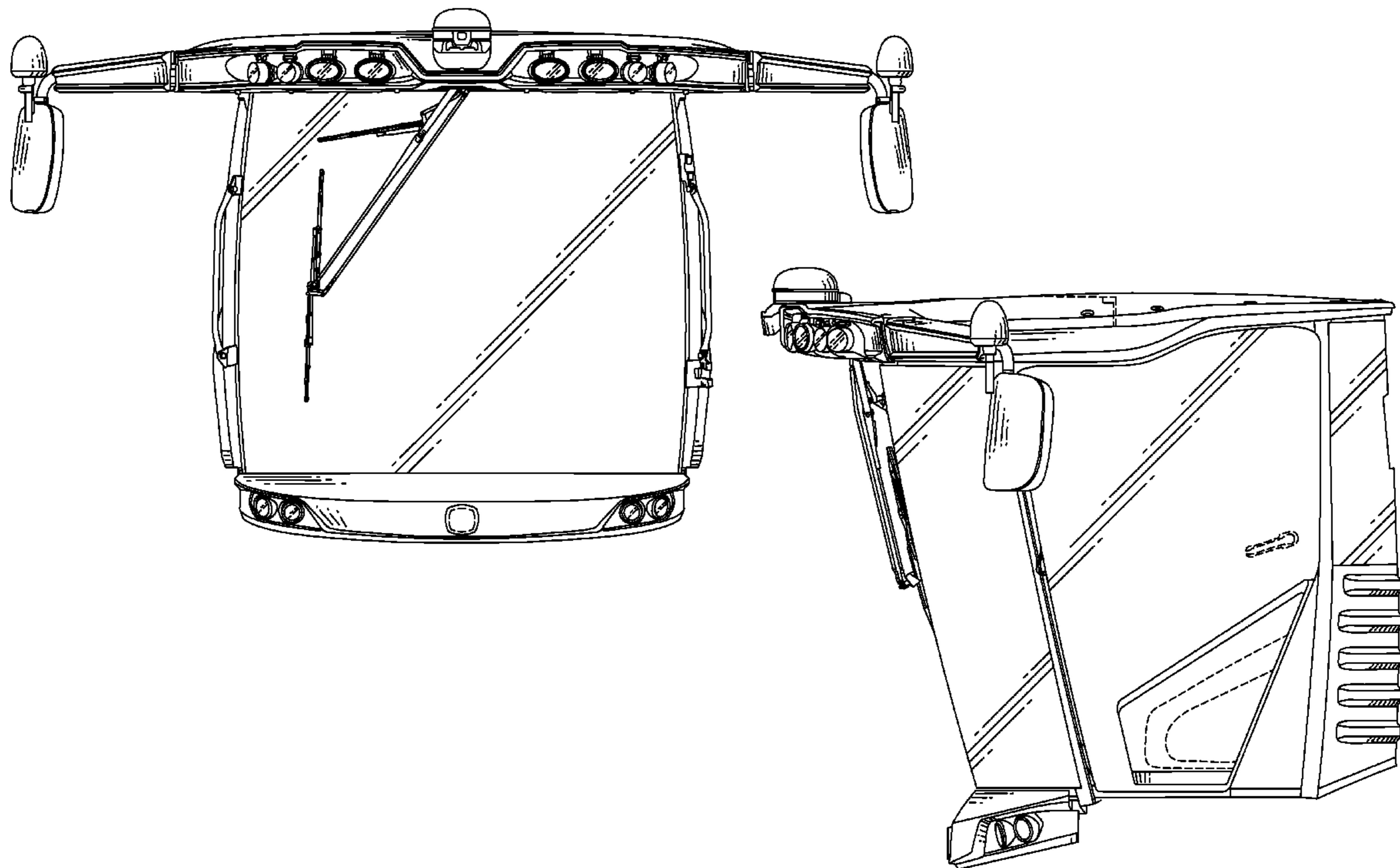
**DESCRIPTION**

FIG. 1 is a front elevational view of an operator station for a harvester showing our new design; FIG. 2 is a side elevational view thereof; and, FIG. 3 is a top plan view thereof.

The opposite side view, rear view, and bottom view form no part of the claimed design.

The broken line showing of elements on the top view, the logo, door handle, and door panel is included for the purpose of illustrating portions of the operator station for a harvester and forms no part of the claimed design.

**1 Claim, 3 Drawing Sheets**



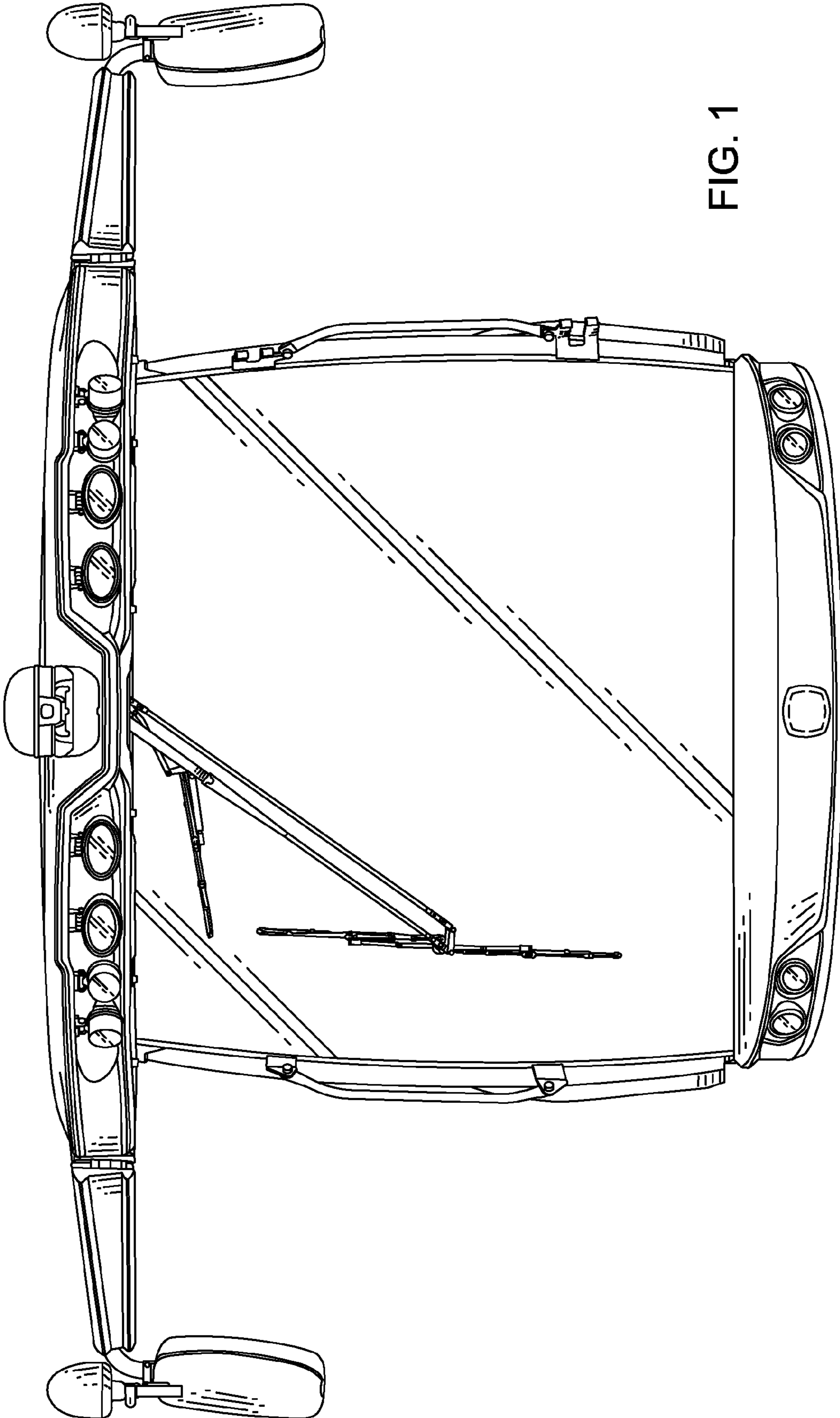


FIG. 1

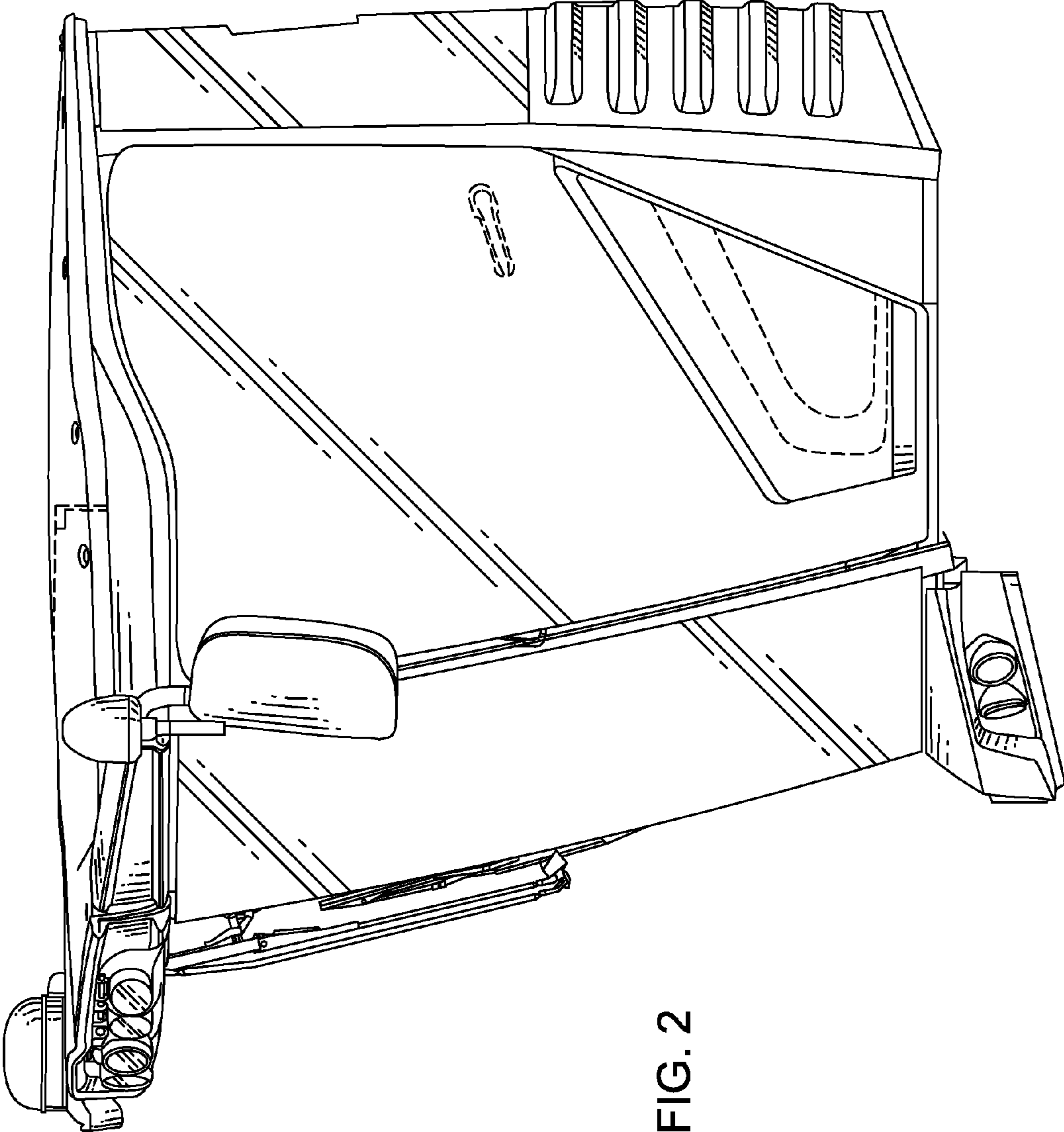


FIG. 2

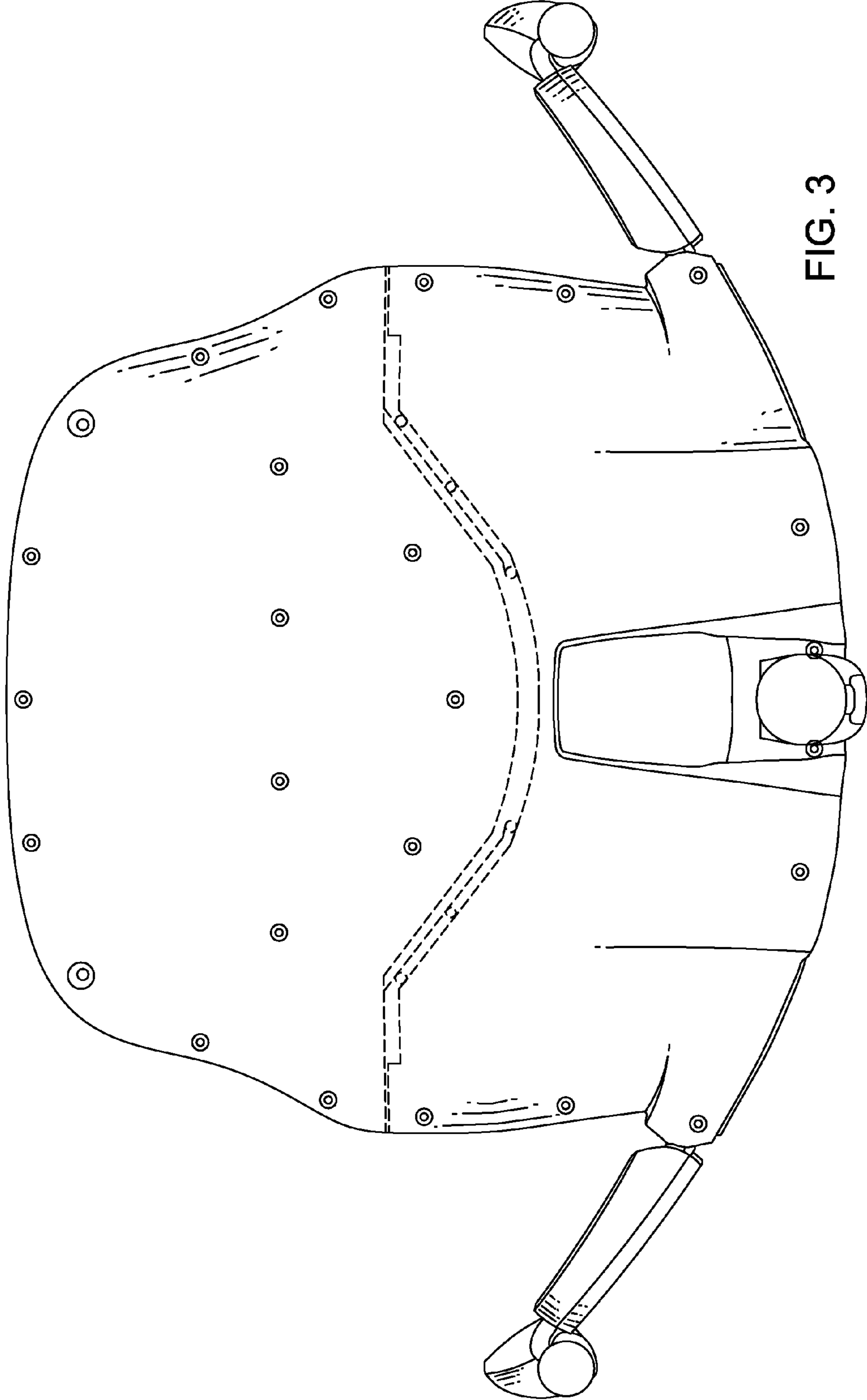


FIG. 3