



US00D659721S

(12) **United States Design Patent**  
**Lomagno et al.**

(10) **Patent No.:** **US D659,721 S**

(45) **Date of Patent:** **\*\* May 15, 2012**

(54) **COMPOST AERATOR**

(76) Inventors: **Sylvia Lomagno**, West Hurley, NY  
(US); **Gabriel Eric Lomagno**, West  
Hurley, NY (US)

(\*\*) **Term:** **14 Years**

(21) **Appl. No.:** **29/405,520**

(22) **Filed:** **Nov. 3, 2011**

(51) **LOC (9) Cl.** ..... **15-03**

(52) **U.S. Cl.** ..... **D15/28; D15/29**

(58) **Field of Classification Search** ..... D15/11,  
D15/19, 21, 28, 29; 56/364, 400, 121.4,  
56/17.4, 16.4, 202; 414/724, 912; 172/27,  
172/42

See application file for complete search history.

(56) **References Cited**

**U.S. PATENT DOCUMENTS**

D19,713 S *	3/1890	Allen	.....	D15/29
D27,430 S *	7/1897	Beall	.....	D15/29
D30,200 S *	2/1899	Wall et al.	.....	D15/29
D30,282 S *	2/1899	Stark	.....	D15/11
D34,869 S *	7/1901	Hartig	.....	D15/28
D35,191 S *	10/1901	Fagan	.....	D15/28
2,797,629 A *	7/1957	Kelley	.....	172/488
D264,213 S *	5/1982	Hedblom	.....	D15/28
D268,497 S *	4/1983	Adair	.....	D15/11
D281,325 S *	11/1985	Nordland	.....	D15/11
D309,242 S *	7/1990	Laslo	.....	D8/6
D384,680 S *	10/1997	Franet	.....	D15/28
D398,015 S *	9/1998	Franet	.....	D15/28

D398,203 S *	9/1998	Naccarato et al.	.....	D8/13
D431,254 S *	9/2000	Koberlein	.....	D15/27
D456,424 S *	4/2002	Rowse et al.	.....	D15/29
6,453,654 B1 *	9/2002	Kraus et al.	.....	56/16.4 R
D493,180 S *	7/2004	Crawford	.....	D15/28
D494,194 S *	8/2004	Fitzkee et al.	.....	D15/28
D505,431 S *	5/2005	Sund	.....	D15/29
D538,996 S *	3/2007	Lonergan	.....	D34/10
D549,918 S *	8/2007	Lonergan	.....	D34/10
D550,254 S *	9/2007	Adcock	.....	D15/27
D550,422 S *	9/2007	Lonergan	.....	D34/10

\* cited by examiner

*Primary Examiner* — Mark Goodwin

(74) *Attorney, Agent, or Firm* — Lackenberg Siegel, LLP;  
Myron Greenspan

(57) **CLAIM**

The ornamental design for a compost aerator, as shown and described.

**DESCRIPTION**

FIG. 1 is a front elevational view of the compost aerator showing our new design, with the broken lines shown throughout the disclosure forming no part of the claimed design;

FIG. 2 is a rear elevational view thereof;

FIG. 3 is a right side elevational view thereof;

FIG. 4 is a left side elevational view thereof;

FIG. 5 is a top plan view thereof; and,

FIG. 6 is a bottom plan view thereof.

**1 Claim, 6 Drawing Sheets**

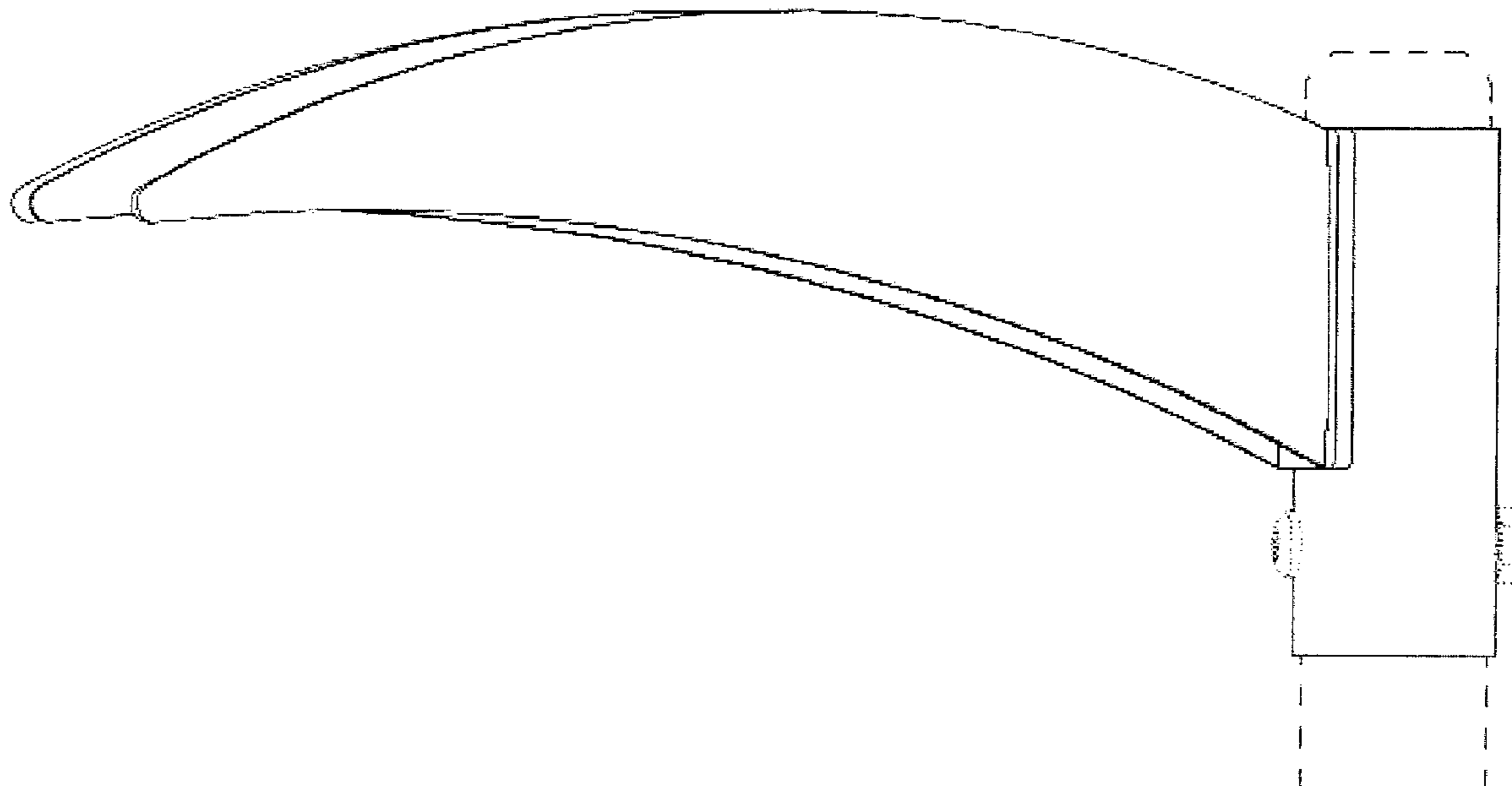
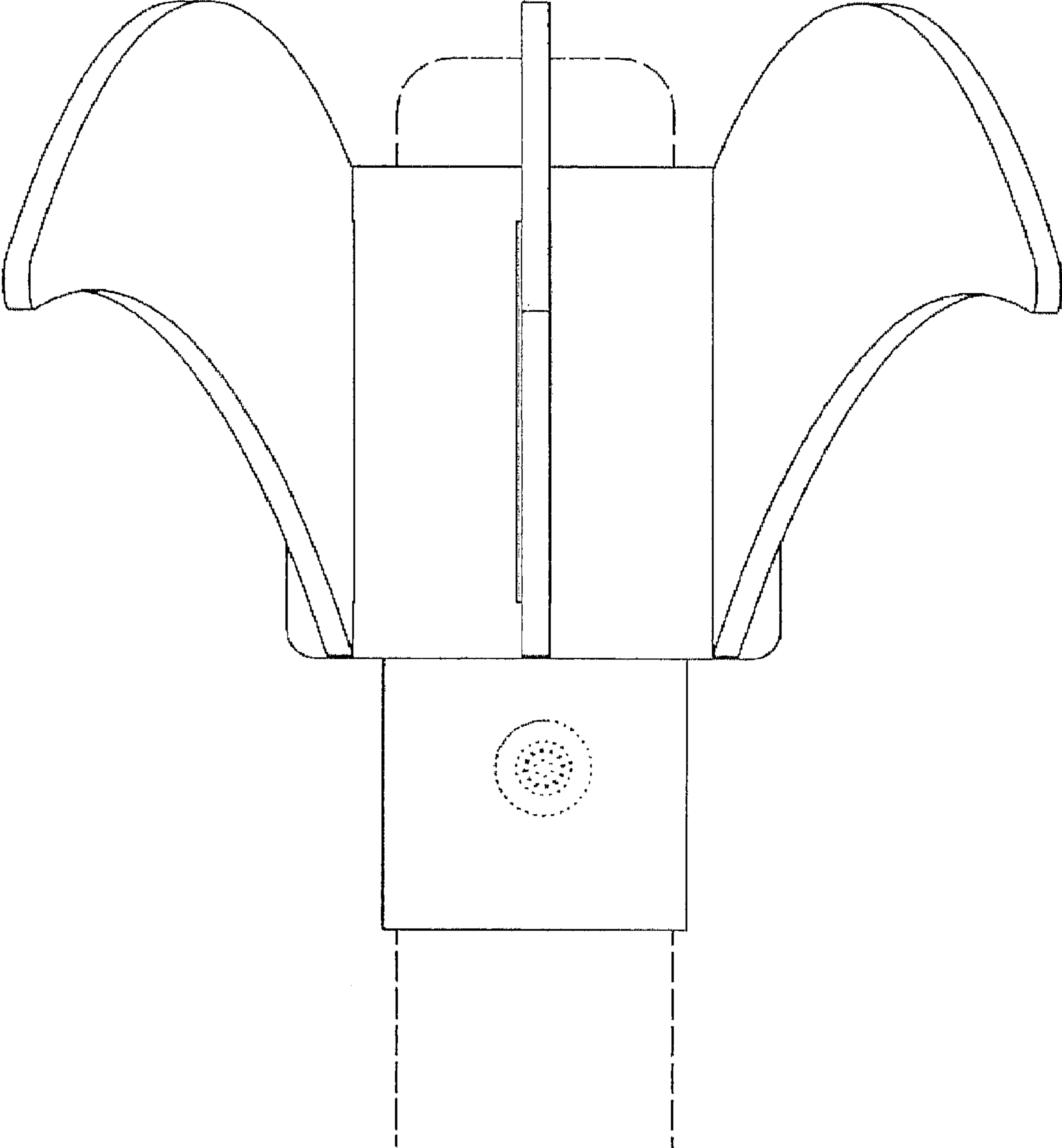


FIG. 1



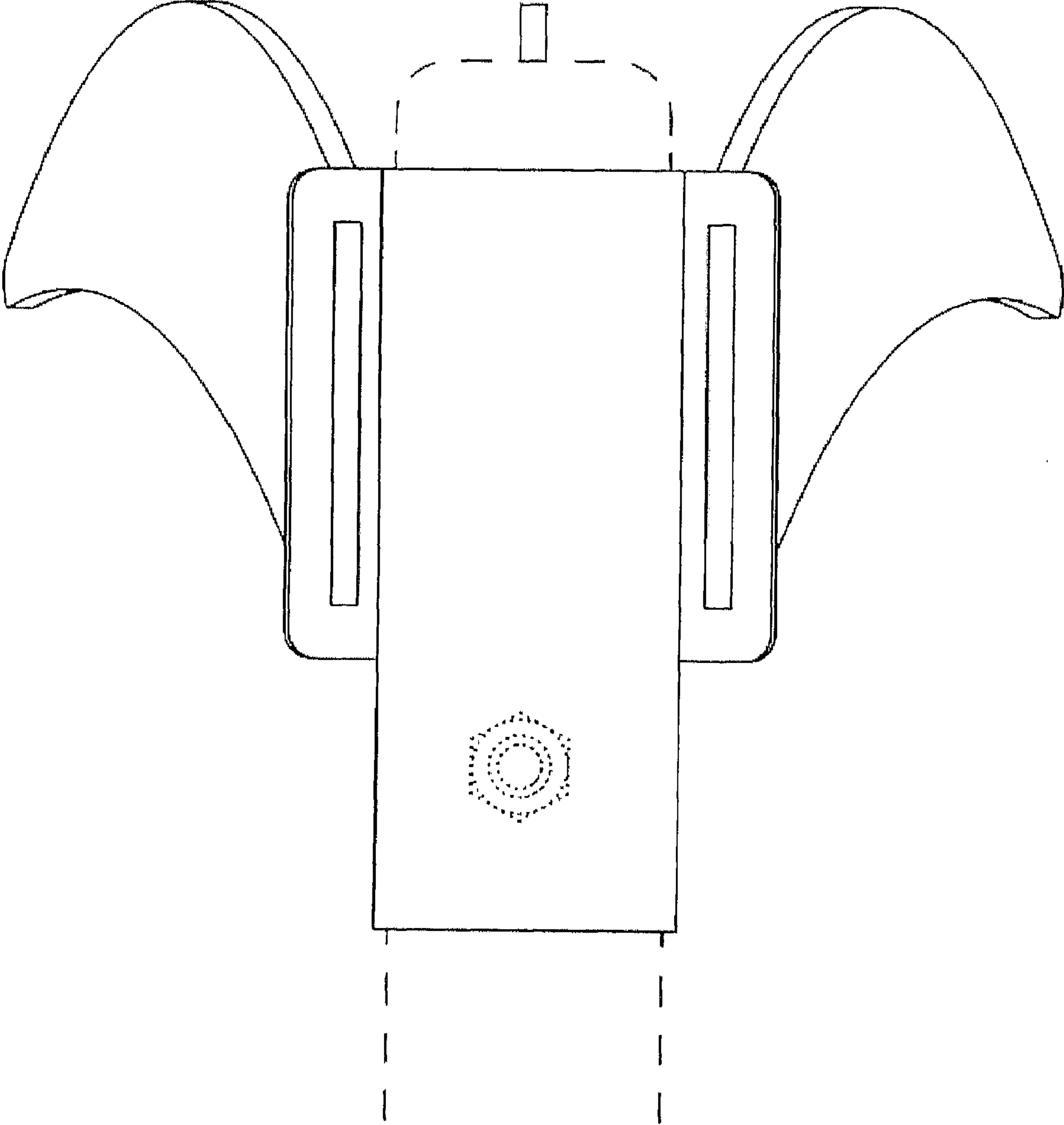


FIG. 2

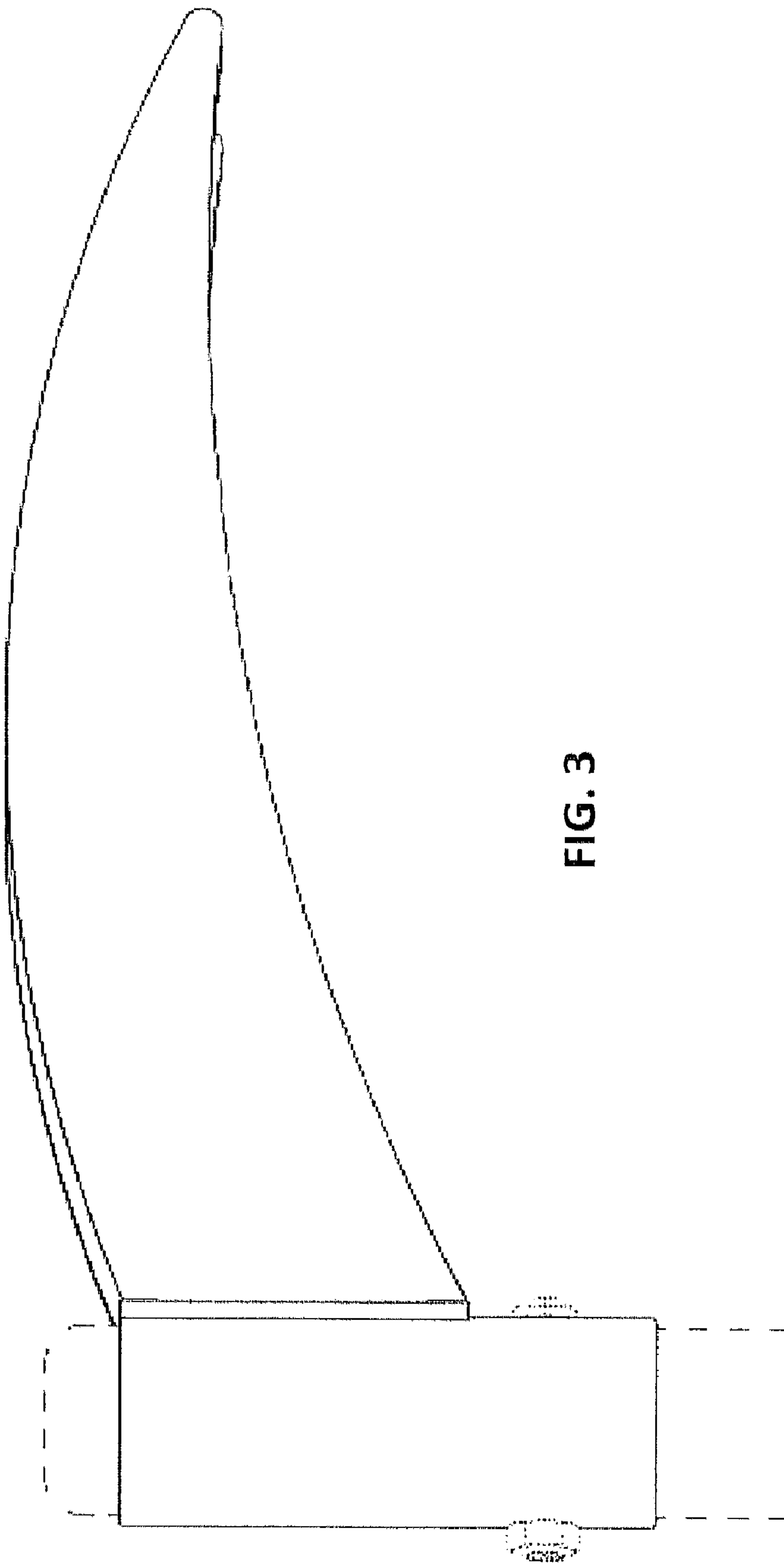


FIG. 3

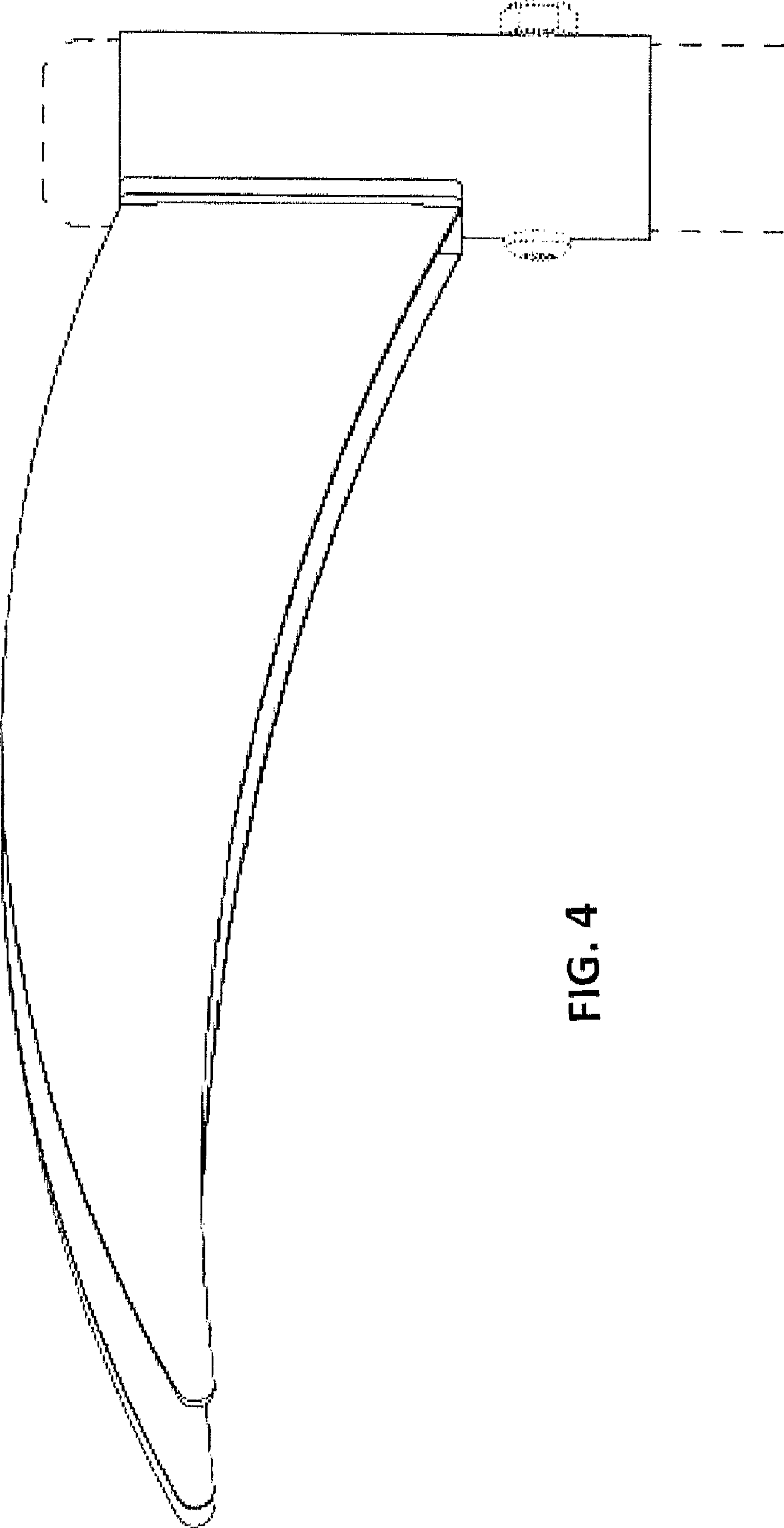


FIG. 4

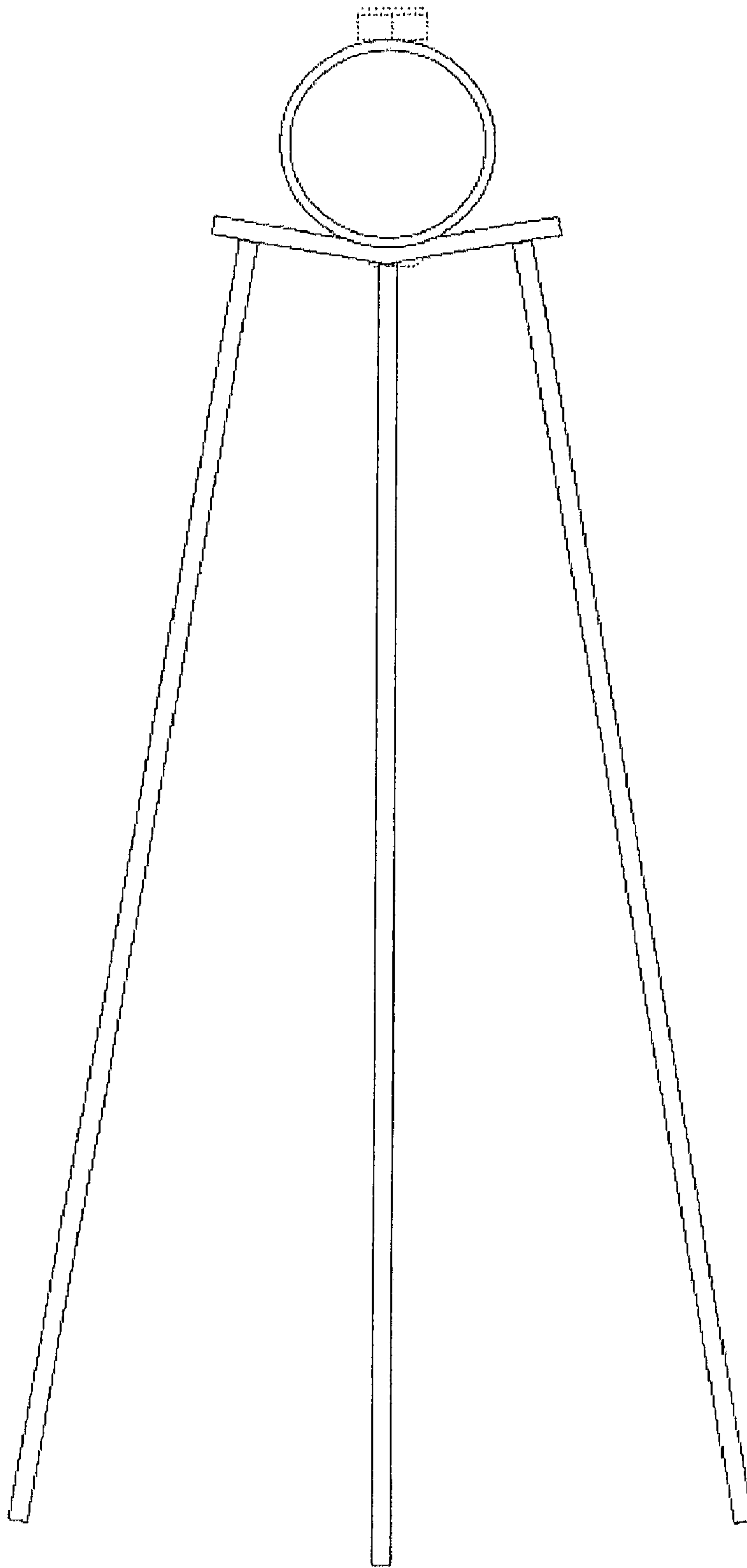


FIG. 5

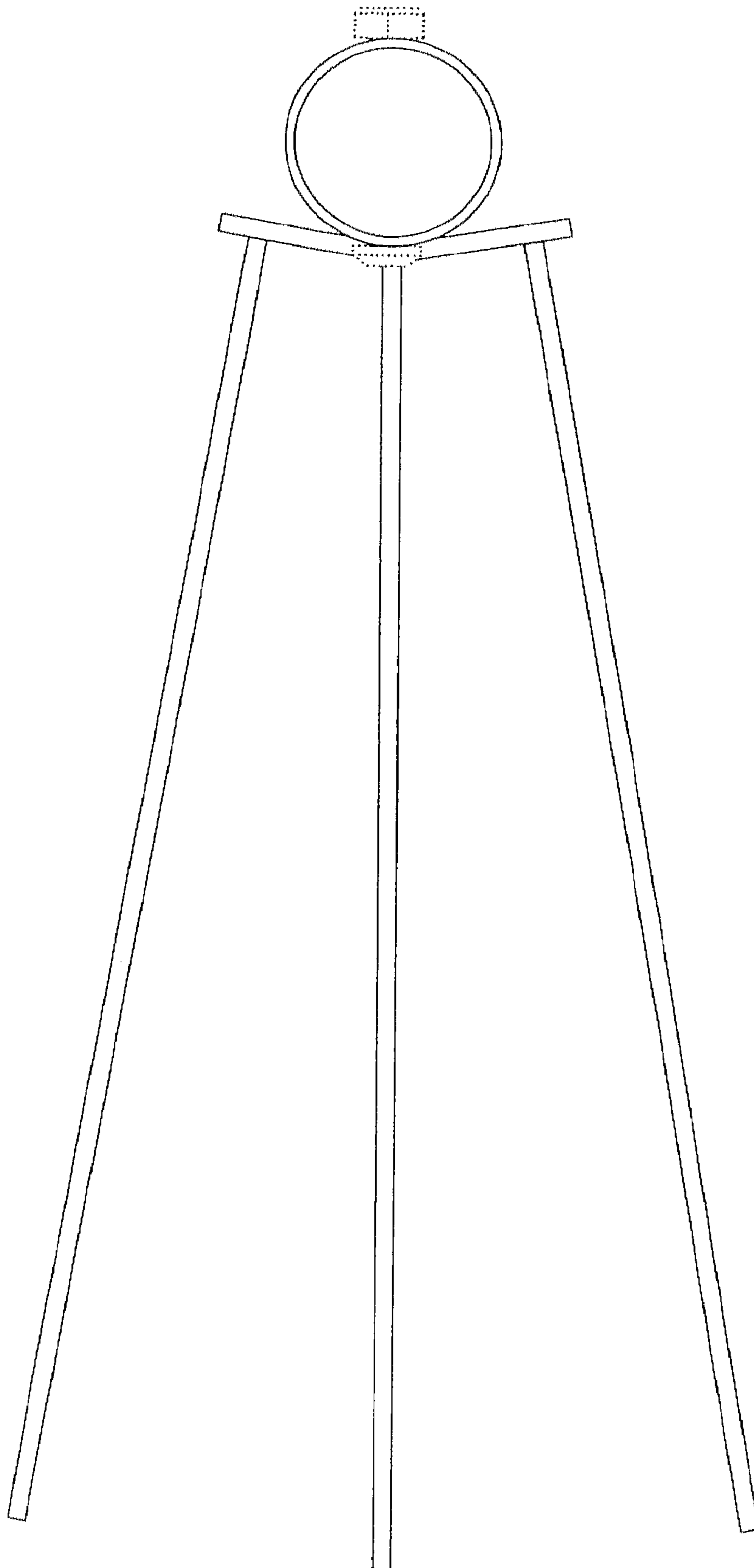


FIG. 6