



US00D659720S

(12) **United States Design Patent**
Lucchi

(10) **Patent No.:** **US D659,720 S**

(45) **Date of Patent:** **** May 15, 2012**

(54) **COMPRESSOR**

(75) Inventor: **Fabio Lucchi**, Pontecchio Marconi (IT)

(73) Assignee: **F.I.A.C. S.p.A.**, Pontecchio Marconi (IT)

(**) Term: **14 Years**

(21) Appl. No.: **29/399,179**

(22) Filed: **Aug. 10, 2011**

(30) **Foreign Application Priority Data**

Mar. 15, 2011 (EM) 001835620

(51) **LOC (9) Cl.** **15-02**

(52) **U.S. Cl.** **D15/9**

(58) **Field of Classification Search** D15/7-9;
D23/231, 232, 225; 417/60, 235, 265, 321,
417/355, 358, 363, 359, 410.1, 415-416,
417/405, 900; 60/408, 412; 184/26-37;
415/140-147; 123/495, 509

See application file for complete search history.

(56) **References Cited**

U.S. PATENT DOCUMENTS

D500,326 S *	12/2004	Fathallah et al.	D15/9
D503,411 S *	3/2005	Fujiwara	D15/7
D528,131 S *	9/2006	Wu	D15/9
D541,814 S *	5/2007	Lacey	D15/7
D558,230 S *	12/2007	Vivar et al.	D15/7
D625,338 S *	10/2010	Nam et al.	D15/9

* cited by examiner

Primary Examiner — Ralf Seifert

(74) *Attorney, Agent, or Firm* — Pearne & Gordon LLP

(57) **CLAIM**

The ornamental design for compressor, as shown and described.

DESCRIPTION

FIG. 1 illustrates the compressor in a perspective view;
FIG. 2 illustrates the compressor in front view;
FIG. 3 illustrates the compressor in left side view;
FIG. 4 illustrates the compressor in rear view;
FIG. 5 illustrates the compressor in right side view;
FIG. 6 illustrates the compressor in top view; and,
FIG. 7 illustrates the compressor in bottom view.

1 Claim, 7 Drawing Sheets

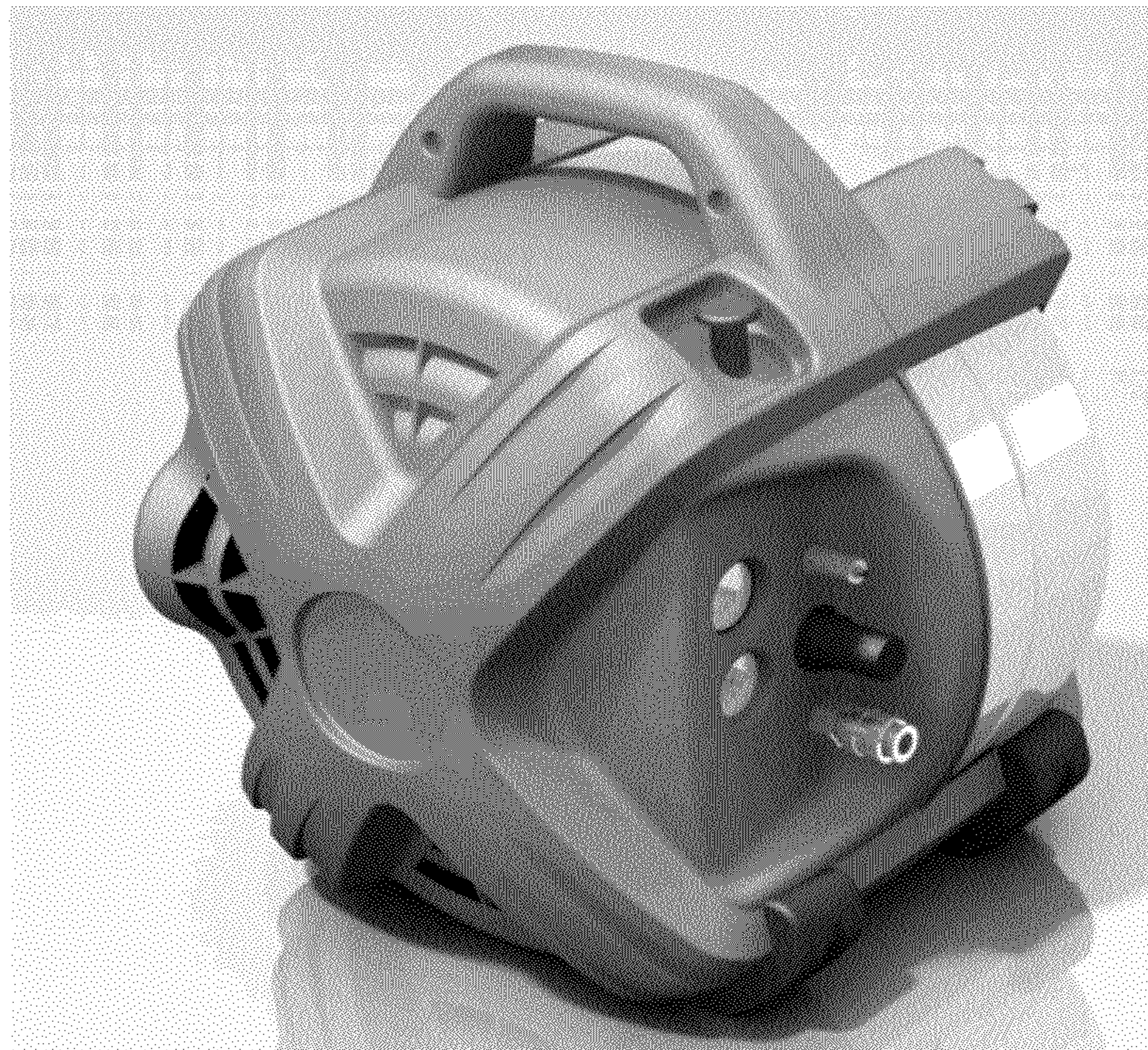


FIG. 1

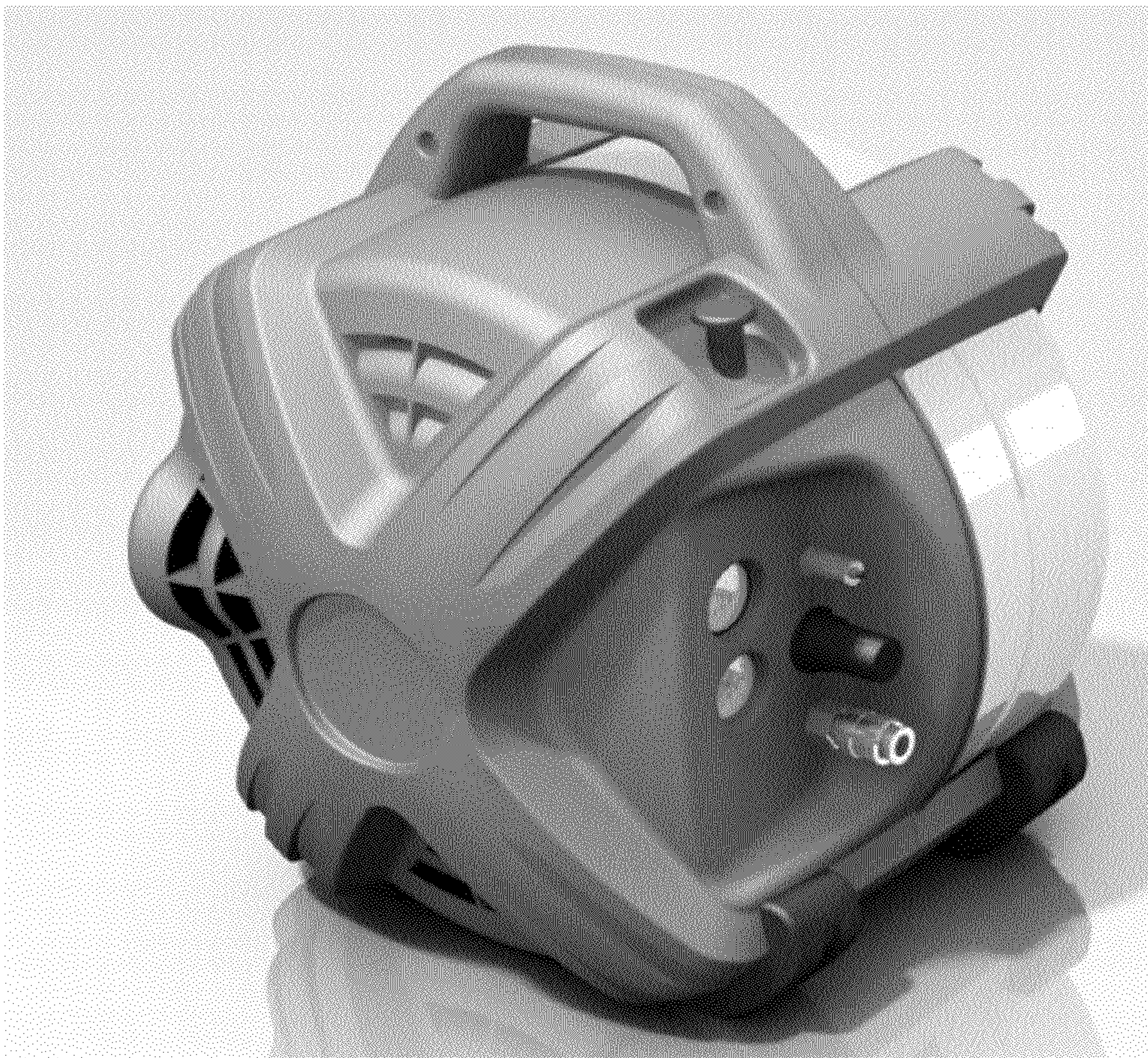


FIG. 2



FIG.3



FIG. 4

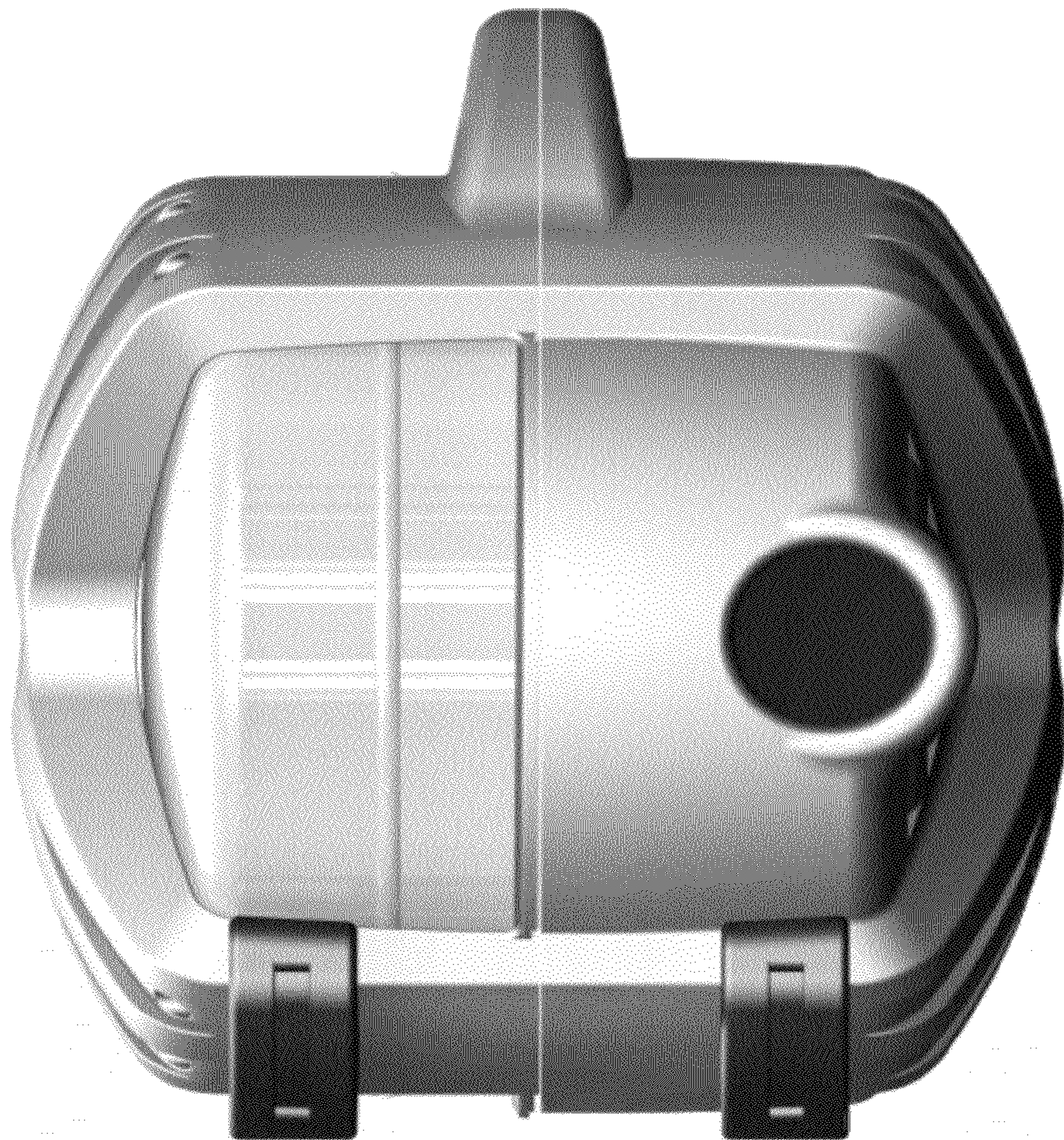


FIG.5



FIG.6

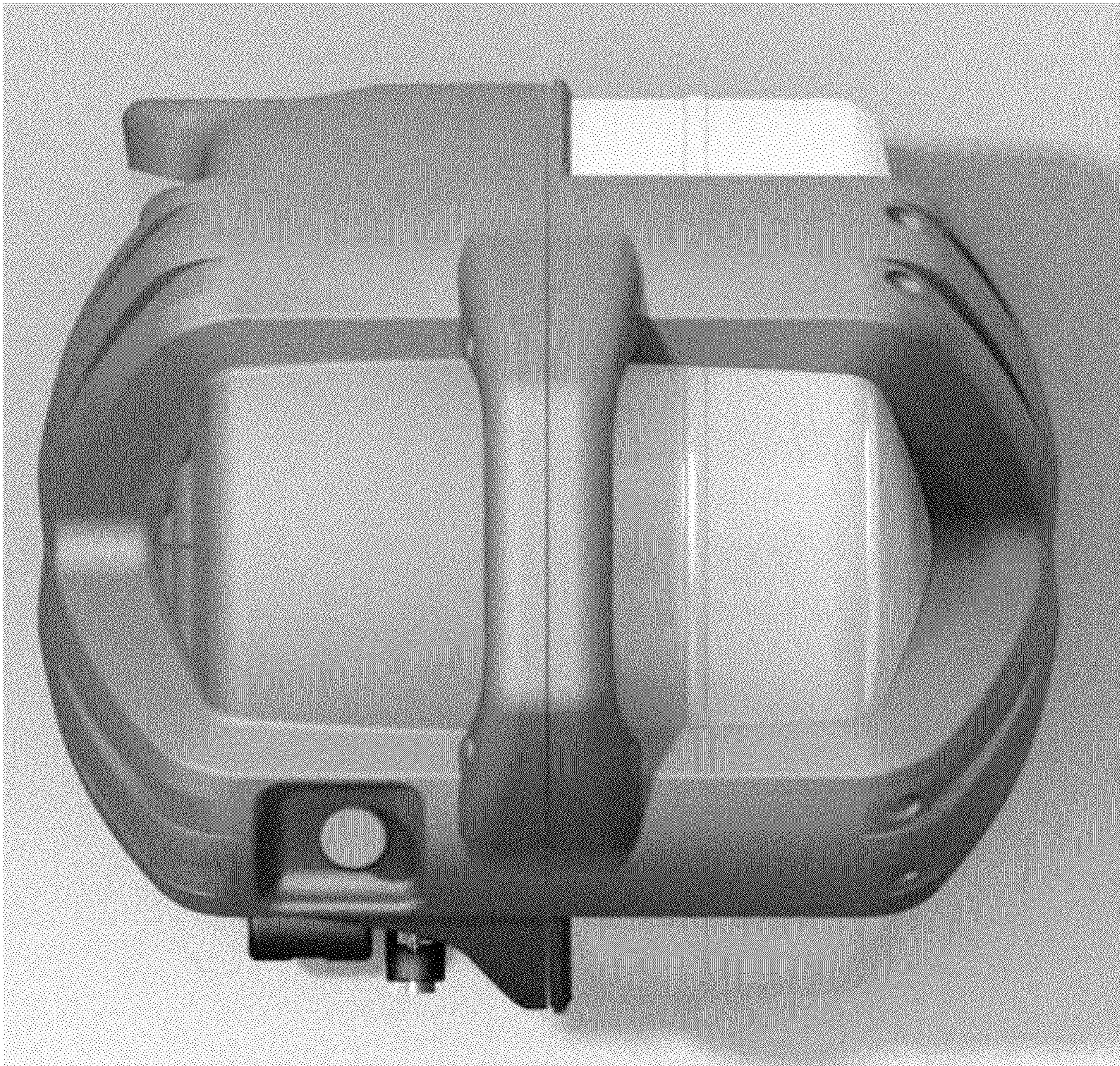


FIG. 7

