



US00D659717S

(12) **United States Design Patent**
Mattson et al.

(10) **Patent No.:** **US D659,717 S**

(45) **Date of Patent:** **** May 15, 2012**

(54) **PORTABLE PUMP**

(75) Inventors: **Andrew P. Mattson**, Richardson, TX
(US); **Andrew P. Nelson**, Dallas, TX
(US)

(73) Assignee: **Smith & Nephew PLC**, London (GB)

(**) Term: **14 Years**

(21) Appl. No.: **29/409,870**

(22) Filed: **Dec. 29, 2011**

Related U.S. Application Data

(63) Continuation of application No. 29/403,127, filed on Sep. 30, 2011, now Pat. No. Des. 654,095, which is a continuation of application No. 29/396,913, filed on Jul. 8, 2011, now Pat. No. Des. 648,353, which is a continuation of application No. 29/376,964, filed on Oct. 14, 2010, now Pat. No. Des. 642,594.

(51) **LOC (9) Cl.** **15-02**

(52) **U.S. Cl.** **D15/7**

(58) **Field of Classification Search** D15/7-9;
D23/231, 232, 225; 417/60, 235, 265, 321,
417/355, 358, 363, 359, 410.1, 415-416,
417/405, 900; 60/408, 412; 184/26-37;
415/140-147; 123/495, 509

See application file for complete search history.

(56) **References Cited**

U.S. PATENT DOCUMENTS

D423,102 S 4/2000 Mertenant
D434,150 S 11/2000 Tumey et al.
D439,341 S 3/2001 Tumey et al.
6,648,862 B2 11/2003 Watson

D516,217 S 2/2006 Brown et al.
D544,092 S 6/2007 Lewis
D546,952 S 7/2007 May
D554,266 S * 10/2007 Striepe et al. D24/186
D580,285 S 11/2008 Hendrickson et al.
D585,135 S 1/2009 Mori et al.
D585,137 S 1/2009 Onoada et al.
D585,543 S 1/2009 Yodfat et al.
D586,466 S 2/2009 Smith et al.

(Continued)

OTHER PUBLICATIONS

U.S. Appl. No. 29/403,127, filed Sep. 30, 2011, Mattson, et al.

(Continued)

Primary Examiner — Ralf Seifert

(74) *Attorney, Agent, or Firm* — Knobbe Martens Olson & Bear LLP

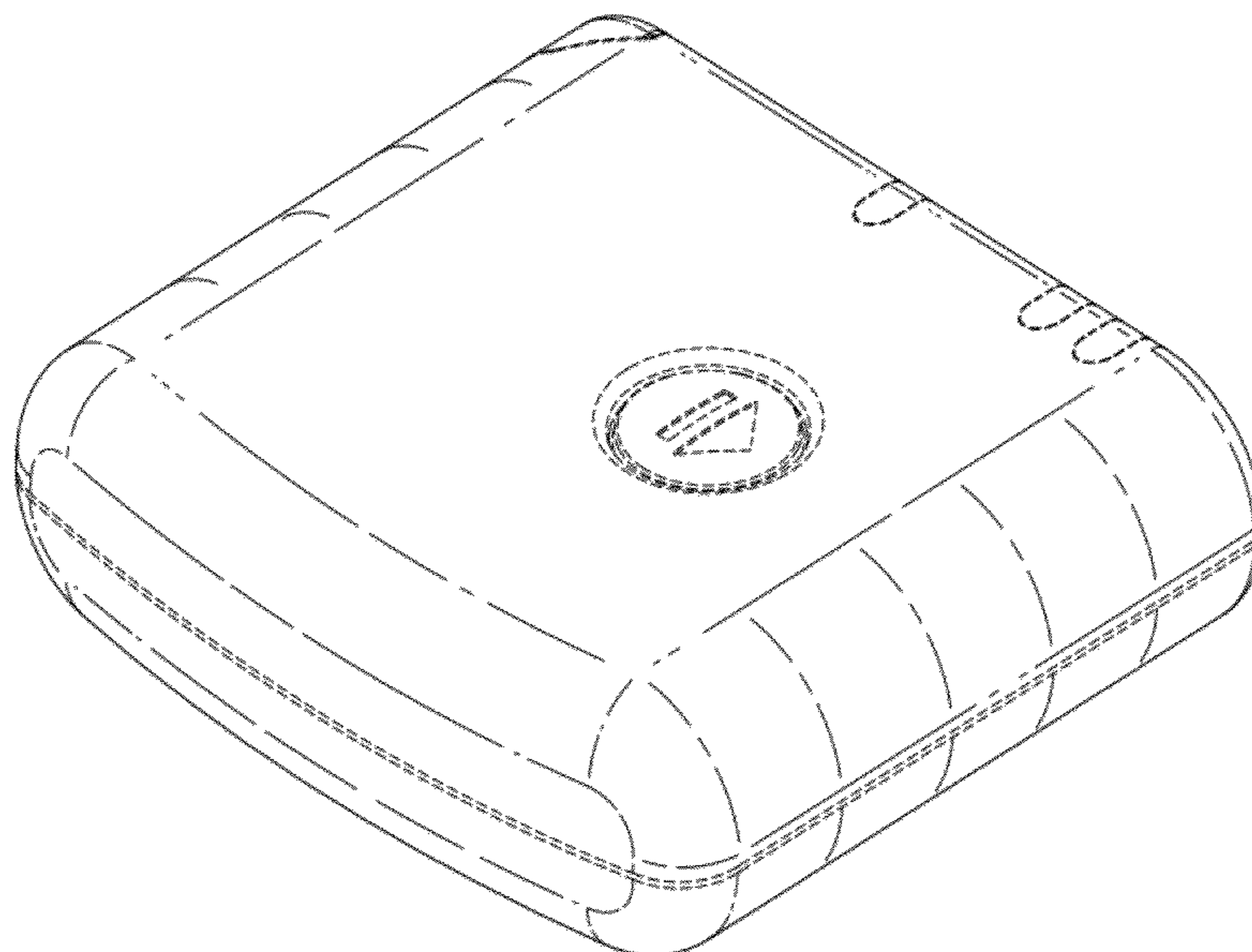
(57) **CLAIM**

The ornamental design for a portable pump, as shown and described.

DESCRIPTION

FIG. 1 is a perspective view of a portable pump.
FIG. 2 is another perspective view of the portable pump of FIG. 1.
FIG. 3 is a top plan view of the portable pump of FIG. 1.
FIG. 4 is a bottom view of the portable pump of FIG. 1.
FIG. 5 is a front view of the portable pump of FIG. 1.
FIG. 6 is a rear view of the portable pump of FIG. 1.
FIG. 7 is a right side view of the portable pump of FIG. 1; and,
FIG. 8 is a left side view of the portable pump of FIG. 1.
The broken lines in the drawings are for illustrative purposes only and form no part of the claimed design.

1 Claim, 6 Drawing Sheets



US D659,717 S

Page 2

U.S. PATENT DOCUMENTS

D587,376 S 2/2009 Takano et al.
D588,160 S * 3/2009 Beale et al. D15/7
D590,841 S 4/2009 Muhlenberend
D598,472 S 8/2009 Anderson et al.
D625,740 S 10/2010 Varini
D629,502 S 12/2010 Au et al.
D642,594 S 8/2011 Mattson et al.
D648,353 S 11/2011 Mattson et al.
2004/0167482 A1 8/2004 Watson
2009/0312728 A1 12/2009 Randolph et al.
2010/0125258 A1 5/2010 Couthard et al.
2010/0125259 A1 5/2010 Olson

OTHER PUBLICATIONS

Kalypto Medical, NPD 1000 NPWT Pump & Control Module Product Specifications, Oct. 2009.
KCI Licensing, Prevena™ Incision Management System, 2010.
Web page labeled “The XVS System,” printed from Cerulean Medical website, http://ceruleanmedical.com/Cerulean_Medical/The_XVS_System.html (1 printed page), available before Oct. 14, 2010.

* cited by examiner

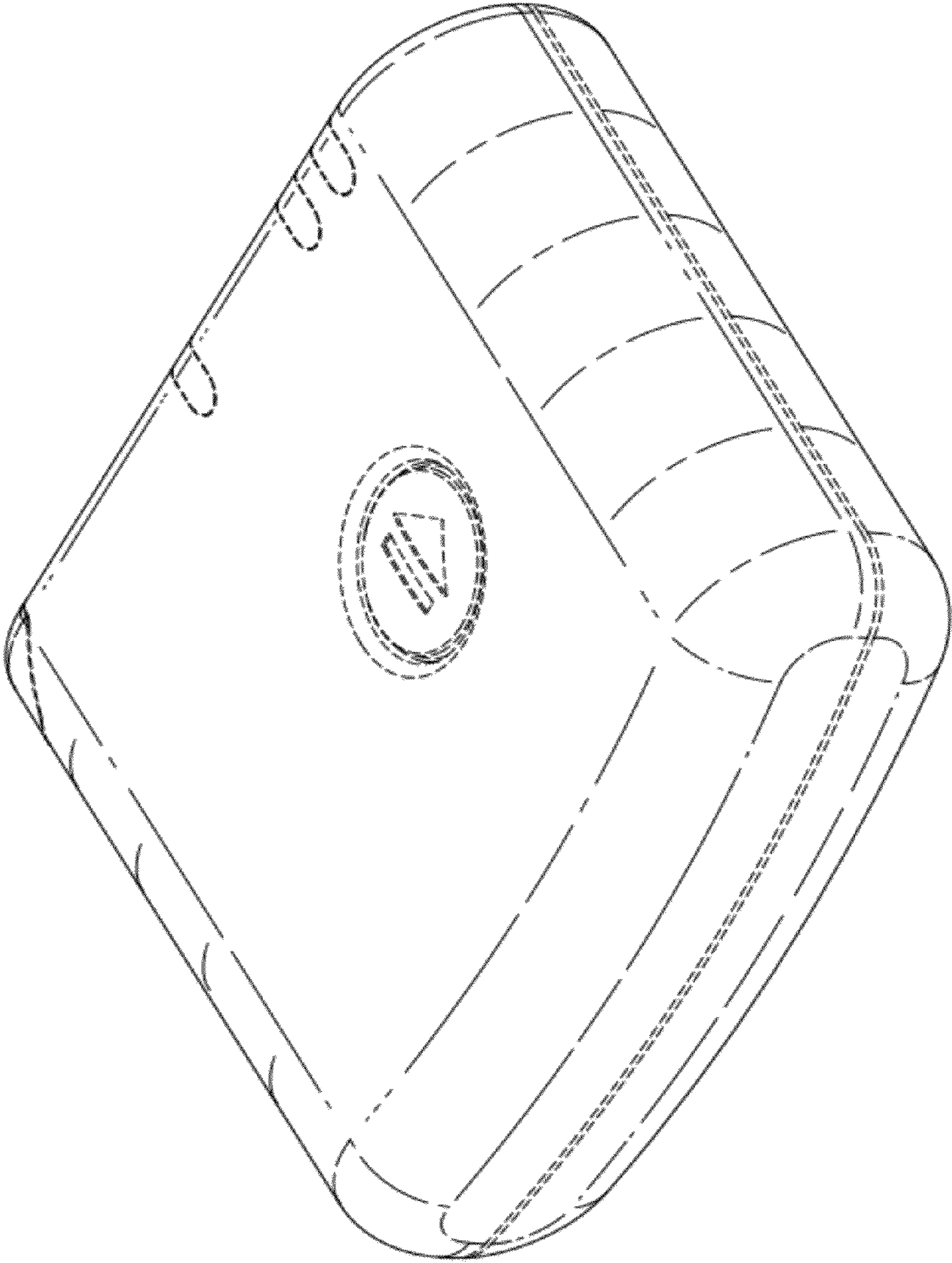


FIG. 1

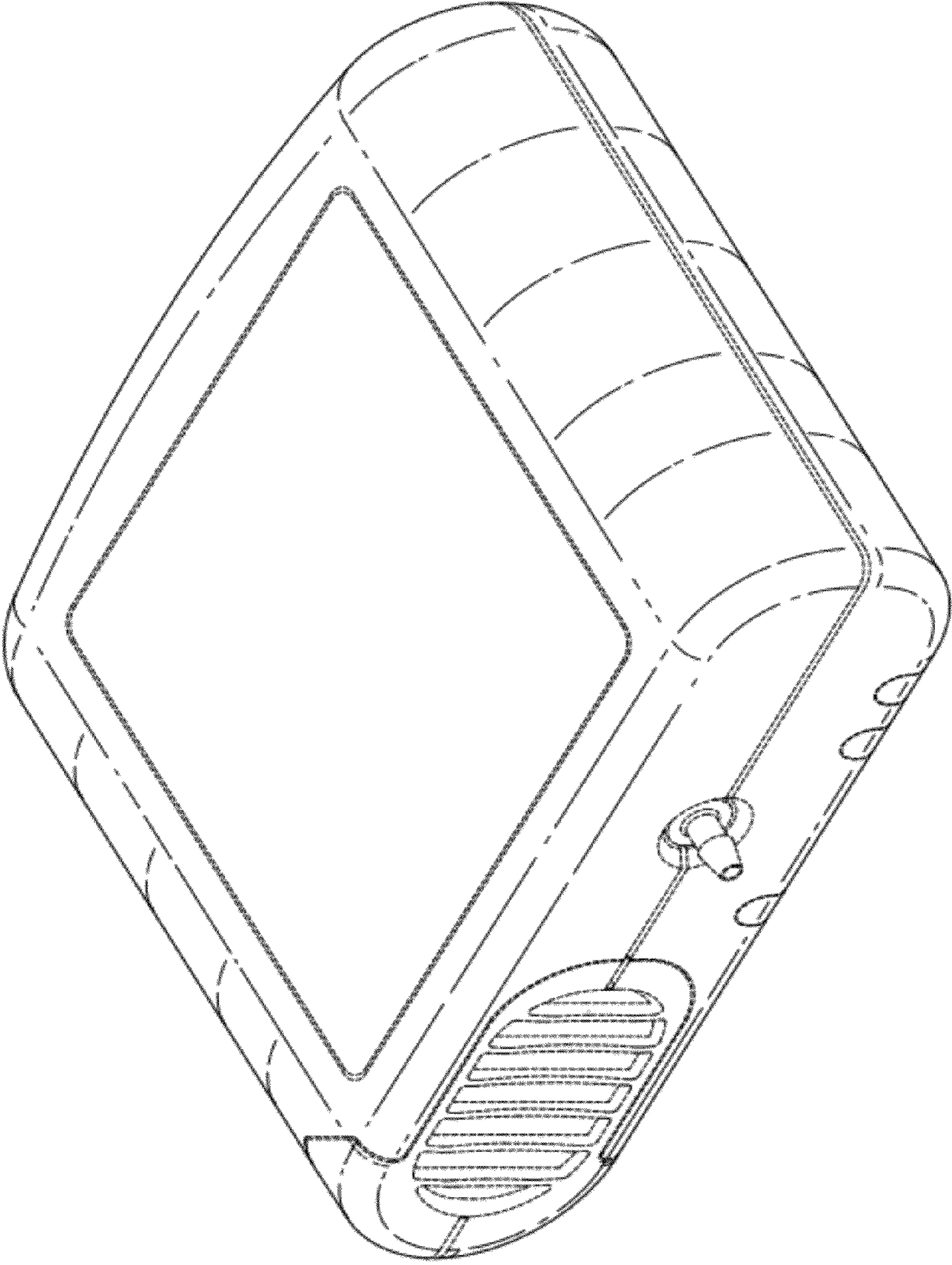


FIG. 2

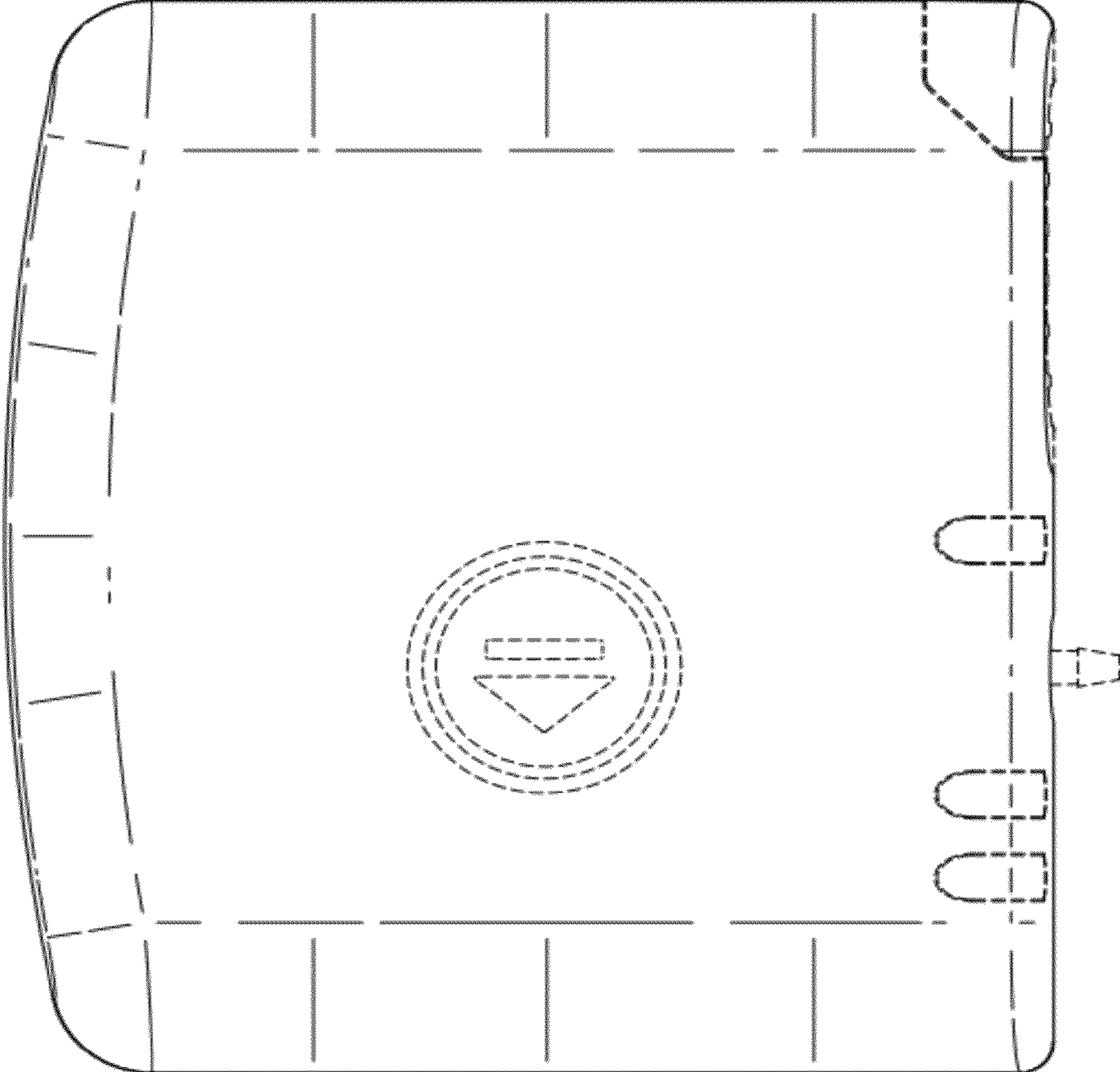


FIG. 3

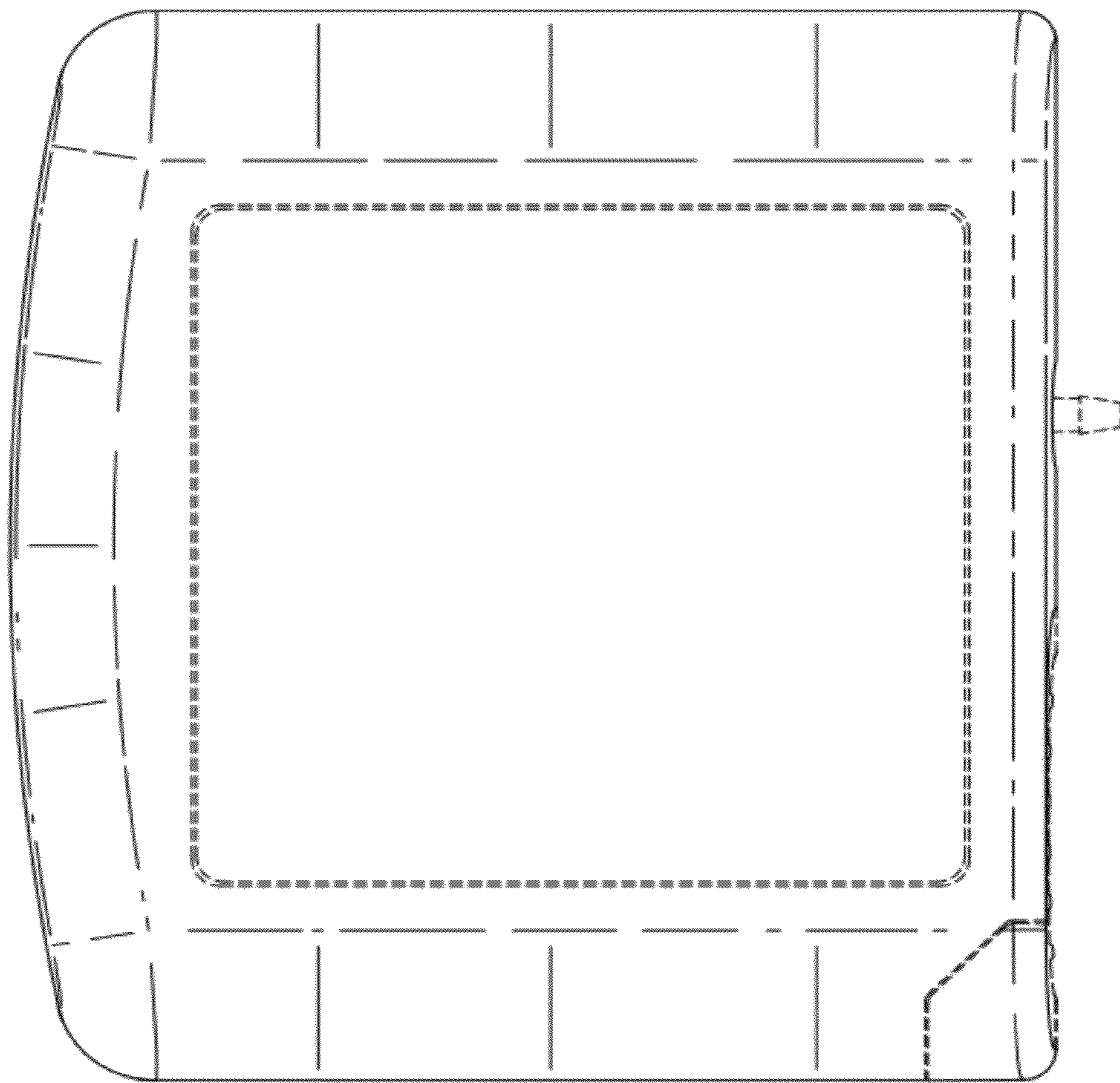


FIG. 4

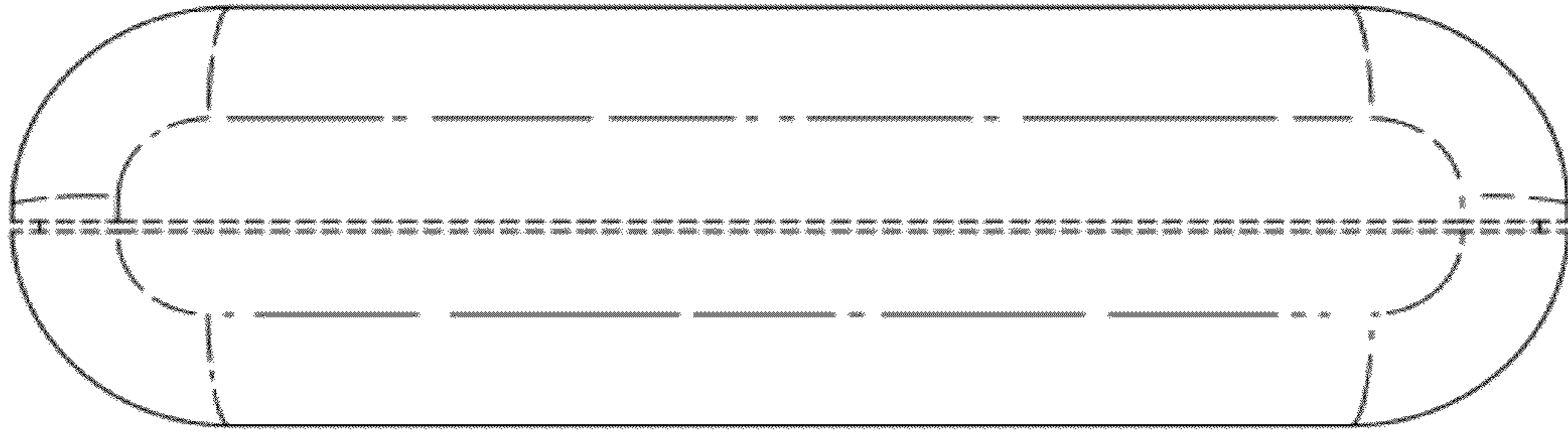


FIG. 5

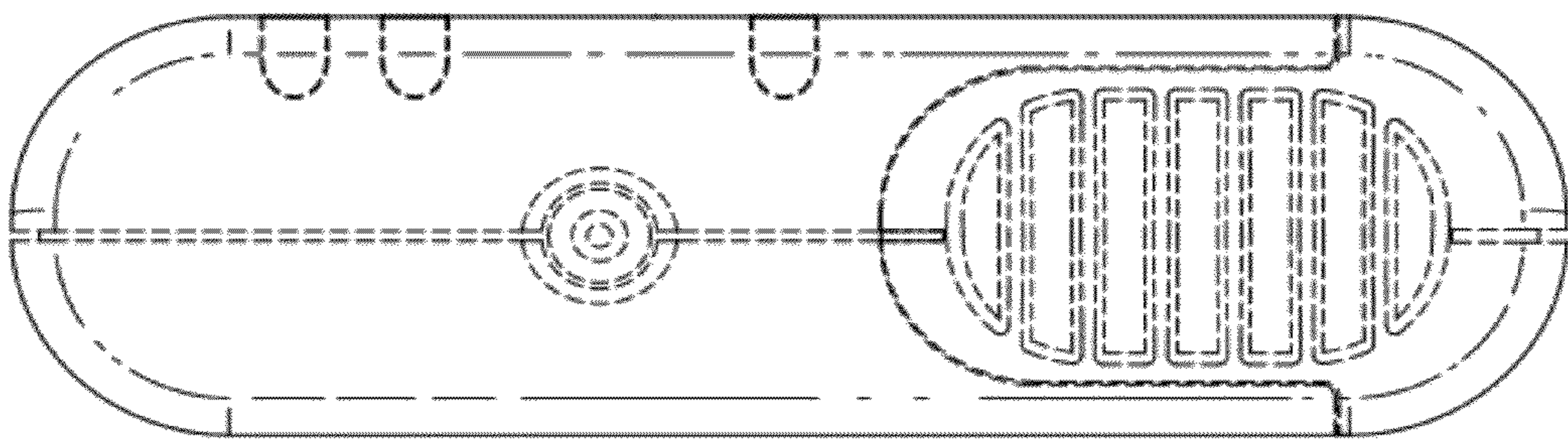


FIG. 6

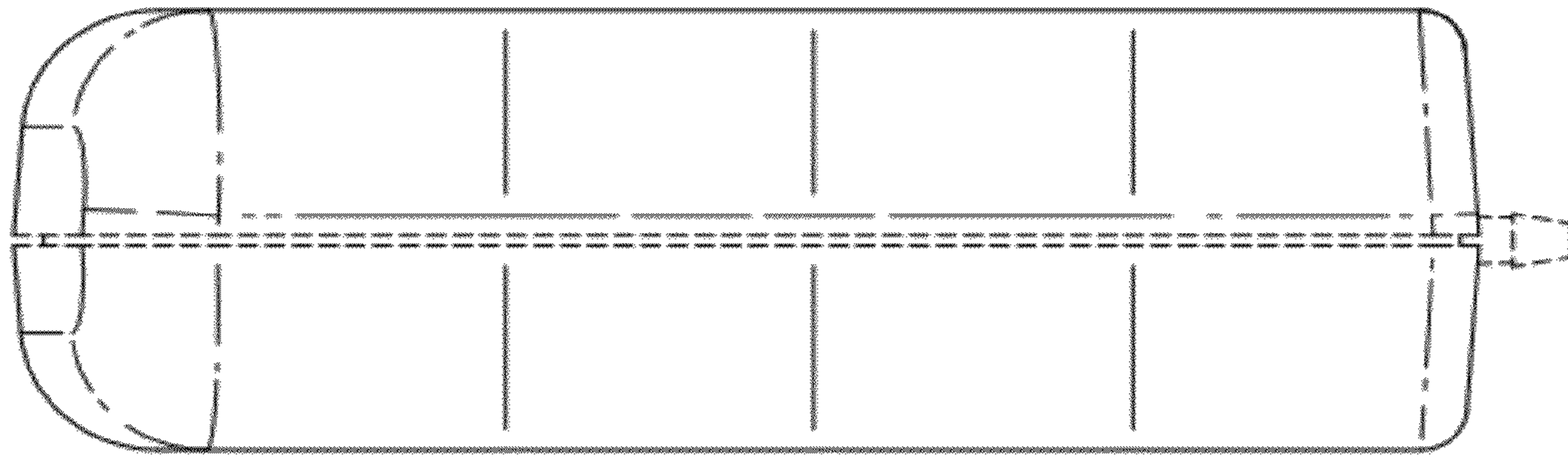


FIG. 7

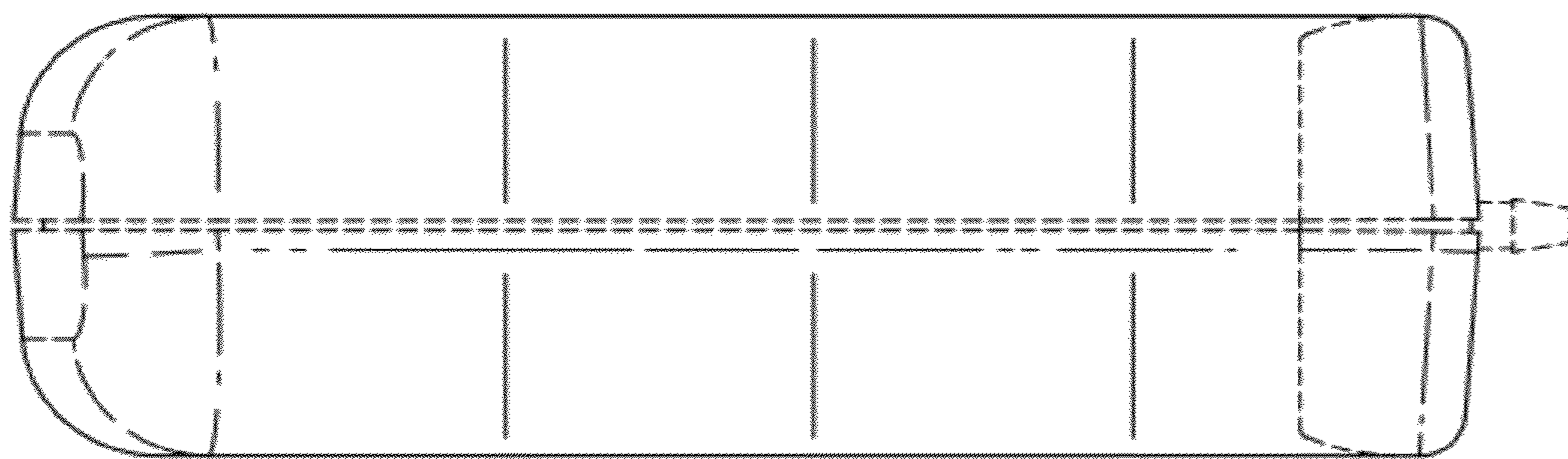


FIG. 8