



US00D659715S

(12) **United States Design Patent**
Seidel

(10) **Patent No.:** **US D659,715 S**

(45) **Date of Patent:** **** May 15, 2012**

(54) **FRONT COVER OF A PUMP**

(75) **Inventor:** **Uwe Seidel, Salz (DE)**

(73) **Assignee:** **Vacuvane Vacuum Technology GmbH,
Schweinfurt (DE)**

(**) **Term:** **14 Years**

(21) **Appl. No.:** **29/391,596**

(22) **Filed:** **May 11, 2011**

(30) **Foreign Application Priority Data**

Nov. 11, 2010 (EM) 001780255-002

(51) **LOC (9) Cl.** **15-02**

(52) **U.S. Cl.** **D15/7**

(58) **Field of Classification Search** D15/7-9;
D23/231, 232; 417/410.1, 359, 415-416,
417/234, 321, 265, 405

See application file for complete search history.

(56) **References Cited**

U.S. PATENT DOCUMENTS

D616,468 S * 5/2010 Bossom D15/7
D624,631 S * 9/2010 Cantrill et al. D23/261

* cited by examiner

Primary Examiner — Ralf Seifert

(74) *Attorney, Agent, or Firm* — Laurence A. Greenberg;
Werner H. Stemer; Ralph E. Locher

(57) **CLAIM**

The ornamental design for a front cover of a pump, as shown and described.

DESCRIPTION

FIG. 1 is a front elevation view of the front cover of a pump, showing my new design; FIG. 2 is a side elevation view thereof; and, FIG. 3 is a front perspective view thereof. The appearance of the rear of the pump cover does not form a part of the invention.

1 Claim, 3 Drawing Sheets



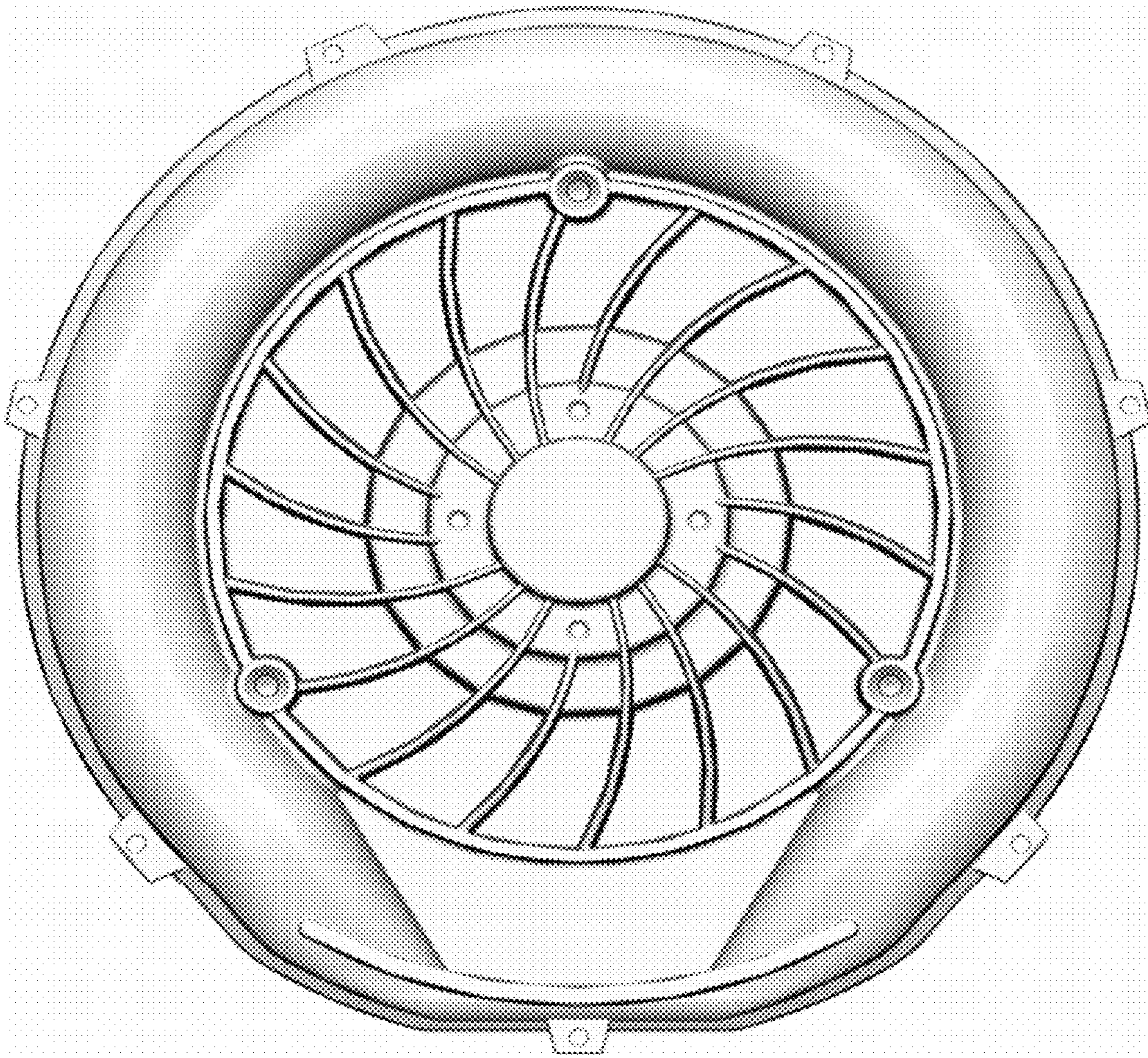


FIG. 1



FIG. 2



FIG. 3