



US00D659714S

(12) **United States Design Patent**
Gieske et al.

(10) **Patent No.:** **US D659,714 S**
(45) **Date of Patent:** **** May 15, 2012**

(54) **CARBURETOR THROTTLE BODY**

(75) Inventors: **Amy Gieske**, Bowling Green, KY (US);
Laura Shehan, Bowling Green, KY
(US); **Shane Weckerly**, Bowling Green,
KY (US)

(73) Assignee: **Holley Performance Products, Inc.**,
Bowling Green, KY (US)

(**) Term: **14 Years**

(21) Appl. No.: **29/397,980**

(22) Filed: **Jul. 25, 2011**

(51) **LOC (9) Cl.** **15-01**

(52) **U.S. Cl.** **D15/5**

(58) **Field of Classification Search** D15/1-6;
D12/400; 261/23.2; 123/336

See application file for complete search history.

(56) **References Cited**

U.S. PATENT DOCUMENTS

3,021,827	A *	2/1962	Brunner	123/389
3,796,415	A *	3/1974	Dreher	261/41.5
4,415,507	A *	11/1983	Voliva	261/18.3
D279,101	S *	6/1985	Halcomb et al.	D15/5
D456,421	S	4/2002	Braswell	
D456,818	S	5/2002	Braswell	
D457,168	S	5/2002	Braswell	
D532,082	S *	11/2006	Cimbura	D23/233
7,255,331	B2 *	8/2007	Grant	261/23.2
7,343,896	B2 *	3/2008	Grant et al.	123/336
D578,550	S *	10/2008	Benoit	D15/6

7,735,475	B2 *	6/2010	Farrell et al.	123/470
D619,623	S *	7/2010	Braswell	D15/6
2005/0082694	A1 *	4/2005	Grant	261/63
2006/0244158	A1 *	11/2006	Grant et al.	261/41.3
2009/0145406	A1 *	6/2009	Farrell et al.	123/470

* cited by examiner

Primary Examiner — T. Chase Nelson

Assistant Examiner — Ania Aman

(74) *Attorney, Agent, or Firm* — Hunton & Williams LLP

(57) **CLAIM**

We claim the ornamental design for a carburetor throttle body, as shown and described.

DESCRIPTION

FIG. 1 is a top perspective view of a carburetor throttle body showing the claimed design.

FIG. 2 is a bottom perspective view of the carburetor throttle body of FIG. 1.

FIG. 3 is a top plan view of the carburetor throttle body of FIG. 1.

FIG. 4 is a bottom plan view of the carburetor throttle body of FIG. 1.

FIG. 5 is a rear elevation view of the carburetor throttle body of FIG. 1.

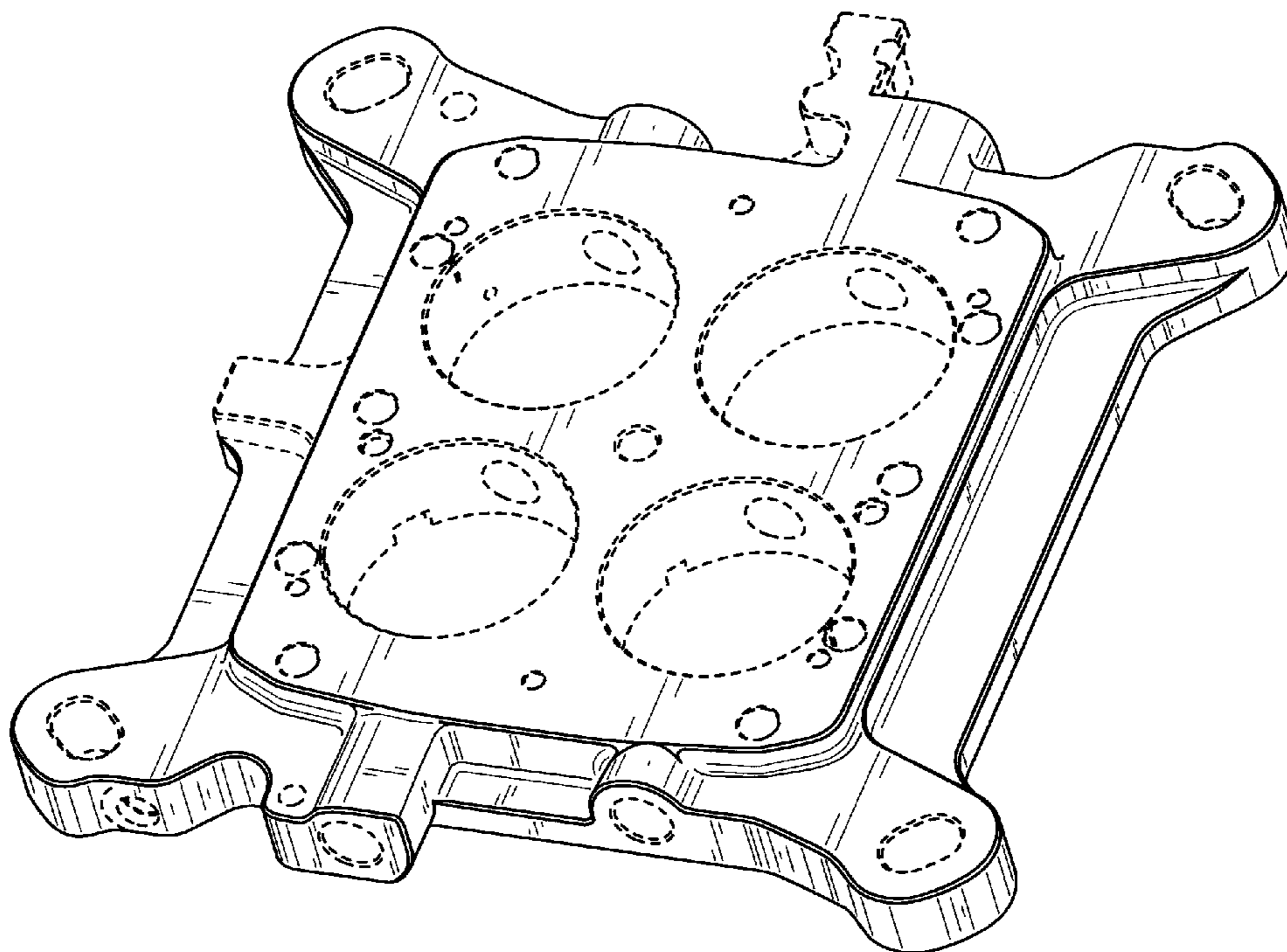
FIG. 6 is a front elevation view of the carburetor throttle body of FIG. 1.

FIG. 7 is a left side view of the carburetor throttle body of FIG. 1; and,

FIG. 8 is a right side view of the carburetor throttle body of FIG. 1.

The broken lines used in the figures are for illustrative purposes only and form no part of the claimed design.

1 Claim, 6 Drawing Sheets



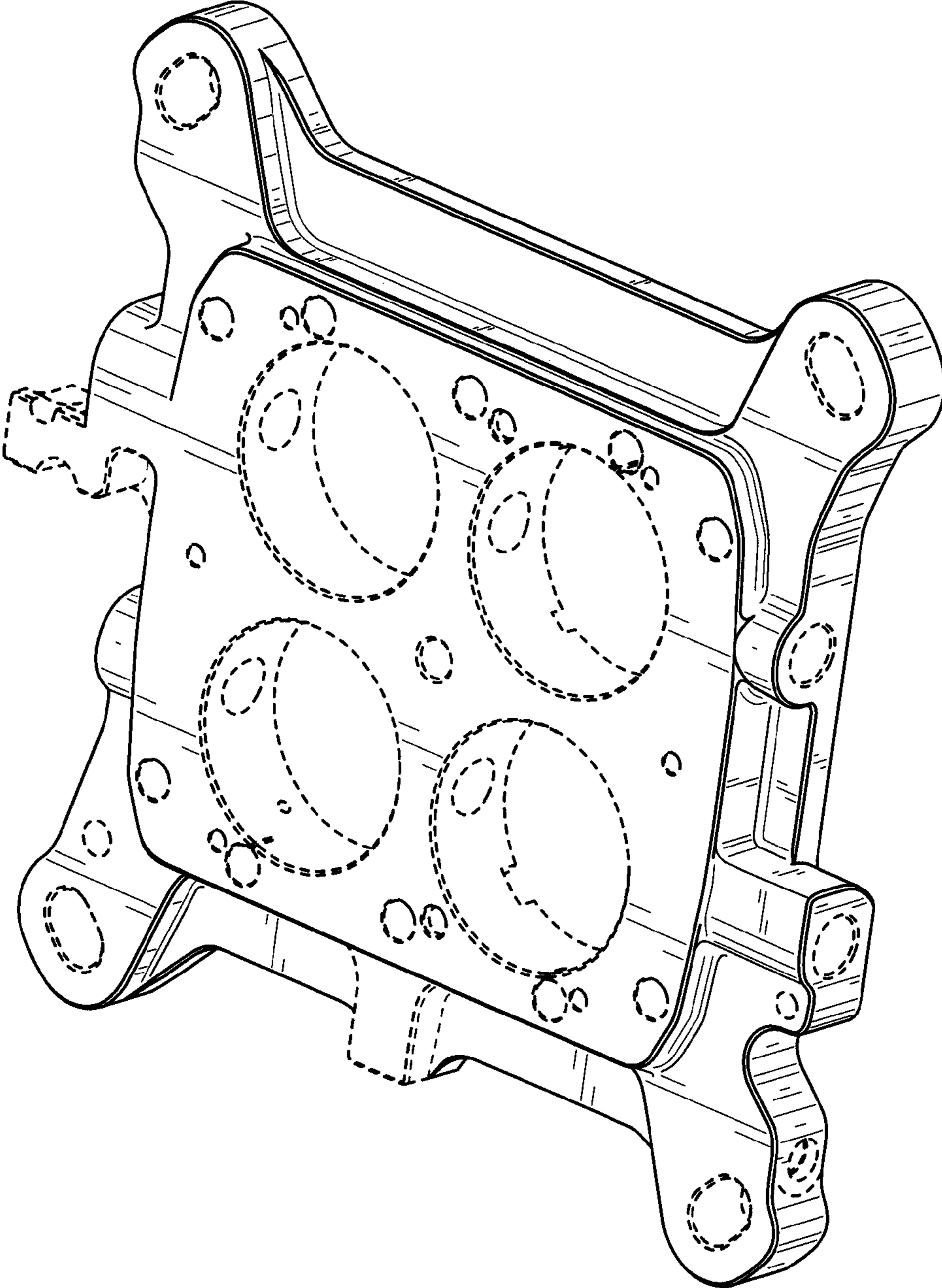


FIG. 1

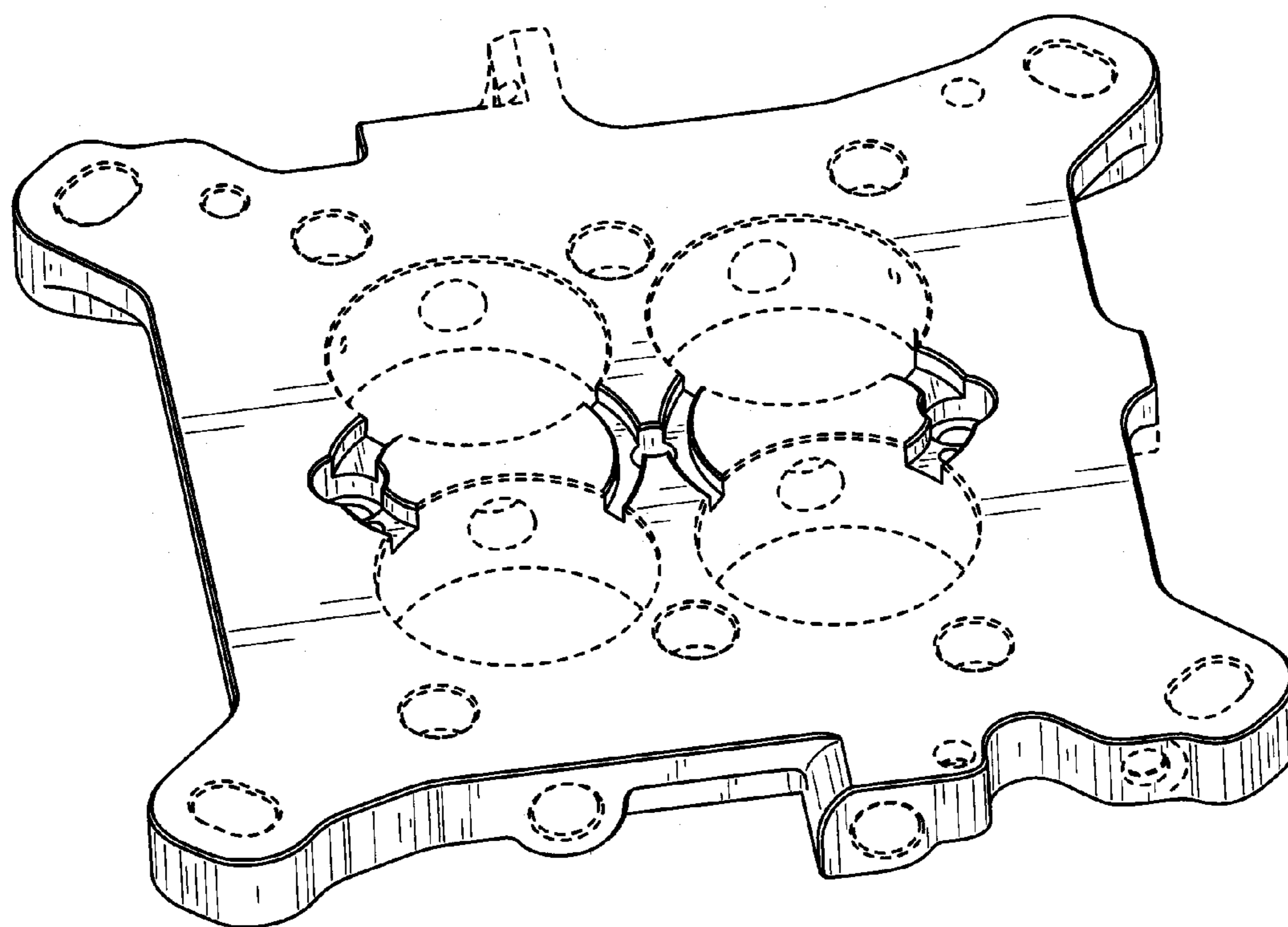


FIG. 2

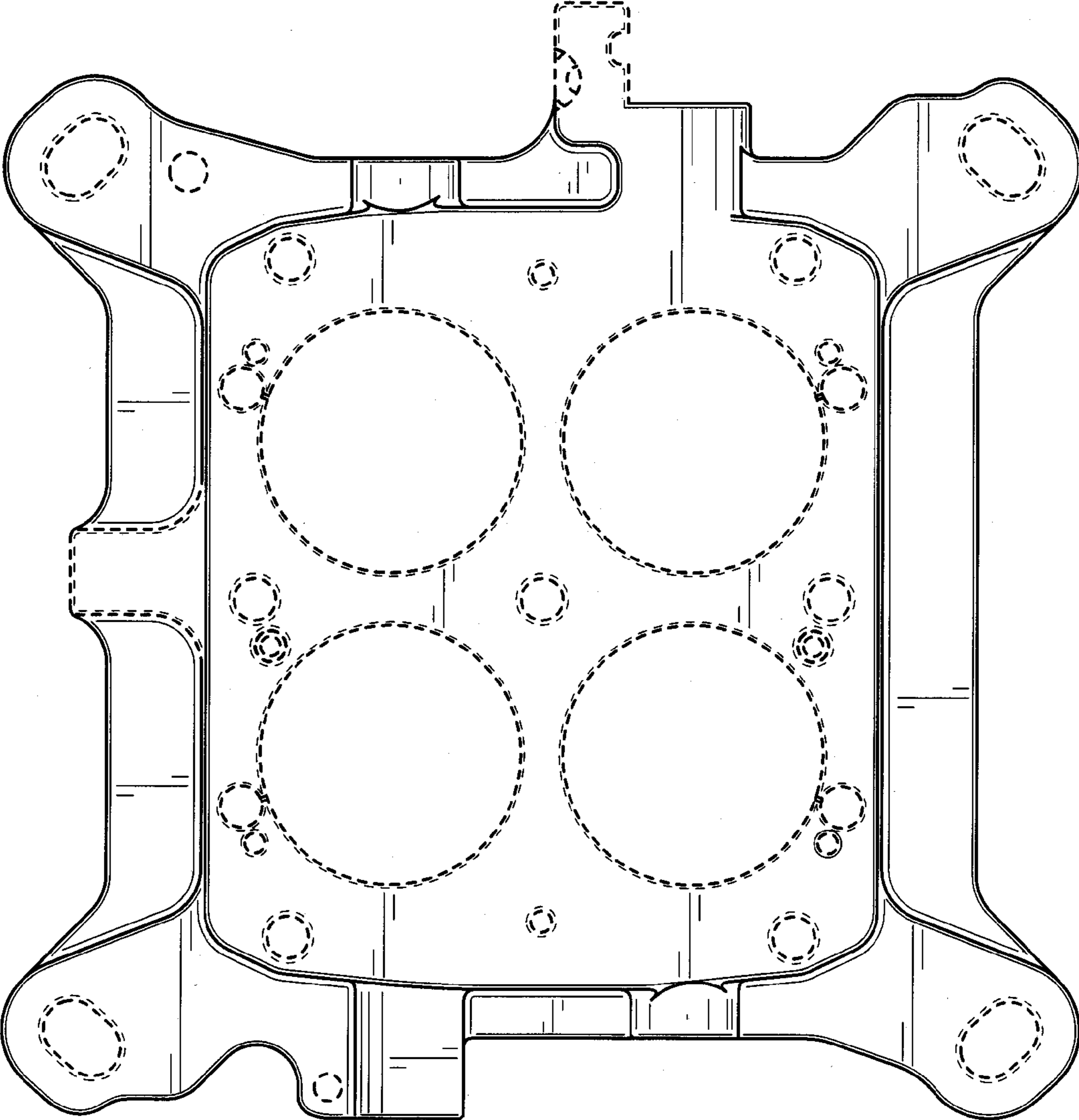


FIG. 3

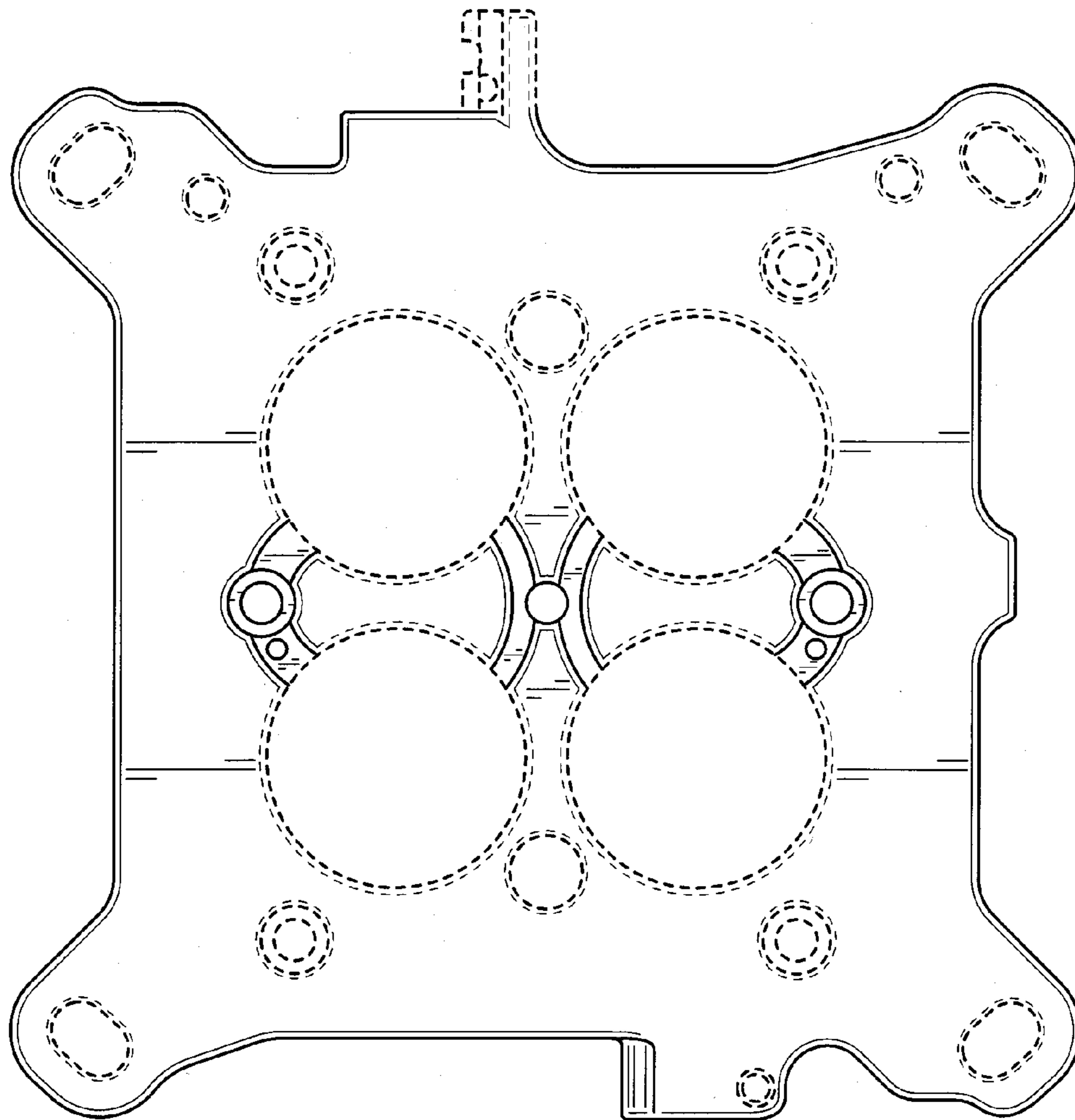


FIG. 4

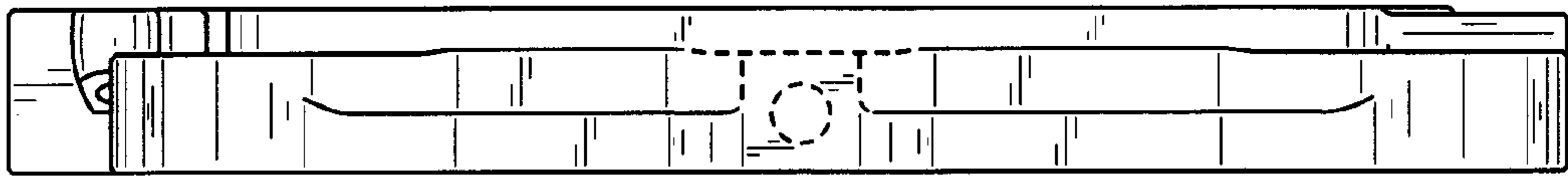


FIG. 5

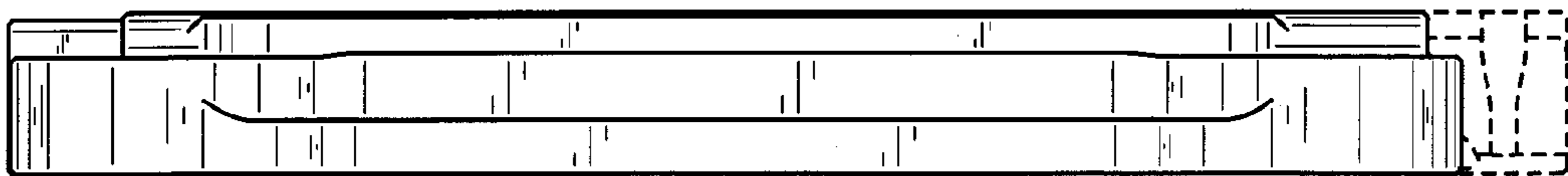


FIG. 6

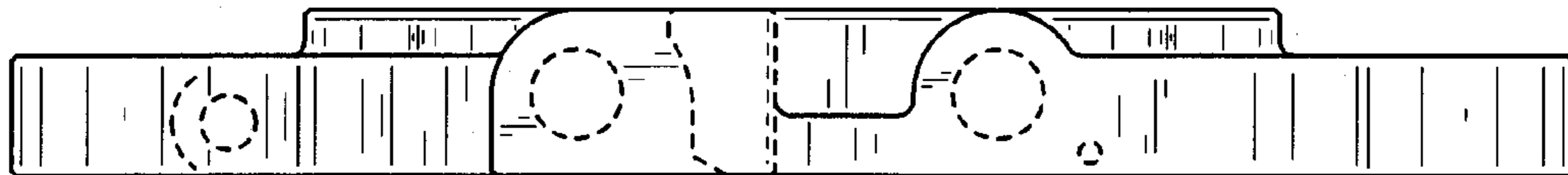


FIG. 7



FIG. 8