



US00D659712S

(12) **United States Design Patent**  
**Andre et al.**

(10) **Patent No.:** **US D659,712 S**  
(45) **Date of Patent:** **\*\* May 15, 2012**

(54) **MEDIA DEVICE**

(75) Inventors: **Bartley K. Andre**, Menlo Park, CA (US); **Daniel J. Coster**, San Francisco, CA (US); **Daniele De Iuliis**, San Francisco, CA (US); **Richard P. Howarth**, San Francisco, CA (US); **Jonathan P. Ive**, San Francisco, CA (US); **Steve Jobs**, Palo Alto, CA (US); **Duncan Robert Kerr**, San Francisco, CA (US); **Shin Nishibori**, Kailua, HI (US); **Matthew Dean Rohrbach**, San Francisco, CA (US); **Douglas B. Satzger**, Menlo Park, CA (US); **Calvin Q. Seid**, Palo Alto, CA (US); **Christopher J. Stringer**, Woodside, CA (US); **Eugene Antony Whang**, San Francisco, CA (US); **Rico Zorkendorfer**, San Francisco, CA (US)

(73) Assignee: **Apple Inc.**, Cupertino, CA (US)

(\*\*) Term: **14 Years**

(21) Appl. No.: **29/407,164**

(22) Filed: **Nov. 23, 2011**

**Related U.S. Application Data**

(60) Continuation of application No. 29/393,191, filed on May 31, 2011, now Pat. No. Des. 650,811, which is a continuation of application No. 29/379,225, filed on Nov. 16, 2010, now Pat. No. Des. 638,854, which is a continuation of application No. 29/361,026, filed on May 4, 2010, now Pat. No. Des. 627,367, which is a continuation of application No. 29/343,120, filed on Sep. 8, 2009, now Pat. No. Des. 616,899, which is a division of application No. 29/334,452, filed on Mar. 26, 2009, now Pat. No. Des. 601,172, which is a division of application No. 29/296,899, filed on Oct. 30, 2007, now Pat. No. Des. 589,530, which is a continuation of application No. 29/265,521, filed on Sep. 1, 2006, now Pat. No. Des. 560,228.

(51) **LOC (9) Cl.** ..... **14-03**

(52) **U.S. Cl.** ..... **D14/496**

(58) **Field of Classification Search** ..... D14/496, D14/401, 435, 474, 483, 217, 137, 138, 160, D14/168, 356, 203.1-203.8, 507; 345/156, 345/169, 173-179, 905; 715/727-729, 864; 710/1, 5, 8; 713/1, 600; 455/1.1, 1.7, 73, 455/344-347, 93, 95, 3.01-3.06, 550.1, 573.1; 370/342-344; 369/1, 2, 6-12; 463/43-47; 273/148 B

See application file for complete search history.

(56) **References Cited**

**U.S. PATENT DOCUMENTS**

D141,980 S 8/1945 Holland et al.  
(Continued)

**FOREIGN PATENT DOCUMENTS**

CN 3260632 D 10/2002  
(Continued)

**OTHER PUBLICATIONS**

“Design of USB Memory Audio Player,” JPO publicly known design No. HA15013509, ASCII, received by the National Center for Industrial Property Information on Jul. 15, 2003, published Jul. 29, 2003, 1 page.

(Continued)

*Primary Examiner* — Prabhakar Deshmukh

(74) *Attorney, Agent, or Firm* — Sterne, Kessler, Goldstein & Fox PLLC

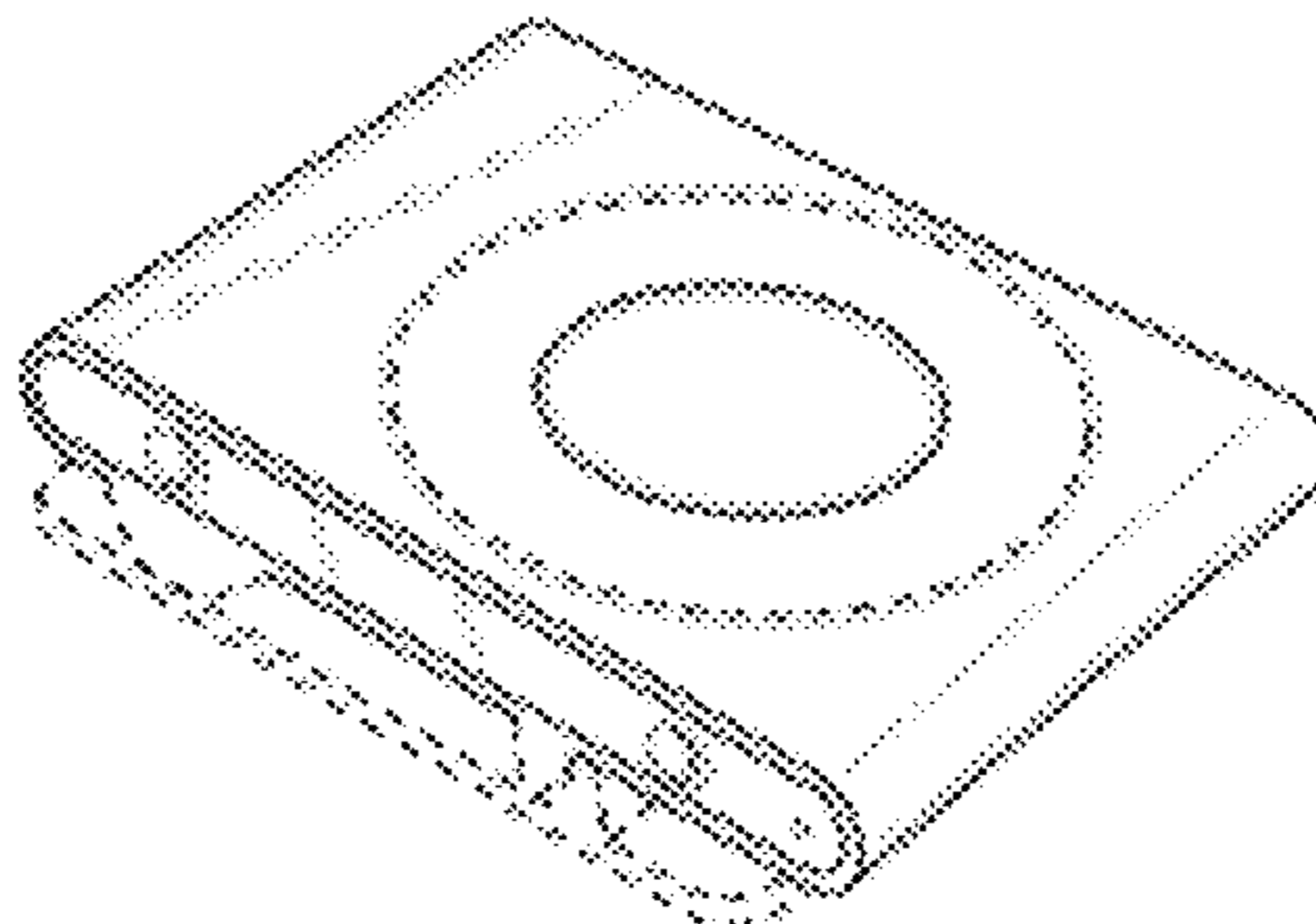
(57) **CLAIM**

The ornamental design for a media device, as shown and described.

**DESCRIPTION**

FIG. 1 is a front perspective view of a media device showing our new design;  
FIG. 2 is a front elevational view thereof;  
FIG. 3 is a rear elevational view thereof;  
FIG. 4 is a top plan view thereof;  
FIG. 5 is a bottom plan view thereof;  
FIG. 6 is a left side elevational view thereof; and,  
FIG. 7 is a right side elevational view thereof.  
The broken lines in the Figures show portions of the media device which form no part of the claimed design.

**1 Claim, 4 Drawing Sheets**



# US D659,712 S

## U.S. PATENT DOCUMENTS

4,359,220	A	11/1982	Morrison et al.	
D303,137	S	8/1989	Brown	
D306,519	S	3/1990	Nakata	
5,128,829	A	7/1992	Loew	
D344,511	S	2/1994	Ansai et al.	
D345,304	S	3/1994	Leader	
5,825,408	A	10/1998	Yuyama et al.	
5,859,594	A	1/1999	King et al.	
6,122,526	A	9/2000	Parulski et al.	
D432,523	S	10/2000	Grinkus et al.	
D438,525	S	3/2001	Katayama	
D441,735	S	5/2001	Katayama	
6,254,477	B1 *	7/2001	Sasaki et al. ....	463/1
D446,499	S	8/2001	Andre et al.	
6,354,477	B1	3/2002	Trummer	
D473,207	S	4/2003	Tanio	
6,567,011	B1	5/2003	Young et al.	
6,593,914	B1	7/2003	Nuovo et al.	
6,595,860	B1 *	7/2003	Yamamoto et al. ....	463/43
6,671,567	B1	12/2003	Dwyer et al.	
D488,472	S	4/2004	Haase et al.	
D489,052	S	4/2004	Shiraki et al.	
D490,068	S	5/2004	Chen	
D490,796	S	6/2004	Allen	
D494,188	S	8/2004	Huang	
6,791,907	B2	9/2004	Berhan	
D500,302	S	12/2004	Deguchi	
D500,485	S	1/2005	Deguchi	
D503,409	S	3/2005	Wong et al.	
D504,442	S	4/2005	Kim	
D506,476	S	6/2005	Andre et al.	
D507,277	S	7/2005	Sitoh	
6,920,344	B2	7/2005	Jang	
D508,495	S	8/2005	Bone et al.	
D511,347	S	11/2005	Naruki	
D511,510	S	11/2005	Beasley et al.	
D513,011	S	12/2005	Johnson	
D513,611	S	1/2006	Hibi	
D515,545	S	2/2006	Griffin	
D516,576	S	3/2006	Ive et al.	
D516,579	S	3/2006	Nakamura	
7,013,164	B2	3/2006	Lin	
D520,502	S	5/2006	Xu et al.	
D521,023	S	5/2006	Kim et al.	
7,046,230	B2	5/2006	Zadesky et al.	
D534,184	S	12/2006	Leija et al.	
D534,545	S	1/2007	Leija et al.	
7,165,998	B2	1/2007	Lee et al.	
D538,298	S	3/2007	Naruki	
D539,306	S	3/2007	Naruki et al.	
7,203,529	B2	4/2007	Kim et al.	
7,213,766	B2	5/2007	Ryan et al.	
7,281,214	B2	10/2007	Fadell	
D555,171	S *	11/2007	Dai .....	D14/496
D559,861	S *	1/2008	Andre et al. ....	D14/496
D563,434	S *	3/2008	Dai .....	D14/496
D568,338	S	5/2008	Andre et al.	

D590,826	S *	4/2009	Andre et al. ....	D14/341
2004/0233646	A1	11/2004	Yen	
2005/0049015	A1	3/2005	Wang	

## FOREIGN PATENT DOCUMENTS

CN	3260633D	10/2002
CN	3269799D	12/2002
CN	3287344D	4/2003
CN	3331371D	10/2003
CN	3389184D	9/2004
CN	3389185D	9/2004
CN	3390597D	9/2004
CN	3393195D	9/2004
CN	3453893D	6/2005
CN	3453894D	6/2005
CN	3453909D	6/2005
CN	3468582D	8/2005
CN	3468598D	8/2005
CN	3480659D	10/2005
CN	3484184D	11/2005
CN	3490573D	12/2005
CN	3490574D	12/2005
CN	3513646D	3/2006
CN	3518964D	4/2006
CN	3518979D	4/2006
CN	3541511D	7/2006
CN	3543434D	7/2006
CN	3543442D	7/2006
CN	3543458D	7/2006
CN	3545312D	7/2006
CN	3545341D	7/2006
CN	3549064D	8/2006
JP	D1085073	9/2000
JP	D1085080	9/2000
JP	1089527	10/2000
JP	D1089528	10/2000
JP	D1089529	10/2000
JP	D1089530	10/2000
JP	D1105429	4/2001
JP	D1106151	4/2001
JP	D1106452	4/2001
JP	D1121650	9/2001
JP	D1123108	10/2001
JP	D1129386	12/2001
JP	D1129387	12/2001
JP	D1131037	1/2002
JP	D1154927	10/2002
JP	D1174623	6/2003
JP	D1174710	6/2003
JP	D1185408	9/2003
JP	D1188267	10/2003
JP	D1191223	12/2003
JP	D1193941	1/2004
JP	D1211811	7/2004
JP	D1211812	7/2004

## OTHER PUBLICATIONS

“USB,” PC2000, p. 84, (May 2002).

\* cited by examiner

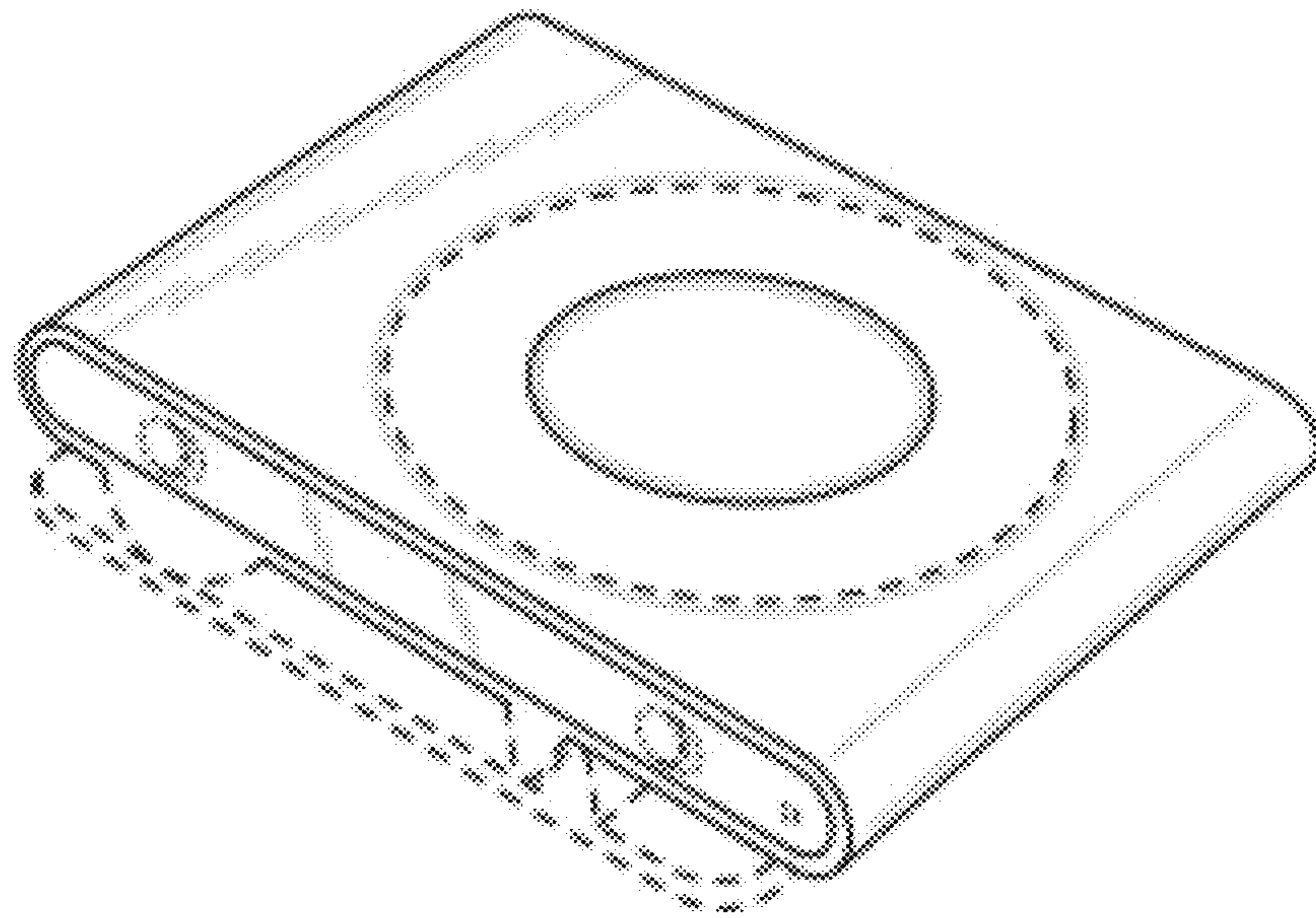


FIG. 1

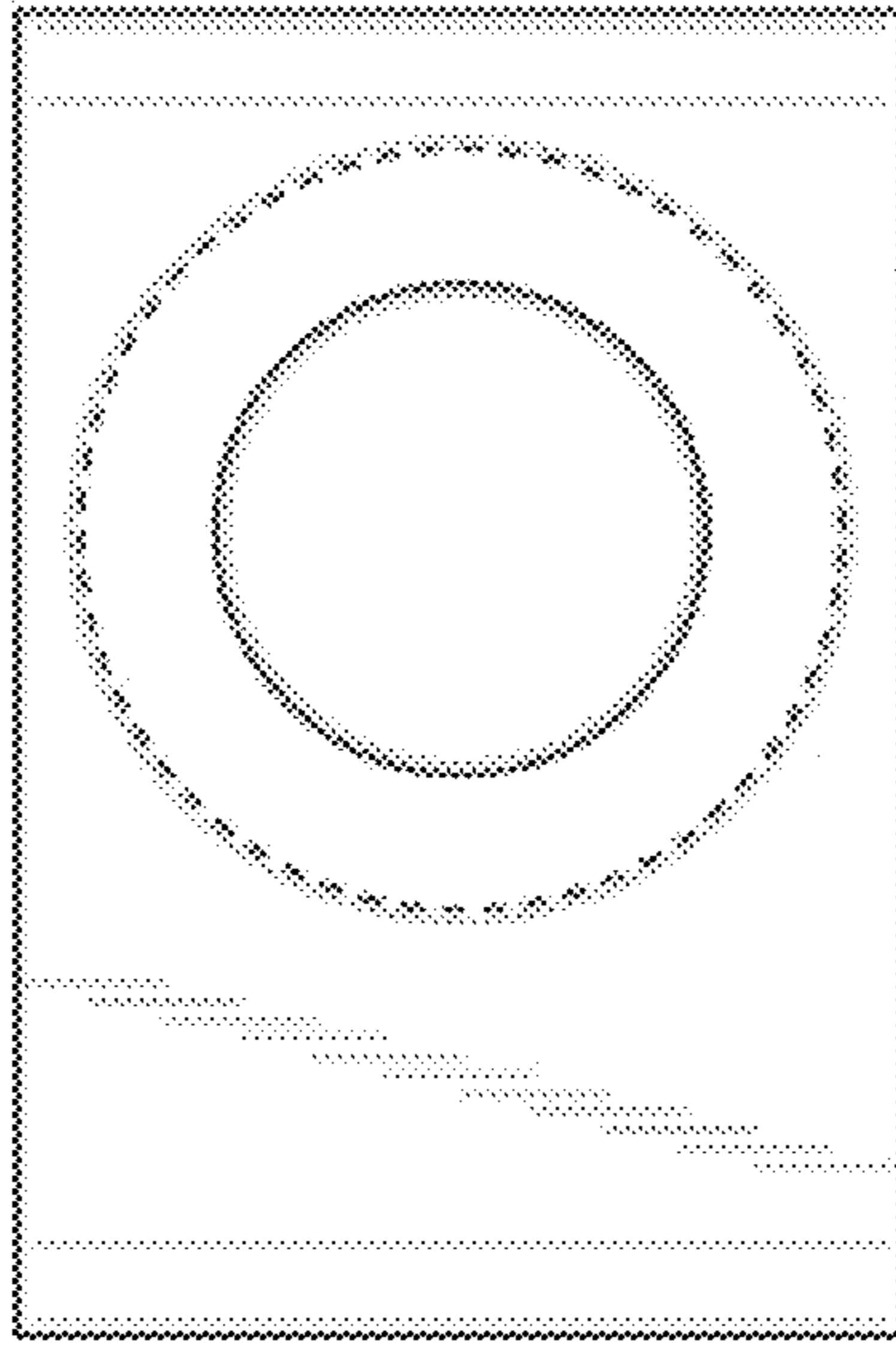


FIG. 2

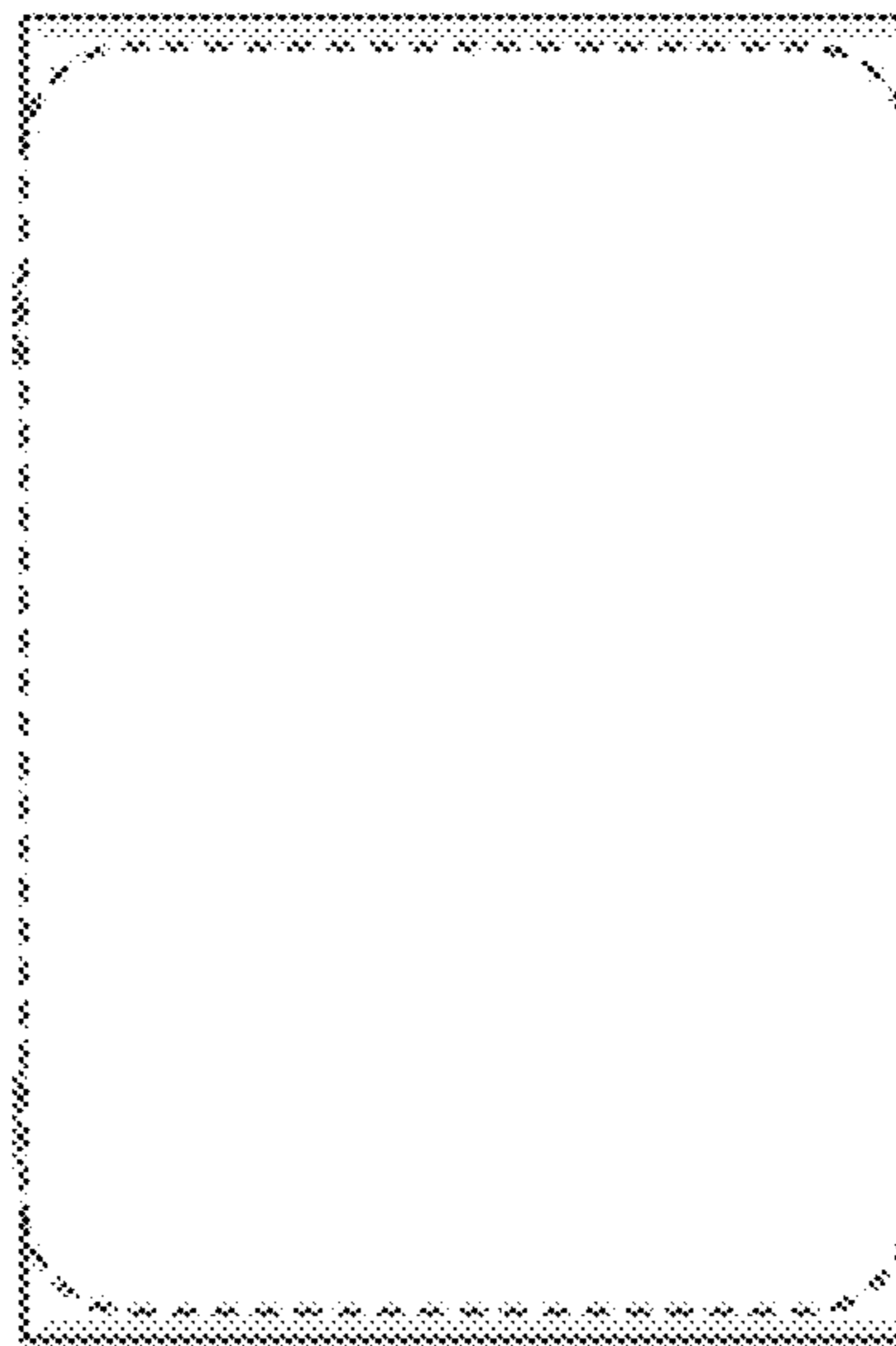


FIG. 3

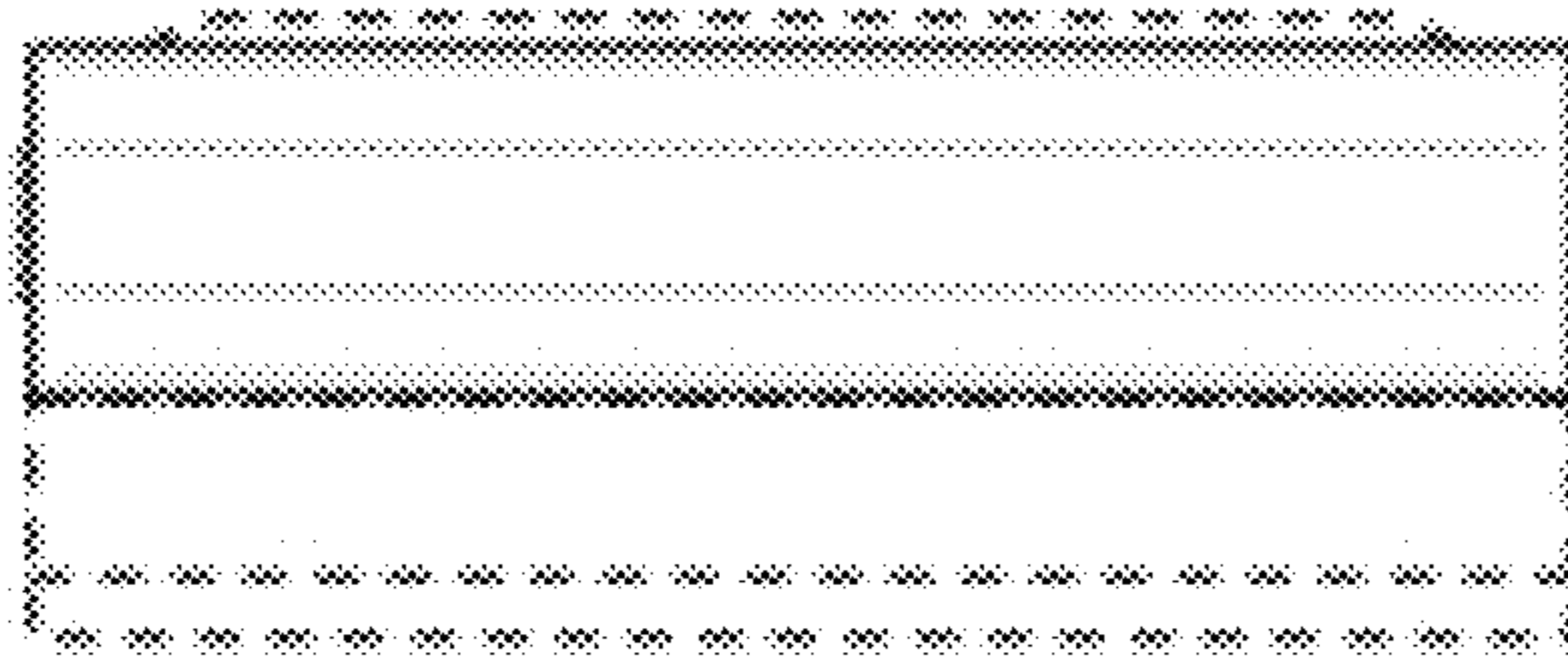


FIG. 4

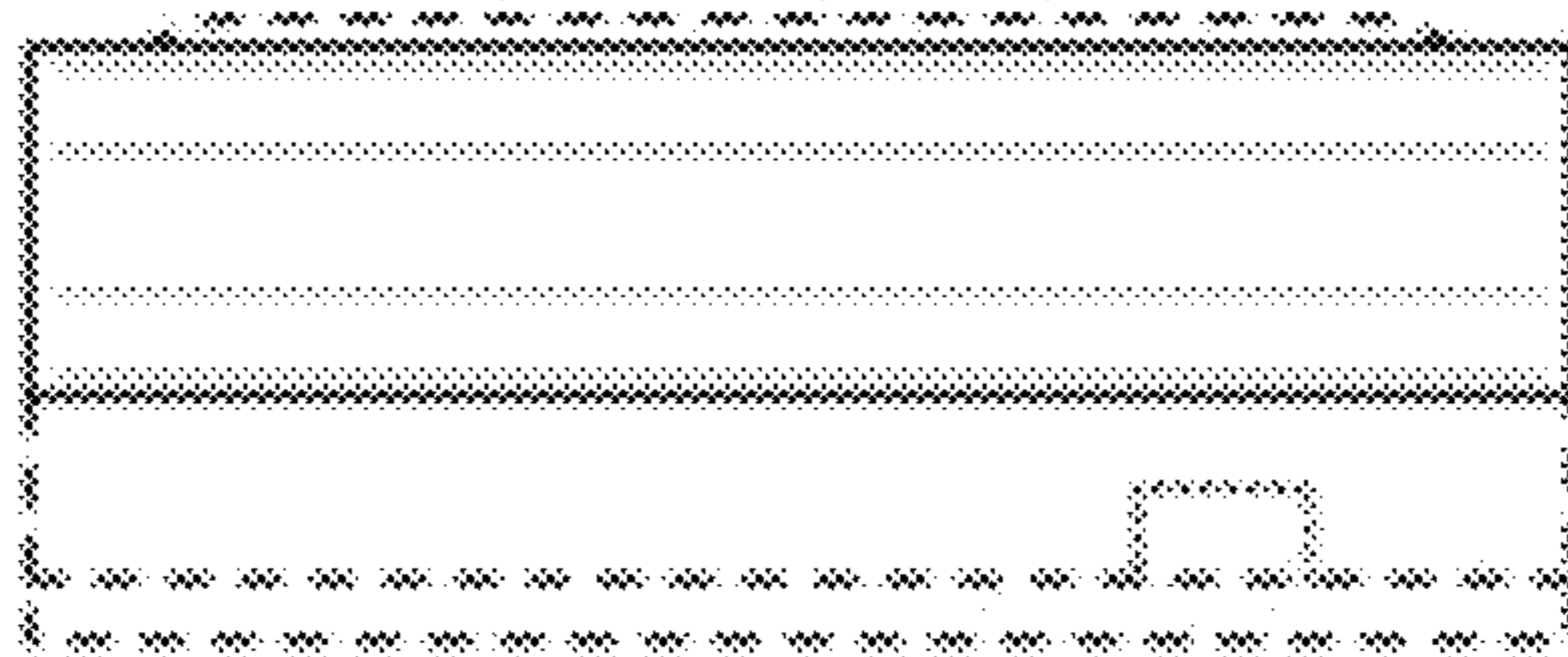


FIG. 5

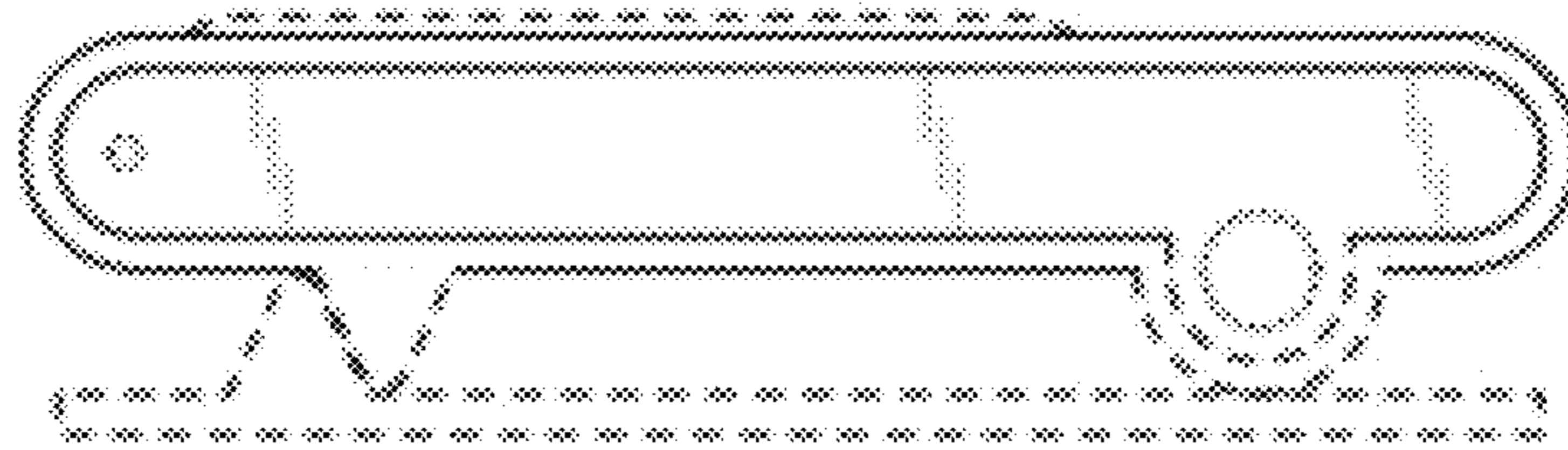


FIG. 6

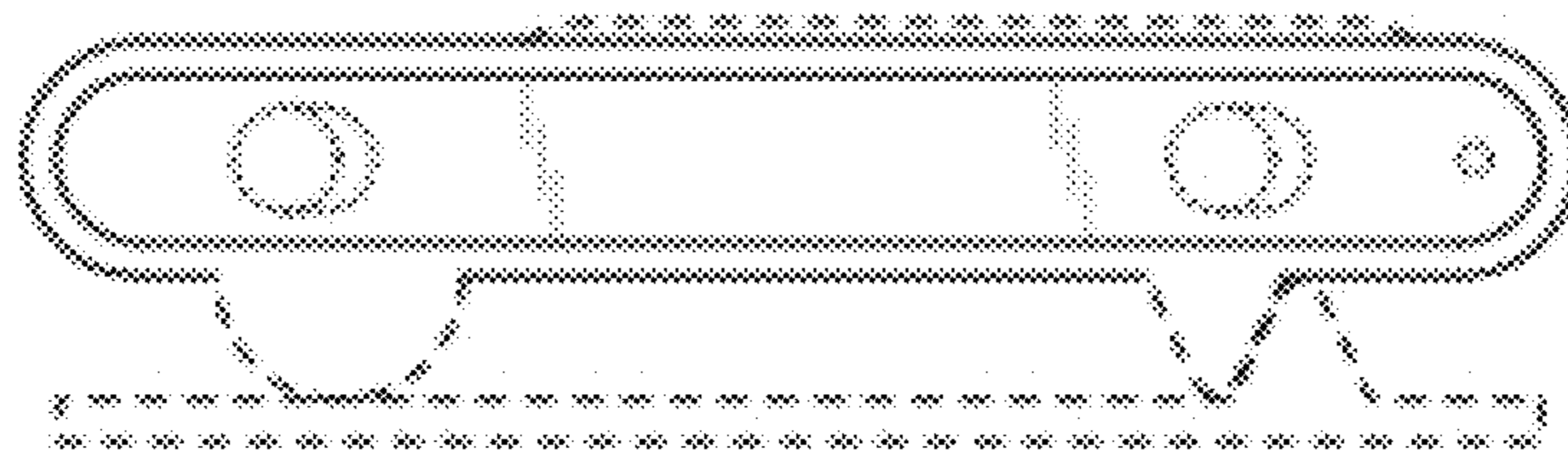


FIG. 7