



US00D659699S

(12) **United States Design Patent**  
**Conner**

(10) **Patent No.:** **US D659,699 S**  
(45) **Date of Patent:** **\*\* May 15, 2012**

(54) **SUPPORT FOR A COMPUTER-RELATED ACCESSORY**

(75) Inventor: **John P. Conner**, Grandville, MI (US)

(73) Assignee: **Altus Industries, Inc.**, Walker, MI (US)

(\*\*) Term: **14 Years**

(21) Appl. No.: **29/362,855**

(22) Filed: **Jun. 1, 2010**

(51) **LOC (9) Cl.** ..... **14-02**

(52) **U.S. Cl.** ..... **D14/452**

(58) **Field of Classification Search** ..... D14/452,  
D14/451, 448, 447, 239; D8/349, 363, 373,  
D8/380, 340; 248/917-924, 122.1, 124.1,  
248/125.8, 371, 393, 157, 425, 176.1, 186.1;  
361/679.02, 679.04, 679.05, 679.06, 679.07,  
361/679.21, 679.22; D11/13; D12/123;  
59/5, 84, 87

See application file for complete search history.

(56) **References Cited**

**U.S. PATENT DOCUMENTS**

4,633,324 A *	12/1986	Giulie .....	348/842
D477,606 S *	7/2003	Theis et al. ....	D14/451
D508,917 S *	8/2005	Wills et al. ....	D14/452
D520,017 S *	5/2006	van Kuijk et al. ....	D14/452
D542,168 S *	5/2007	So et al. ....	D11/13
D542,688 S *	5/2007	So et al. ....	D11/13
D543,477 S *	5/2007	So et al. ....	D11/13
D545,234 S *	6/2007	Sogoyan .....	D11/13
D547,687 S *	7/2007	So et al. ....	D11/13

D574,679 S *	8/2008	Denby .....	D8/8
D580,742 S *	11/2008	Short .....	D8/363
D611,479 S *	3/2010	Hau et al. ....	D14/452
D632,301 S *	2/2011	Kasuga et al. ....	D14/452

\* cited by examiner

*Primary Examiner* — Angela J Lee

(74) *Attorney, Agent, or Firm* — McGarry Bair PC

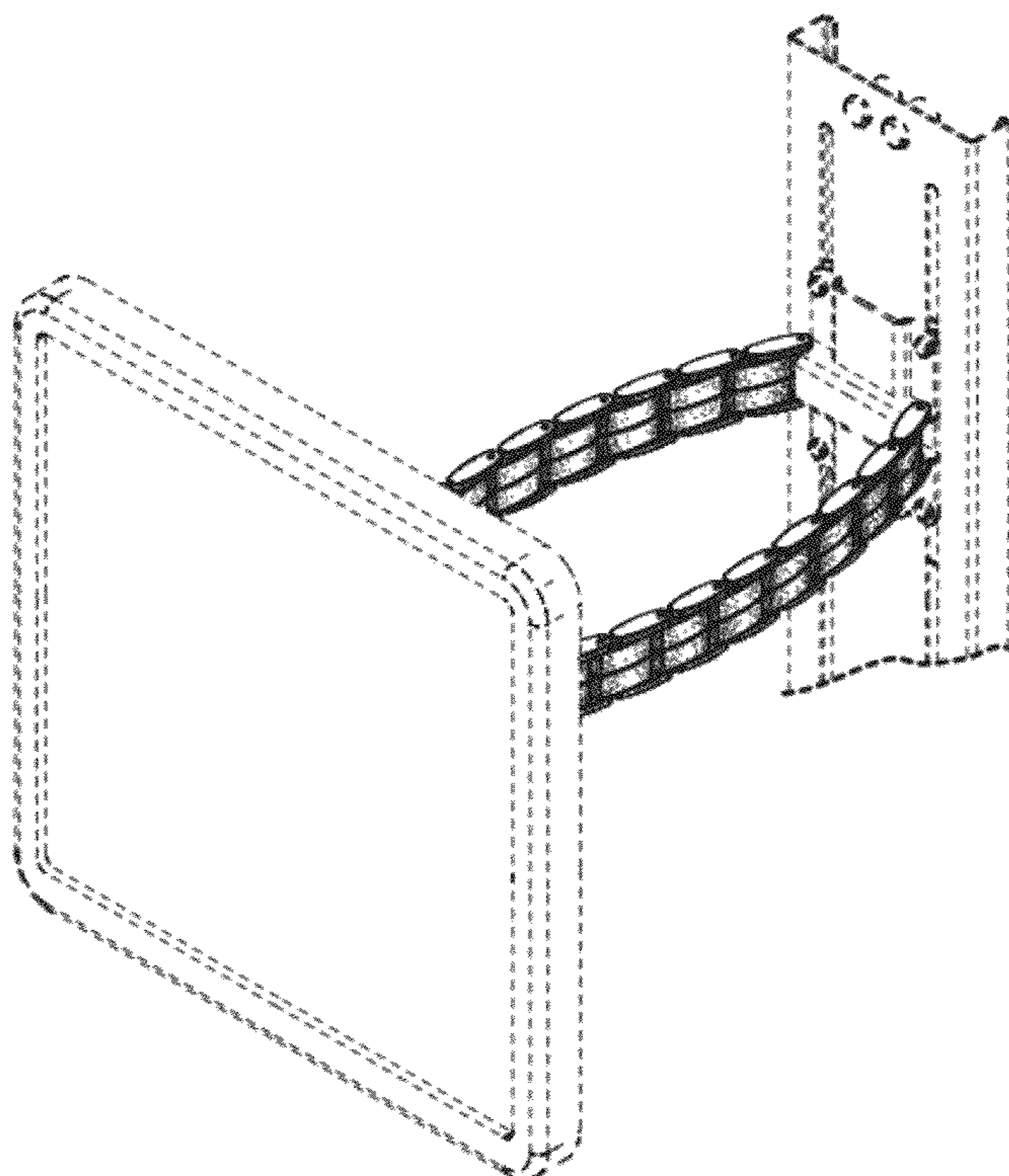
(57) **CLAIM**

The ornamental design for a support for a computer-related accessory, as shown and described.

**DESCRIPTION**

FIG. 1 is a perspective view of a support for a computer-related accessory, which embodies the design, shown with respect to a wall-mounted monitor;  
FIG. 2 is a right side view thereof;  
FIG. 3 is a top view thereof;  
FIG. 4 is a perspective view support for a computer-related accessory, shown with respect to a worksurface-mounted monitor;  
FIG. 5 is a right side view thereof;  
FIG. 6 is a top view thereof;  
FIG. 7 is a perspective view support for a computer-related accessory, shown with respect to a keyboard tray;  
FIG. 8 is a right side view thereof; and,  
FIG. 9 is a top view thereof.  
The broken line showing of environmental structure forms no part of the claimed design.

**1 Claim, 9 Drawing Sheets**



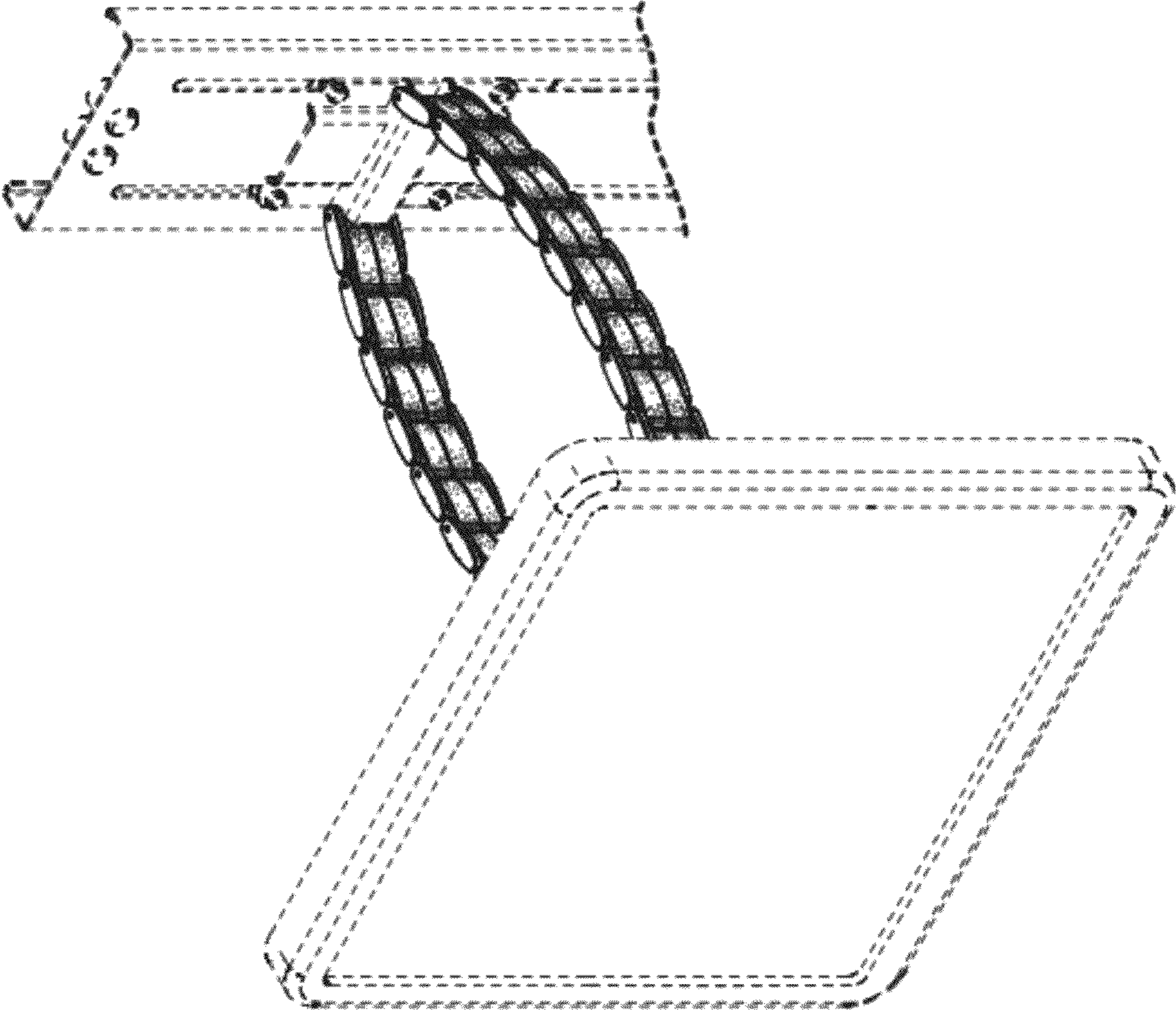


Fig. 1



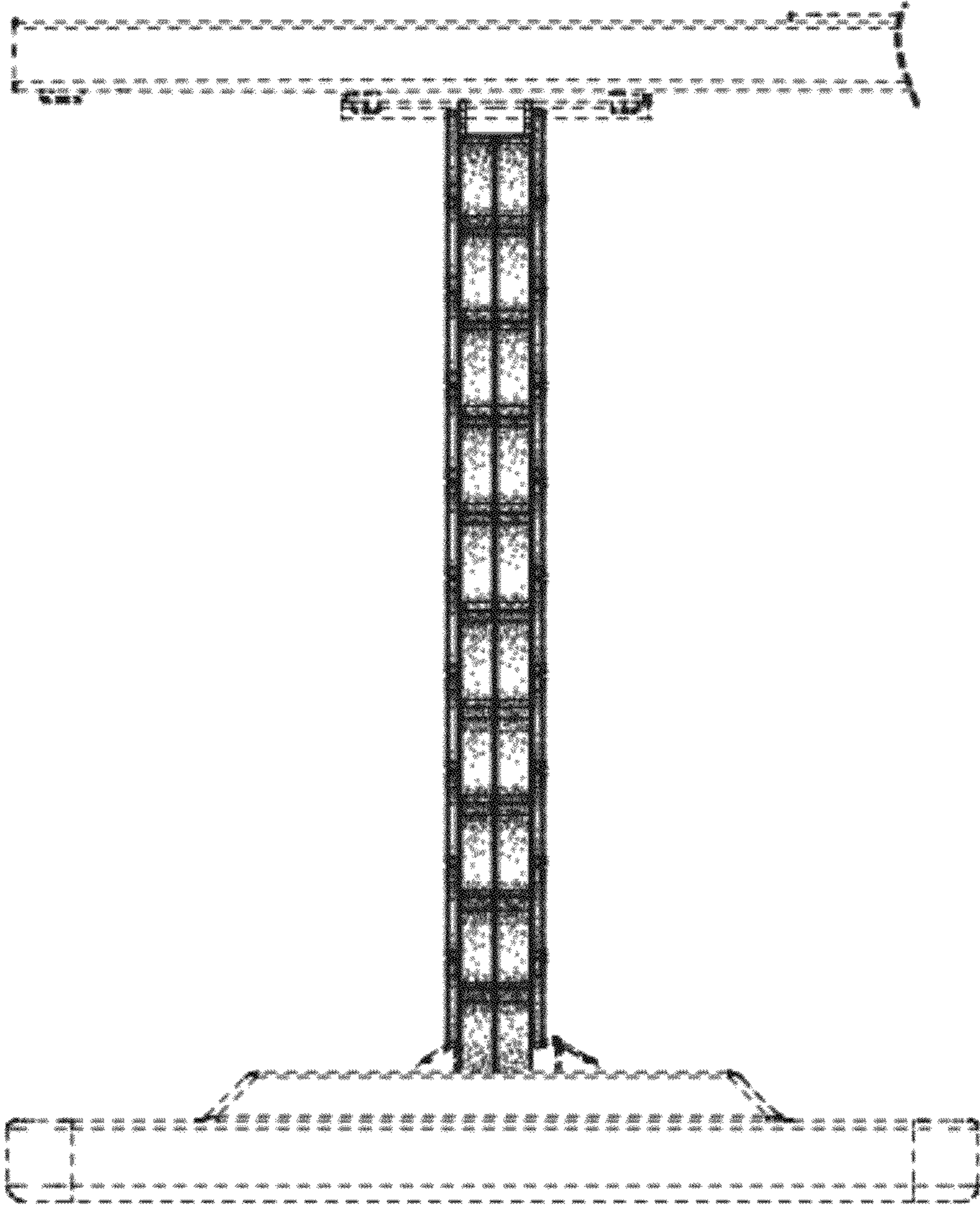


Fig. 2

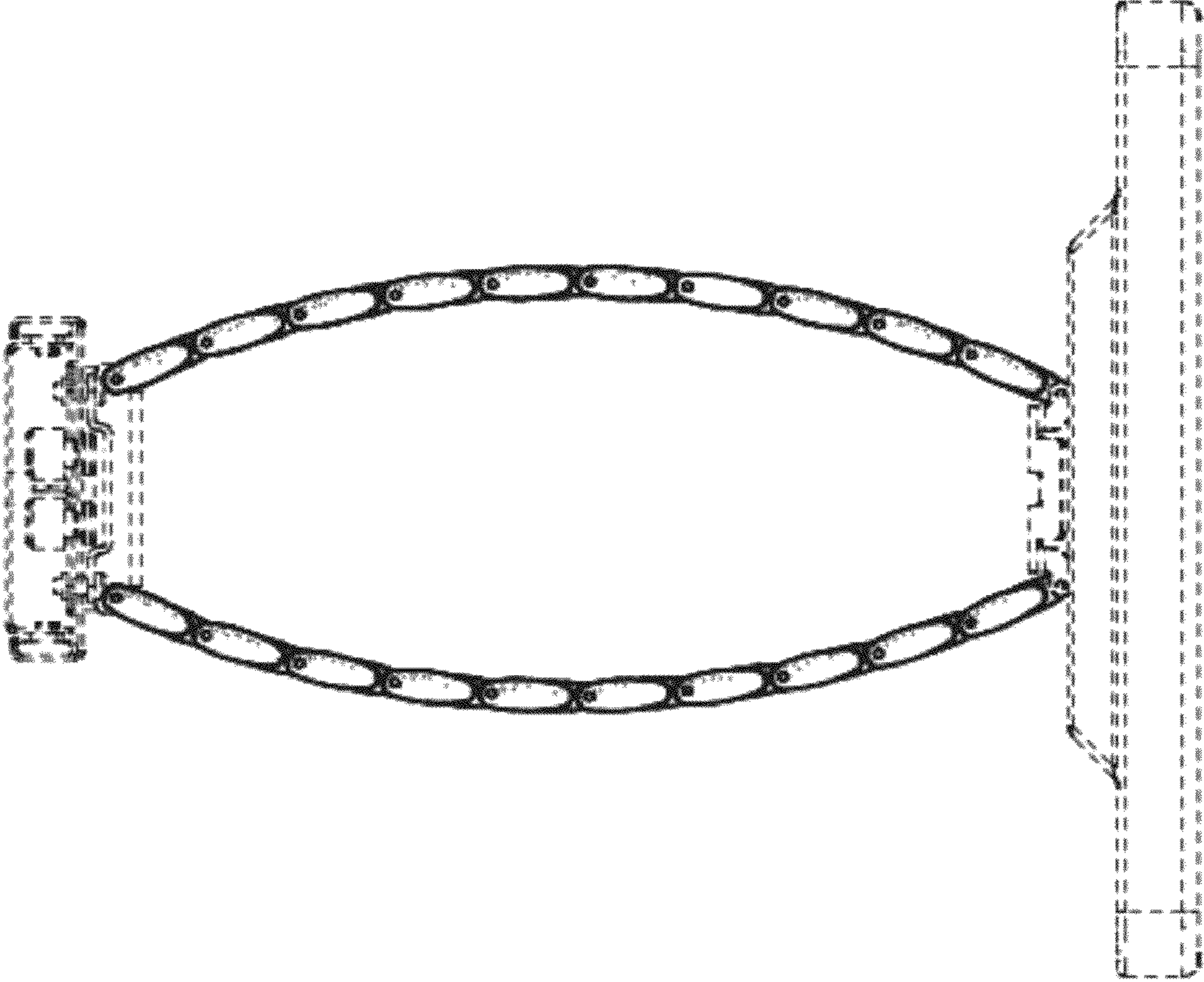


Fig. 3

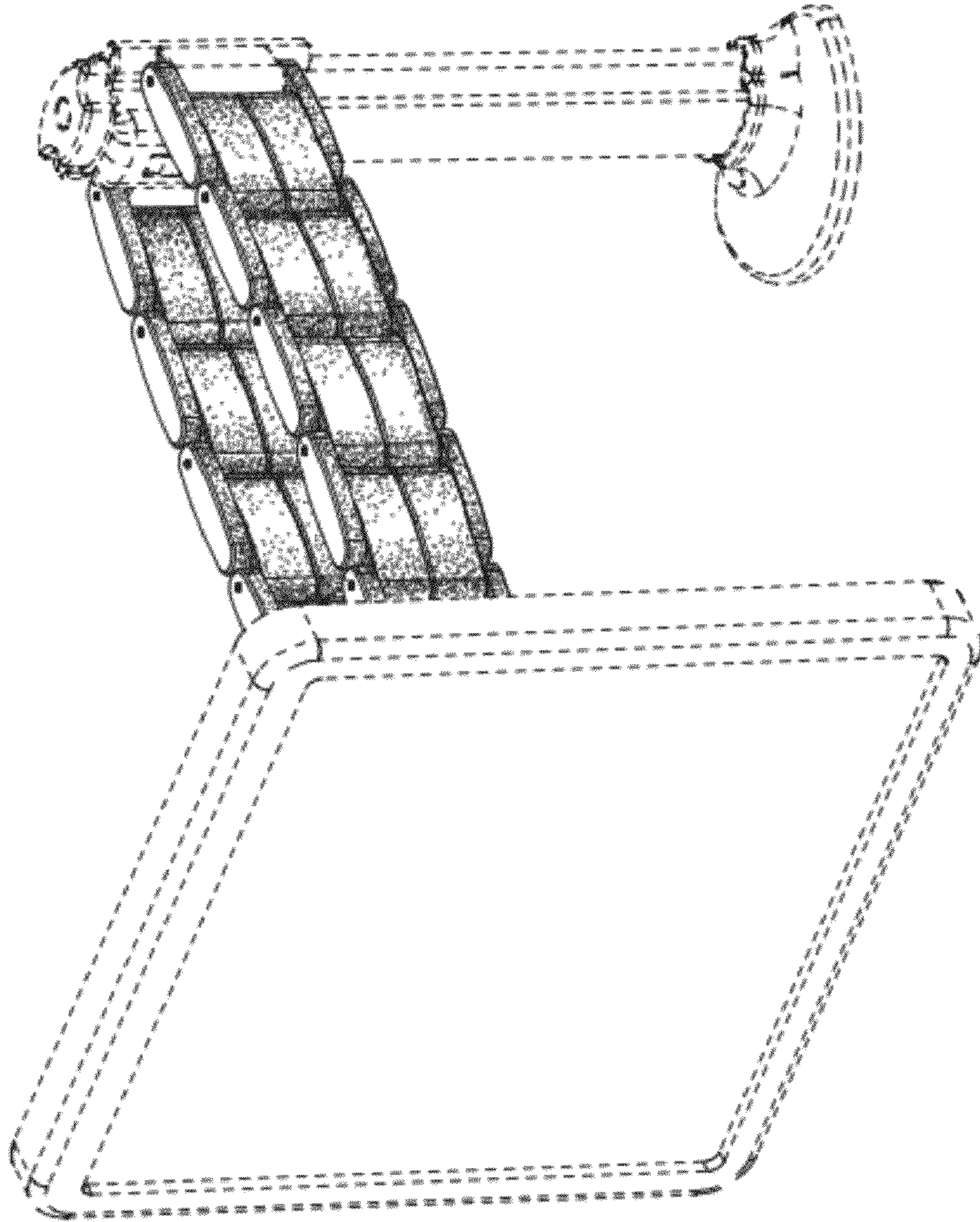


Fig. 4



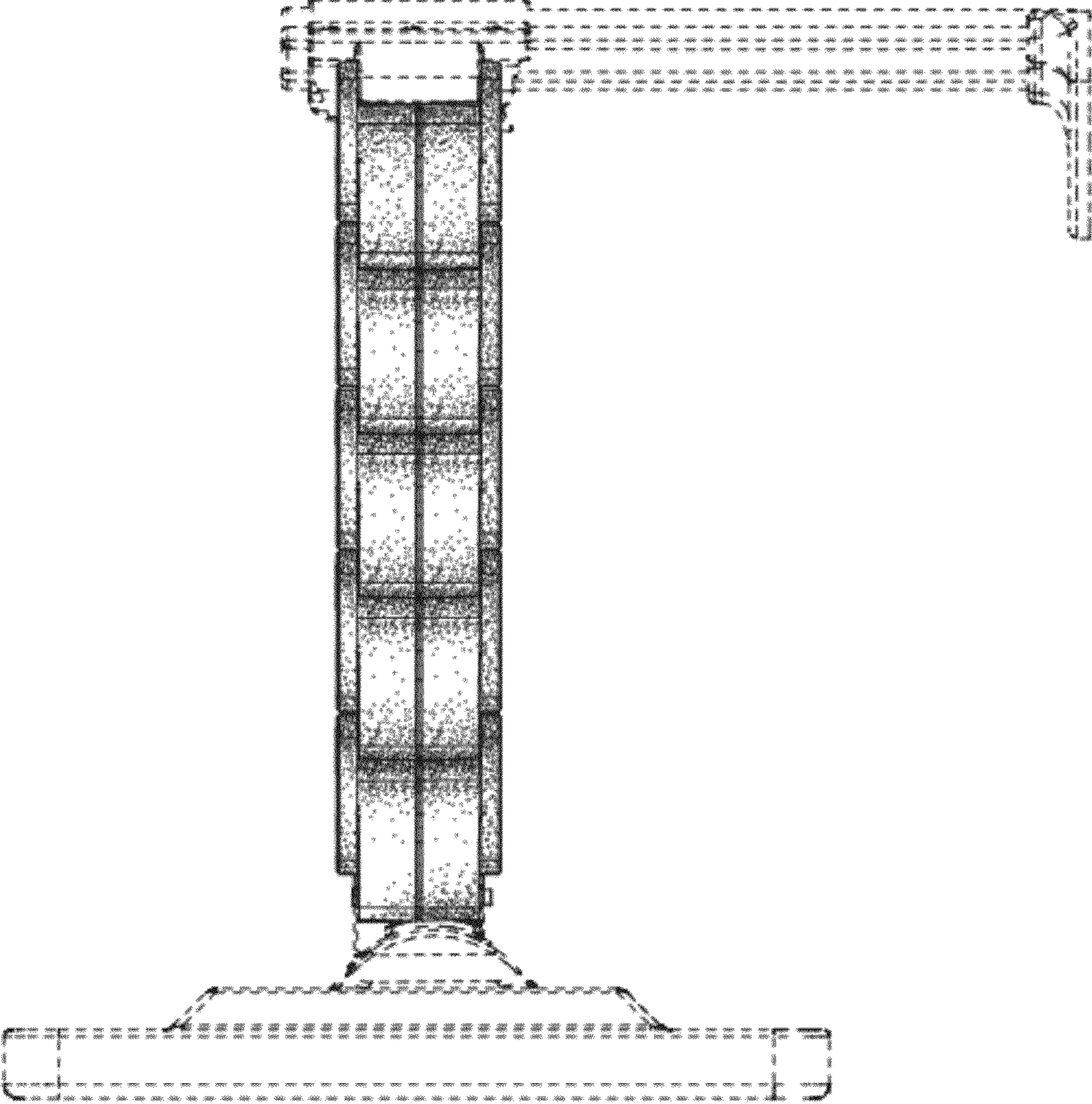


Fig. 5

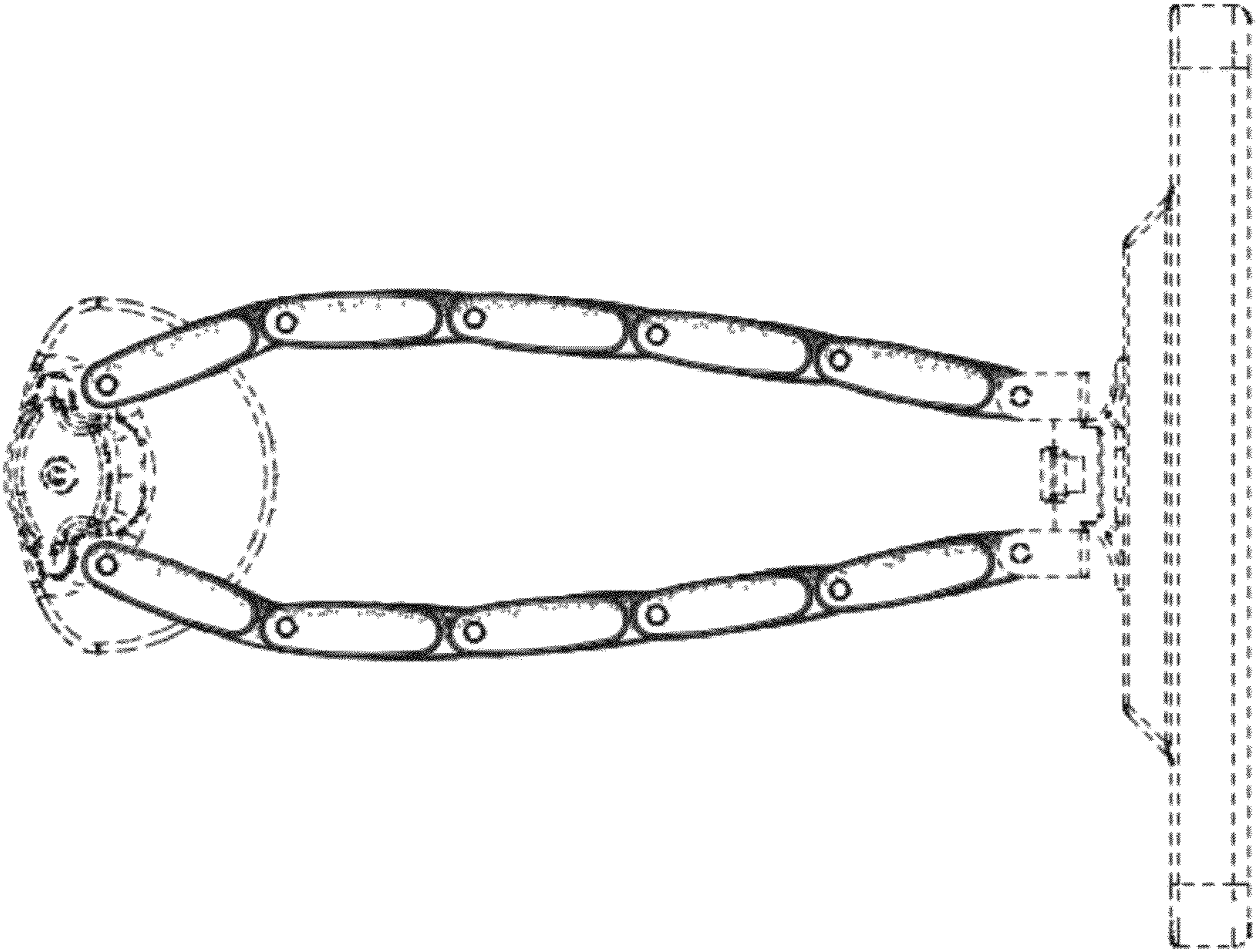


Fig. 6



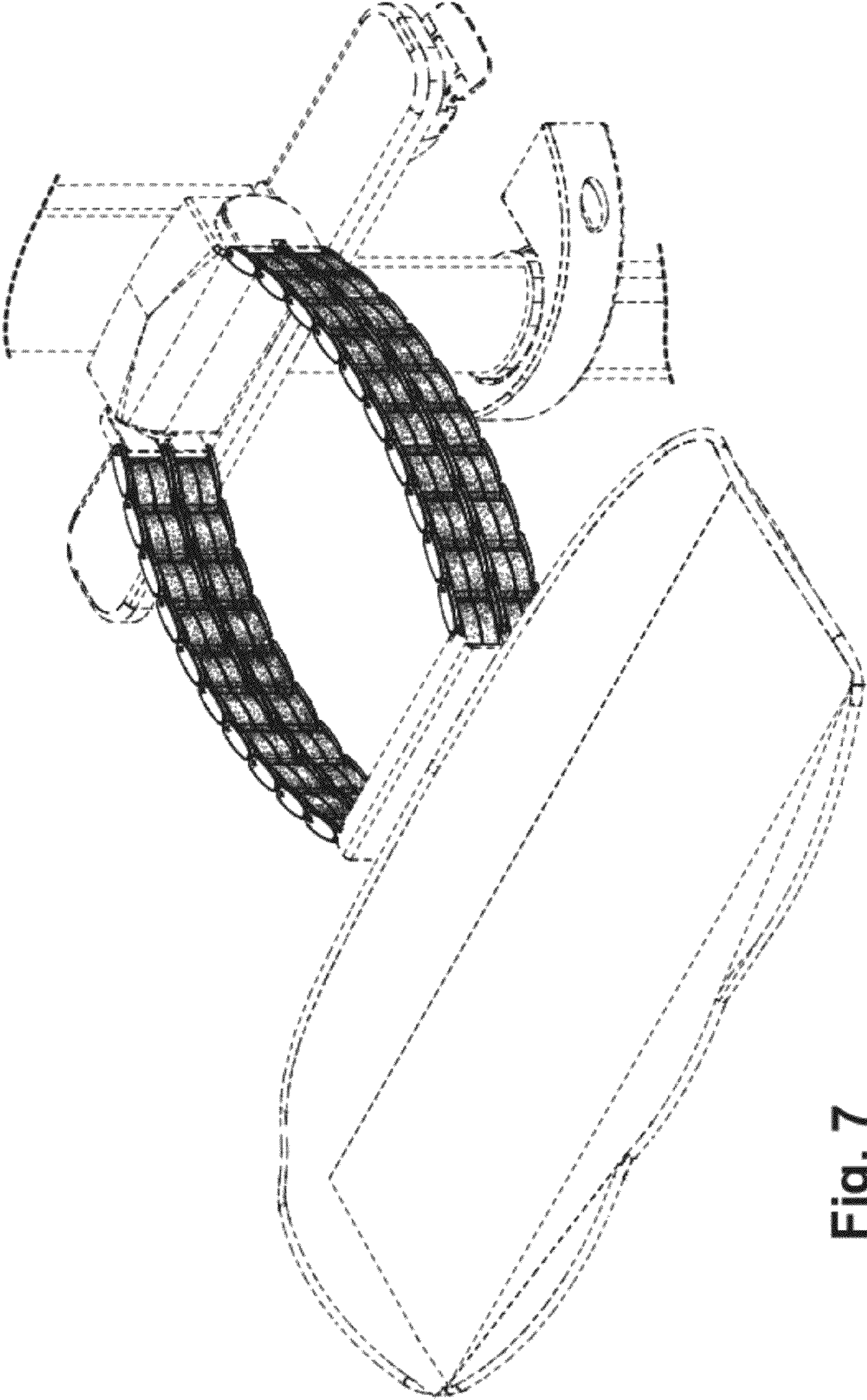


Fig. 7



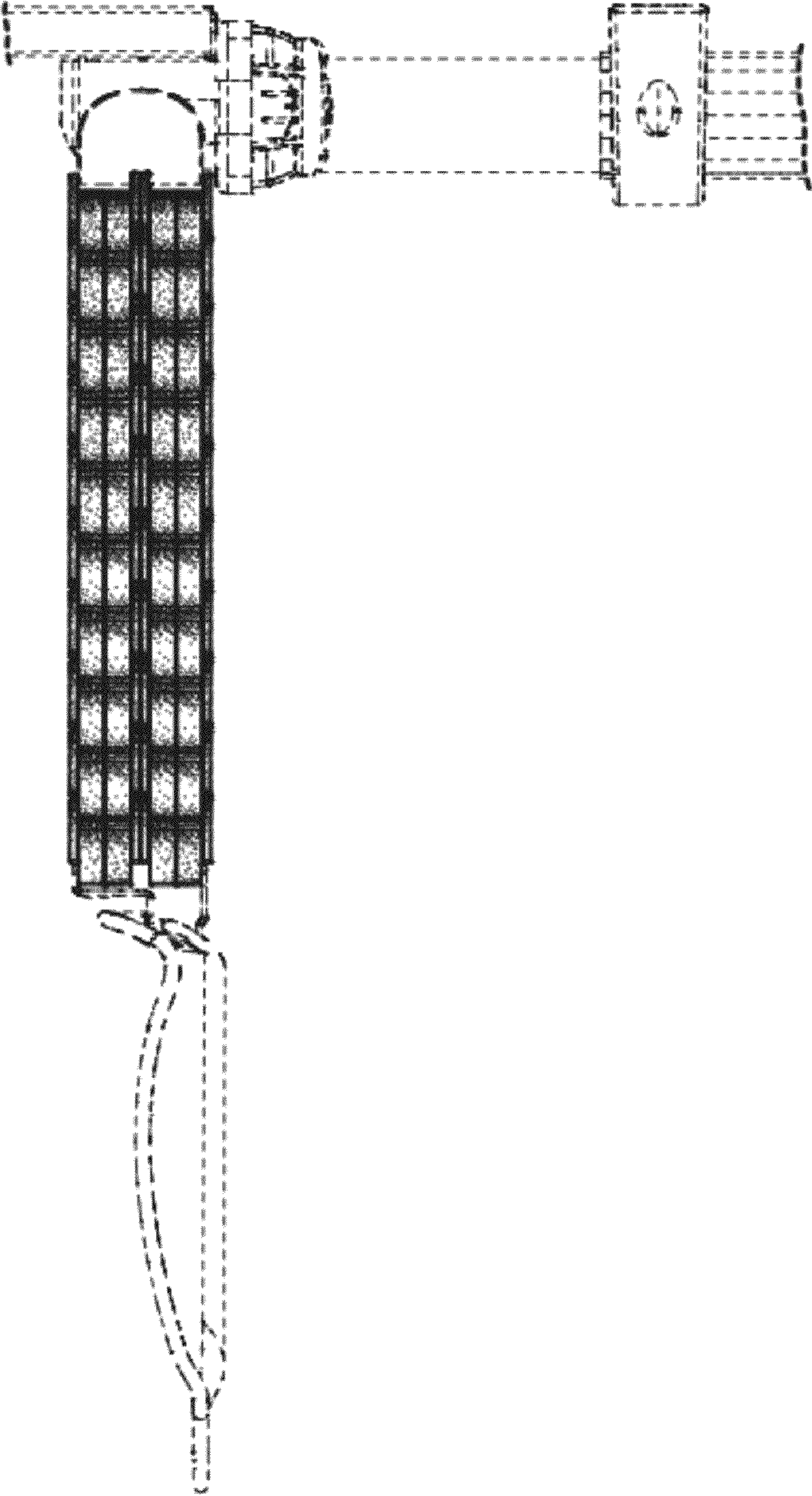


Fig. 8

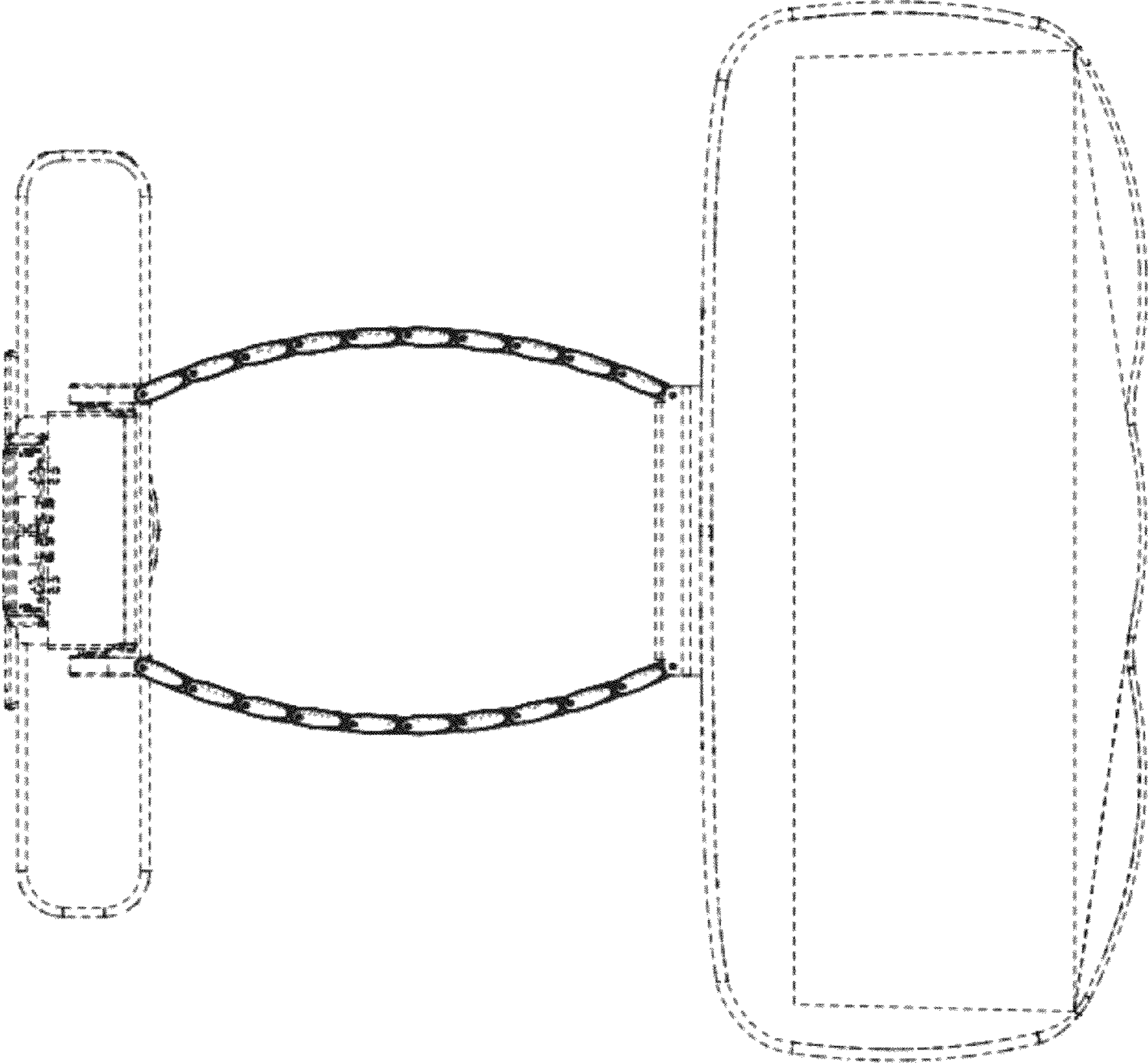


Fig. 9