



US00D659695S

(12) **United States Design Patent**
Chen

(10) **Patent No.:** **US D659,695 S**

(45) **Date of Patent:** **** May 15, 2012**

(54) **MOUSE**

(75) Inventor: **Chih-Chung Chen**, New Taipei (TW)

(73) Assignee: **Cheng Uei Precision Industry Co., Ltd.**, New Taipei (TW)

(**) Term: **14 Years**

(21) Appl. No.: **29/403,642**

(22) Filed: **Oct. 7, 2011**

(51) **LOC (9) Cl.** **14-02**

(52) **U.S. Cl.** **D14/409**

(58) **Field of Classification Search** D14/402-411,
D14/356, 388, 389, 383-385, 417, 426;
345/156-167; 463/36-38; 358/471, 473;
273/148 B

See application file for complete search history.

(56) **References Cited**

U.S. PATENT DOCUMENTS

D575,286 S * 8/2008 Wu D14/409
D582,415 S * 12/2008 Manalo D14/406

D594,458 S * 6/2009 Manalo et al. D14/406
D594,459 S * 6/2009 Manalo et al. D14/406
D596,180 S * 7/2009 Manalo et al. D14/406
D607,452 S * 1/2010 Manalo et al. D14/402
D618,685 S * 6/2010 Haase et al. D14/409

* cited by examiner

Primary Examiner — Austin Murphy

(74) *Attorney, Agent, or Firm* — Cheng-Ju Chiang

(57) **CLAIM**

The ornamental design for a mouse, as shown and described.

DESCRIPTION

FIG. 1 is a perspective view of a mouse showing my new design;

FIG. 2 is a front elevational view thereof;

FIG. 3 is a rear elevational view thereof;

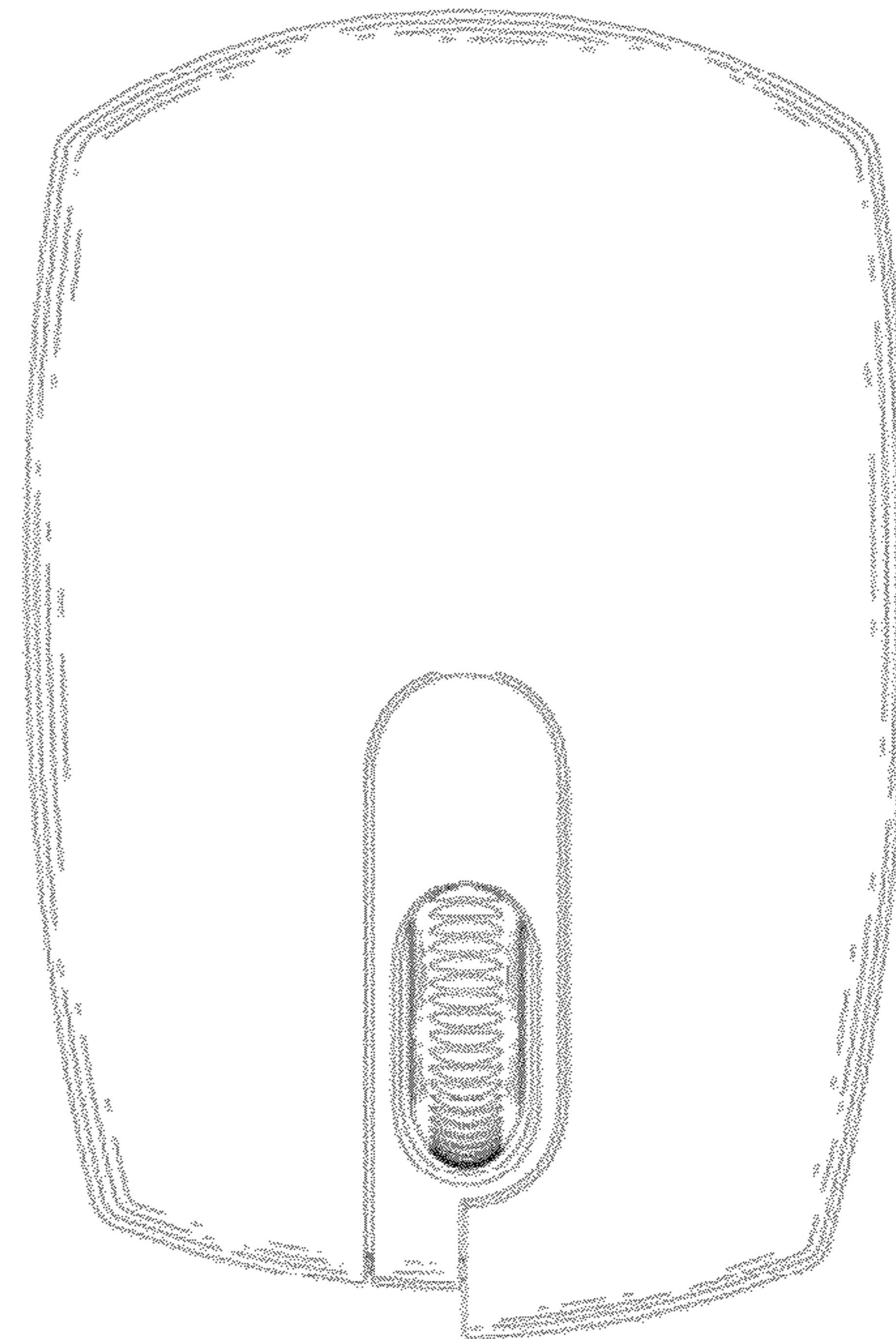
FIG. 4 is a left side elevational view thereof;

FIG. 5 is a right side elevational view thereof;

FIG. 6 is a top plan view thereof; and,

FIG. 7 is a bottom plan view thereof.

1 Claim, 7 Drawing Sheets



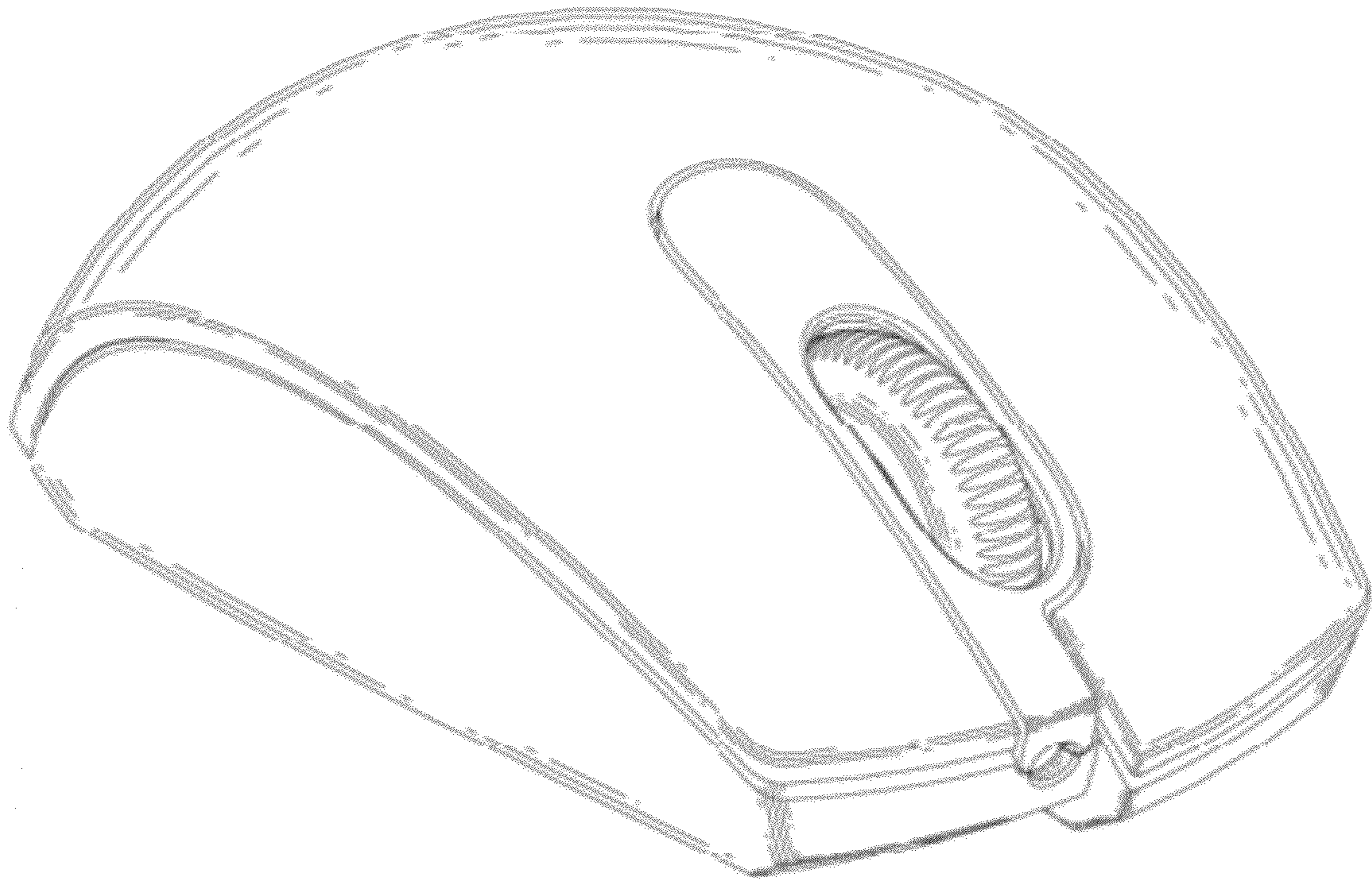


FIG. 1

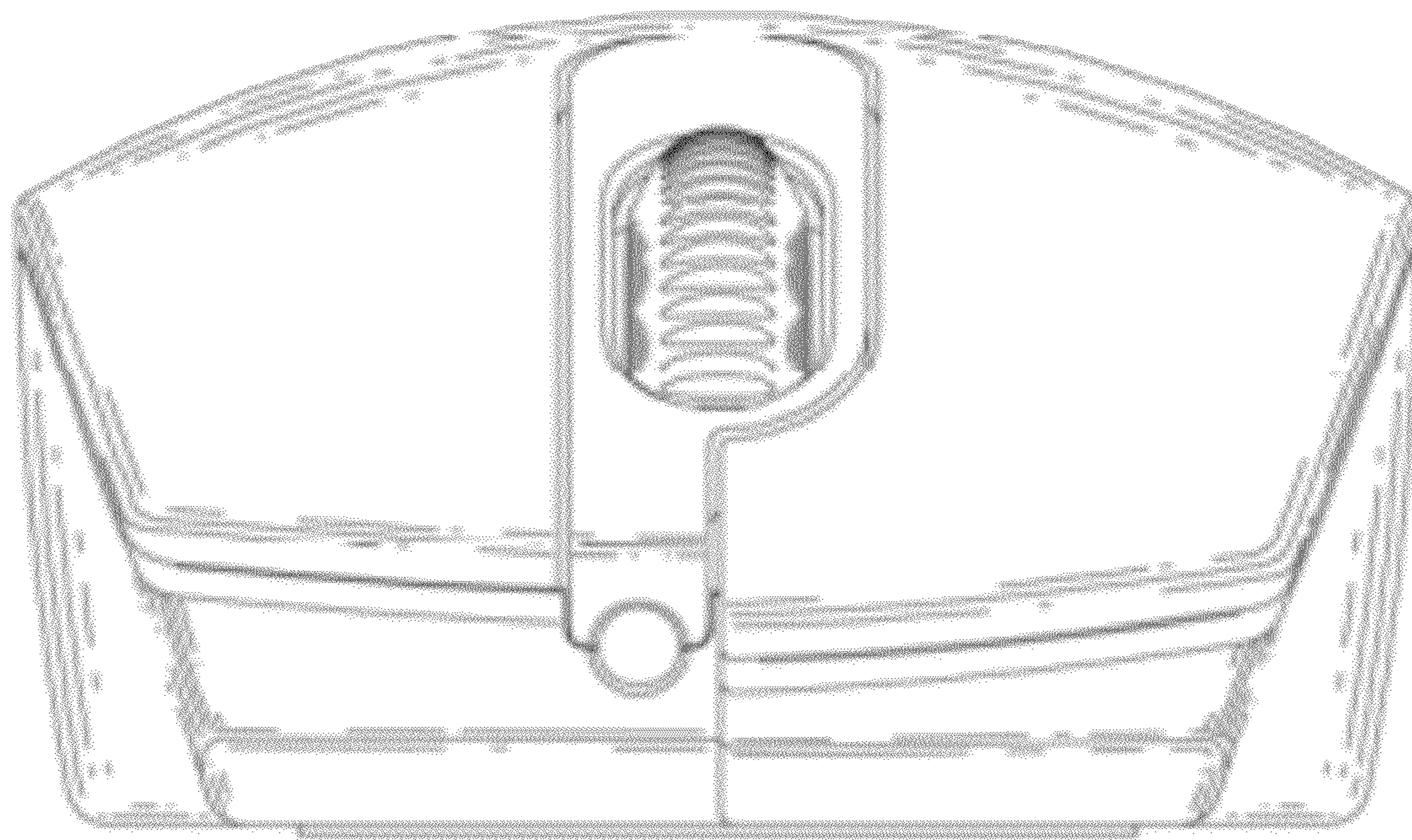


FIG. 2



FIG. 3



FIG. 4

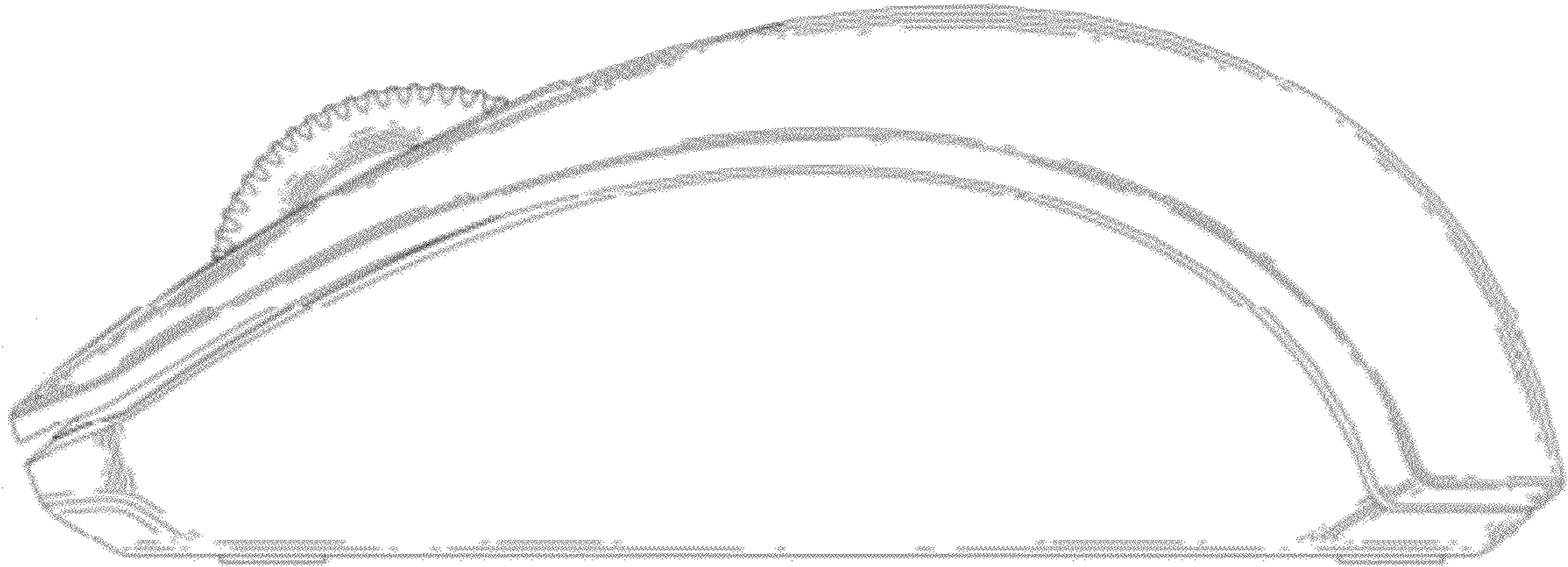


FIG. 5

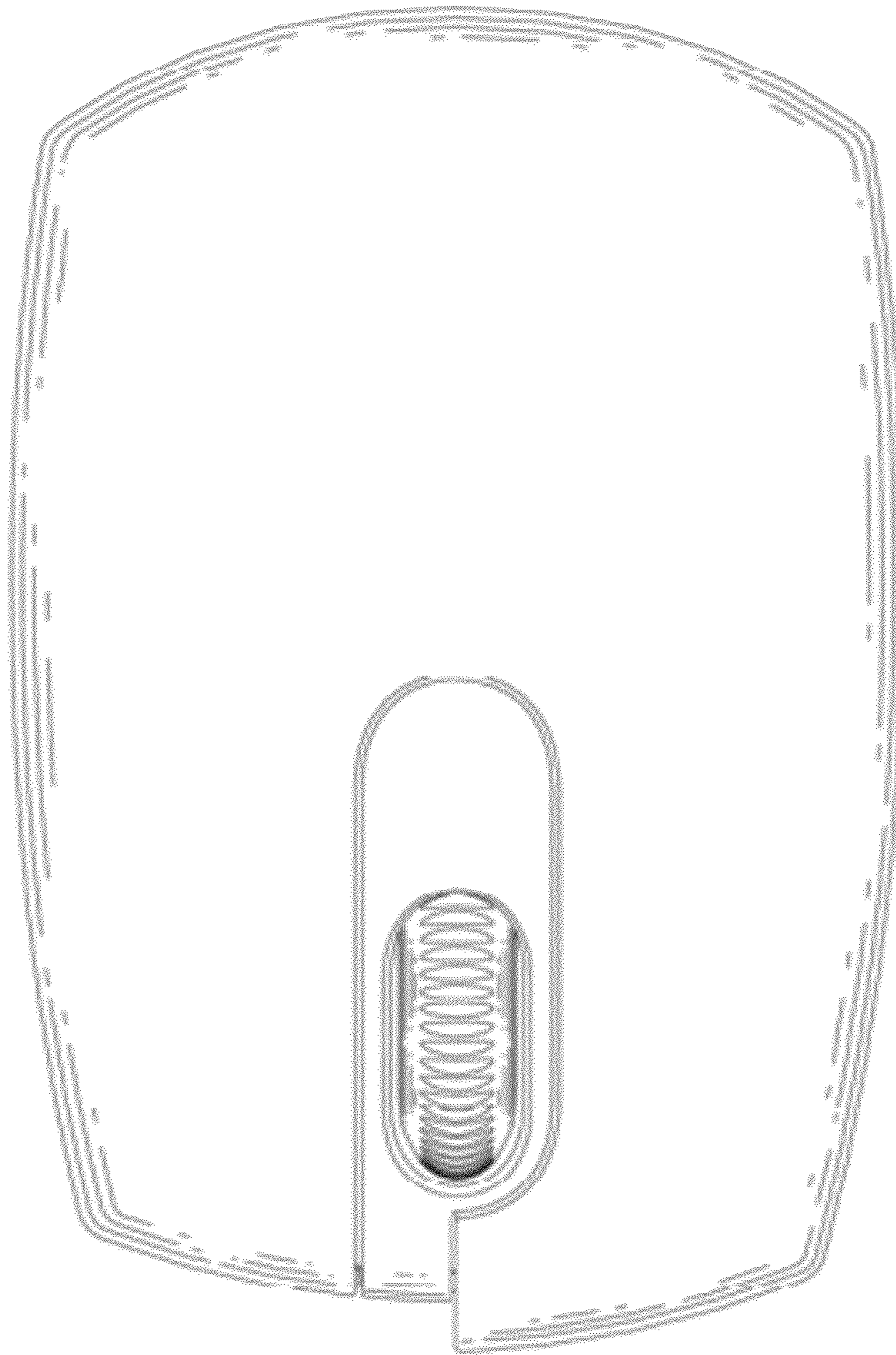


FIG. 6

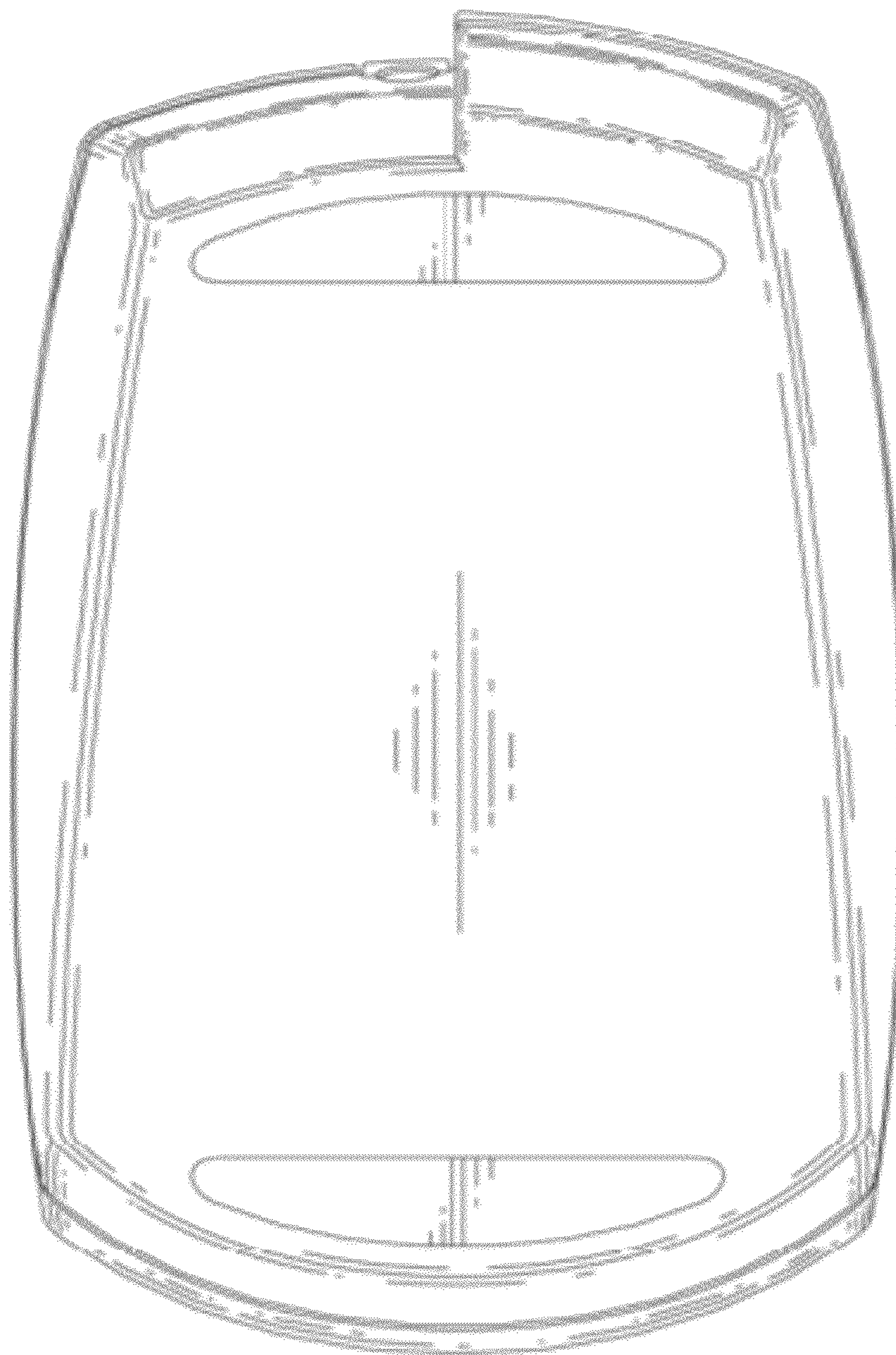


FIG. 7