



US00D659688S

(12) **United States Design Patent**  
**Huang et al.**

(10) **Patent No.:** **US D659,688 S**

(45) **Date of Patent:** **\*\* May 15, 2012**

(54) **MULTI-BAND ANTENNA**

(75) Inventors: **Yi-Feng Huang**, New Taipei (TW);  
**Jia-Hung Su**, New Taipei (TW); **Kai Shih**, New Taipei (TW); **Feng-Ming Hsu**, New Taipei (TW)

(73) Assignee: **Cheng Uei Precision Industry Co., Ltd.**, New Taipei (TW)

(\*\*) Term: **14 Years**

(21) Appl. No.: **29/404,086**

(22) Filed: **Oct. 14, 2011**

(51) **LOC (9) Cl.** ..... **14-03**

(52) **U.S. Cl.** ..... **D14/230**

(58) **Field of Classification Search** ..... D14/138,  
D14/230-238, 299, 358; D12/42, 43; 343/700 MS,  
343/700 R-705, 711-713, 735, 736, 741,  
343/748, 767, 795, 819, 840, 846, 866, 871-908;  
455/90.2, 90.3, 91, 128, 269, 344, 347, 562.1;  
333/193, 195

See application file for complete search history.

(56) **References Cited**

**U.S. PATENT DOCUMENTS**

D534,902 S \* 1/2007 Su et al. .... D14/230  
D592,195 S \* 5/2009 Wu et al. .... D14/230

D603,850 S \* 11/2009 Wu et al. .... D14/230  
D605,640 S \* 12/2009 Wu et al. .... D14/230  
D608,354 S \* 1/2010 Yang et al. .... D14/230  
D618,223 S \* 6/2010 Tsai et al. .... D14/230  
D633,483 S \* 3/2011 Su et al. .... D14/230  
7,965,239 B2 \* 6/2011 Yang et al. .... 343/700 MS  
D649,534 S \* 11/2011 Mi et al. .... D14/230  
2009/0002244 A1 \* 1/2009 Woo ..... 343/702

\* cited by examiner

*Primary Examiner* — John Windmuller

(74) *Attorney, Agent, or Firm* — Cheng-Ju Chiang

(57) **CLAIM**

The ornamental design for a multi-band antenna, as shown and described.

**DESCRIPTION**

FIG. 1 is a perspective view of a multi-band antenna showing our new design;

FIG. 2 is a front elevational view thereof;

FIG. 3 is a rear elevational view thereof;

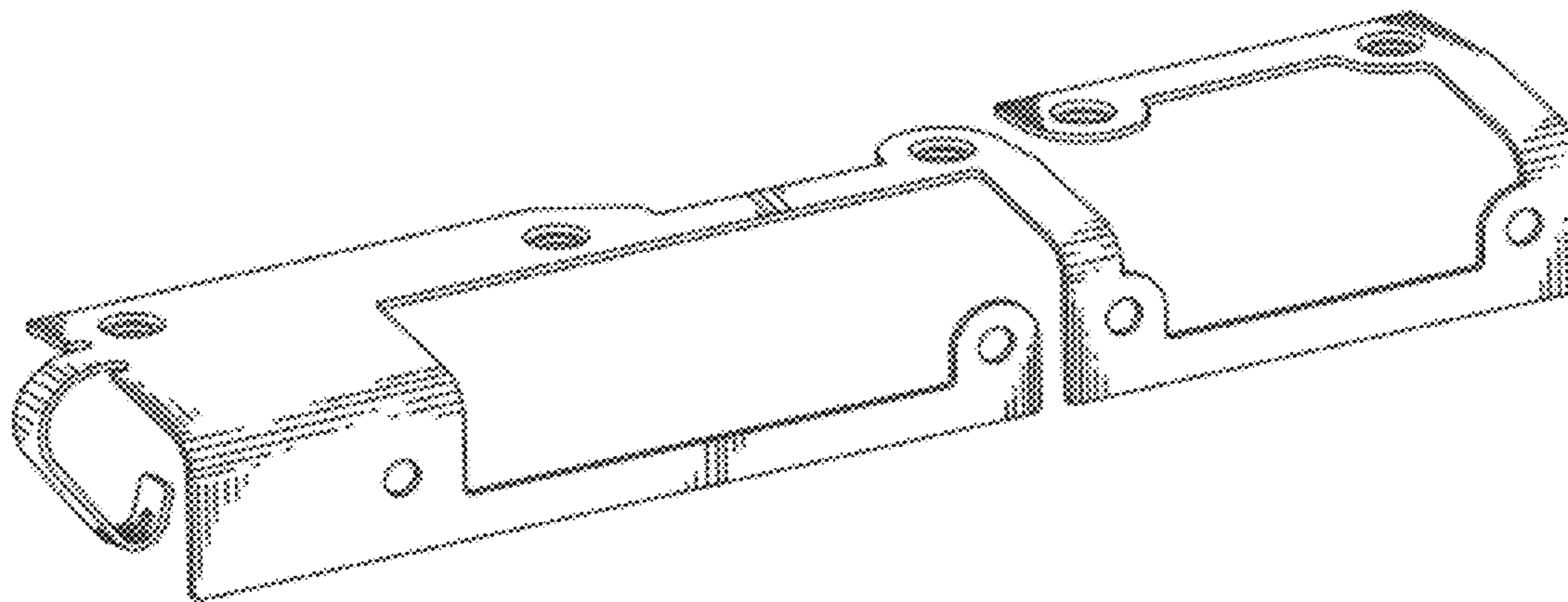
FIG. 4 is a left side elevational view thereof;

FIG. 5 is a right side elevational view thereof;

FIG. 6 is a top plan view thereof; and,

FIG. 7 is a bottom plan view thereof.

**1 Claim, 7 Drawing Sheets**



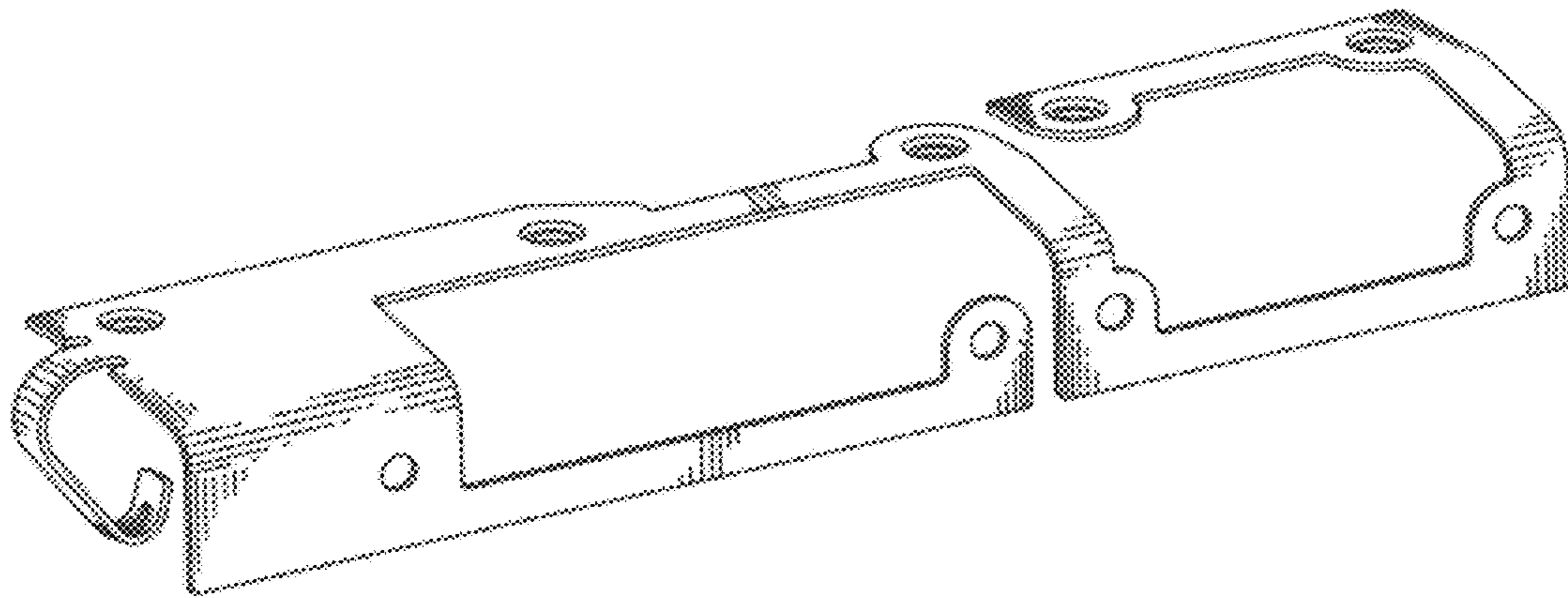


FIG. 1

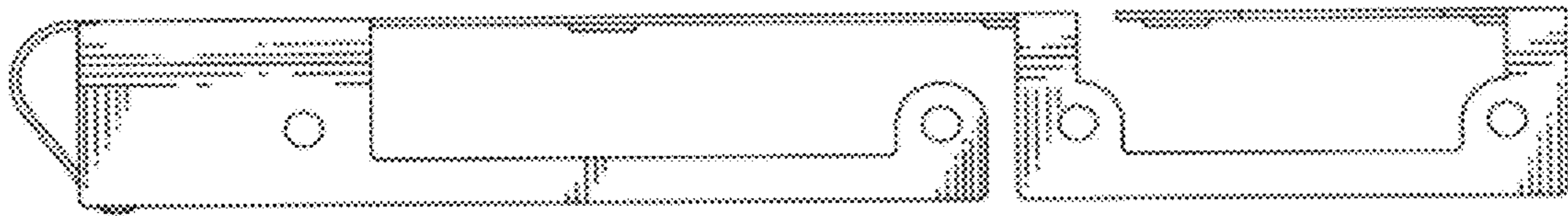


FIG. 2

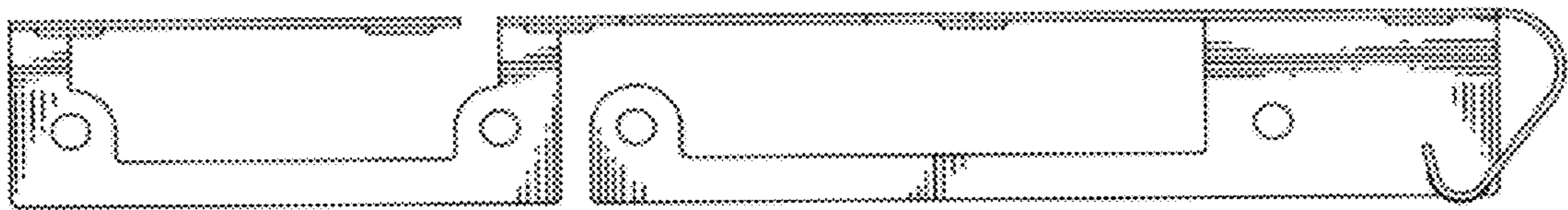


FIG. 3

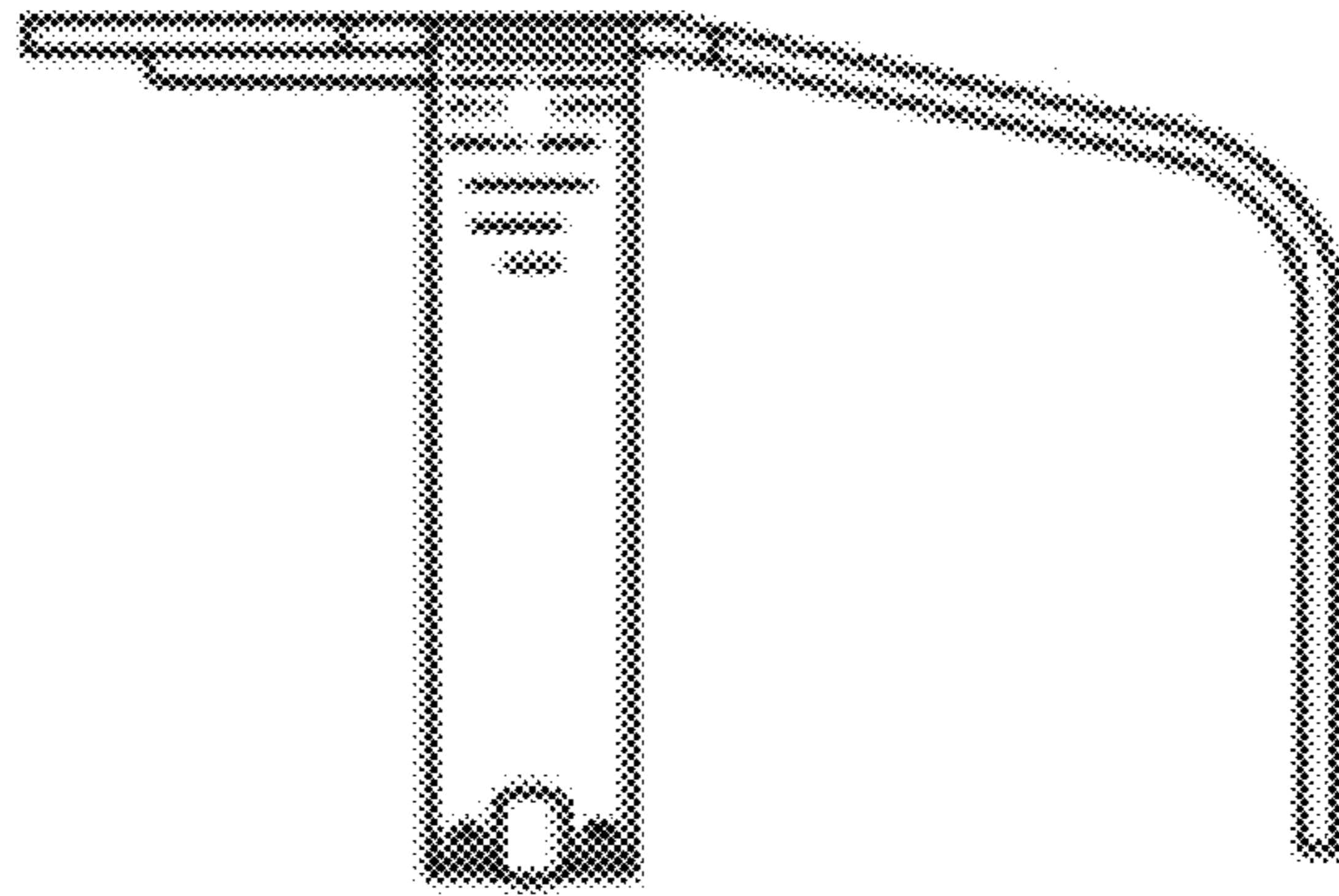


FIG. 4

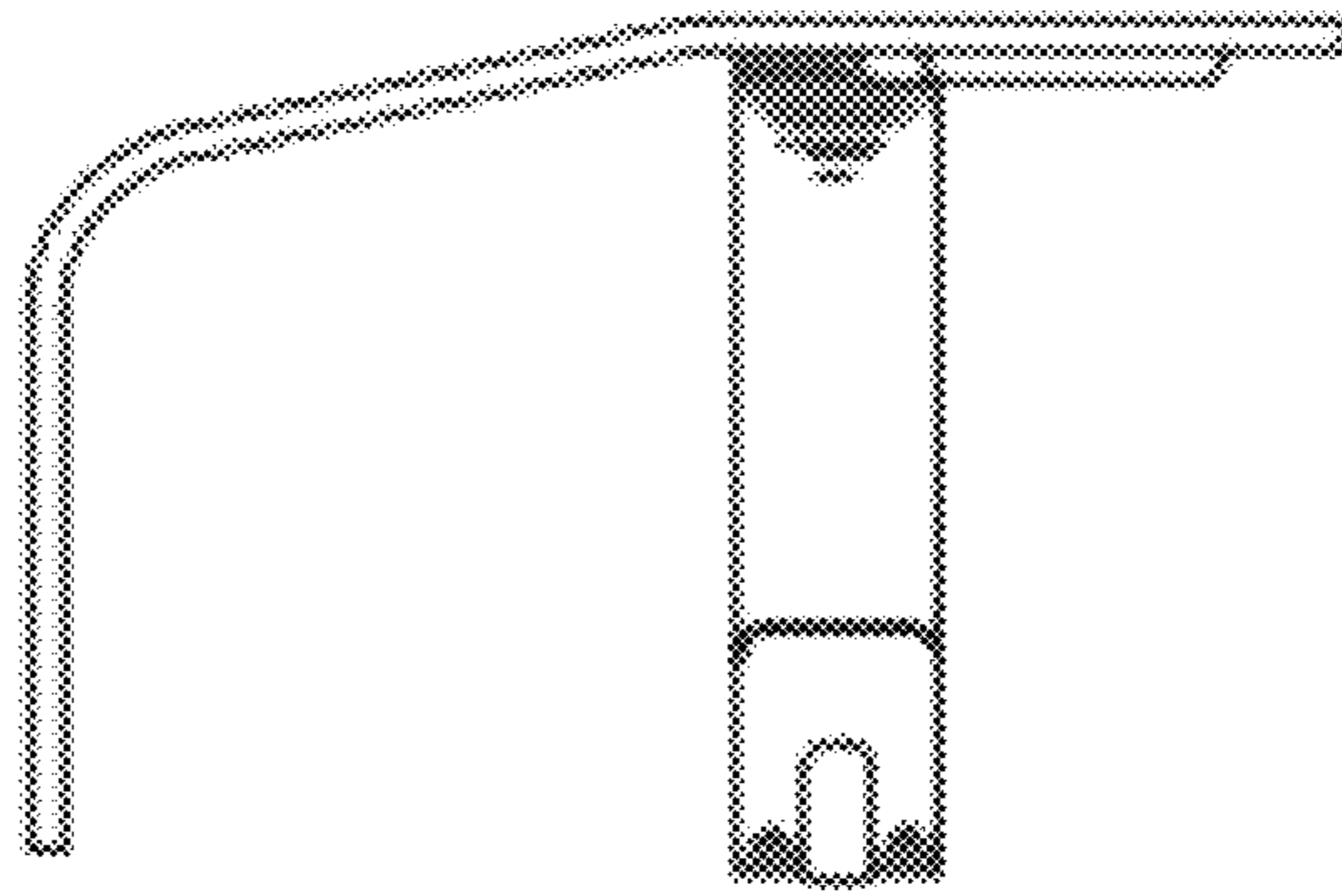


FIG. 5

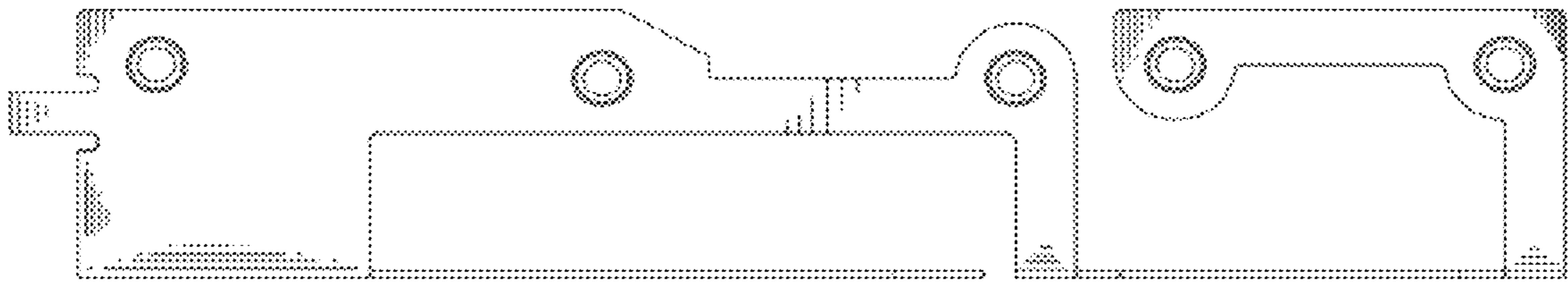


FIG. 6

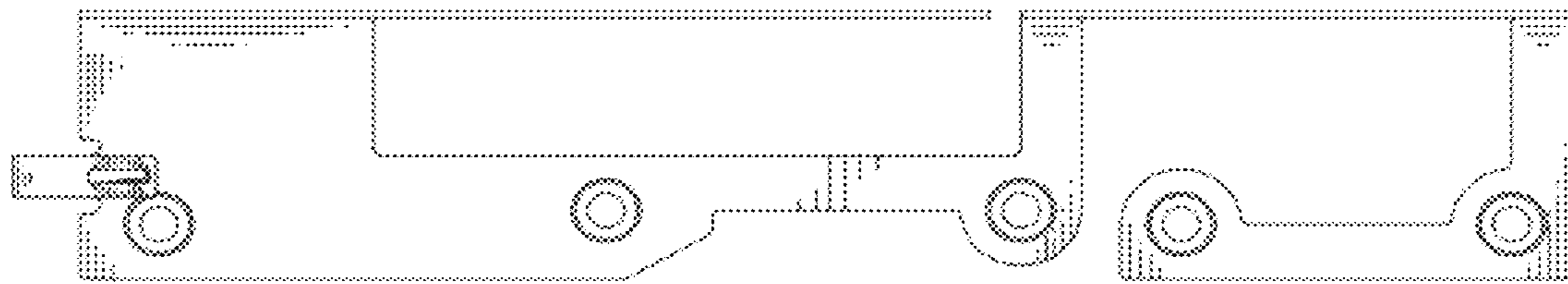


FIG. 7