

US00D659681S

(12) **United States Design Patent**
Suzuki

(10) **Patent No.:** **US D659,681 S**

(45) **Date of Patent:** **** May 15, 2012**

(54) **CONTROLLER FOR SPEAKER**

(75) Inventor: **Tomohisa Suzuki**, Kawasaki (JP)

(73) Assignee: **Pioneer Corporation**, Kawasaki-shi,
Kanagawa (JP)

(**) Term: **14 Years**

(21) Appl. No.: **29/390,531**

(22) Filed: **Apr. 26, 2011**

(30) **Foreign Application Priority Data**

Oct. 27, 2010 (JP) 2010-025832

(51) **LOC (9) Cl.** **14-01**

(52) **U.S. Cl.** **D14/221**

(58) **Field of Classification Search** D14/204,
D14/210-217, 221, 172; 181/143-144, 147-148,
181/150-153, 157, 198-199; 381/300-303,
381/306, 332-333, 336, 345, 361-364, 386-388
See application file for complete search history.

(56) **References Cited**

U.S. PATENT DOCUMENTS

D244,550 S * 5/1977 Zuroski D14/215
D334,935 S * 4/1993 Goto D14/216

D510,338 S * 10/2005 Brimhall et al. D14/214
D521,982 S * 5/2006 Schafernak et al. D14/216
D602,911 S * 10/2009 Wang et al. D14/216
D607,437 S * 1/2010 Kamo D14/216

FOREIGN PATENT DOCUMENTS

JP 1353506 S 3/2009

* cited by examiner

Primary Examiner — Nanda Bondade

(74) *Attorney, Agent, or Firm* — Drinker Biddle & Reath
LLP

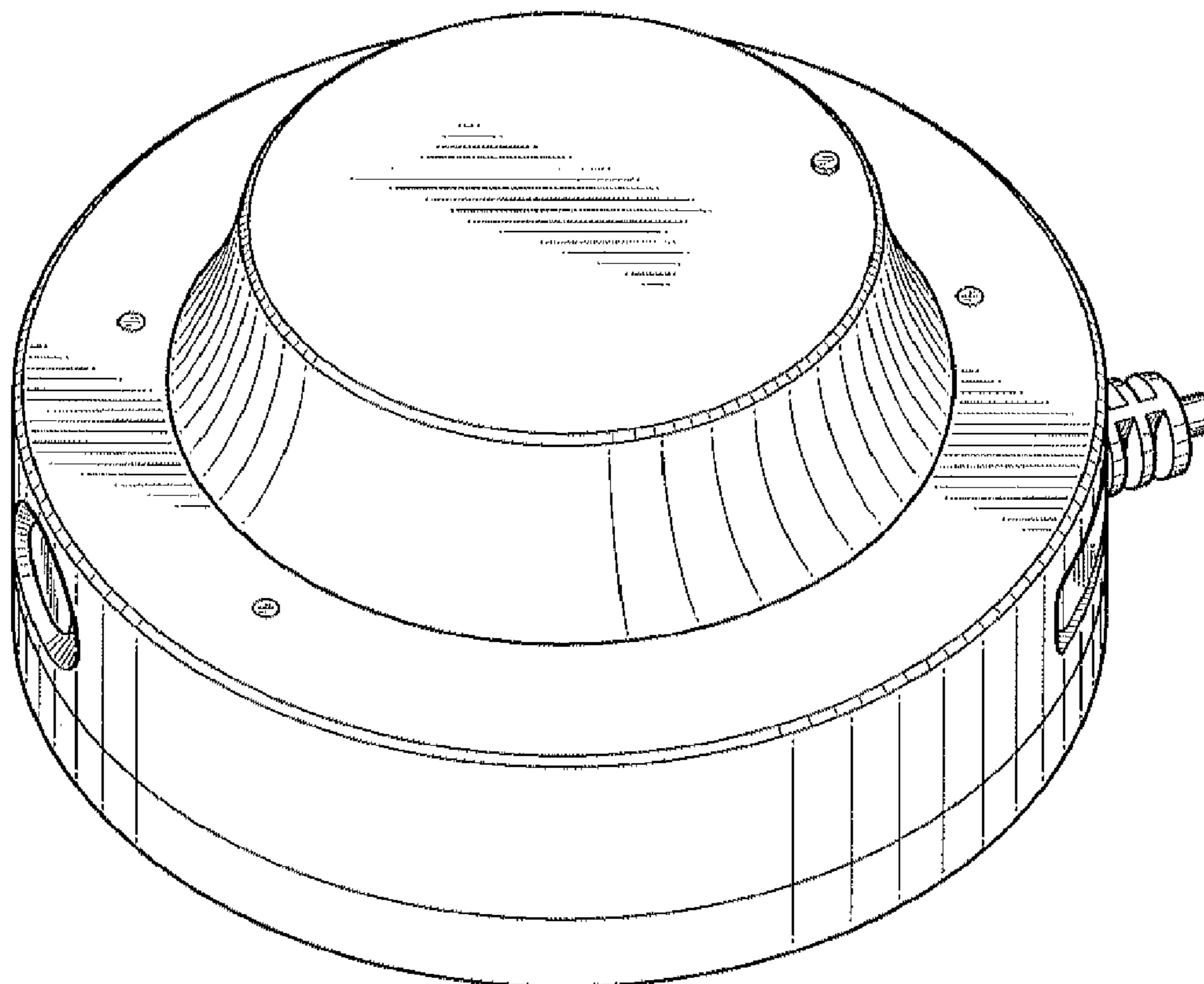
(57) **CLAIM**

The ornamental design for a controller for speaker, as shown
and described.

DESCRIPTION

FIG. 1 is a perspective view of the front, bottom and right side
of a controller for speaker showing my new design;
FIG. 2 is a front view of thereof;
FIG. 3 is a rear view thereof;
FIG. 4 is a left side view thereof;
FIG. 5 is a right side view thereof;
FIG. 6 is a top plan view thereof; and,
FIG. 7 is a bottom view thereof.

1 Claim, 4 Drawing Sheets



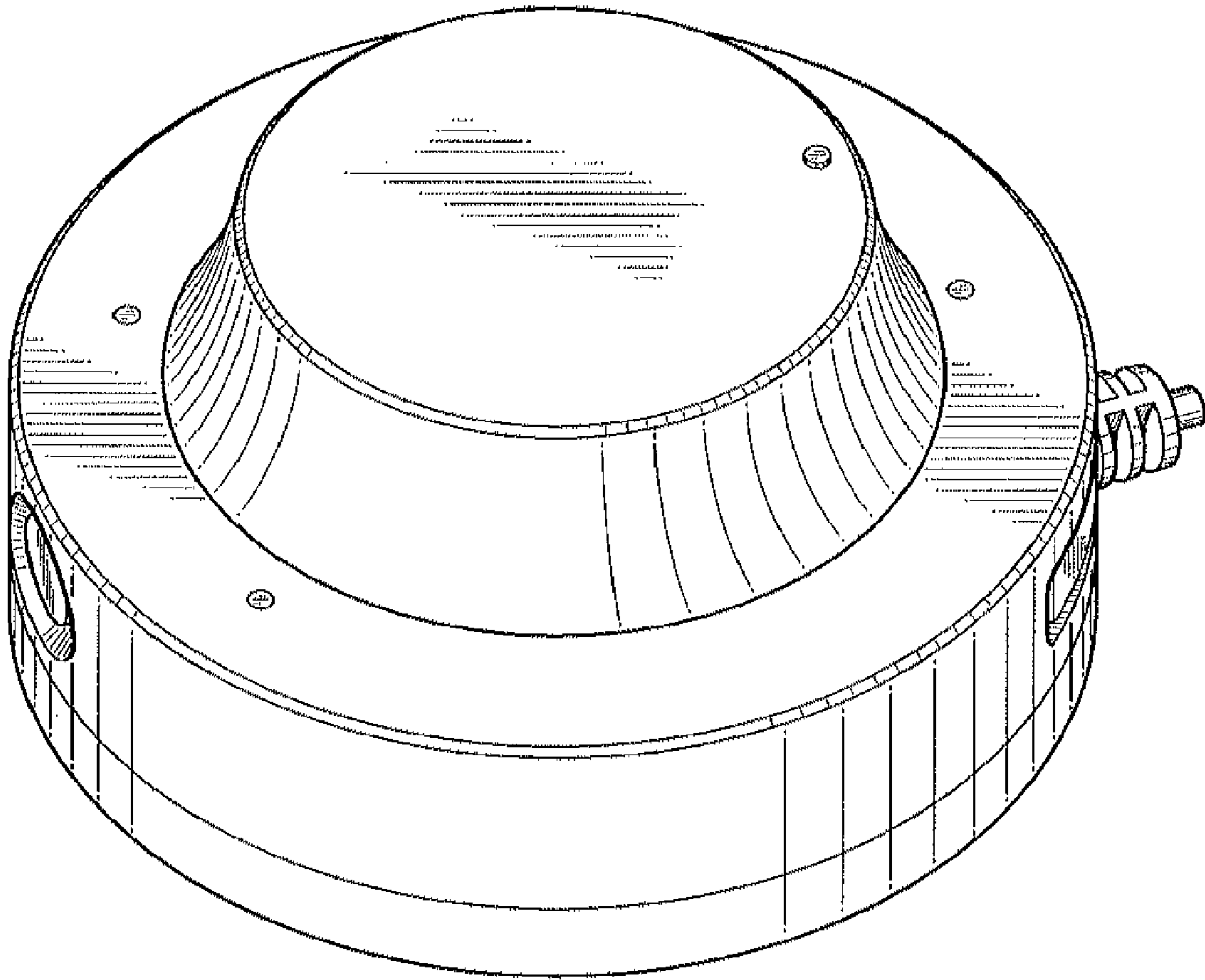


FIG. 1

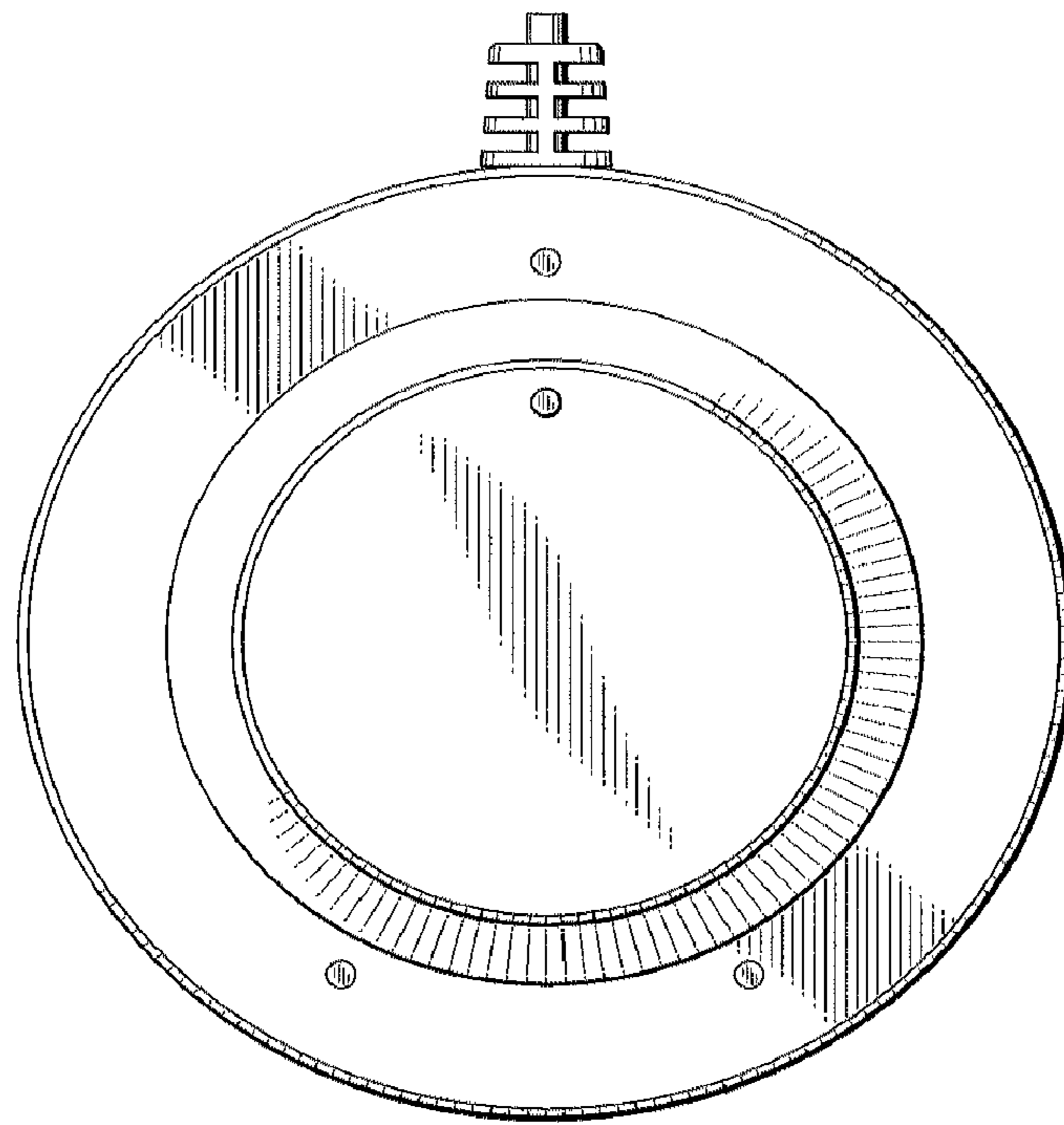


FIG. 2

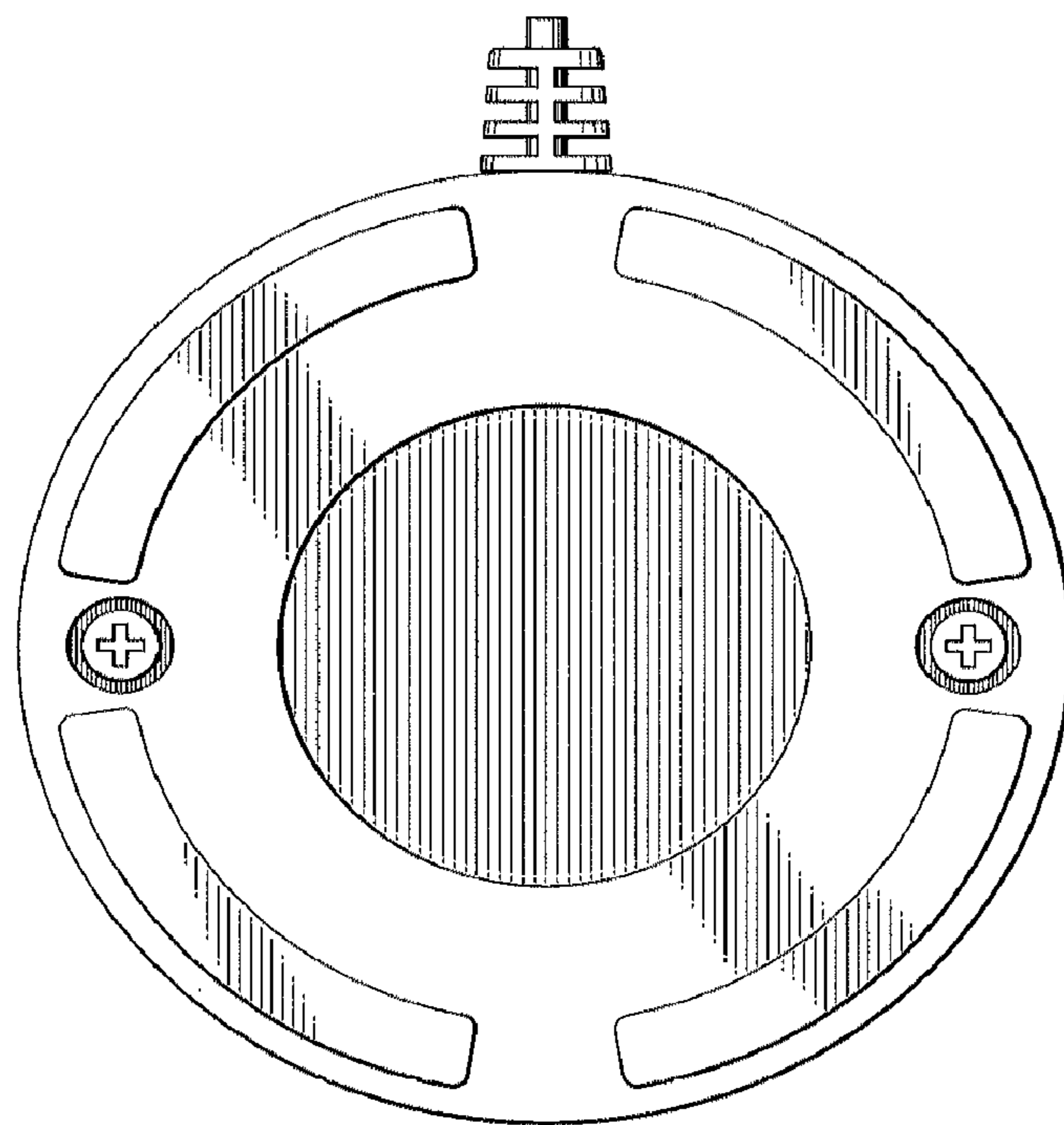


FIG. 3

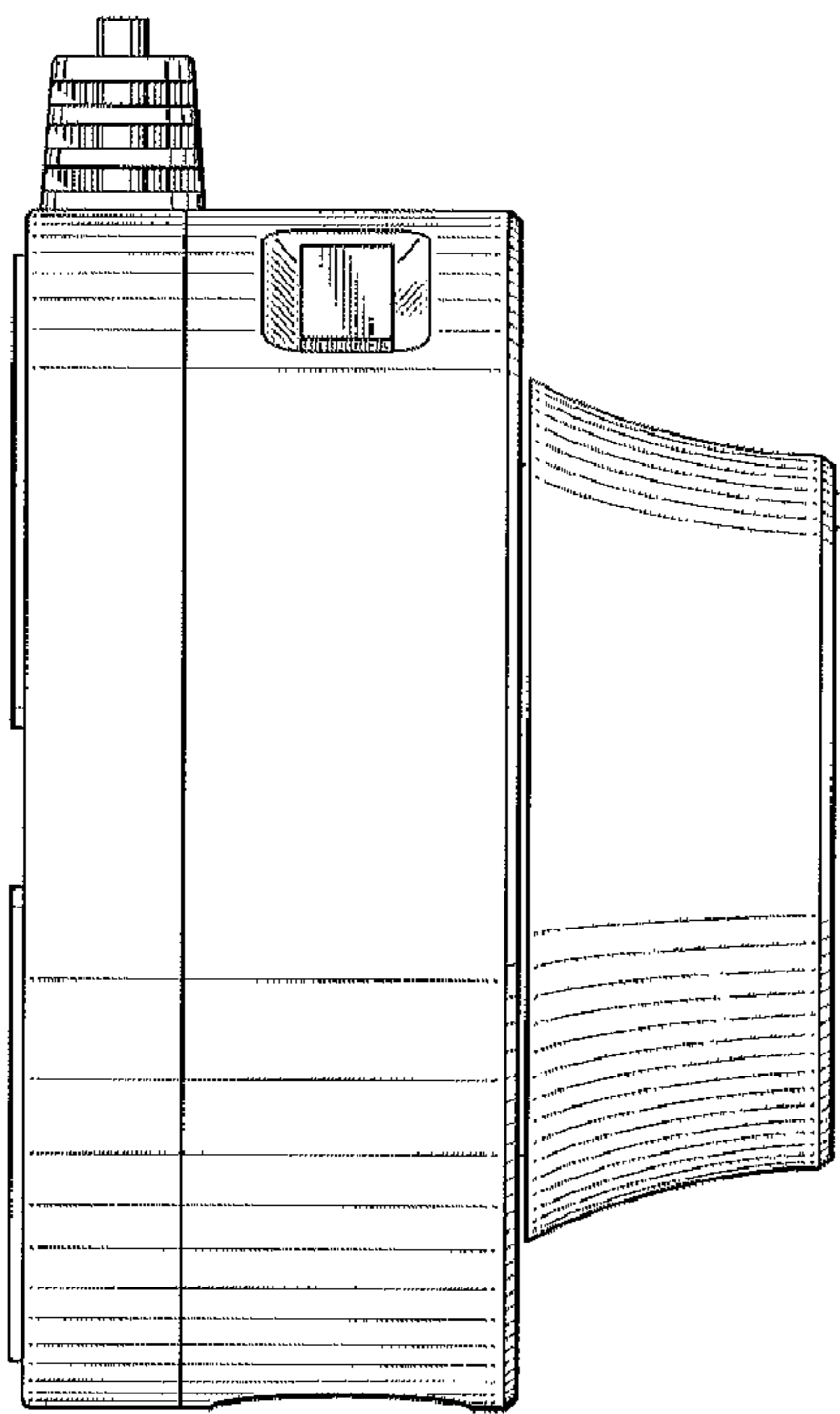


FIG. 4

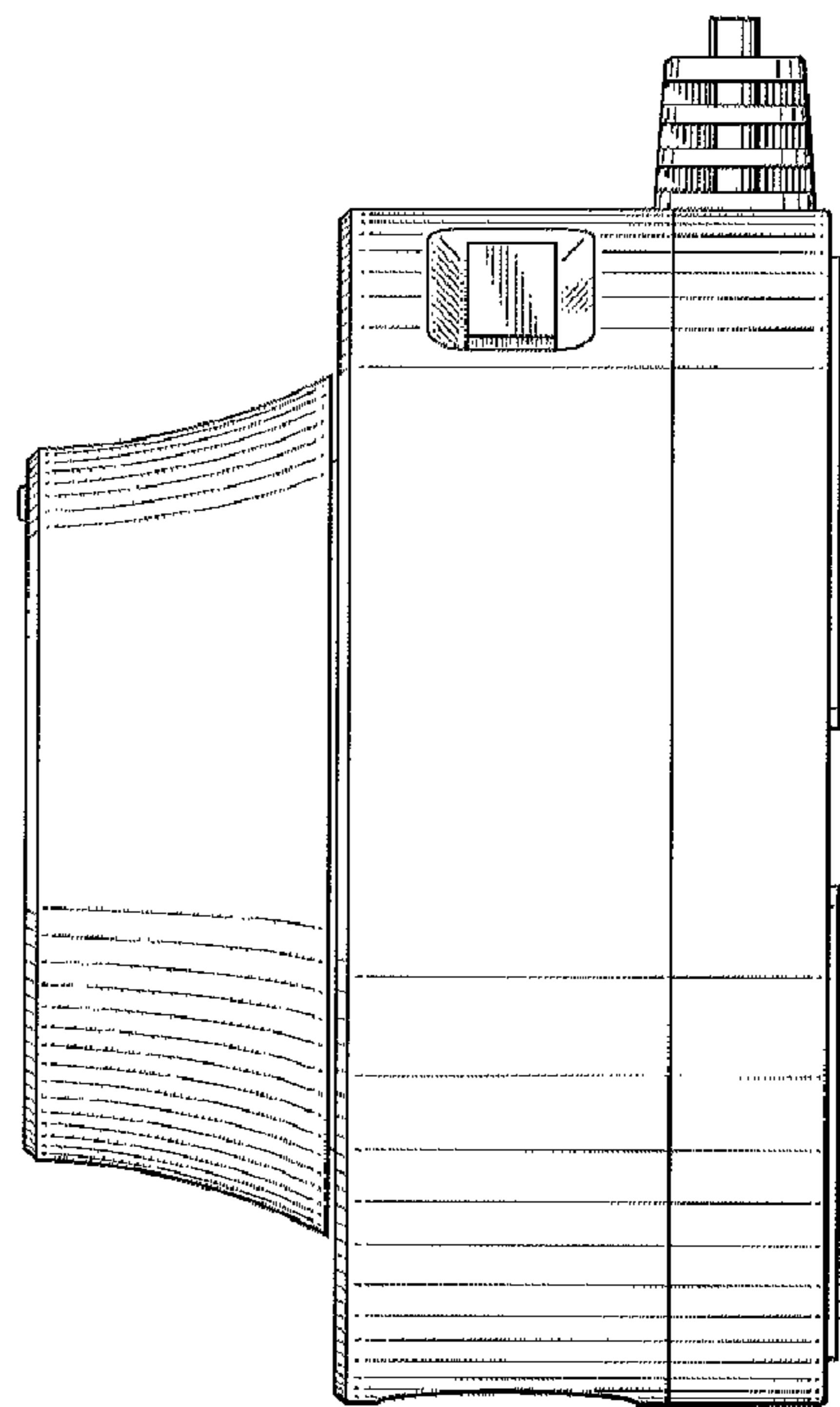


FIG. 5

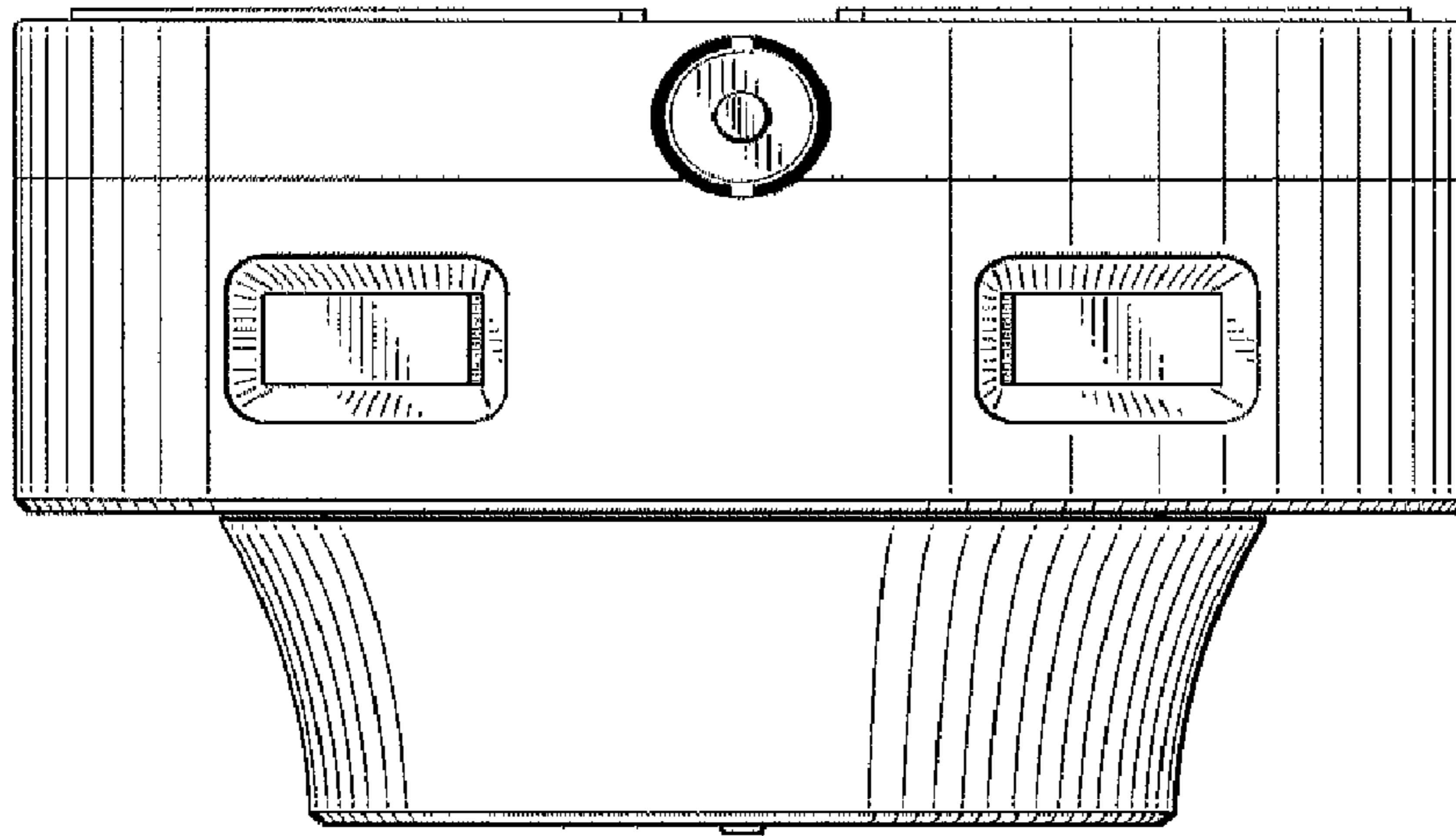


FIG. 6

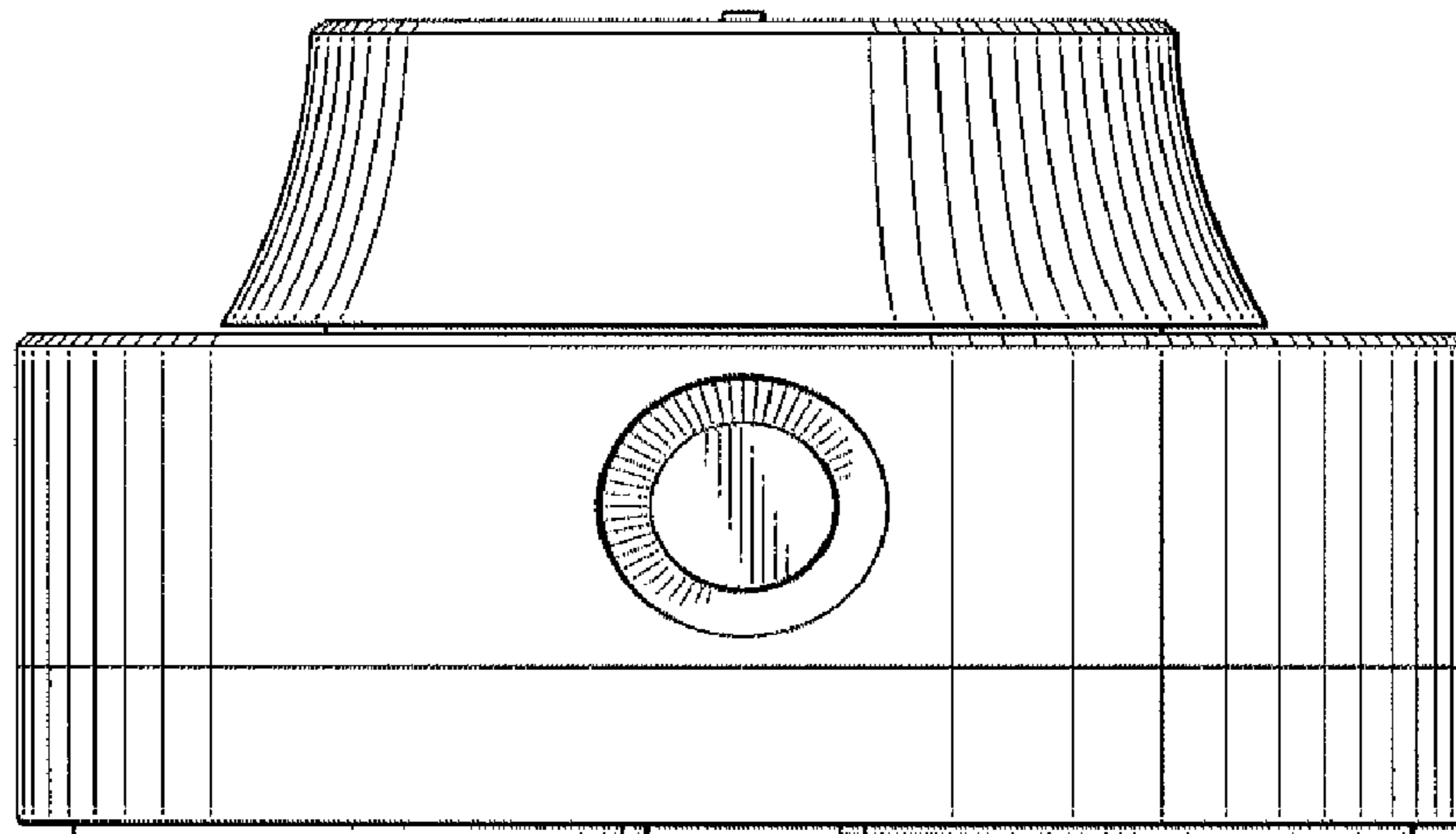


FIG. 7