



US00D659680S

(12) **United States Design Patent**
Kim et al.

(10) **Patent No.:** **US D659,680 S**
(45) **Date of Patent:** **** May 15, 2012**

(54) **SPEAKER**

(75) Inventors: **Ji-Gwang Kim**, Seoul (KR); **Chae-Joo Son**, Namyangju-si (KR)

(73) Assignee: **Samsung Electronics Co., Ltd.** (KR)

(**) Term: **14 Years**

(21) Appl. No.: **29/391,761**

(22) Filed: **May 12, 2011**

(30) **Foreign Application Priority Data**

Mar. 2, 2011 (KR) 30-2011-0008379

(51) **LOC (9) Cl.** **14-01**

(52) **U.S. Cl.** **D14/216**

(58) **Field of Classification Search** D14/204,
D14/210-216, 168, 172, 509; 181/143-144,
181/147-148, 150-153, 157, 198-199;
381/300-303, 306, 332-333, 336, 345, 361-364,
381/386-388

See application file for complete search history.

(56) **References Cited**

U.S. PATENT DOCUMENTS

D186,892 S *	12/1959	Wilber	D14/211
D485,251 S *	1/2004	Lee	D14/509
D510,926 S *	10/2005	Jerome	D14/168
D514,548 S *	2/2006	Chan	D14/216

* cited by examiner

Primary Examiner — Nanda Bondade

(74) *Attorney, Agent, or Firm* — Cantor Colburn LLP

(57) **CLAIM**

The ornamental design for a speaker, as shown and described.

DESCRIPTION

FIG. 1 is a perspective view of a speaker, showing our new design;

FIG. 2 is a front elevational view thereof;

FIG. 3 is a rear elevational view thereof;

FIG. 4 is a left side elevational view thereof;

FIG. 5 is a right side elevational view thereof;

FIG. 6 is a top plan view thereof; and,

FIG. 7 is a bottom plan view thereof.

1 Claim, 7 Drawing Sheets

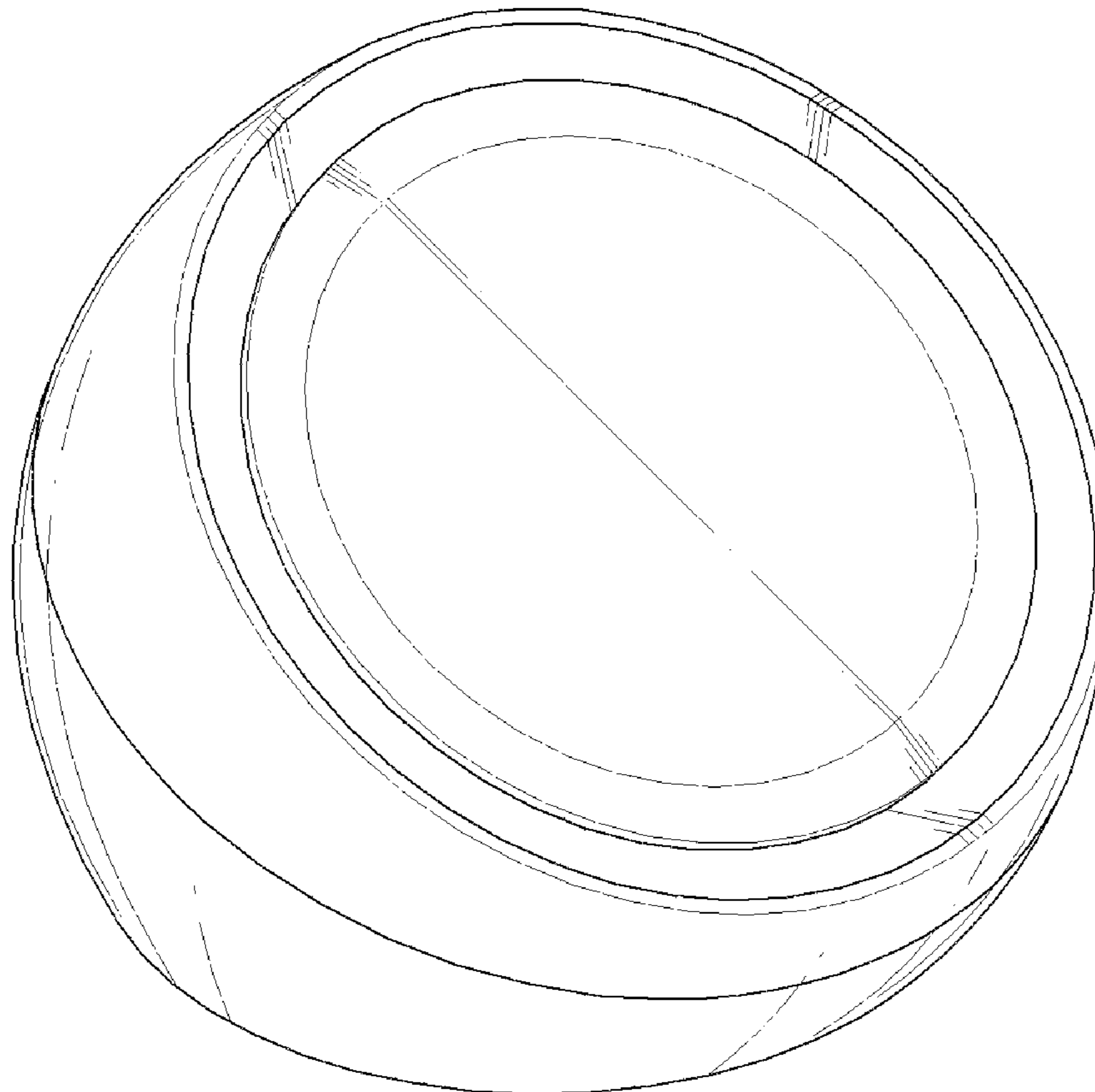


FIG. 1

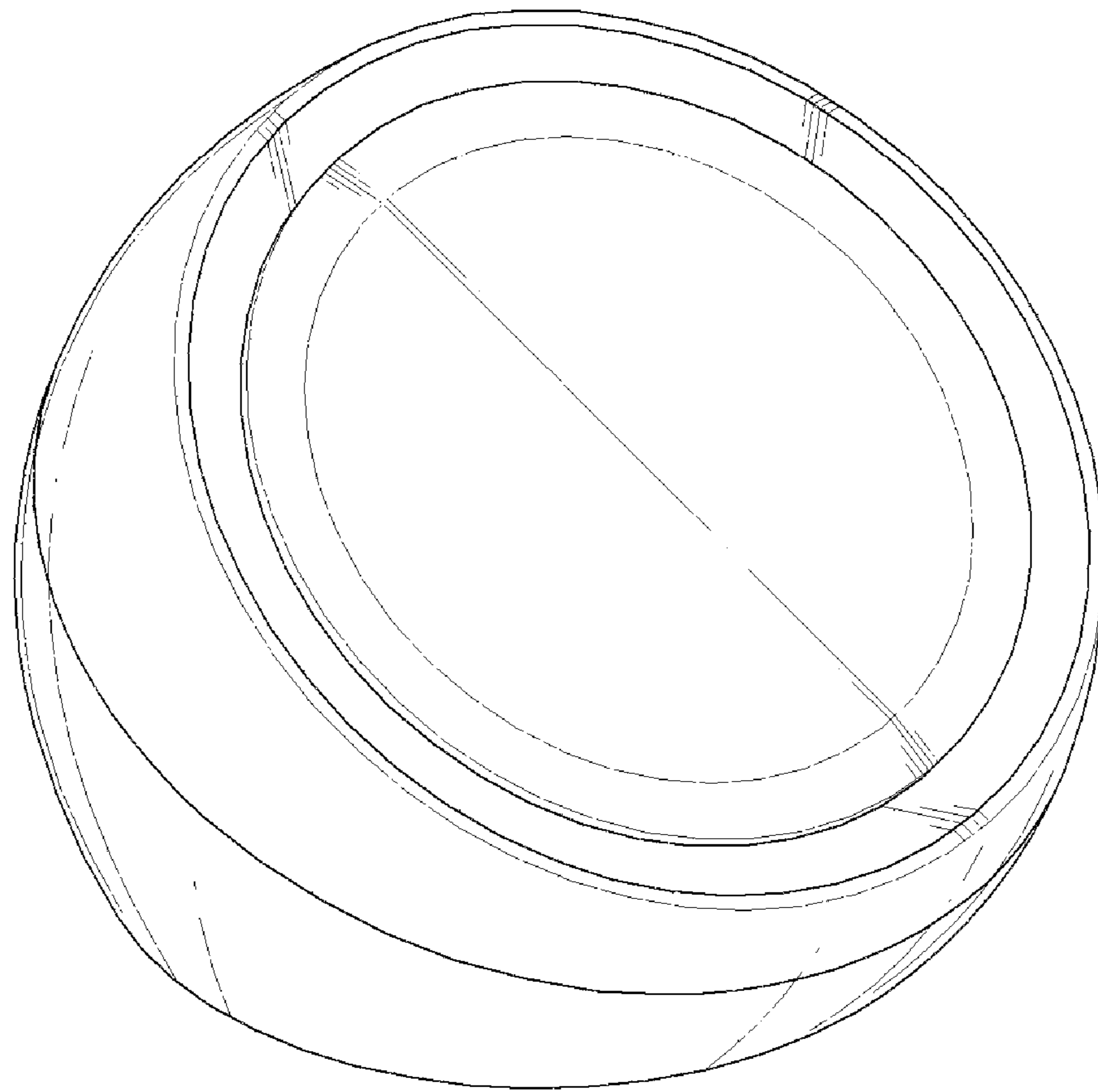


FIG.2

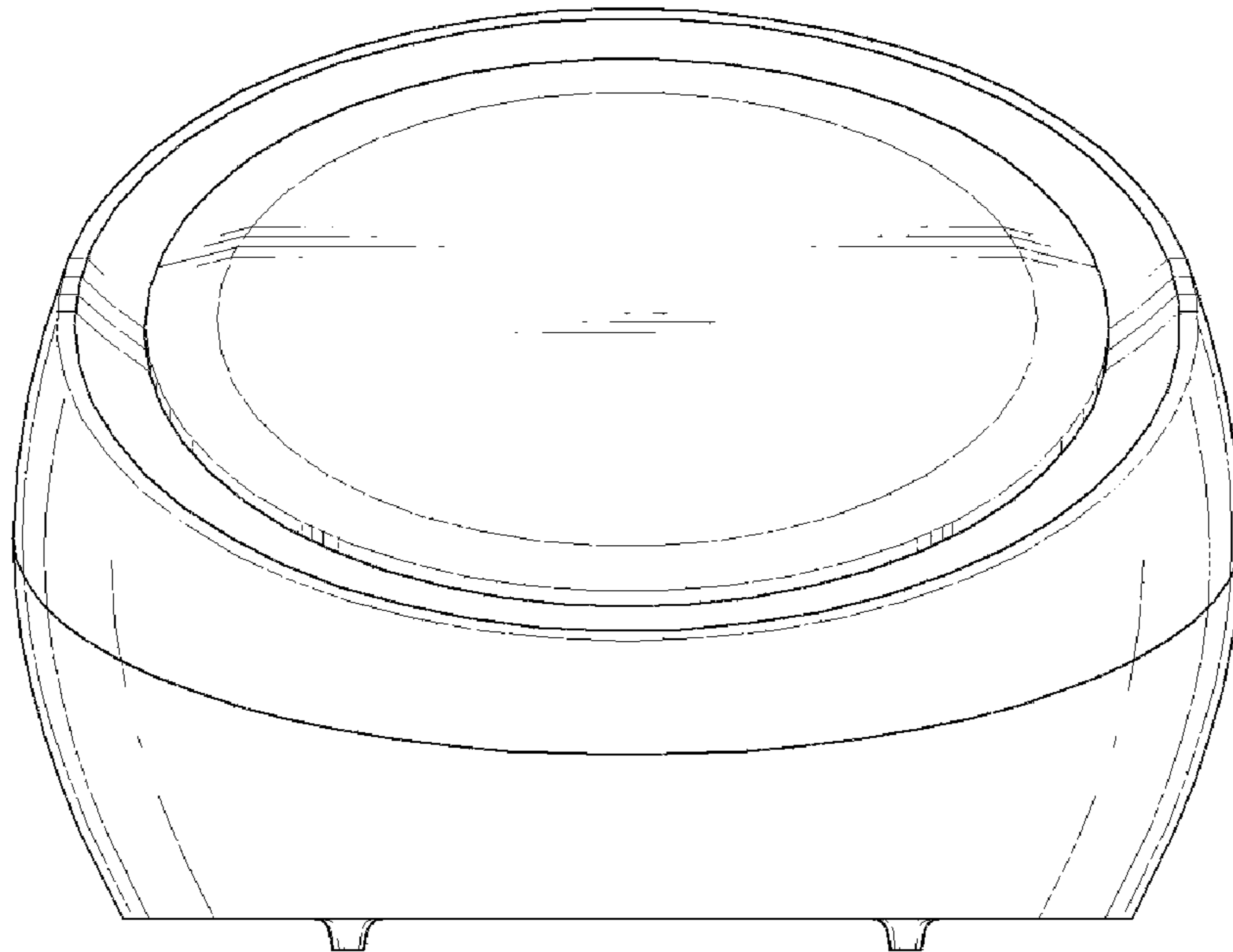


FIG.3

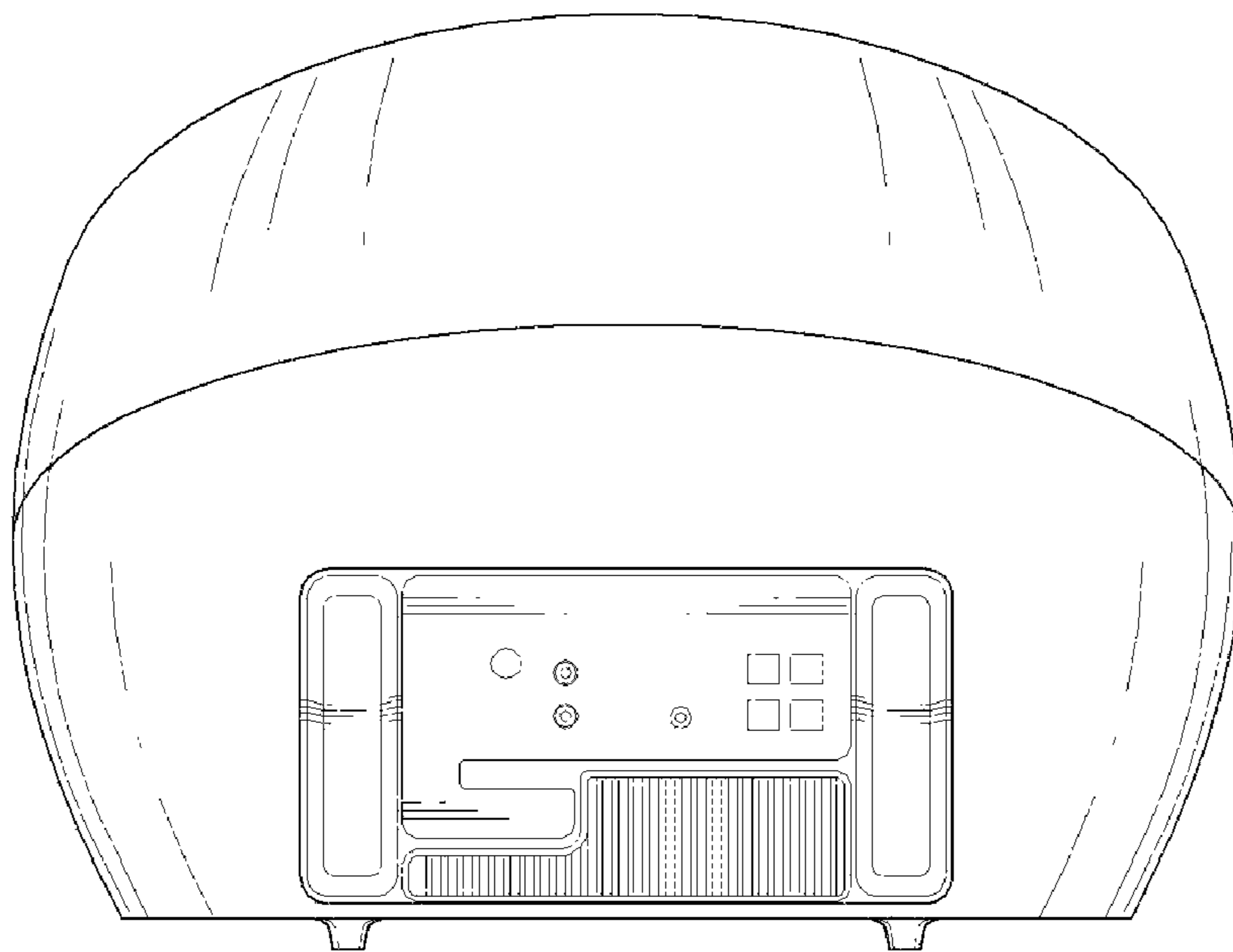


FIG.4

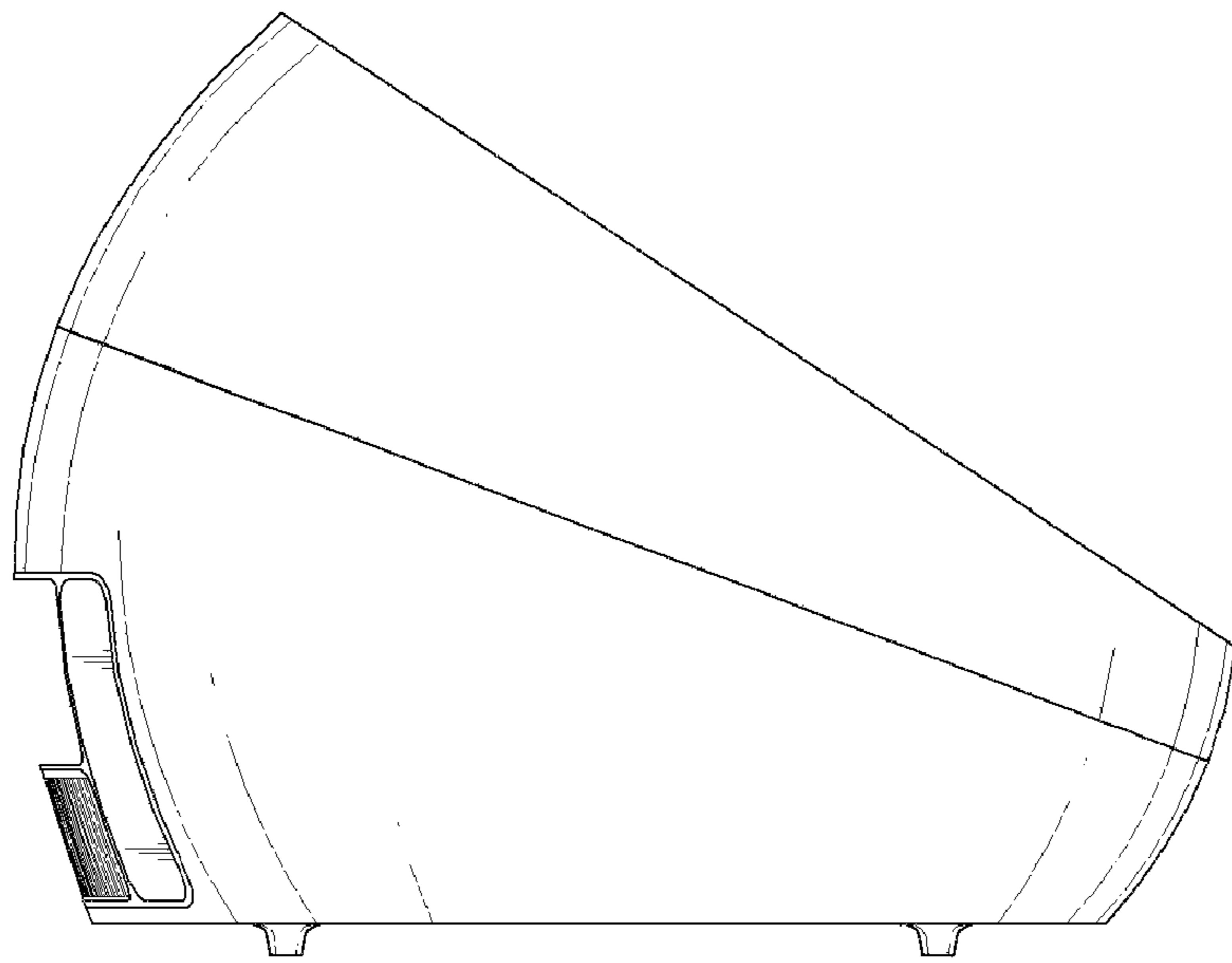


FIG.5

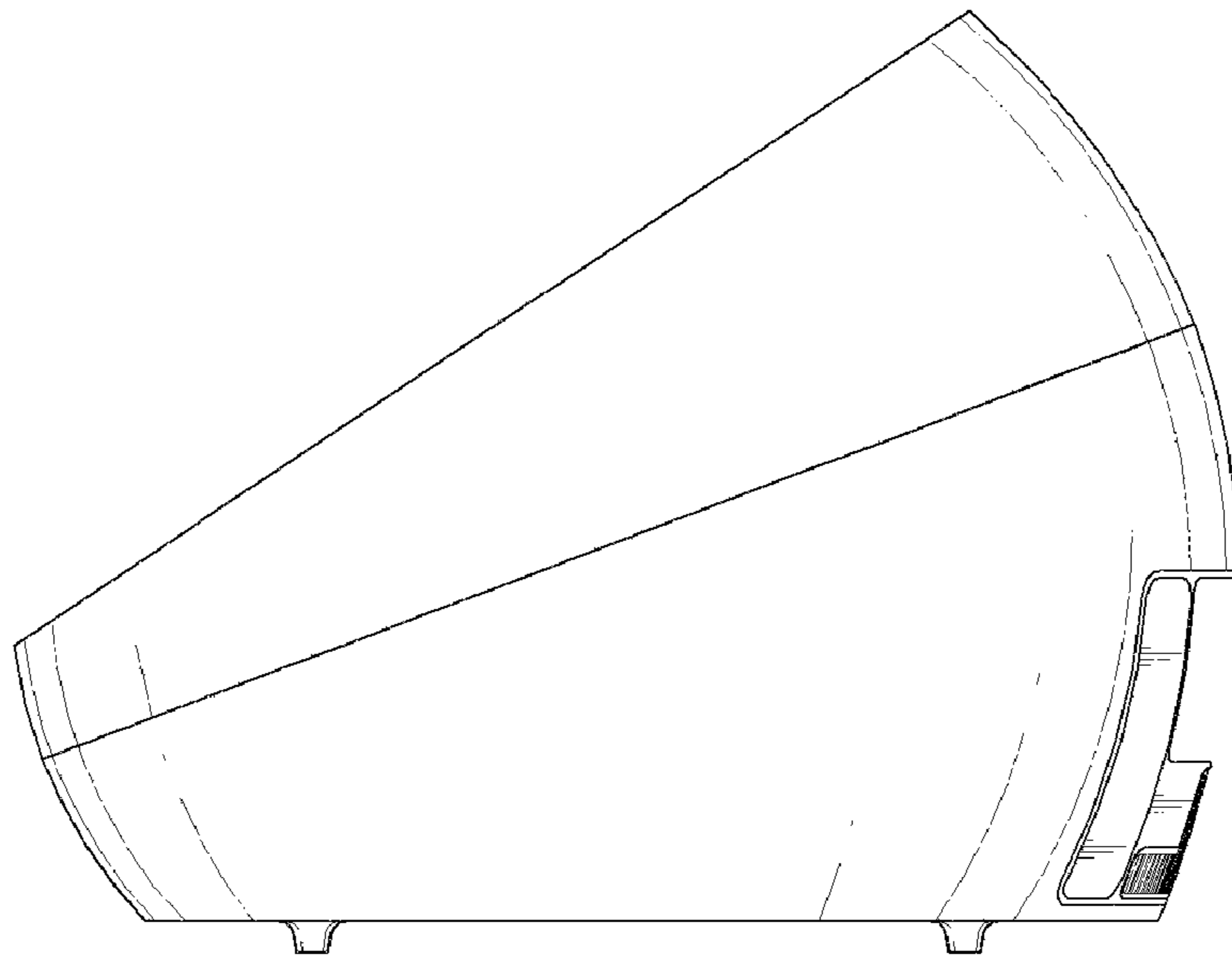


FIG.6

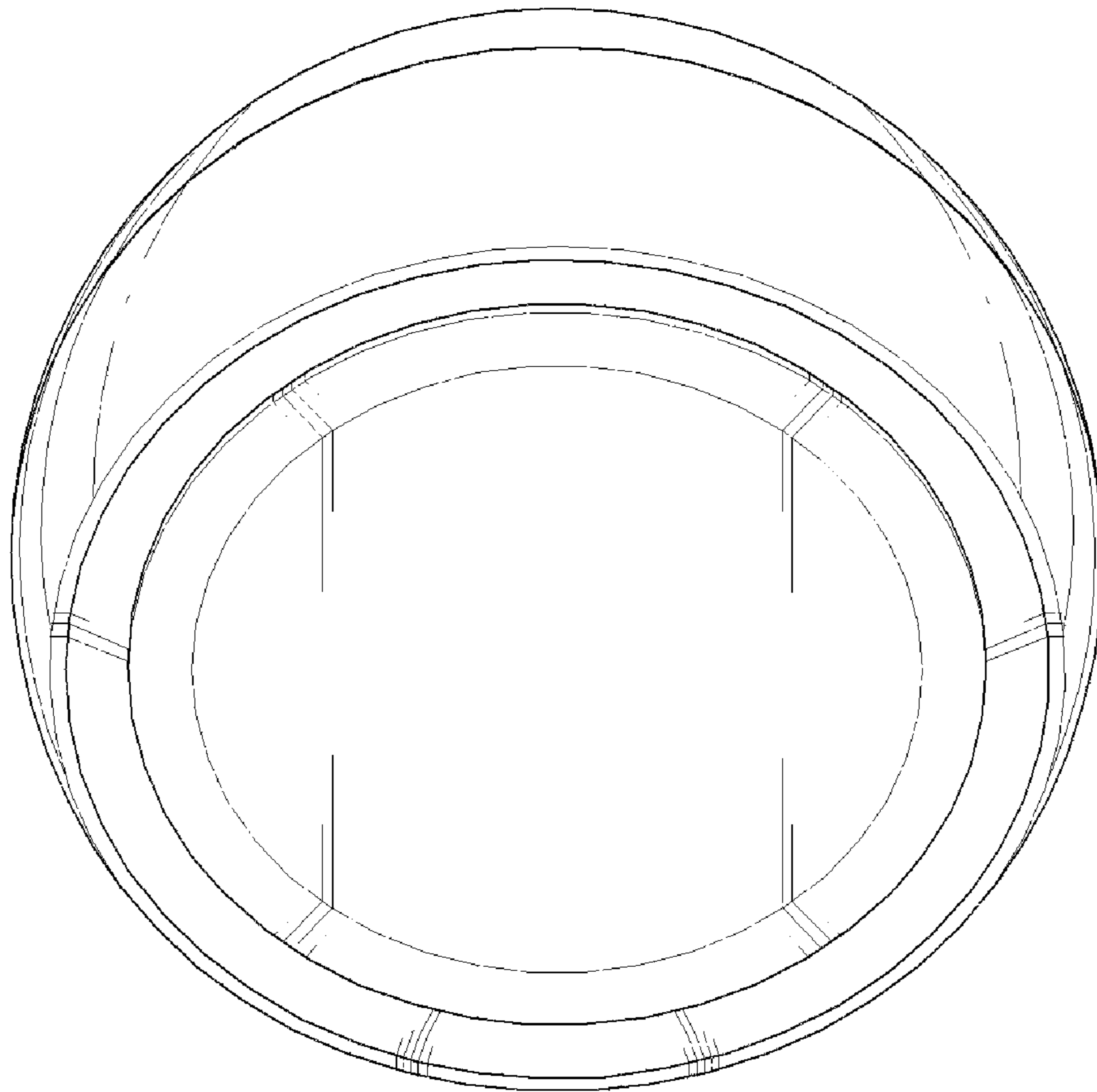


FIG. 7

