



(12) **United States Design Patent**  
**Aoki**

(10) **Patent No.:** **US D659,679 S**  
(45) **Date of Patent:** **\*\* May 15, 2012**

(54) **SPEAKER BOX**  
(75) Inventor: **Ryosaku Aoki**, Tokyo (JP)  
(73) Assignee: **Sony Corporation**, Tokyo (JP)  
(\*\*) Term: **14 Years**  
(21) Appl. No.: **29/371,021**  
(22) Filed: **Sep. 15, 2010**  
(51) **LOC (9) Cl.** ..... **14-01**  
(52) **U.S. Cl.** ..... **D14/215**  
(58) **Field of Classification Search** ..... D14/204,  
D14/210–216, 172, 385, 435.1; 181/143–144,  
181/147–148, 150–153, 157, 198–199;  
381/300–303, 306, 332–333, 336, 345, 361–364,  
381/386–388  
See application file for complete search history.

(56) **References Cited**

U.S. PATENT DOCUMENTS

D465,784 S *	11/2002	Lin	.....	D14/435.1
D484,094 S *	12/2003	Xiao	.....	D14/435.1
D588,106 S *	3/2009	Khoo et al.	.....	D14/215
D589,940 S *	4/2009	Jacobs et al.	.....	D14/214
D593,070 S *	5/2009	Komiyama	.....	D14/215
D593,539 S *	6/2009	Tse	.....	D14/214
D597,076 S *	7/2009	Komiyama	.....	D14/215

\* cited by examiner

*Primary Examiner* — Nanda Bondade

(74) *Attorney, Agent, or Firm* — Rader, Fishman & Grauer PLLC

(57) **CLAIM**

The ornamental design for a speaker box, as shown and described.

**DESCRIPTION**

FIG. 1 is a front, top, right perspective view of a speaker box showing my new design;  
FIG. 2 is a rear, bottom, right perspective view thereof;  
FIG. 3 is a left side elevational view thereof;

FIG. 4 is a right side elevational view thereof;  
FIG. 5 is a top plan view thereof; and  
FIG. 6 is a bottom plan view thereof.  
FIG. 7 is a front, top, right perspective view of one of the two parts of the speaker box of FIG. 1 shown separately for clarity of illustration;  
FIG. 8 is a rear side elevational view thereof;  
FIG. 9 is a left side elevational view thereof;  
FIG. 10 is a right side elevational view thereof;  
FIG. 11 is a top plan view thereof; and  
FIG. 12 is a bottom plan view thereof.  
FIG. 13 is a perspective view of a USB connector attachable to the speaker box of FIG. 1 shown separately for clarity of illustration;  
FIG. 14 is a front elevational view thereof;  
FIG. 15 is a rear elevational view thereof;  
FIG. 16 is a left side elevational view thereof;  
FIG. 17 is a right side elevational view thereof;  
FIG. 18 is a top plan view thereof; and  
FIG. 19 is a bottom plan view thereof.  
FIG. 20 is a rear perspective view of the one of the two parts of the speaker box of FIG. 7, wherein the USB connector of FIG. 13 is attached thereto, shown separately for clarity of illustration.  
FIG. 21 is an exploded perspective view of the speaker box of FIG. 1, shown without the USB connector for clarity of illustration;  
FIG. 22 is an exploded perspective view of the speaker box of FIG. 1; and,  
FIG. 23 is a left, bottom perspective view of FIG. 1.  
Portions in broken lines are for illustrative purpose only and form no part of the claimed design. The single dot-dash broken lines in all figures define the boundaries of, but not included in, the claimed design.

**1 Claim, 20 Drawing Sheets**

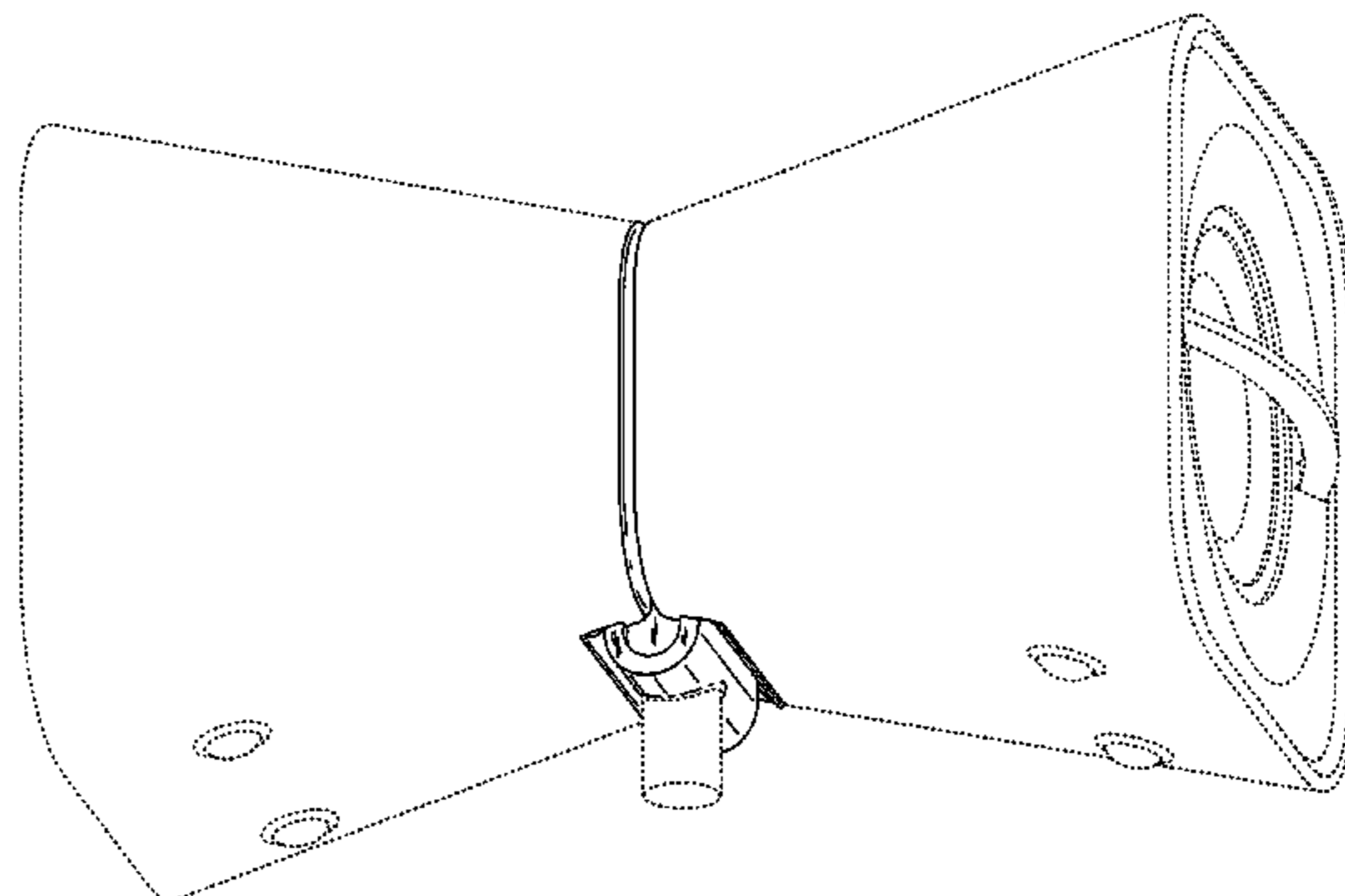
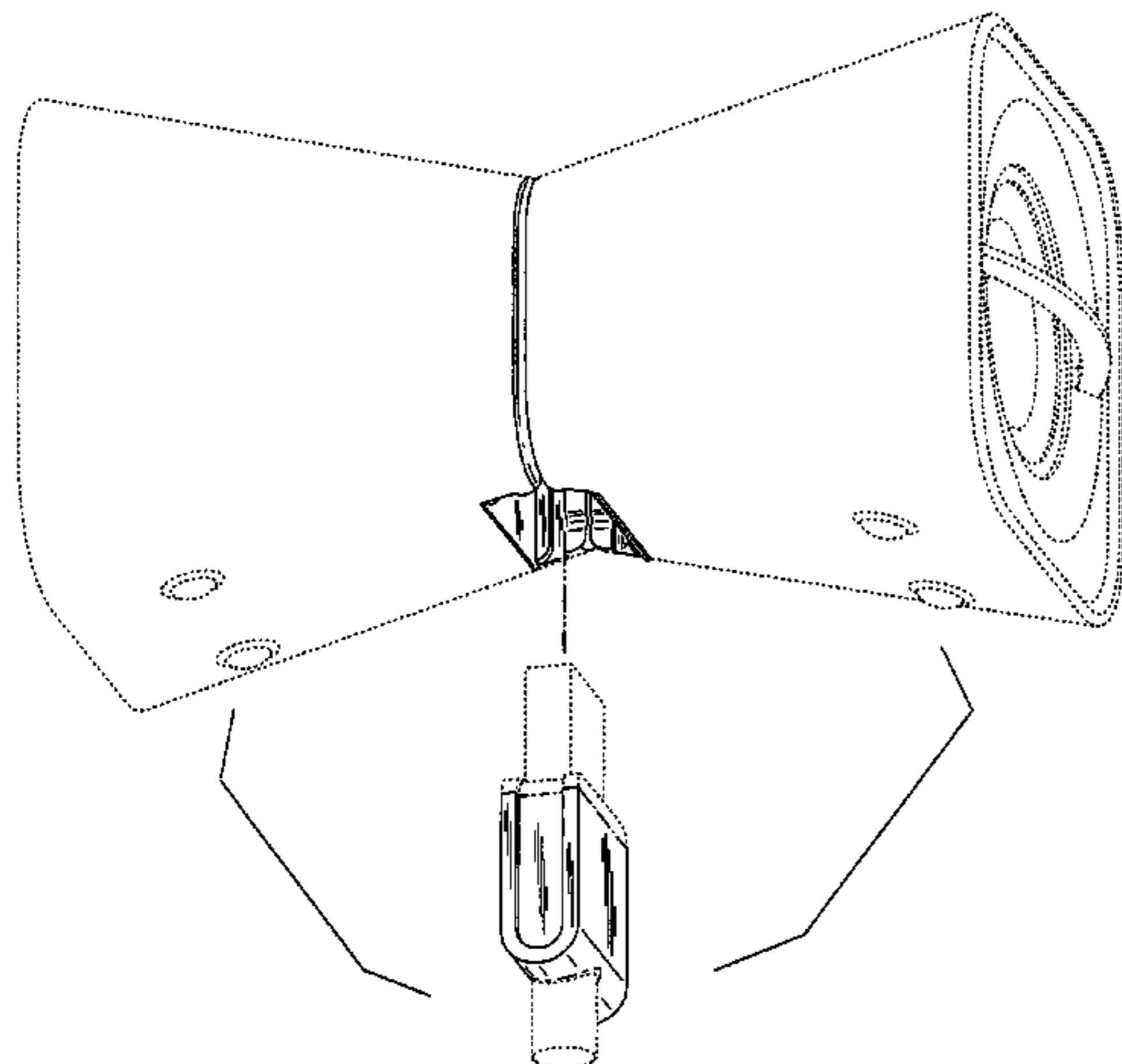


FIG.1

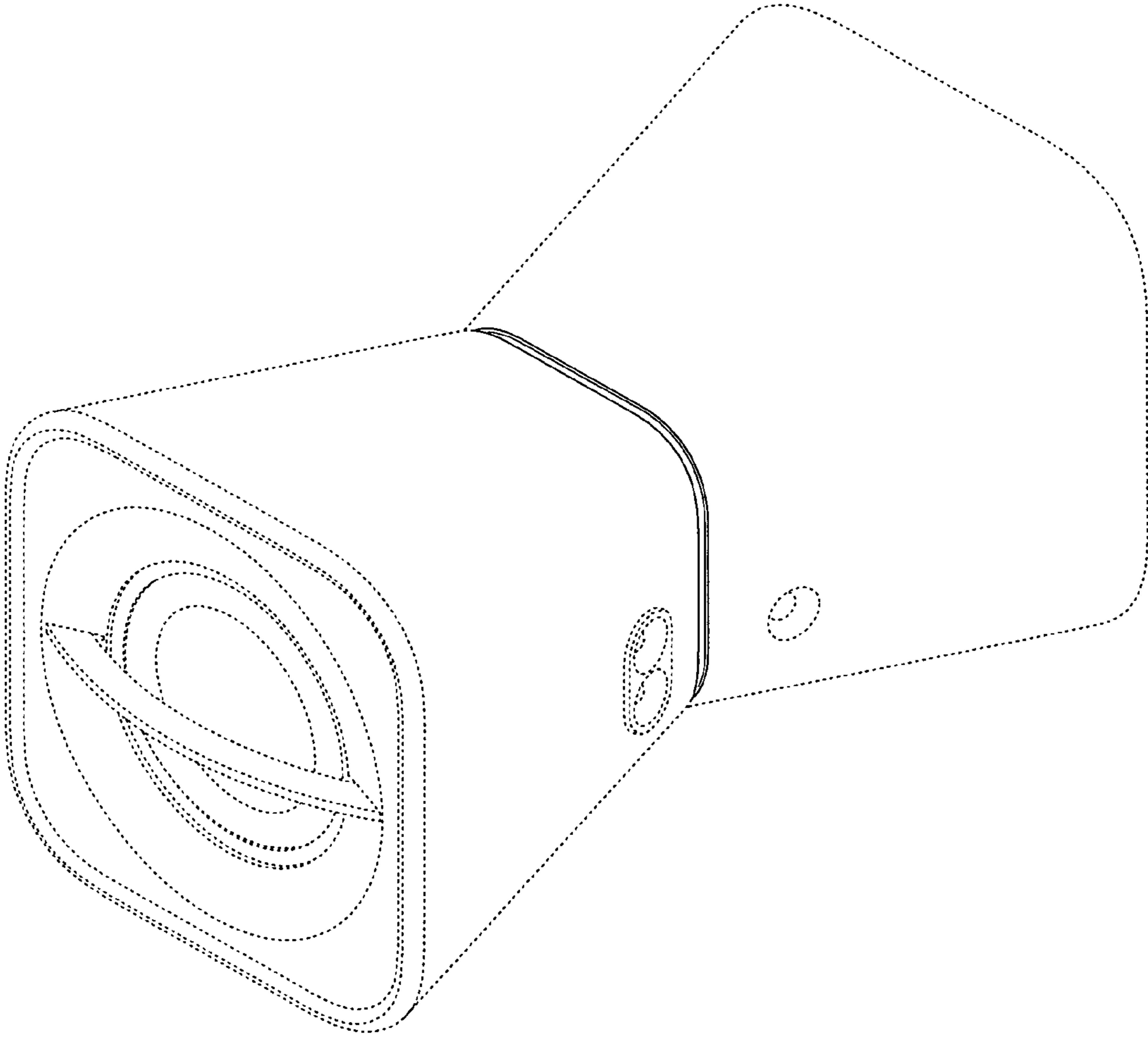


FIG.2

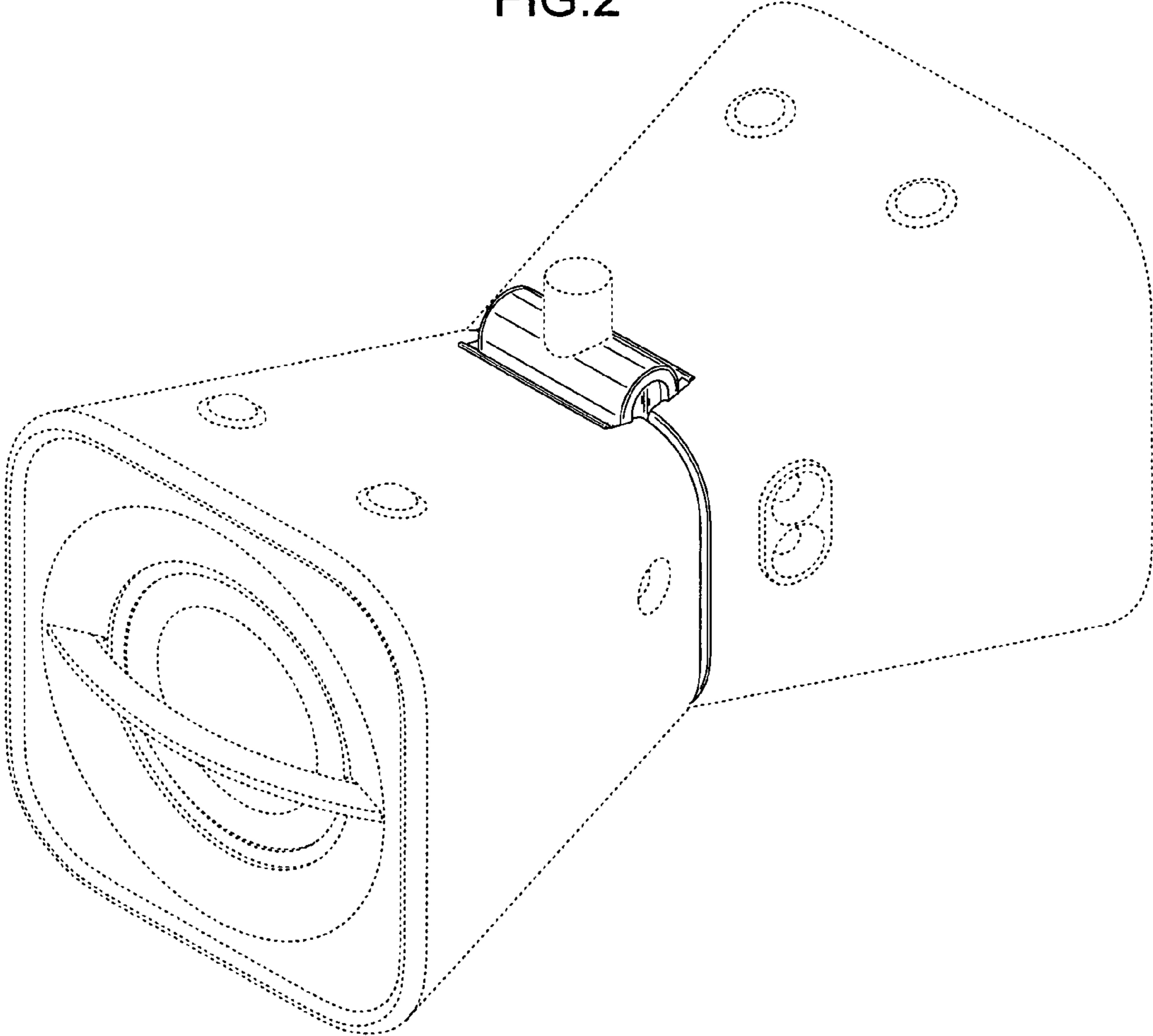


FIG.3

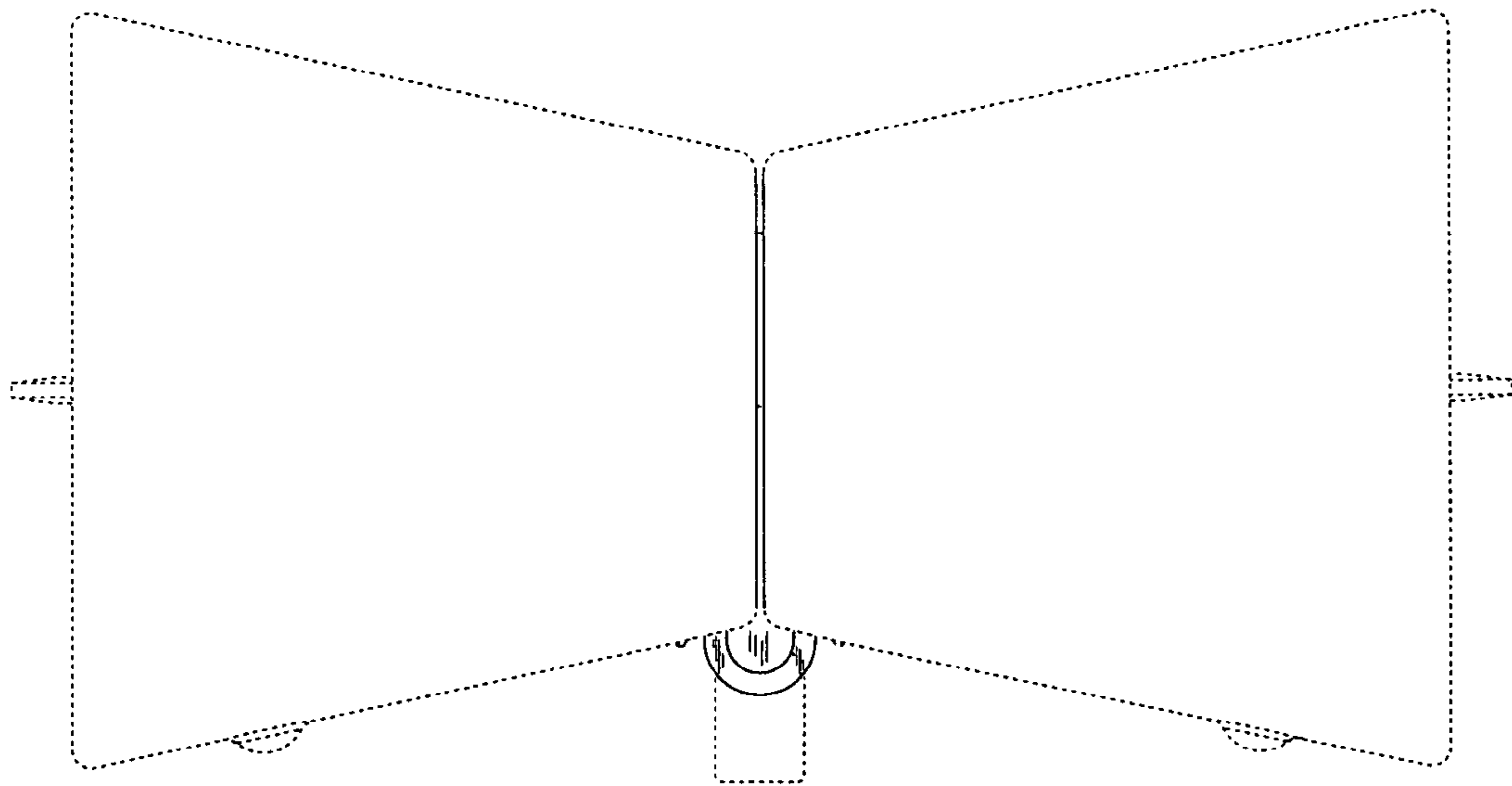


FIG.4

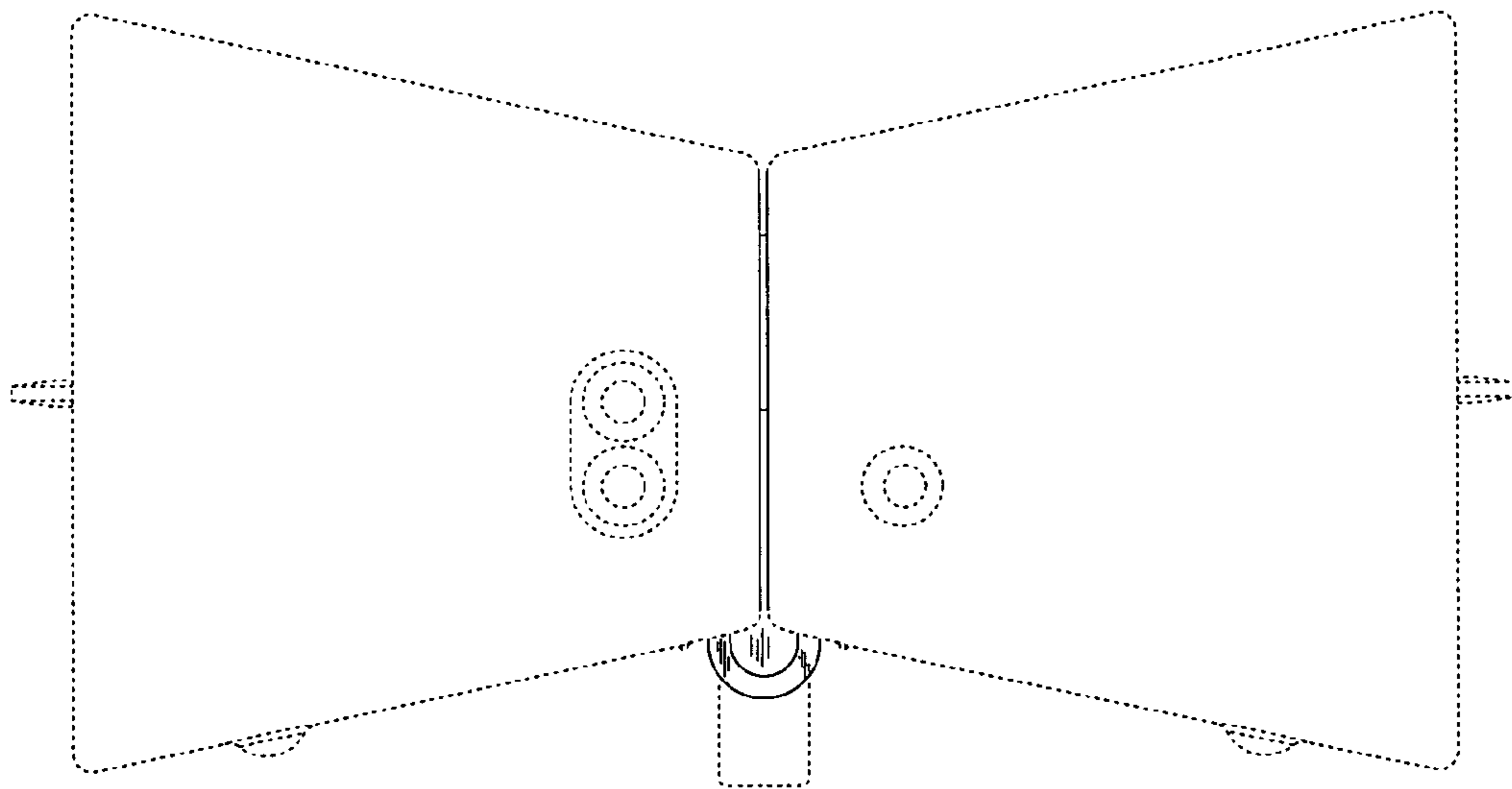


FIG.5

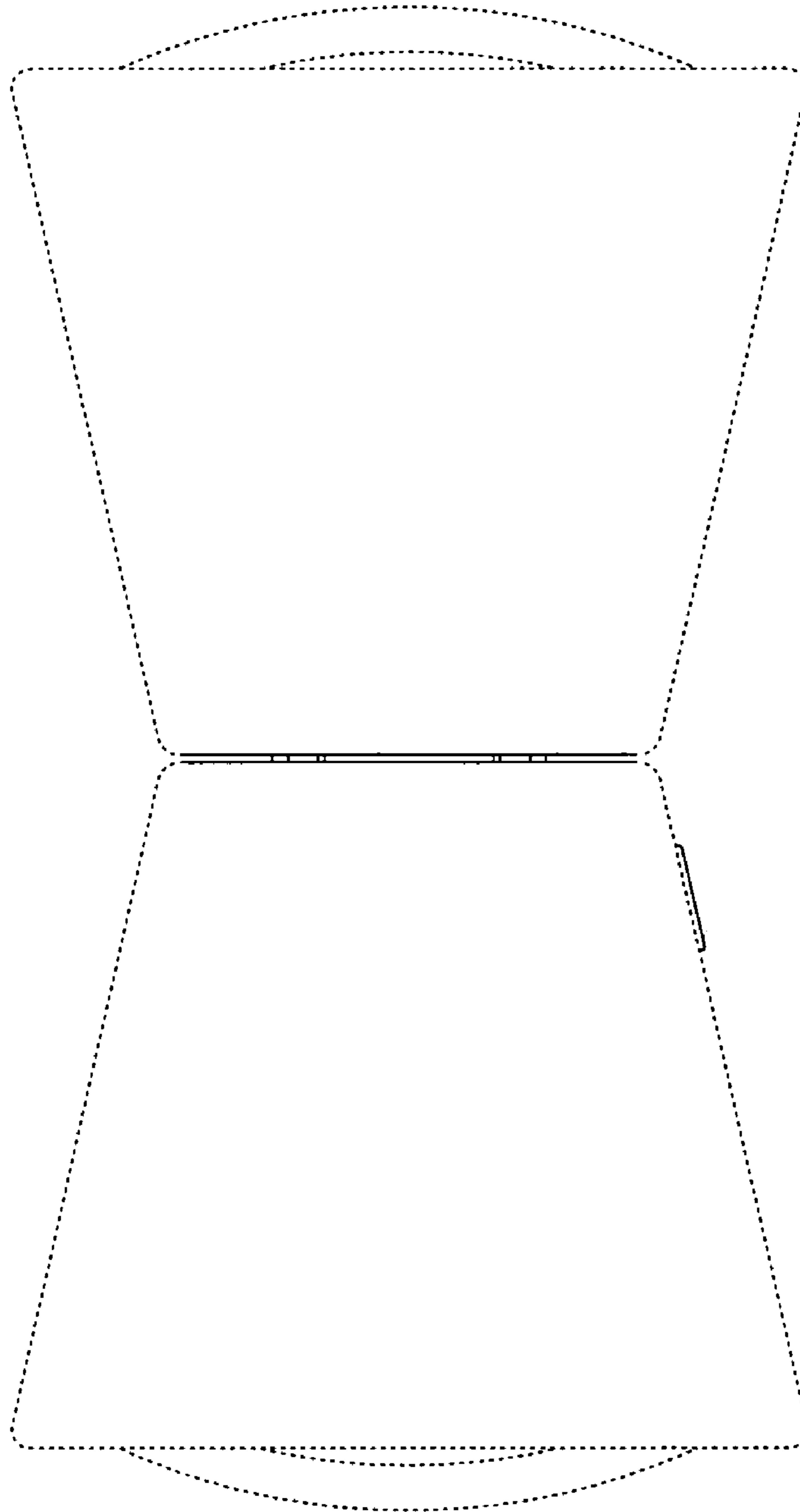


FIG.6

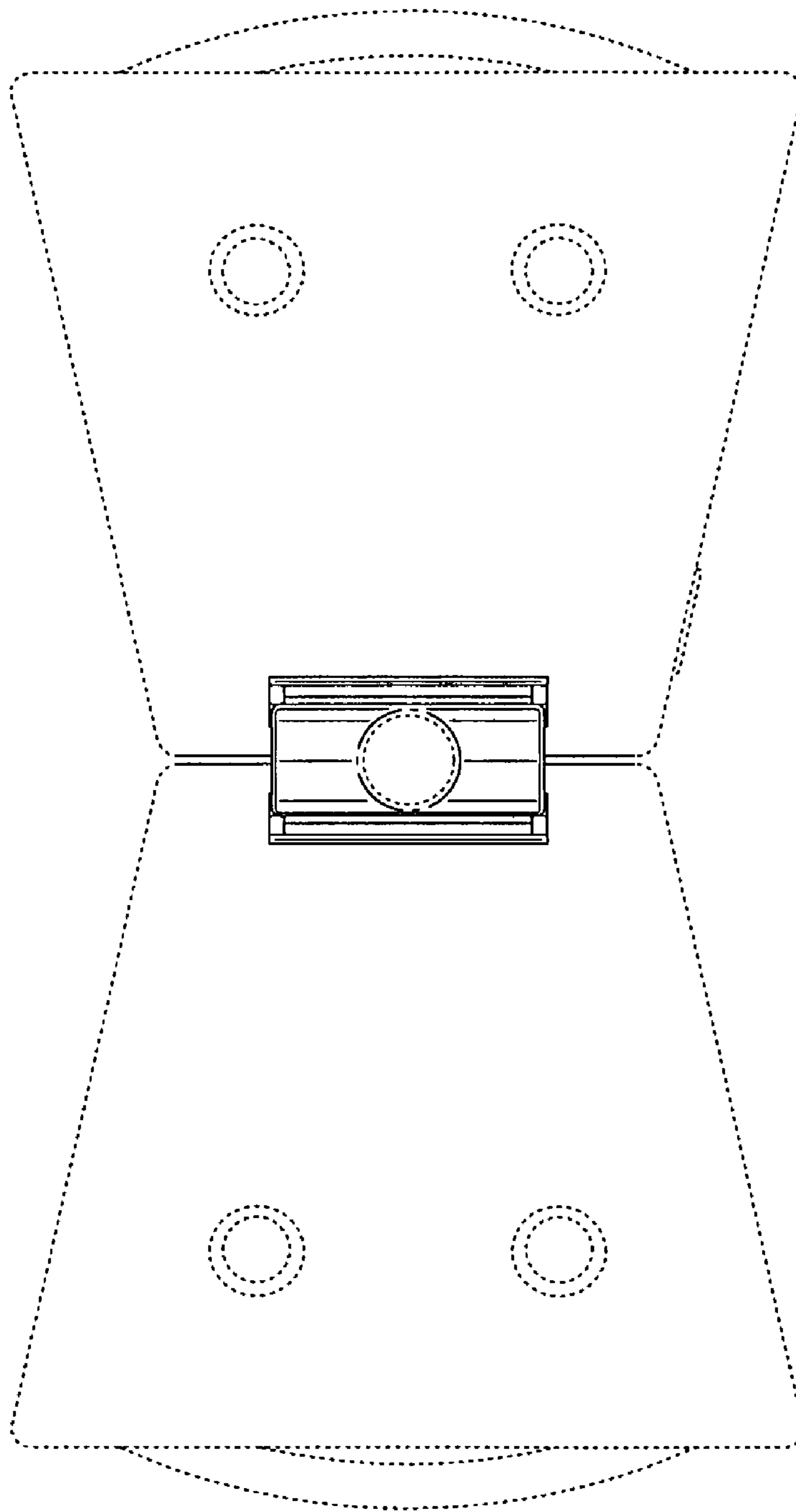


FIG.7

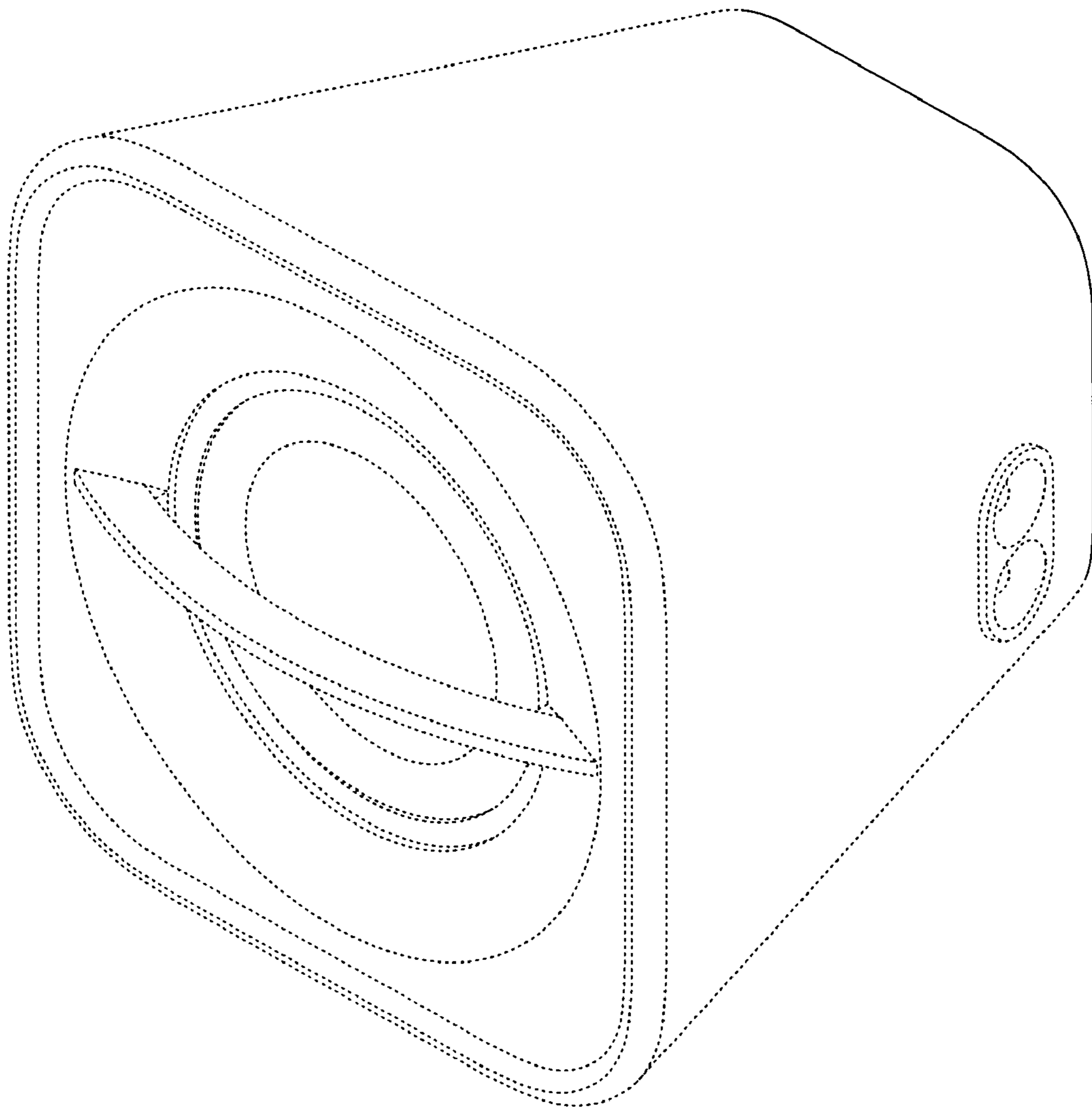




FIG.8

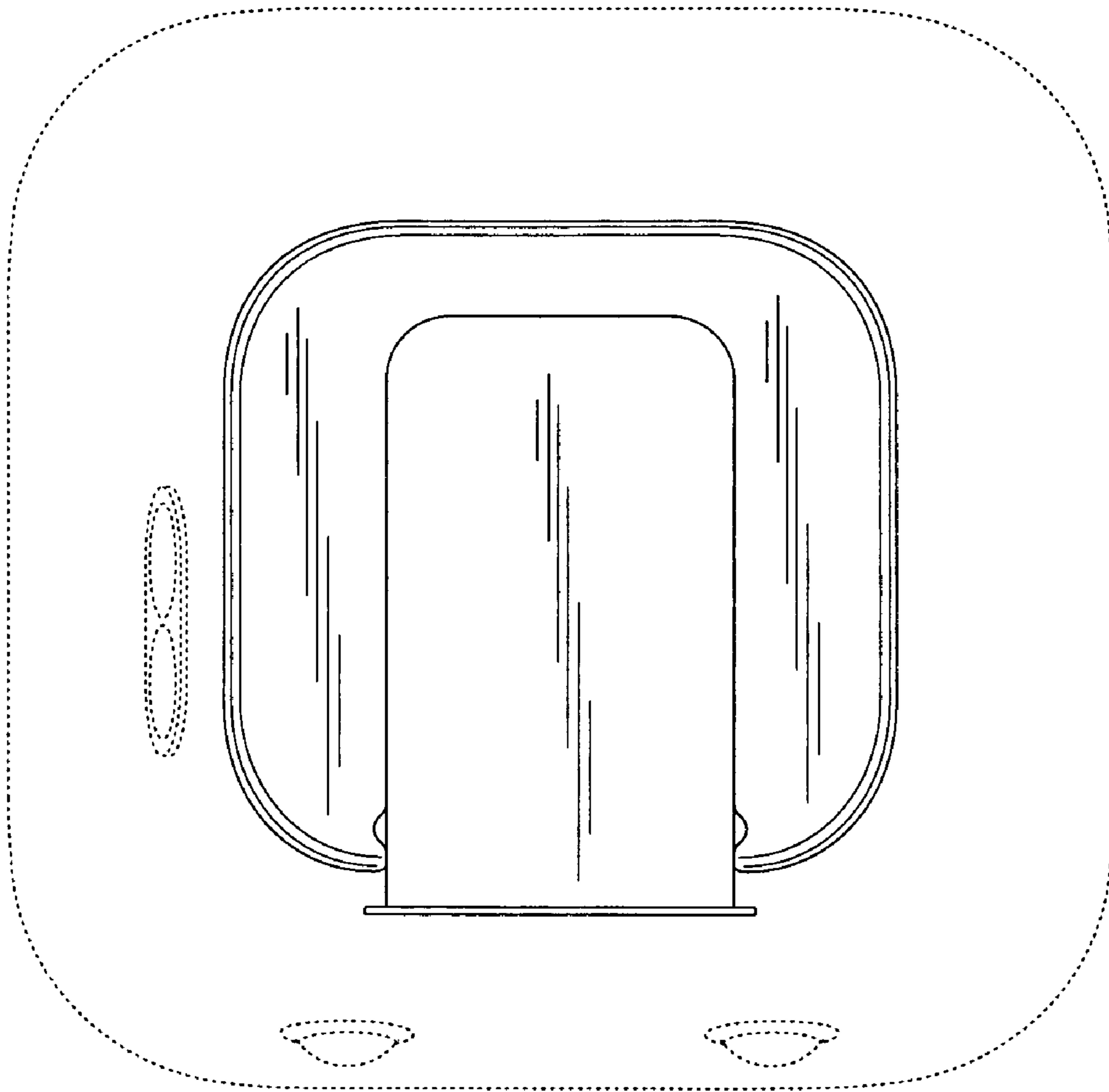


FIG.9

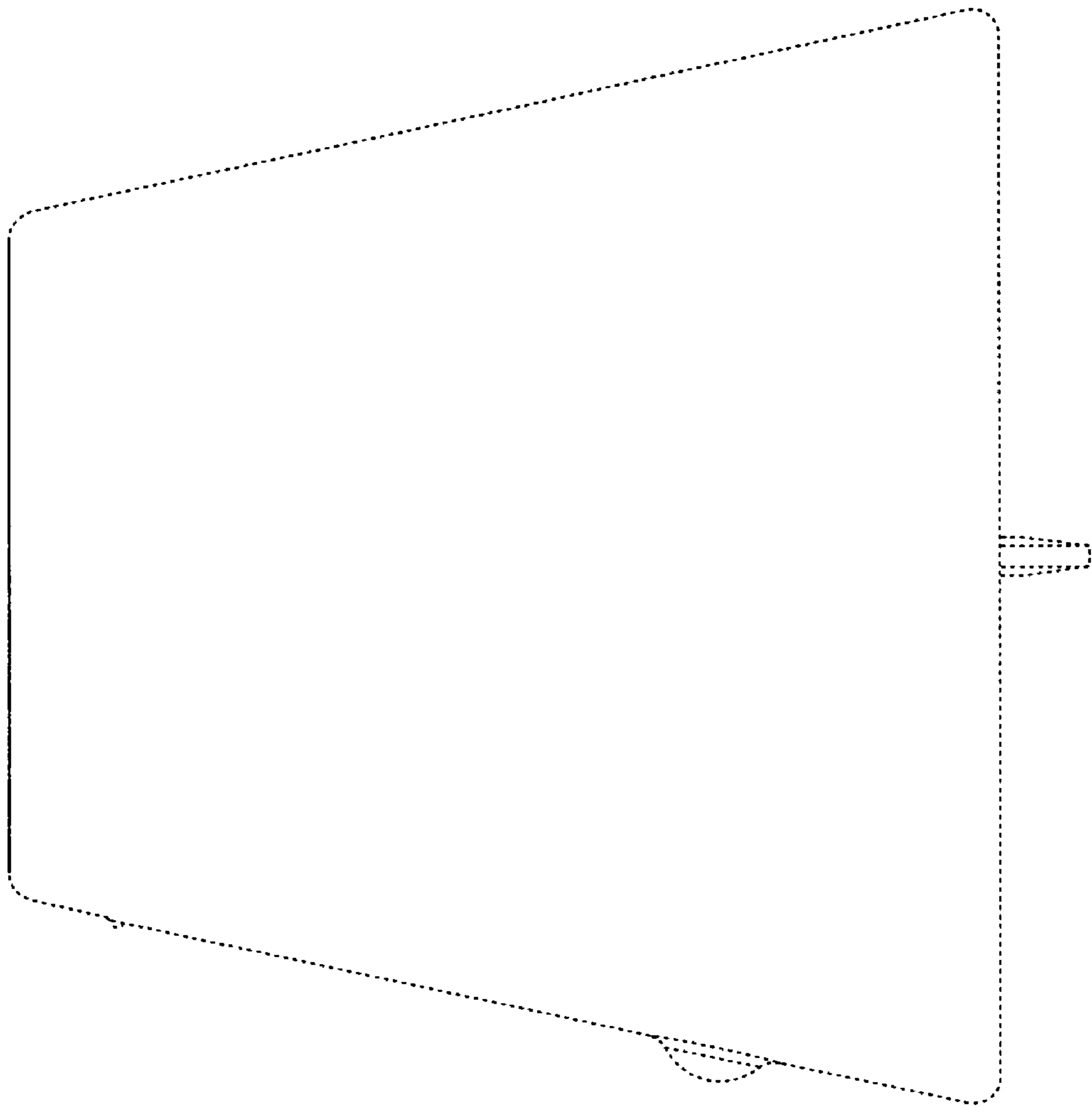


FIG.10

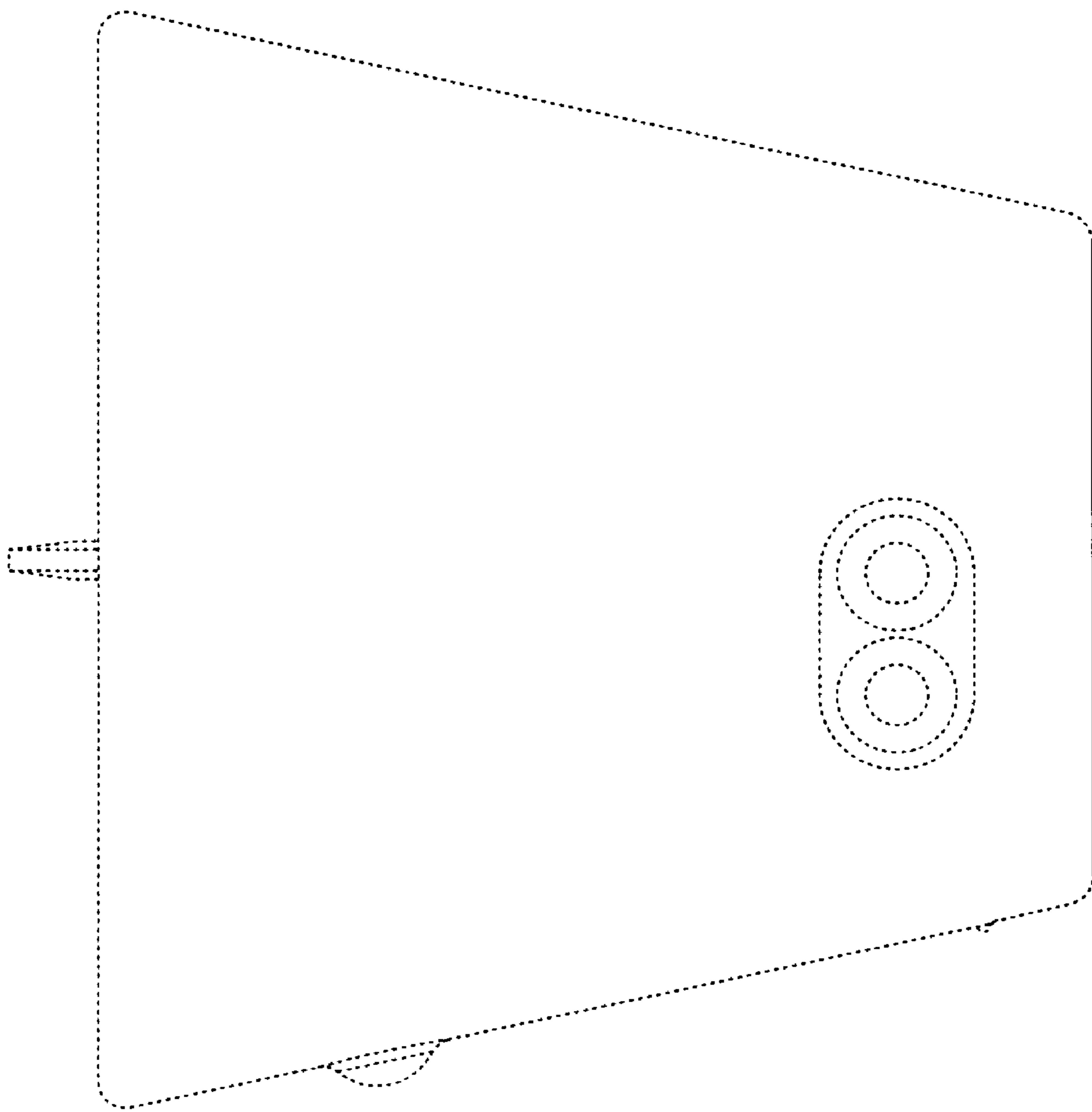


FIG. 11

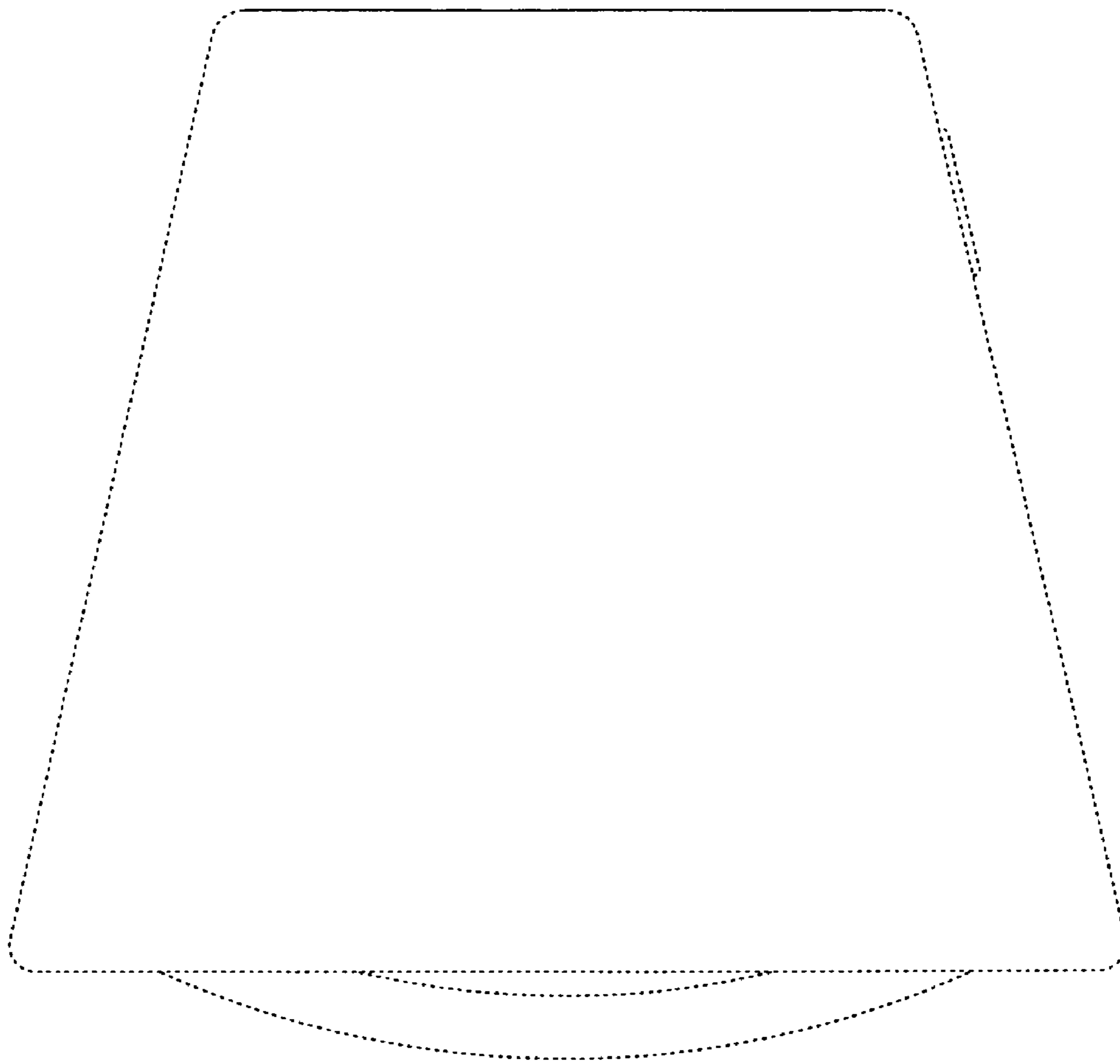


FIG.12

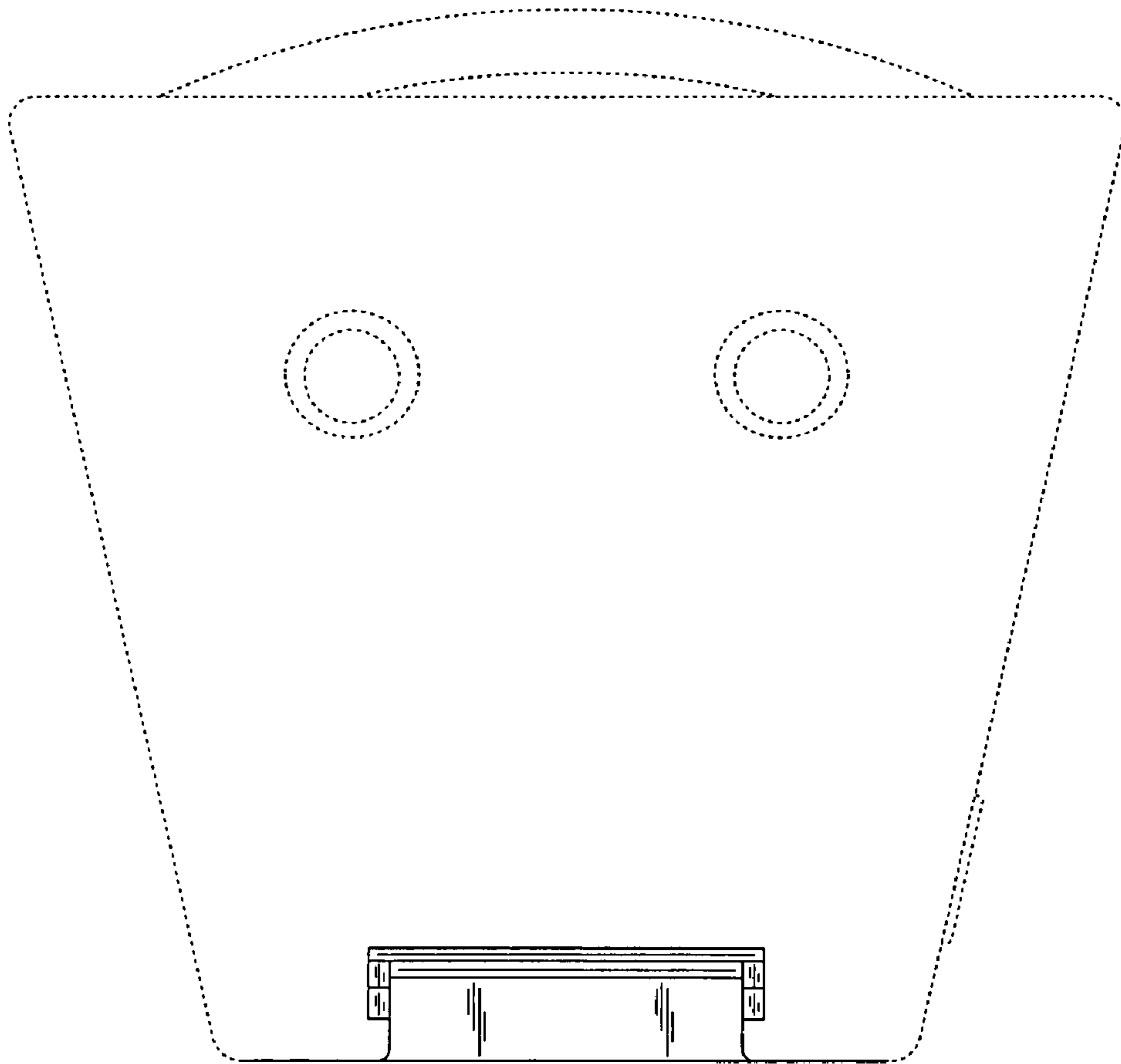


FIG. 13

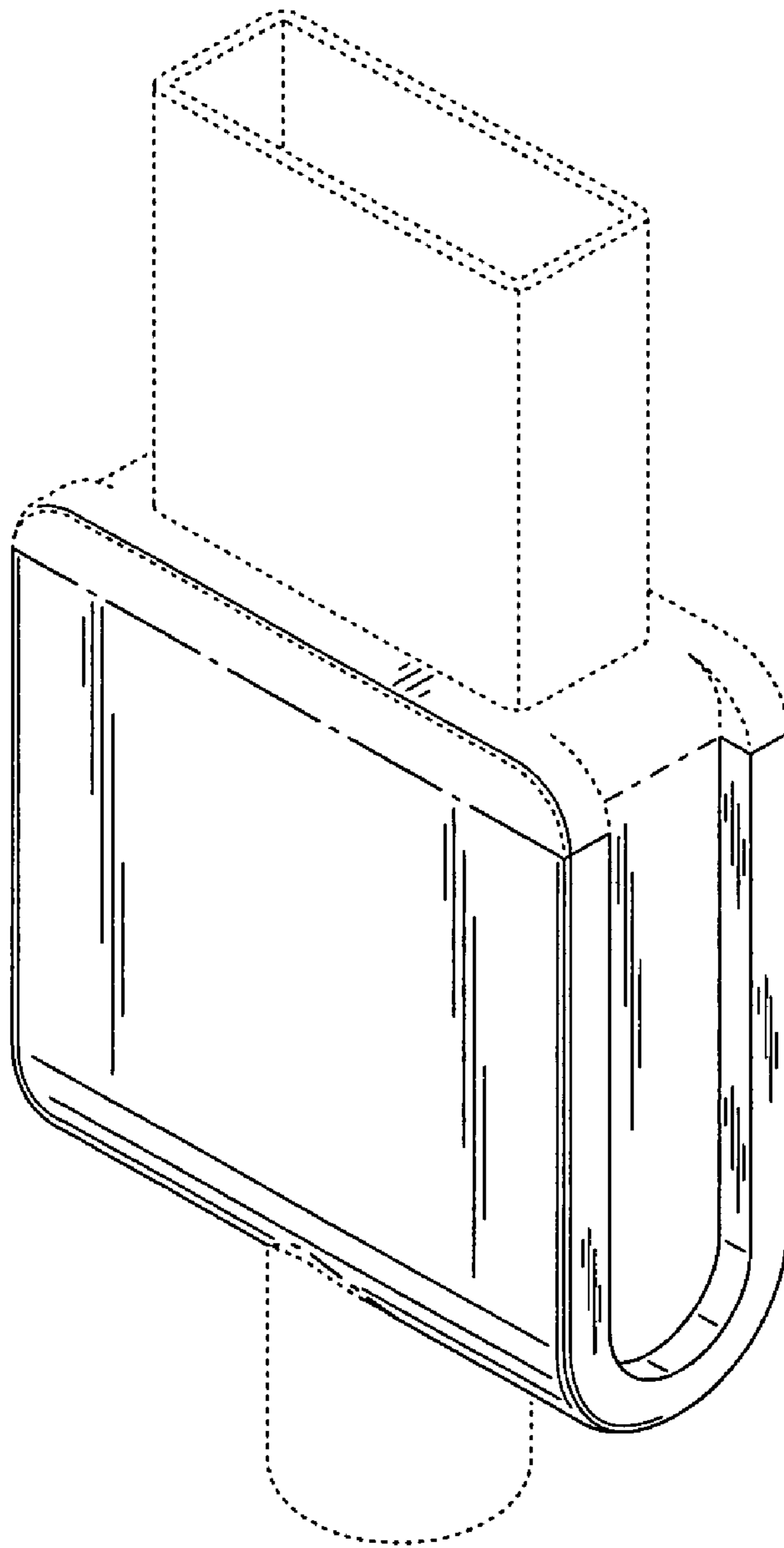


FIG.15

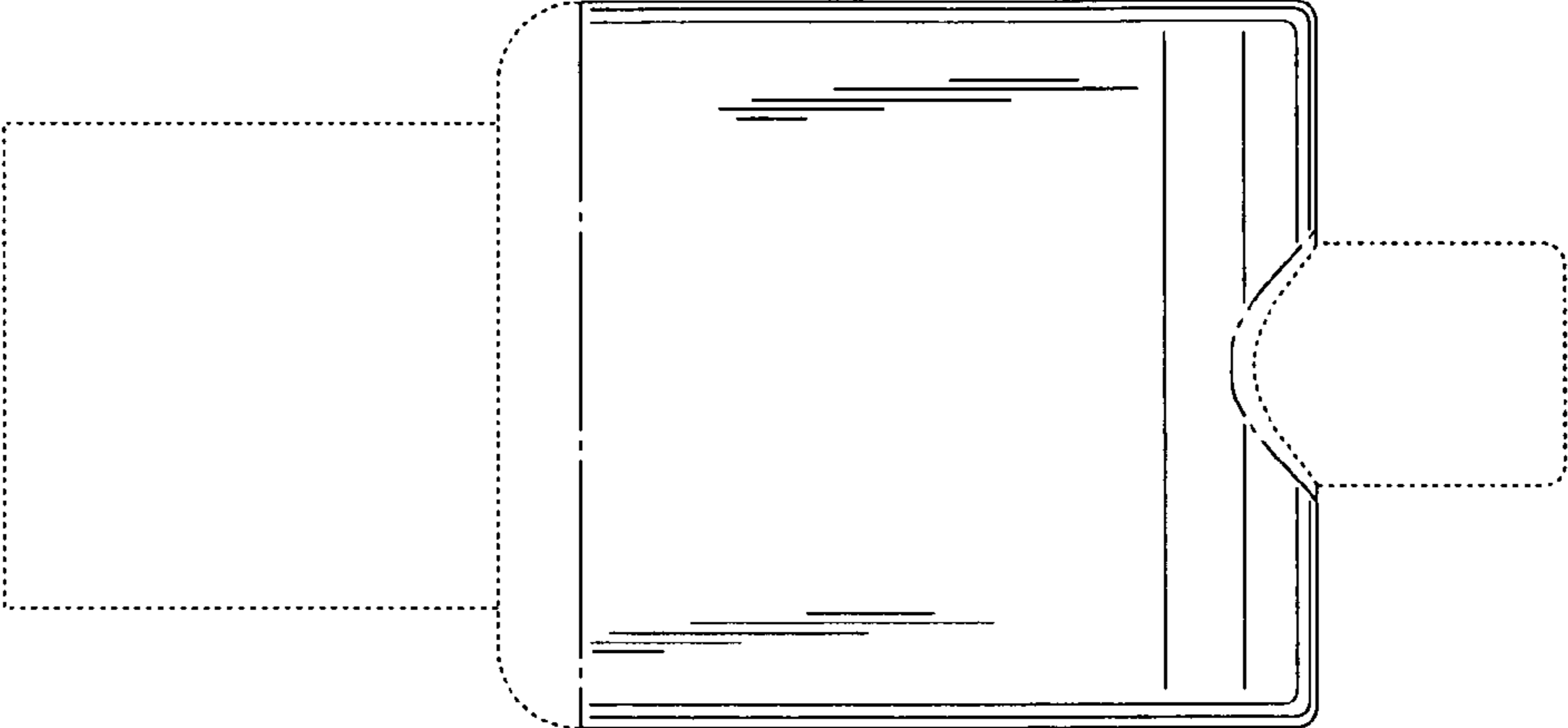


FIG.14

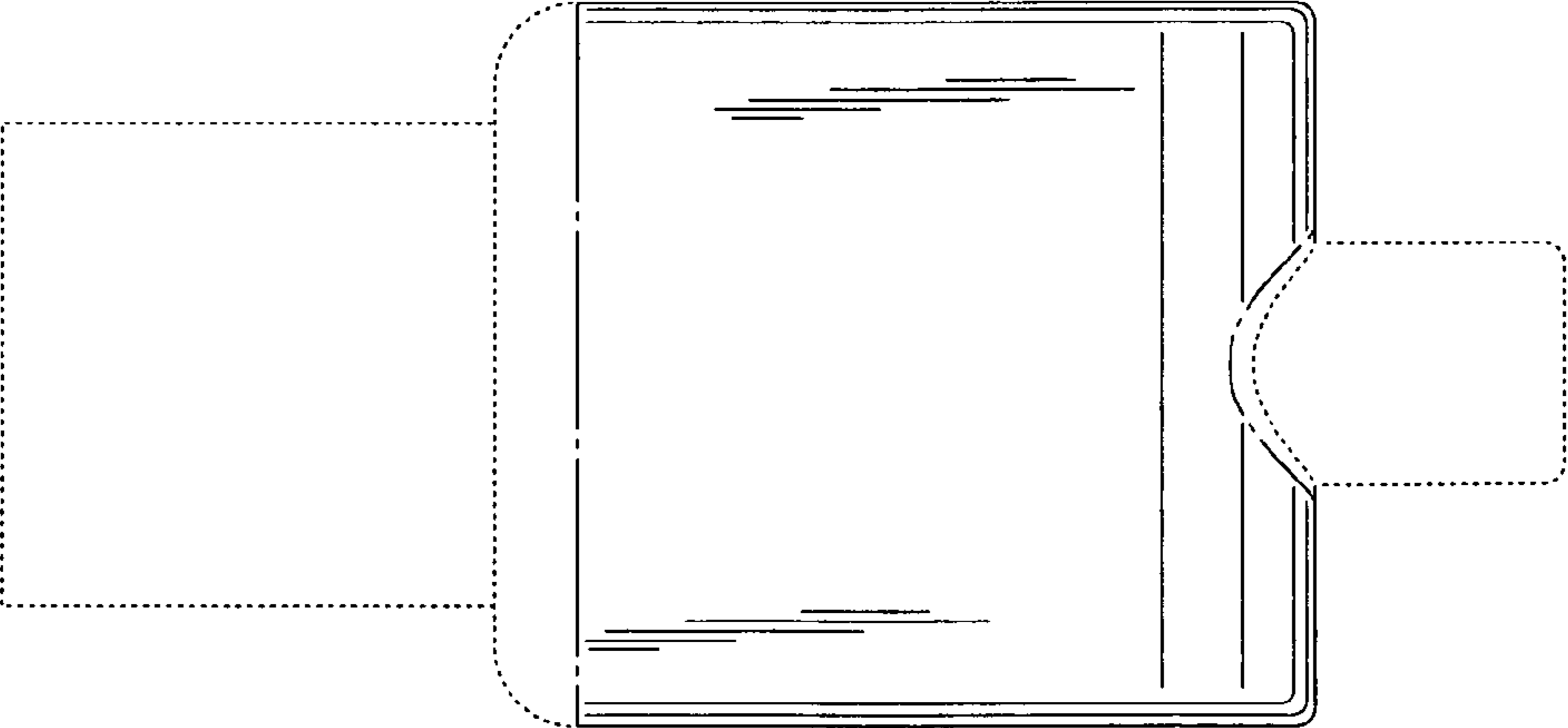


FIG.16

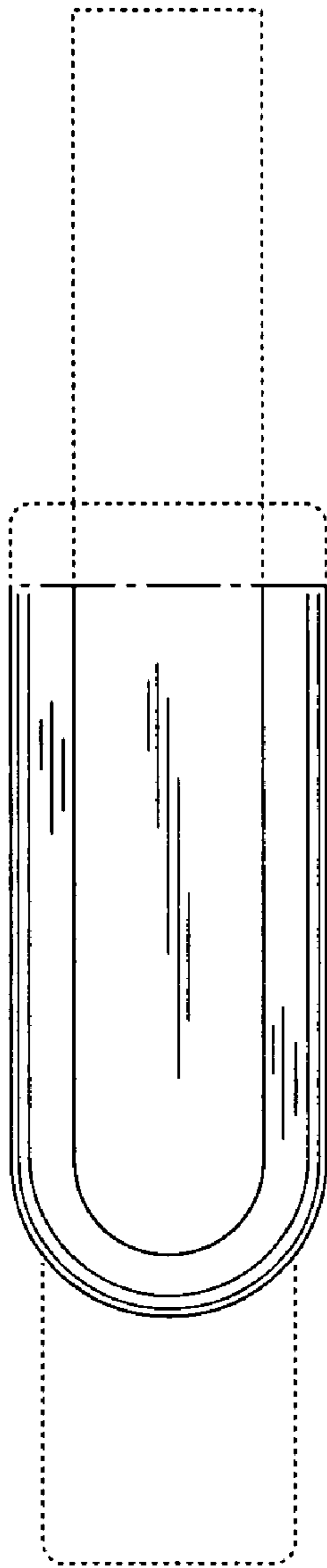


FIG.17

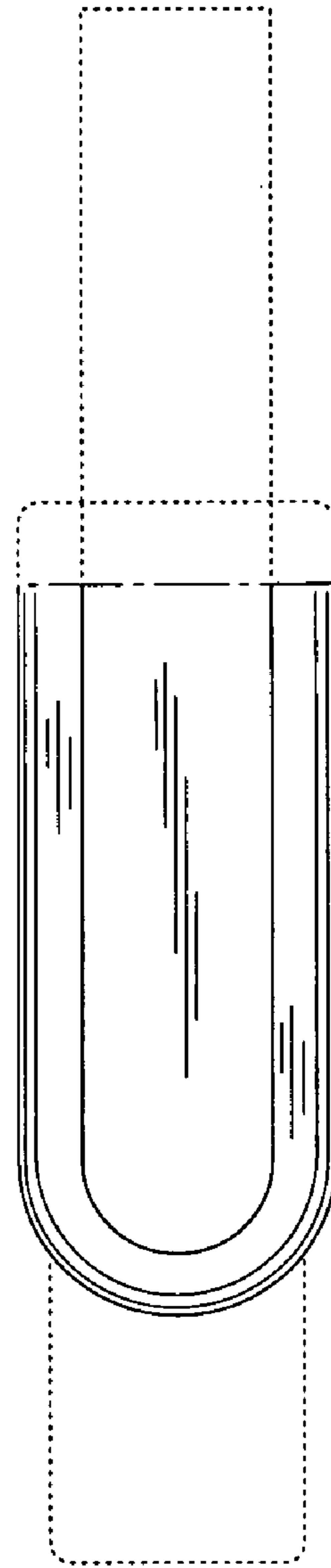




FIG. 18

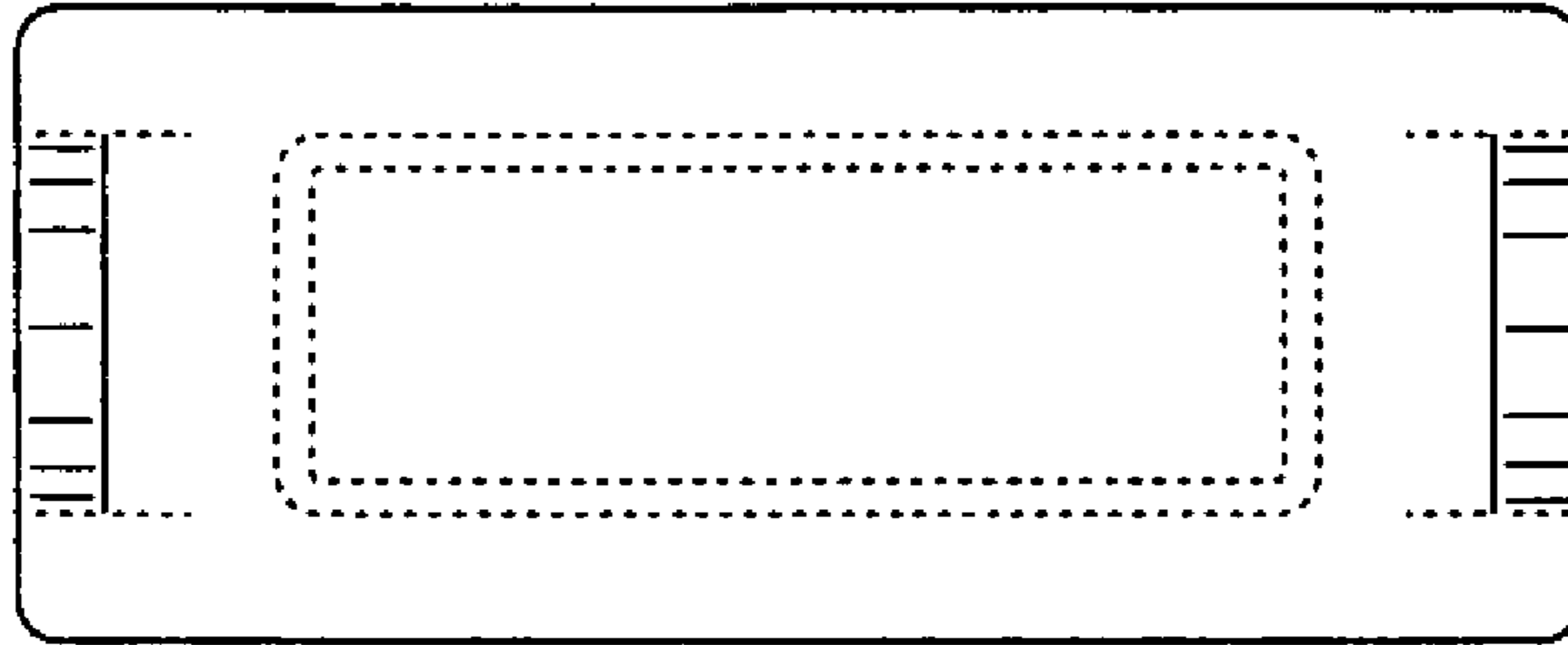


FIG. 19

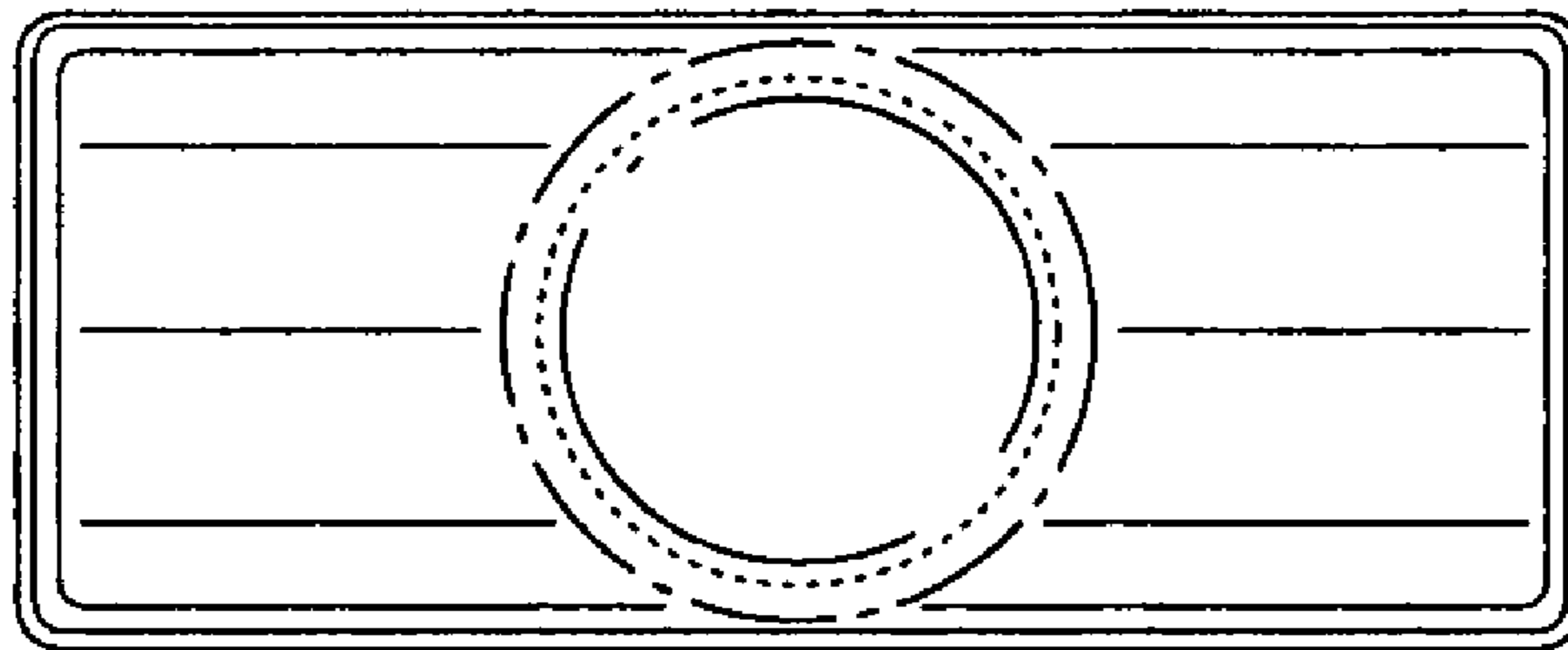
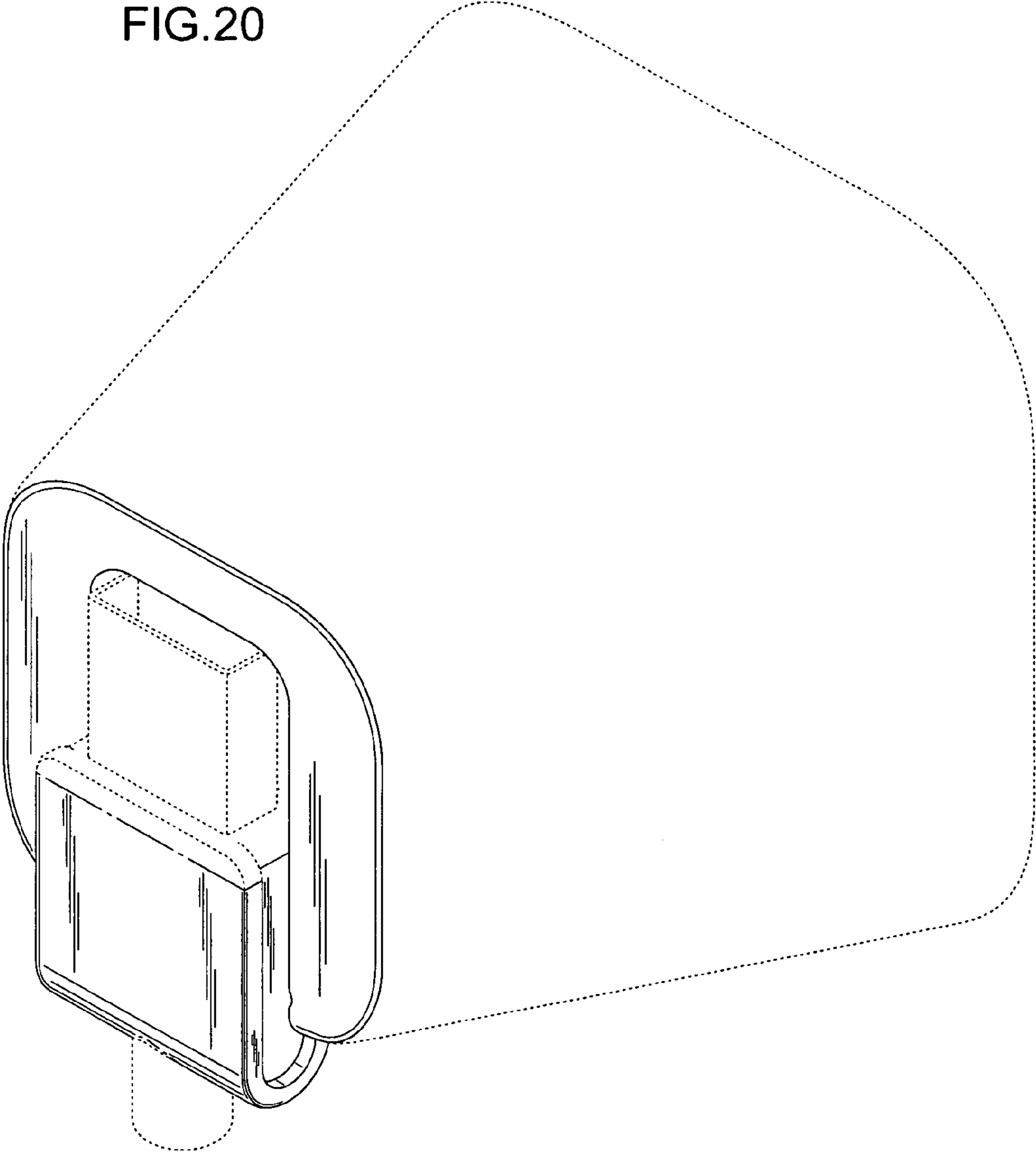


FIG.20



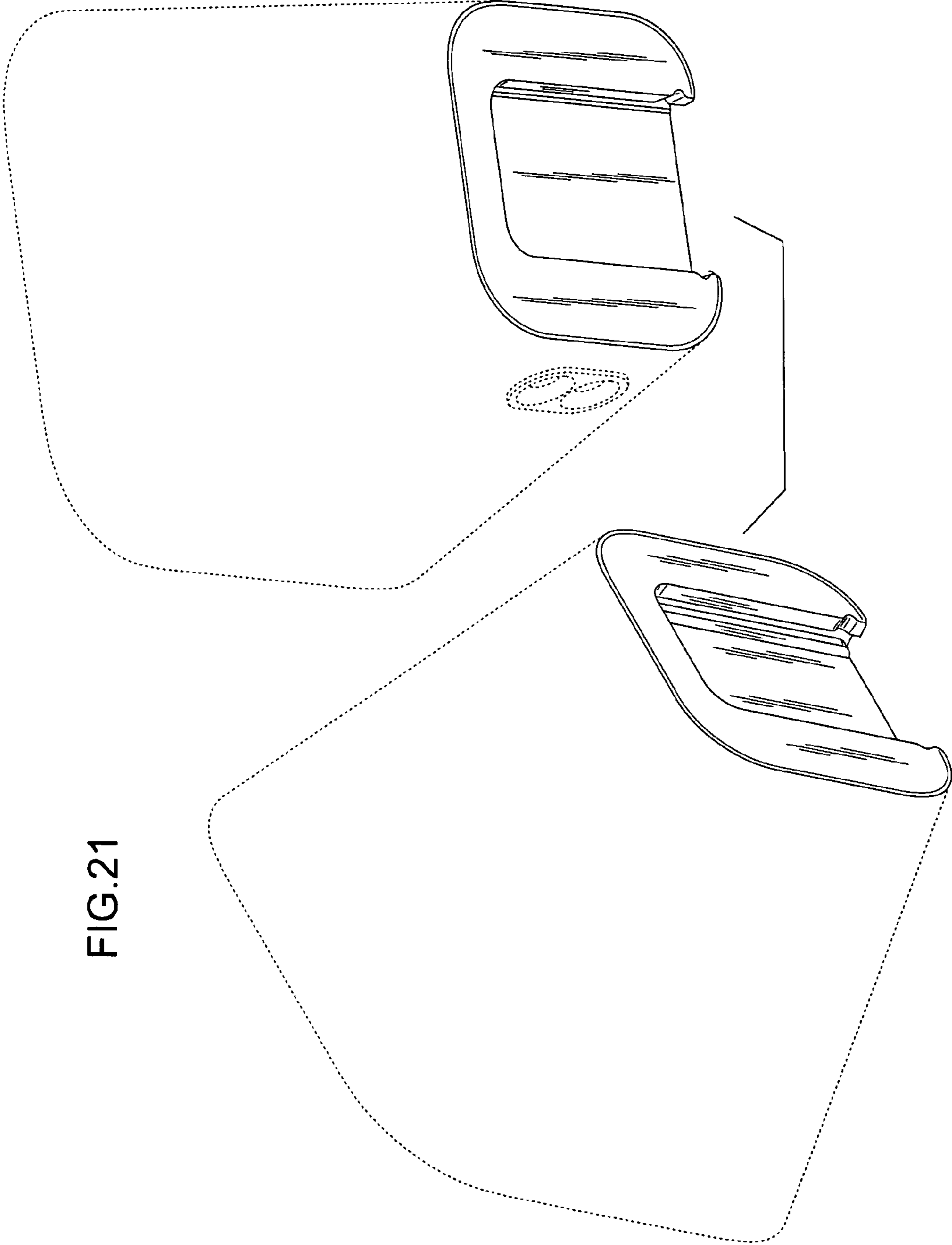
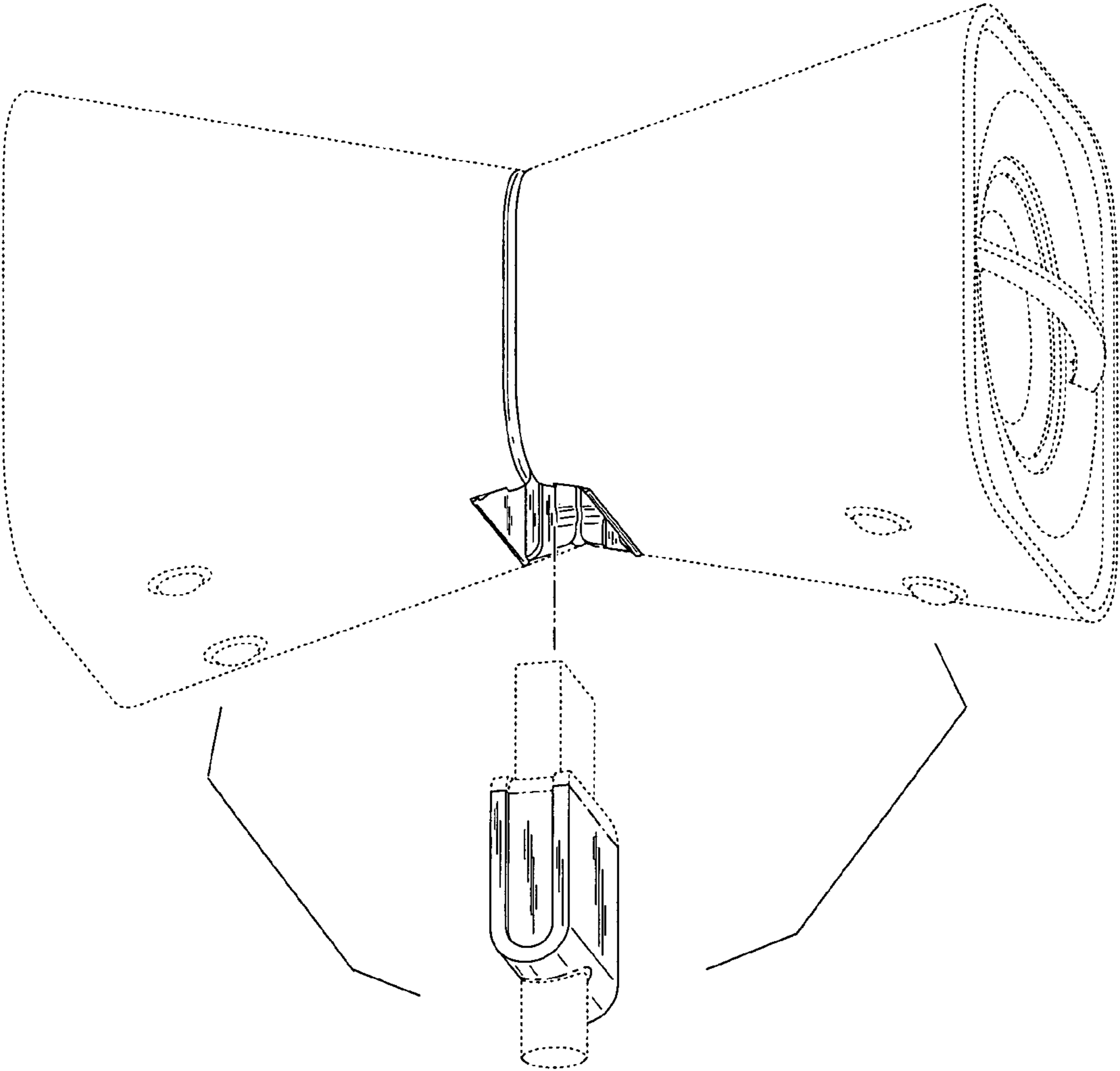


FIG.21

FIG.22



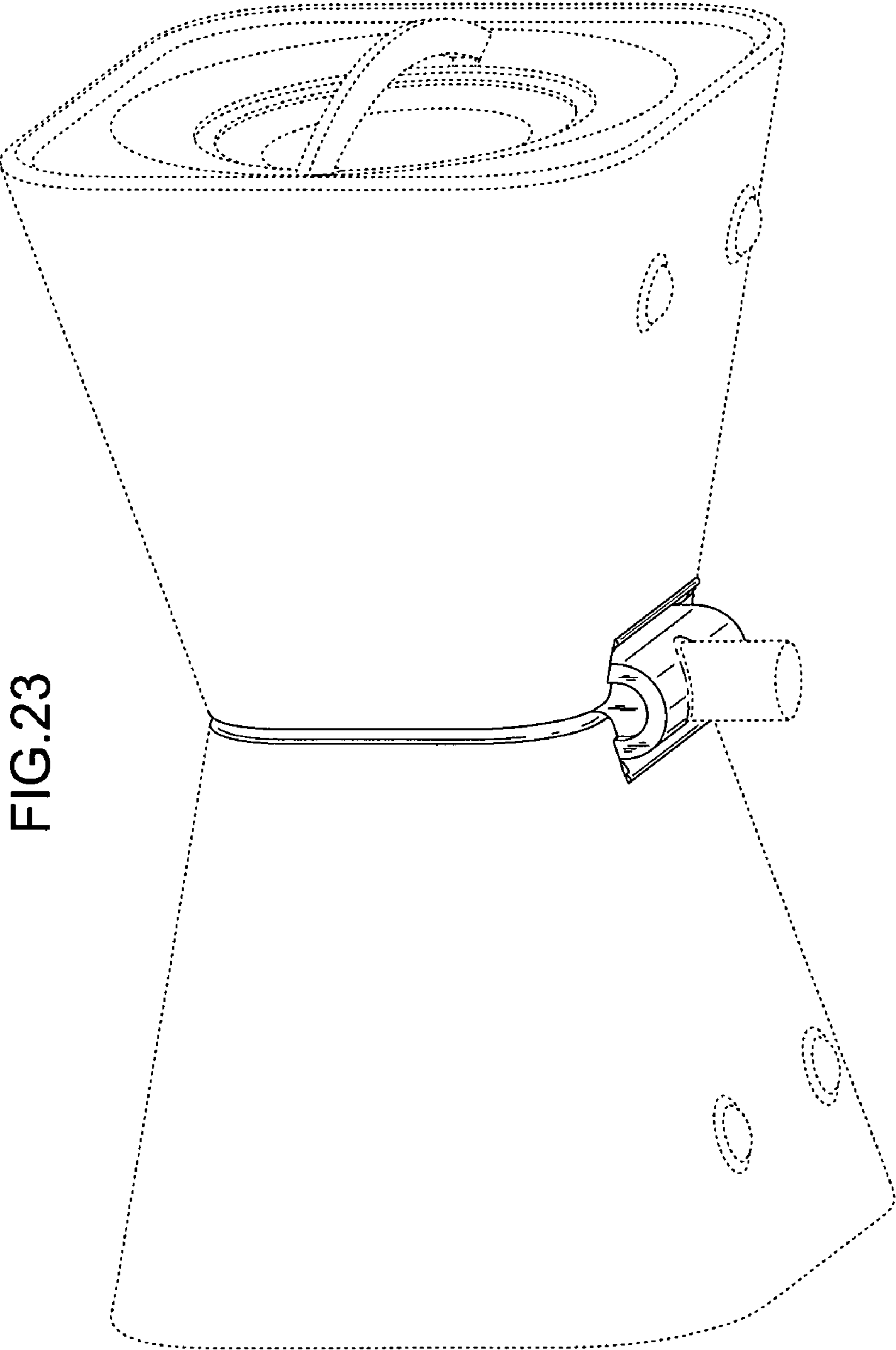


FIG. 23