



US00D659677S

(12) **United States Design Patent**
Kim et al.

(10) **Patent No.:** **US D659,677 S**
(45) **Date of Patent:** **** May 15, 2012**

(54) **SPEAKER**
(75) Inventors: **Ji-Gwang Kim**, Seoul (KR); **Chae-Joo Son**, Namyangju-si (KR)
(73) Assignee: **Samsung Electronics Co., Ltd.** (KR)
(**) Term: **14 Years**
(21) Appl. No.: **29/391,762**
(22) Filed: **May 12, 2011**
(30) **Foreign Application Priority Data**

Feb. 28, 2011 (KR) 30-2011-0007940

(51) **LOC (9) Cl.** **14-01**
(52) **U.S. Cl.** **D14/214**
(58) **Field of Classification Search** D14/204,
D14/210-216, 172; 181/143-144, 147-148,
181/150-153, 157, 198-199; 381/300-303,
381/306, 332-333, 336, 345, 361-364, 386-388
See application file for complete search history.

(56) **References Cited**

U.S. PATENT DOCUMENTS

D505,131 S * 5/2005 Lee et al. D14/215
D540,307 S * 4/2007 Han D14/211

D540,310 S * 4/2007 Yuyama D14/214
D549,690 S * 8/2007 Kimura D14/211
D551,206 S * 9/2007 Ishida D14/214
D562,800 S * 2/2008 Kim et al. D14/211
D573,133 S * 7/2008 Milks et al. D14/214

* cited by examiner

Primary Examiner — Nanda Bondade

(74) *Attorney, Agent, or Firm* — Cantor Colburn LLP

(57) **CLAIM**

The ornamental design for a speaker, as shown and described.

DESCRIPTION

FIG. 1 is a perspective view of a speaker, showing our new design;
FIG. 2 is a front elevational view thereof;
FIG. 3 is a rear elevational view thereof;
FIG. 4 is a left side elevational view thereof;
FIG. 5 is a right side elevational view thereof;
FIG. 6 is a top plan view thereof; and,
FIG. 7 is a bottom plan view thereof.

1 Claim, 7 Drawing Sheets

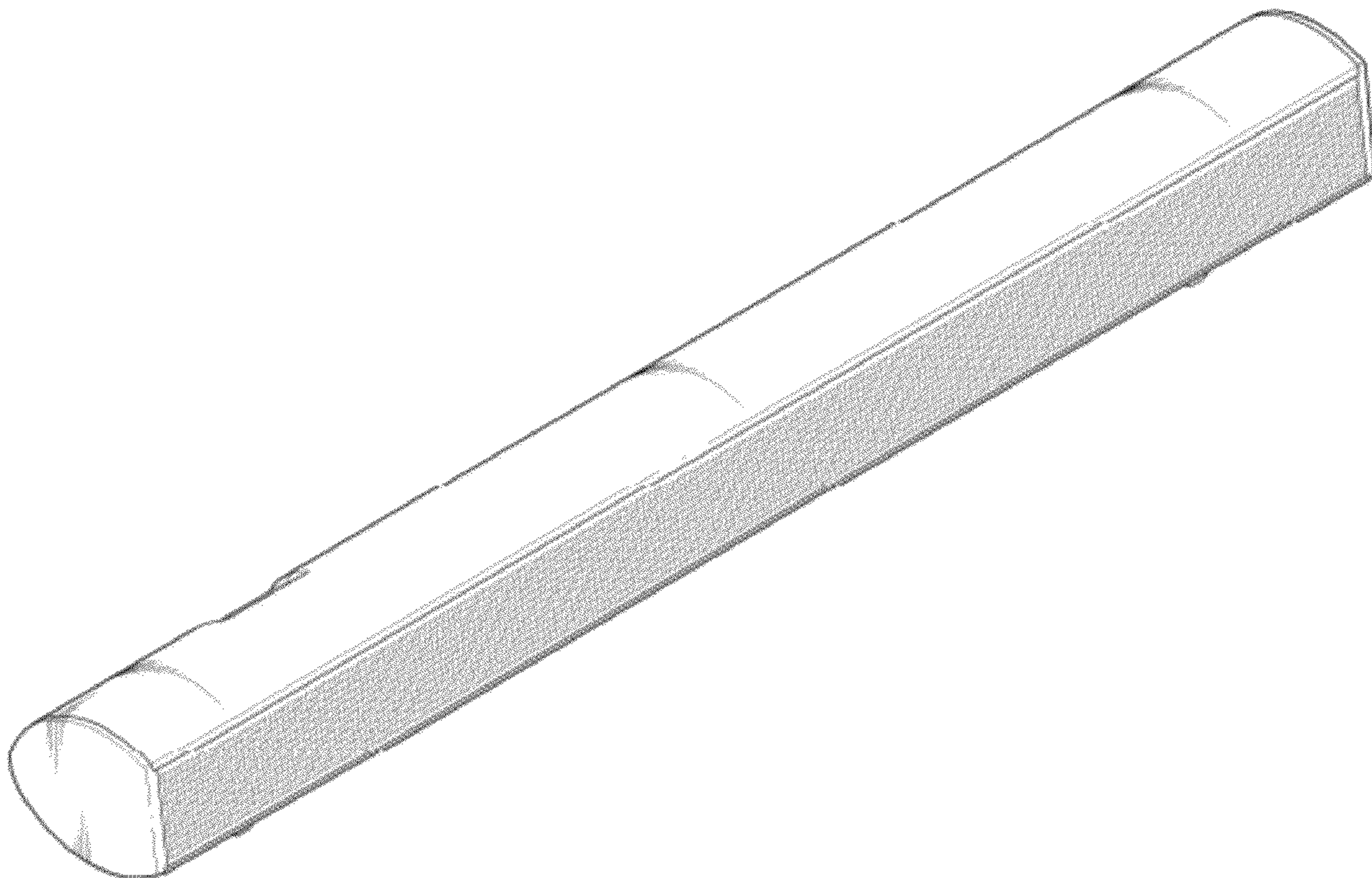


FIG.1

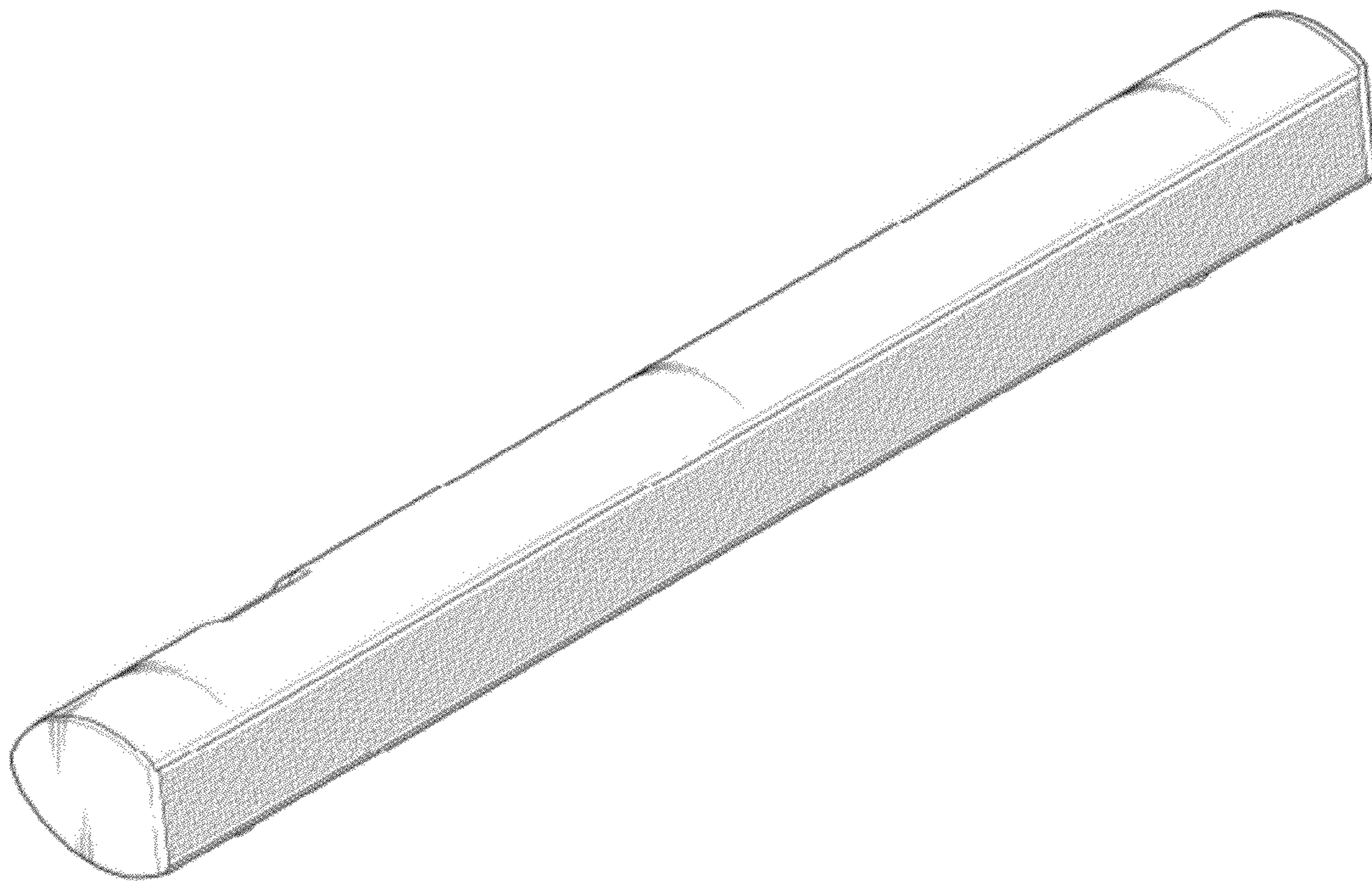


FIG.2



FIG.3

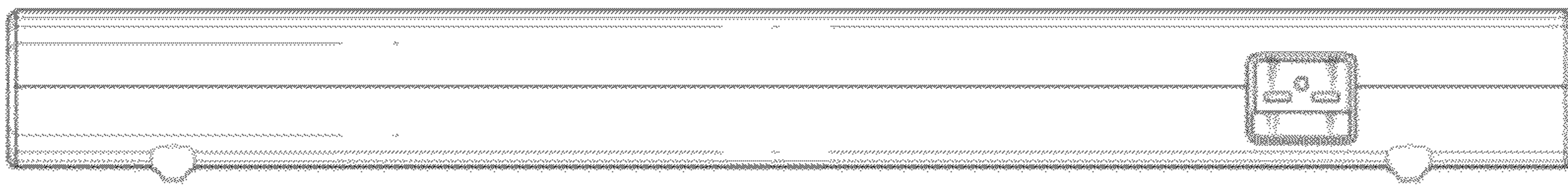


FIG. 4

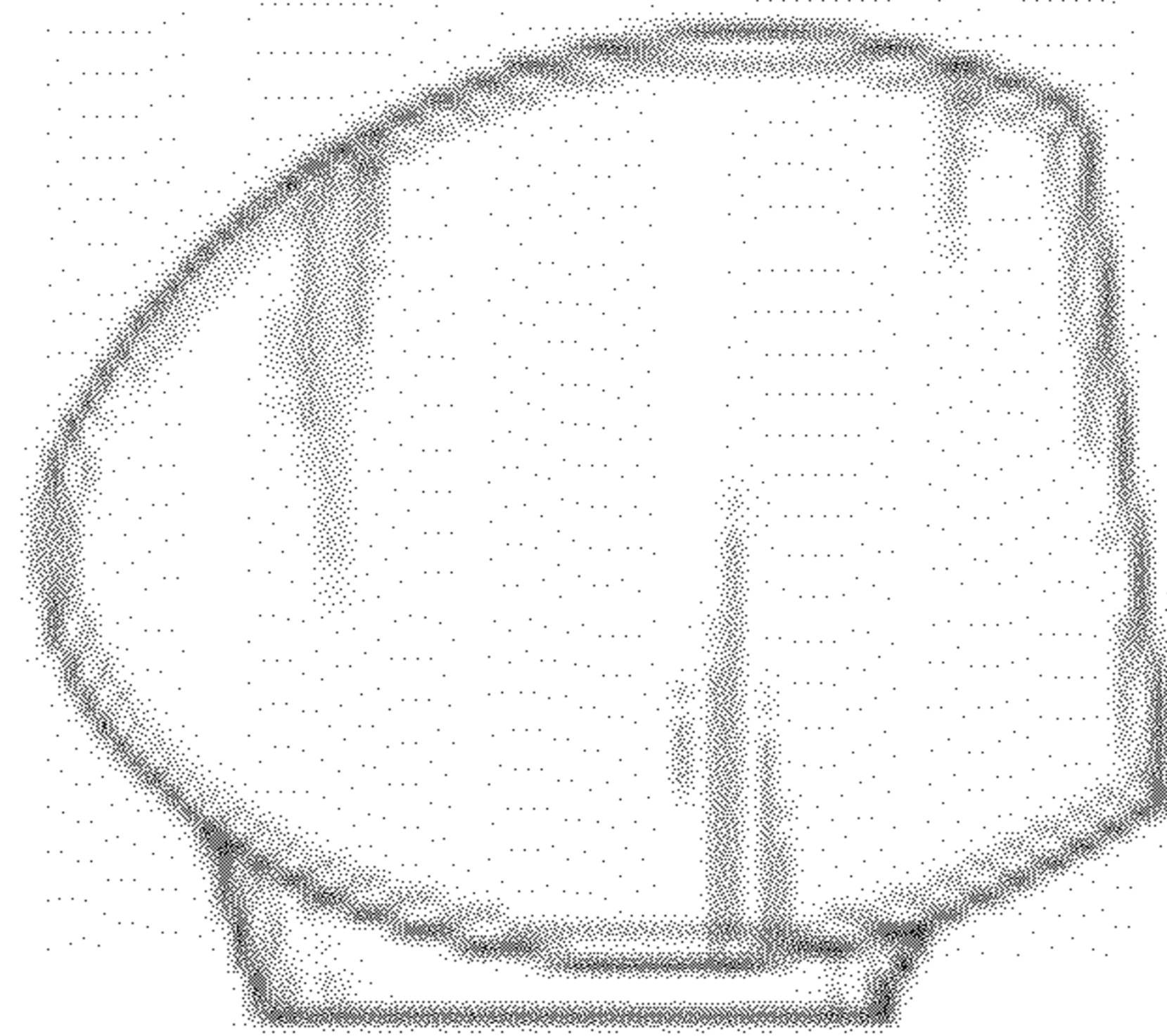


FIG. 5

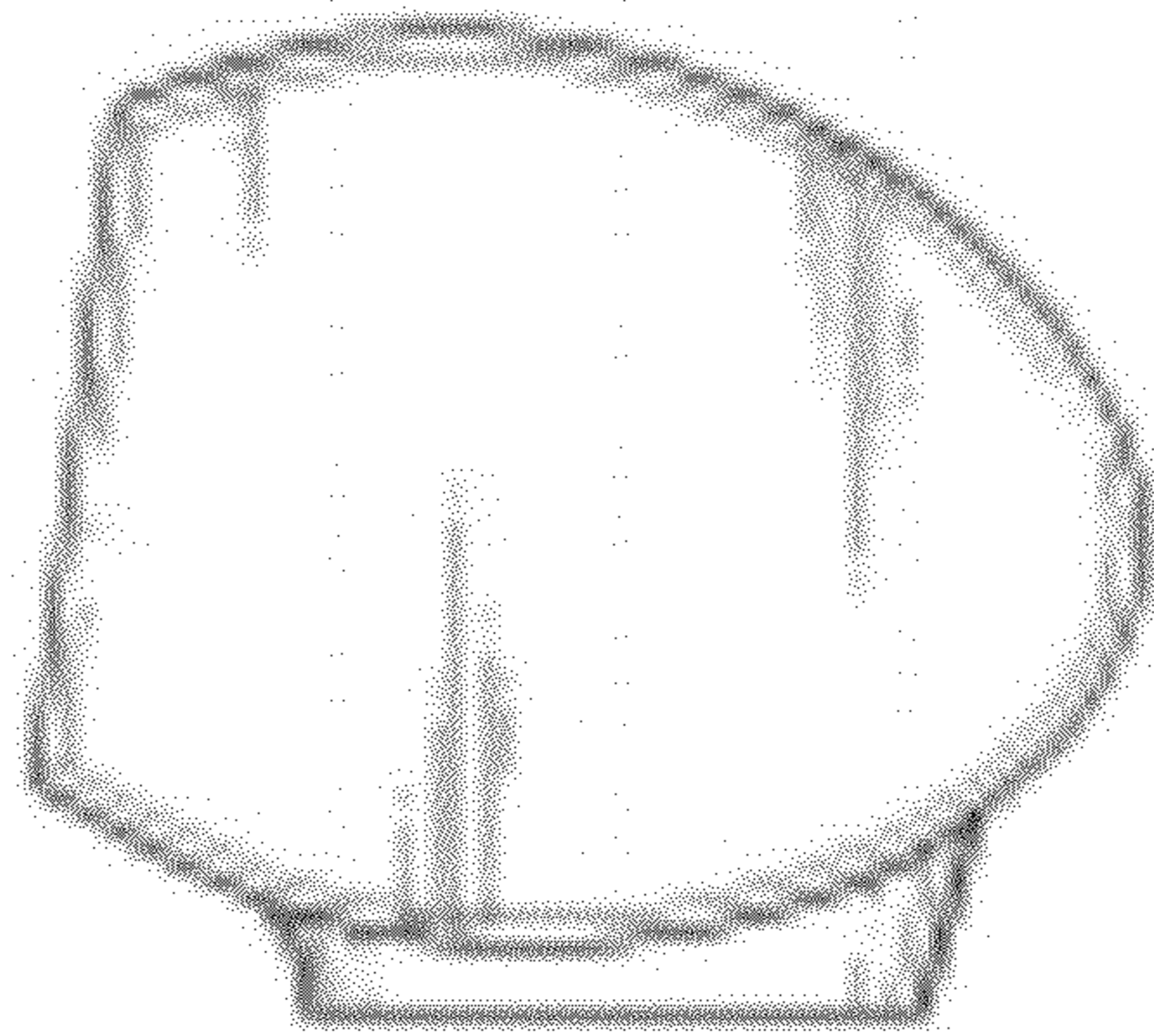


FIG.6



FIG.7

