



US00D659675S

(12) **United States Design Patent**
Kim et al.

(10) **Patent No.:** **US D659,675 S**
(45) **Date of Patent:** **** May 15, 2012**

(54) **SPEAKER**

(75) Inventors: **Ji-Gwang Kim**, Seoul (KR); **Chae-Joo Son**, Namyangju-si (KR)

(73) Assignee: **Samsung Electronics Co., Ltd.** (KR)

(**) Term: **14 Years**

(21) Appl. No.: **29/390,712**

(22) Filed: **Apr. 28, 2011**

(30) **Foreign Application Priority Data**

Jan. 18, 2011 (KR) 30-2011-0002093

(51) **LOC (9) Cl.** **14-01**

(52) **U.S. Cl.** **D14/211**

(58) **Field of Classification Search** D14/204,
D14/210–216, 172; 181/143–144, 147–148,
181/150–153, 157, 198–199; 381/300–303,
381/306, 332–333, 336, 345, 361–364, 386–388

See application file for complete search history.

(56) **References Cited**

U.S. PATENT DOCUMENTS

D518,025	S	*	3/2006	Omori et al.	D14/211
D539,270	S	*	3/2007	Leung et al.	D14/211
D597,527	S	*	8/2009	Kim et al.	D14/211
D611,453	S	*	3/2010	Park et al.	D14/211

* cited by examiner

Primary Examiner — Nanda Bondade

(74) *Attorney, Agent, or Firm* — Cantor Colburn LLP

(57) **CLAIM**

The ornamental design for a speaker, as shown and described.

DESCRIPTION

FIG. 1 is a perspective view of a speaker, showing our new design;

FIG. 2 is a front elevational view thereof;

FIG. 3 is a rear elevational view thereof;

FIG. 4 is a left side elevational view thereof;

FIG. 5 is a right side elevational view thereof;

FIG. 6 is a top plan view thereof; and,

FIG. 7 is a bottom plan view thereof.

1 Claim, 7 Drawing Sheets

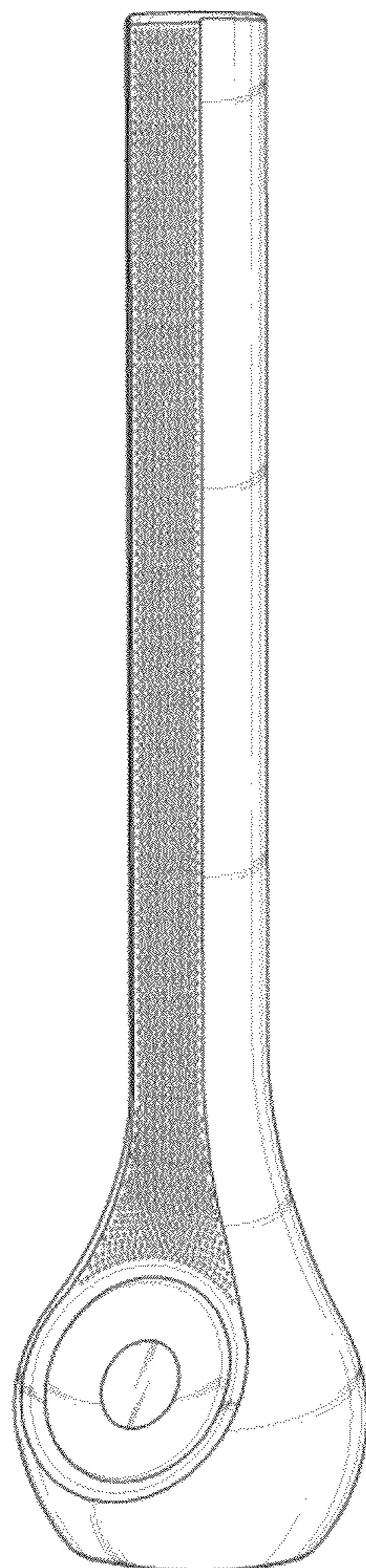


FIG. 1

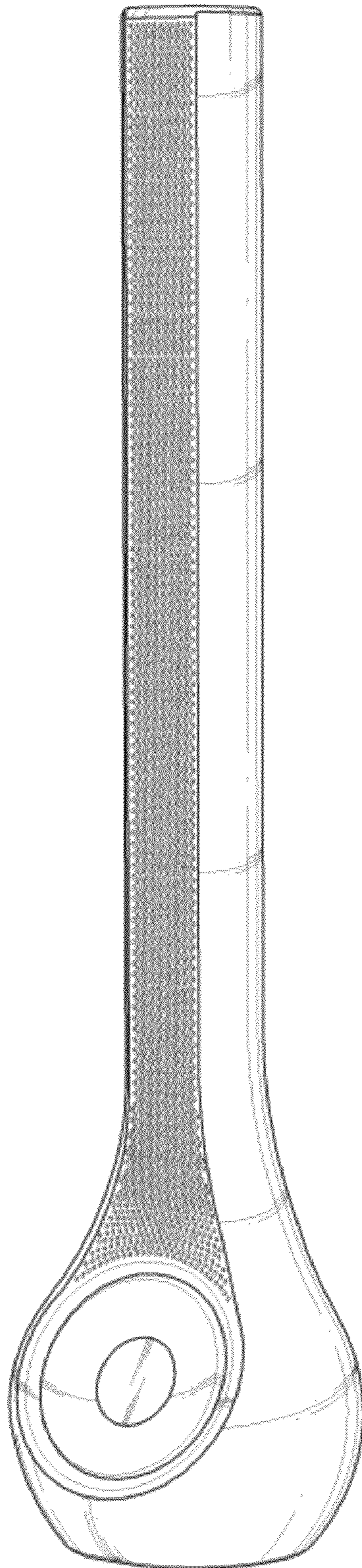


FIG.2

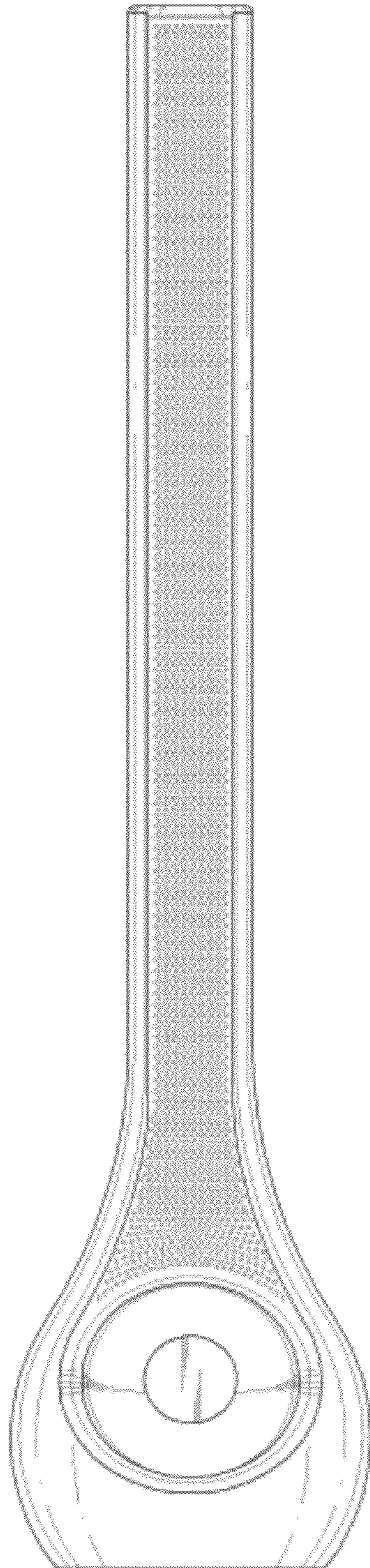


FIG. 3

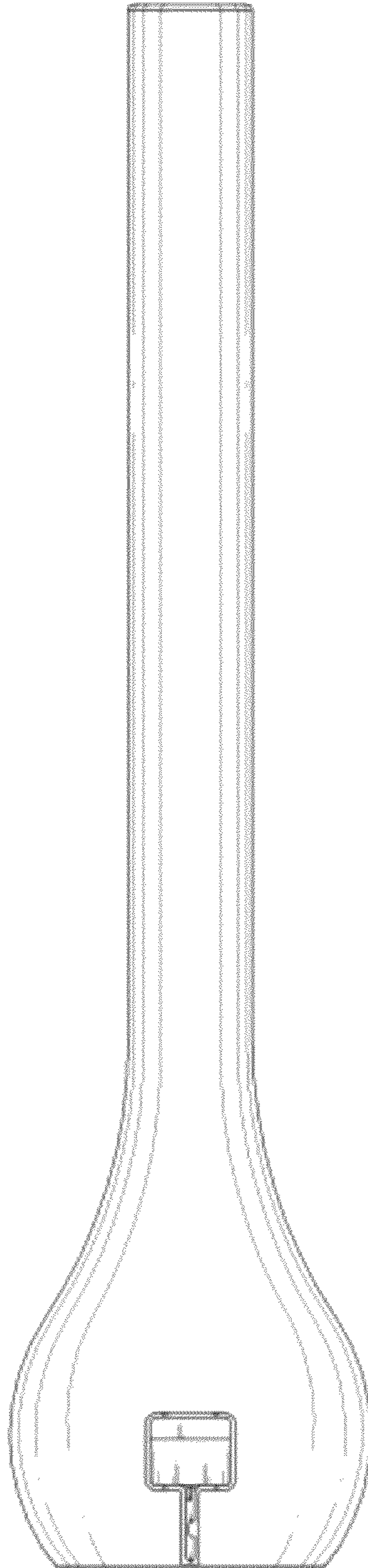


FIG. 4

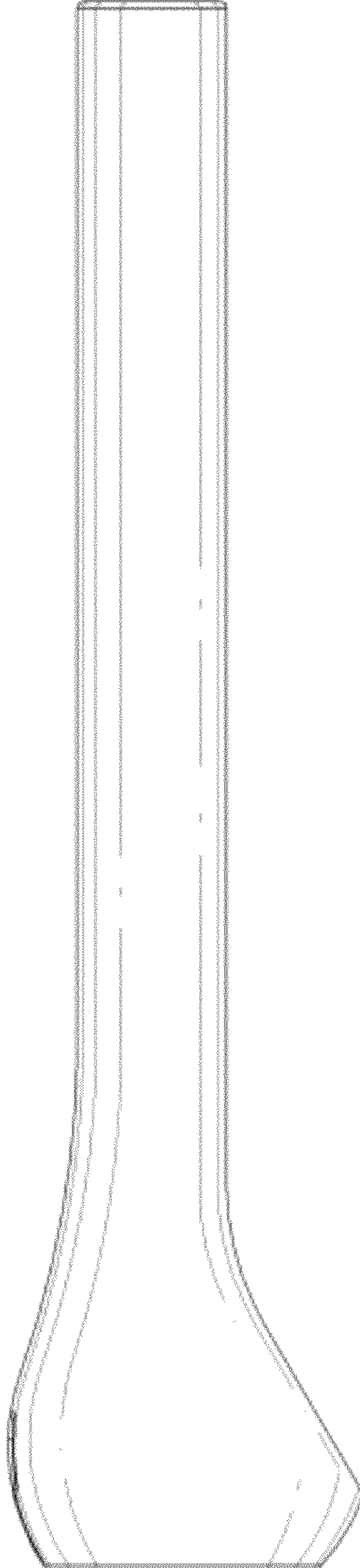


FIG.5

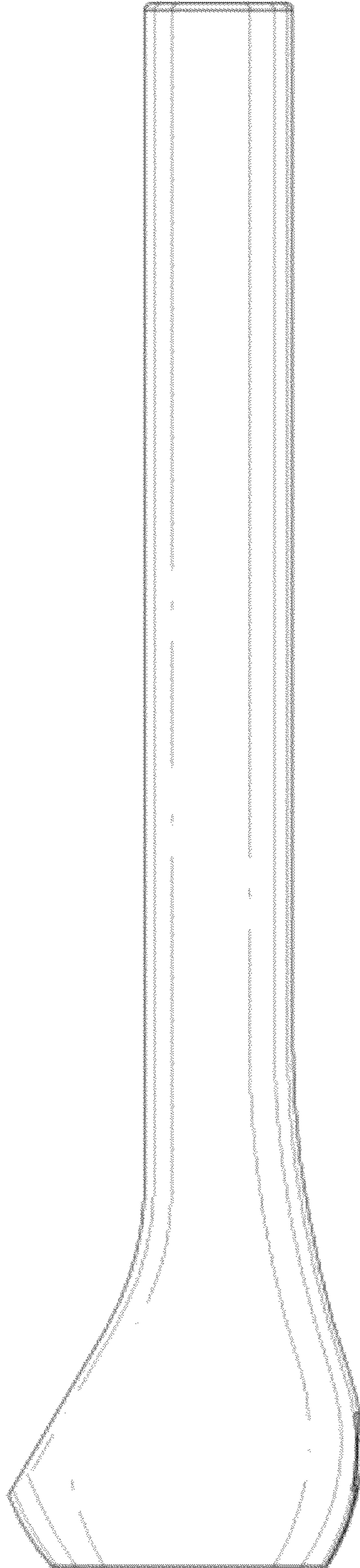


FIG.6

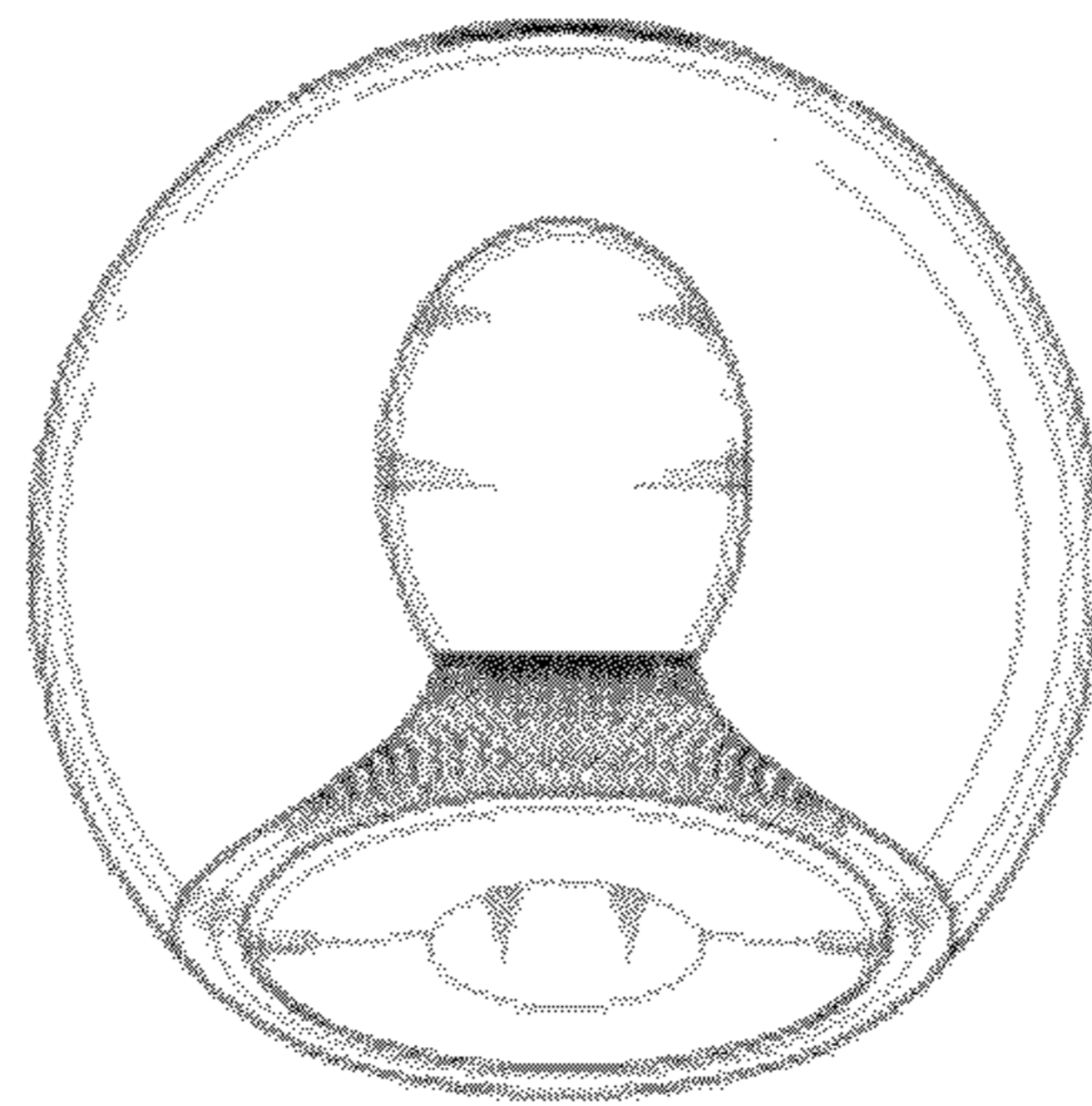


FIG.7

