



US00D659674S

(12) **United States Design Patent**
Fathollahi

(10) **Patent No.:** **US D659,674 S**

(45) **Date of Patent:** **** May 15, 2012**

(54) **AUDIO SPEAKER**

Primary Examiner — Nanda Bondade

(76) **Inventor:** **Nausser Fathollahi**, Irvine, CA (US)

(74) *Attorney, Agent, or Firm* — Klein, O'Neill & Singh, LLP

(**) **Term:** **14 Years**

(57) **CLAIM**

The ornamental design for an audio speaker, as shown.

(21) **Appl. No.:** **29/389,220**

(22) **Filed:** **Apr. 7, 2011**

DESCRIPTION

(51) **LOC (9) Cl.** **14-01**

FIG. 1 is a front and top perspective view of an audio speaker in accordance with my new design;

(52) **U.S. Cl.** **D14/211**

FIG. 2 is a front elevational view of the audio speaker shown in FIG. 1;

(58) **Field of Classification Search** D14/204,
D14/207, 209.1, 210–216, 172, 168; 181/143–144,
181/147–148, 150–153, 157, 198–199;
381/300–303, 306, 332–333, 336, 345, 361–364,
381/386–388

FIG. 3 is a top plan view of the audio speaker shown in FIG. 1;

See application file for complete search history.

FIG. 4 is a bottom plan view of the audio speaker shown in FIG. 1;

(56) **References Cited**

FIG. 5 is a rear elevational view of the audio speaker shown in FIG. 1;

U.S. PATENT DOCUMENTS

D438,530 S * 3/2001 Sawhney et al. D14/211
D520,493 S * 5/2006 Amsel D14/211

FIG. 6 is a side elevational view of the audio speaker, taken from the left side of FIG. 2; and,

FIG. 7 is a side elevational view of the audio speaker, taken from the right side of FIG. 2.

* cited by examiner

1 Claim, 2 Drawing Sheets

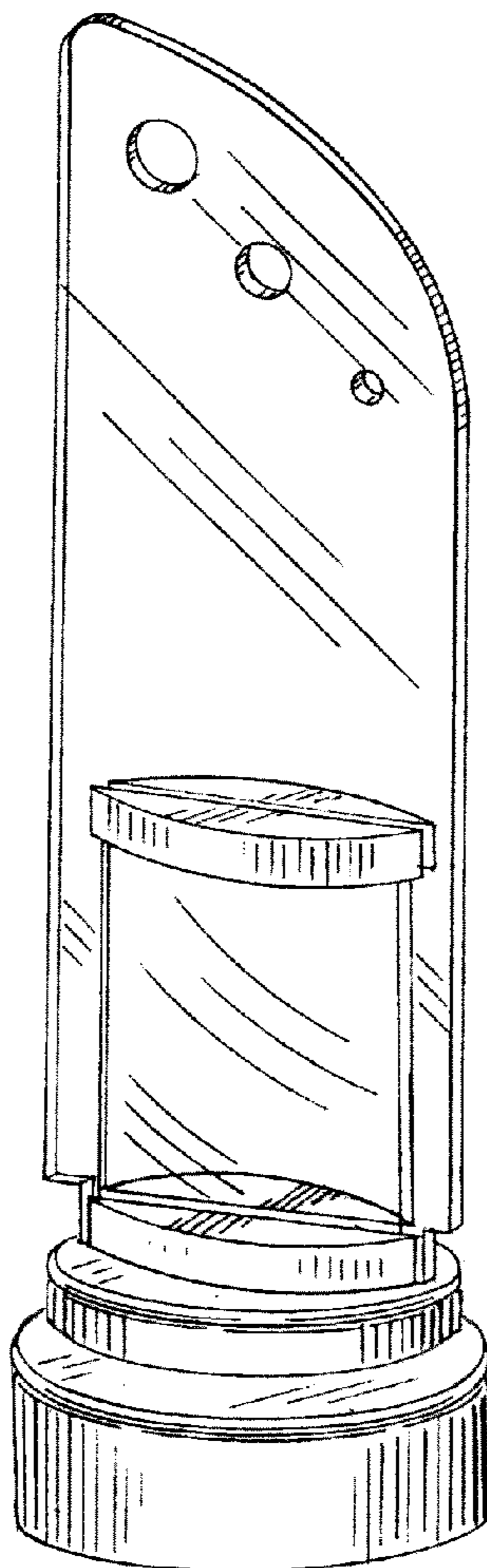


FIG. 1

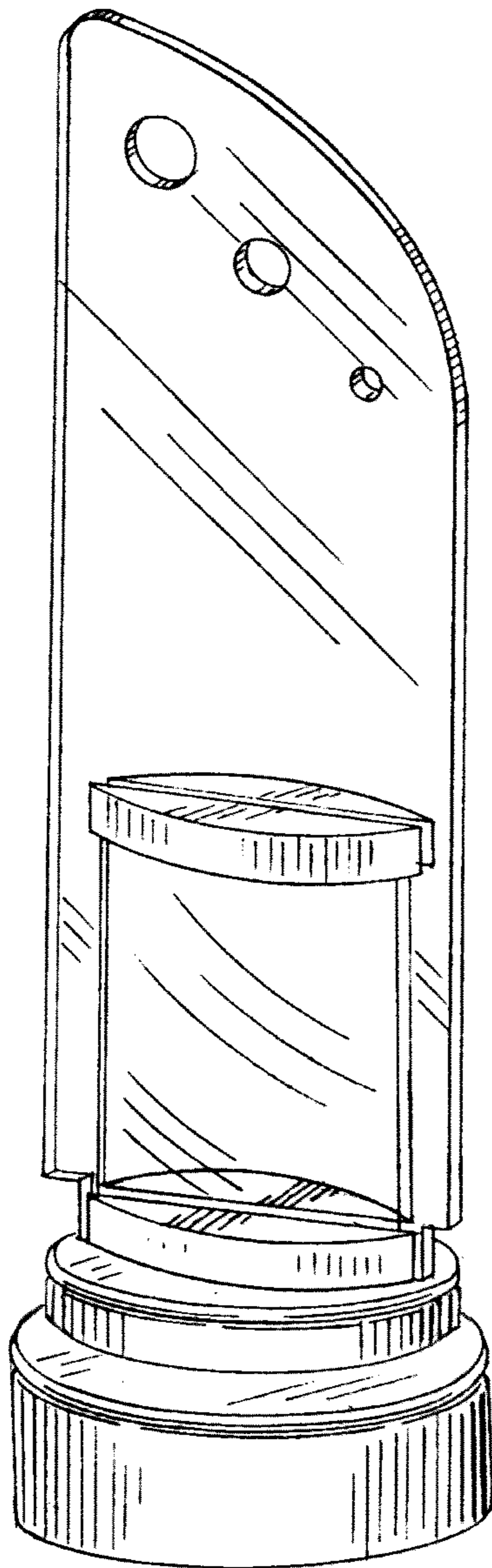


FIG. 2

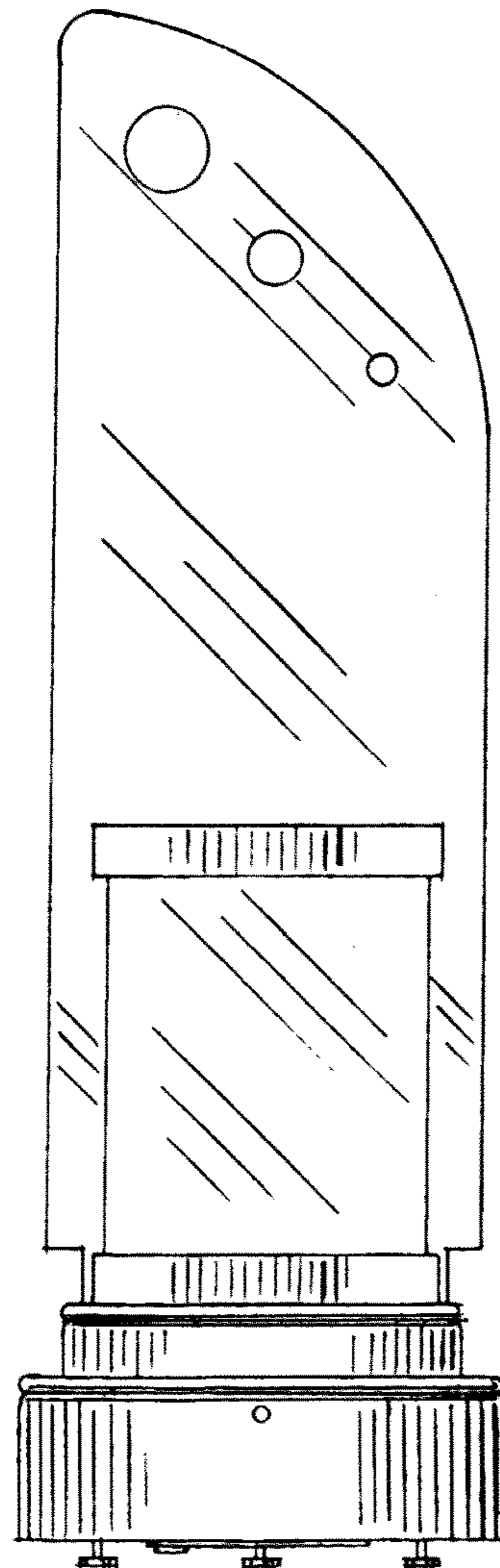


FIG. 3

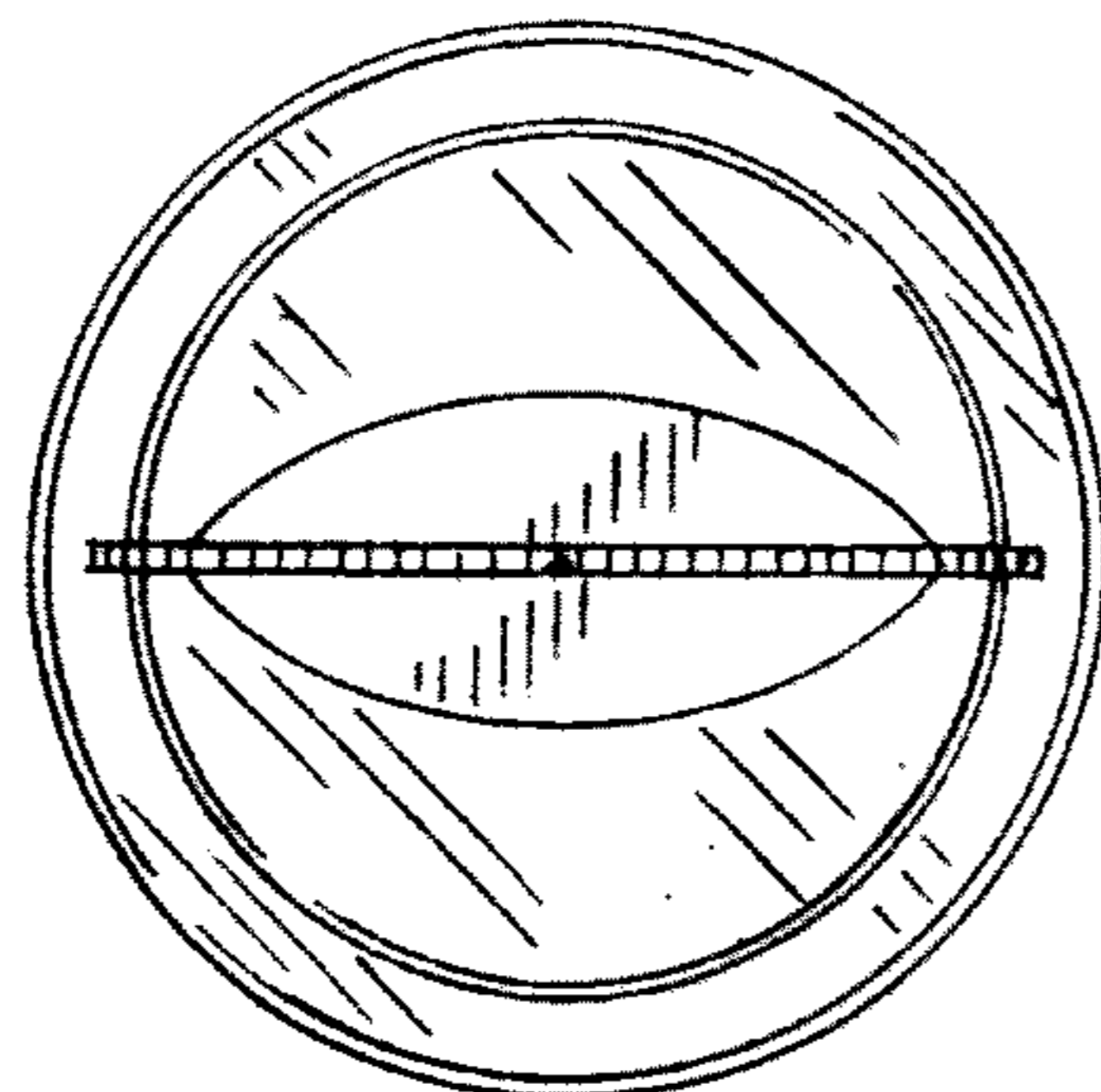
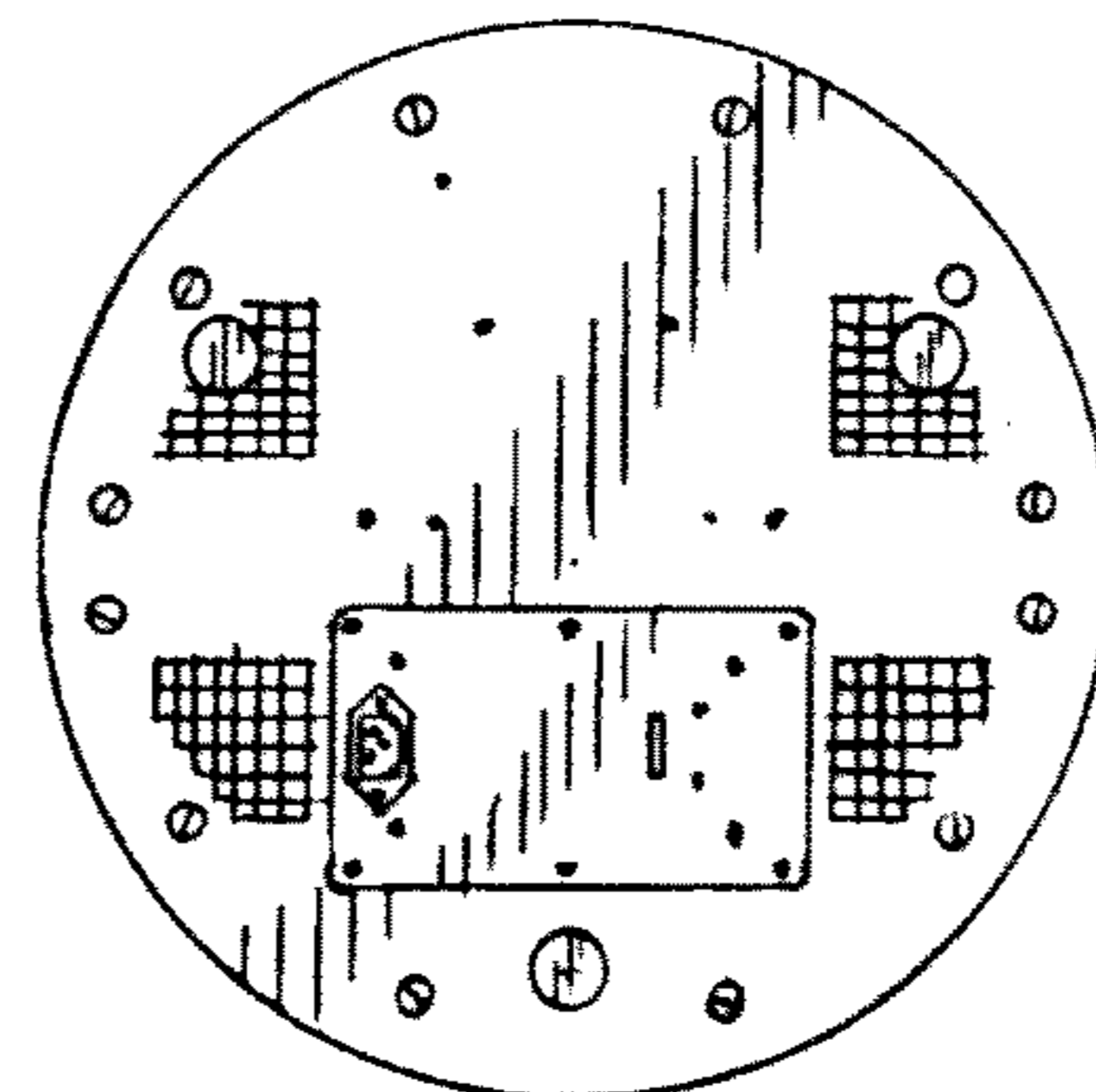


FIG. 4



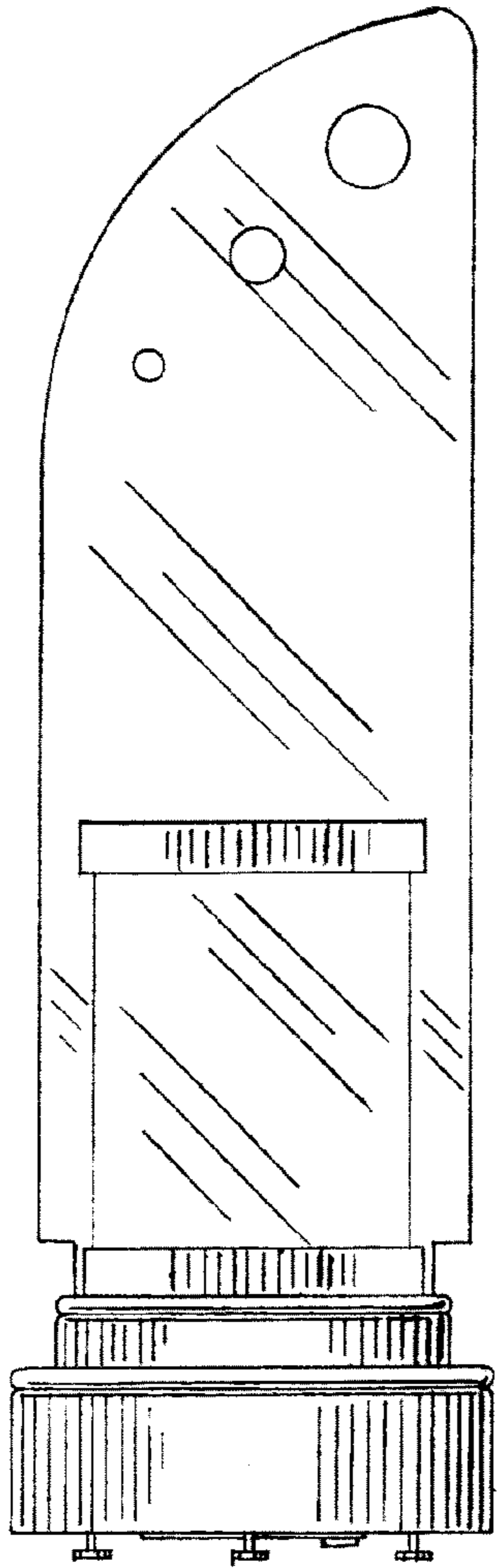


FIG. 5

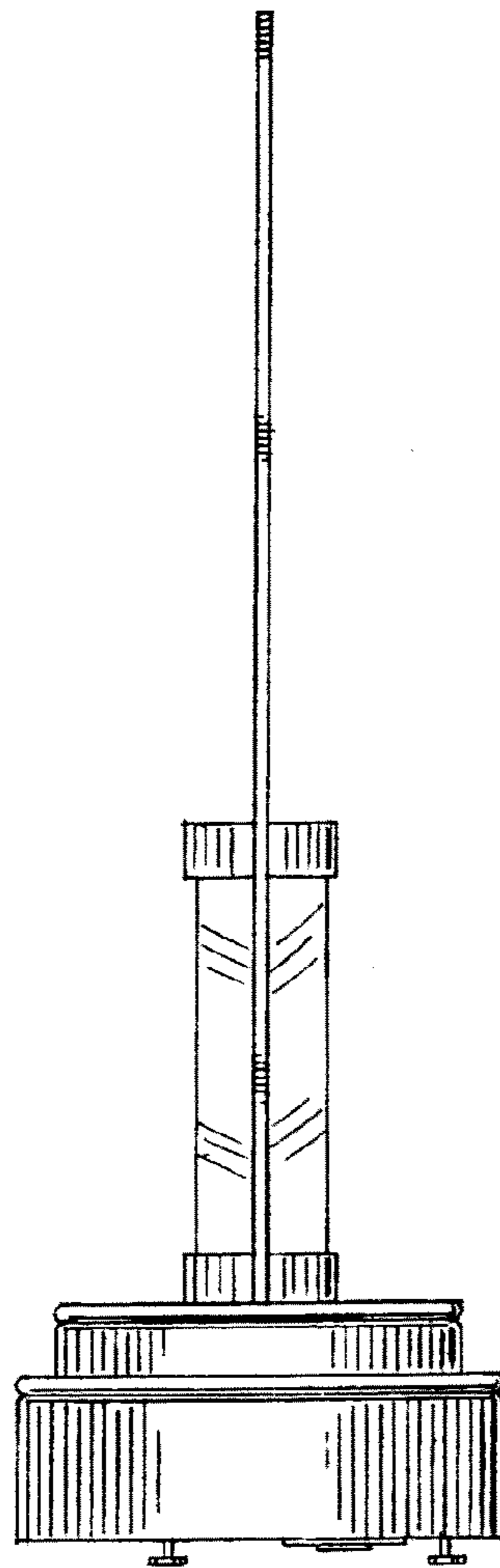


FIG. 6

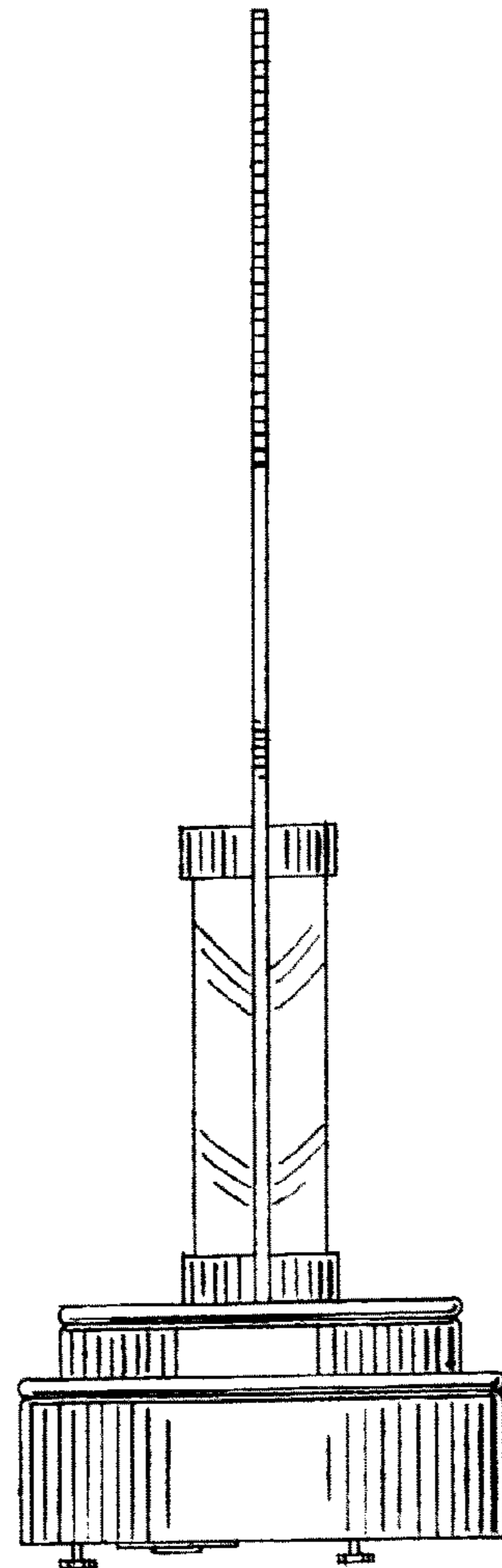


FIG. 7