



US00D659672S

(12) **United States Design Patent**
Lee et al.

(10) **Patent No.:** **US D659,672 S**
(45) **Date of Patent:** **** May 15, 2012**

(54) **PAIR OF HEADPHONES**

(75) Inventors: **Noel Lee**, Las Vegas, NV (US);
Kendrew Lee, Tsing Yi (HK); **Jacky Hsiung**, San Jose, CA (US)

(73) Assignee: **Monster Cable Products, Inc.**,
Brisbane, CA (US)

(**) Term: **14 Years**

(21) Appl. No.: **29/382,412**

(22) Filed: **Jan. 3, 2011**

(51) **LOC (9) Cl.** **14-01**

(52) **U.S. Cl.** **D14/205**

(58) **Field of Classification Search** D14/205,
D14/206, 223; 181/129, 130, 135; 379/430,
379/431; 381/380, 381; 455/90.3, 575.2;
D11/15, 24, 25

See application file for complete search history.

(56) **References Cited**

U.S. PATENT DOCUMENTS

D153,747 S *	5/1949	Anderson	D11/93
D168,240 S *	11/1952	Rodriguez	D11/24
D276,855 S *	12/1984	Falco	D29/112
5,018,599 A *	5/1991	Dohi et al.	181/129
D328,074 S *	7/1992	Yamazaki et al.	D14/205
D344,730 S *	3/1994	Gathey et al.	D14/206
D351,172 S *	10/1994	Nakamura et al.	D14/205
5,500,958 A *	3/1996	Falco	2/209
5,519,783 A *	5/1996	Kumar	381/370
D534,155 S *	12/2006	Obata	D14/205
D552,077 S *	10/2007	Brunner et al.	D14/205
D588,100 S *	3/2009	Densho et al.	D14/205
D593,995 S *	6/2009	Shimizu	D14/205
D594,441 S	6/2009	Lee et al.		

D598,901 S	8/2009	Lee et al.	
D599,781 S	9/2009	Lee et al.	
D600,675 S	9/2009	Lee et al.	
D623,627 S *	9/2010	Alden et al. D14/205
D632,668 S *	2/2011	Brunner et al. D14/205
D633,471 S *	3/2011	Sugiyama D14/205
D635,959 S *	4/2011	Hutchieson D14/205

* cited by examiner

Primary Examiner — Paula Greene

(74) *Attorney, Agent, or Firm* — LaRiviere, Grubman & Payne, LLP

(57) **CLAIM**

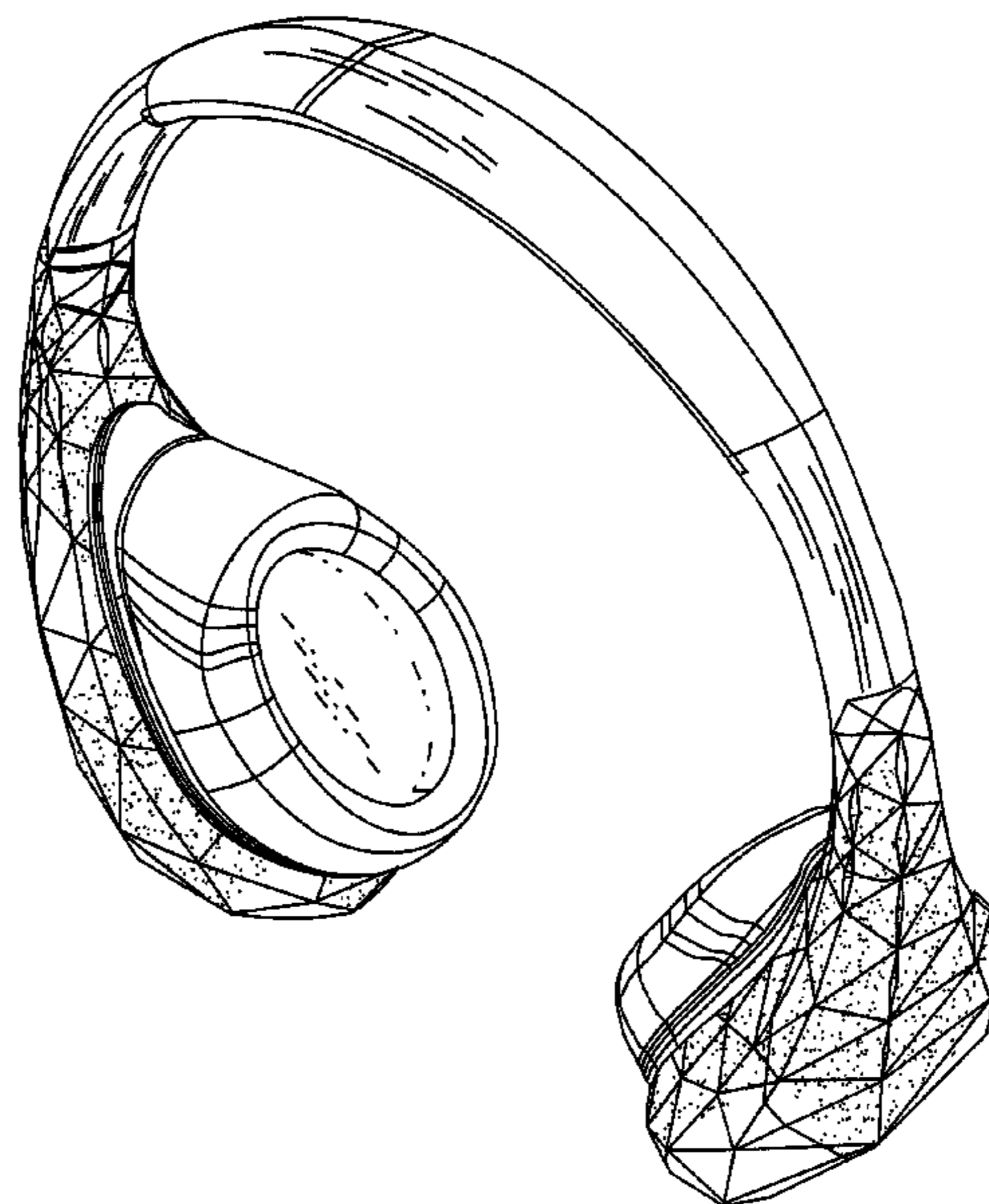
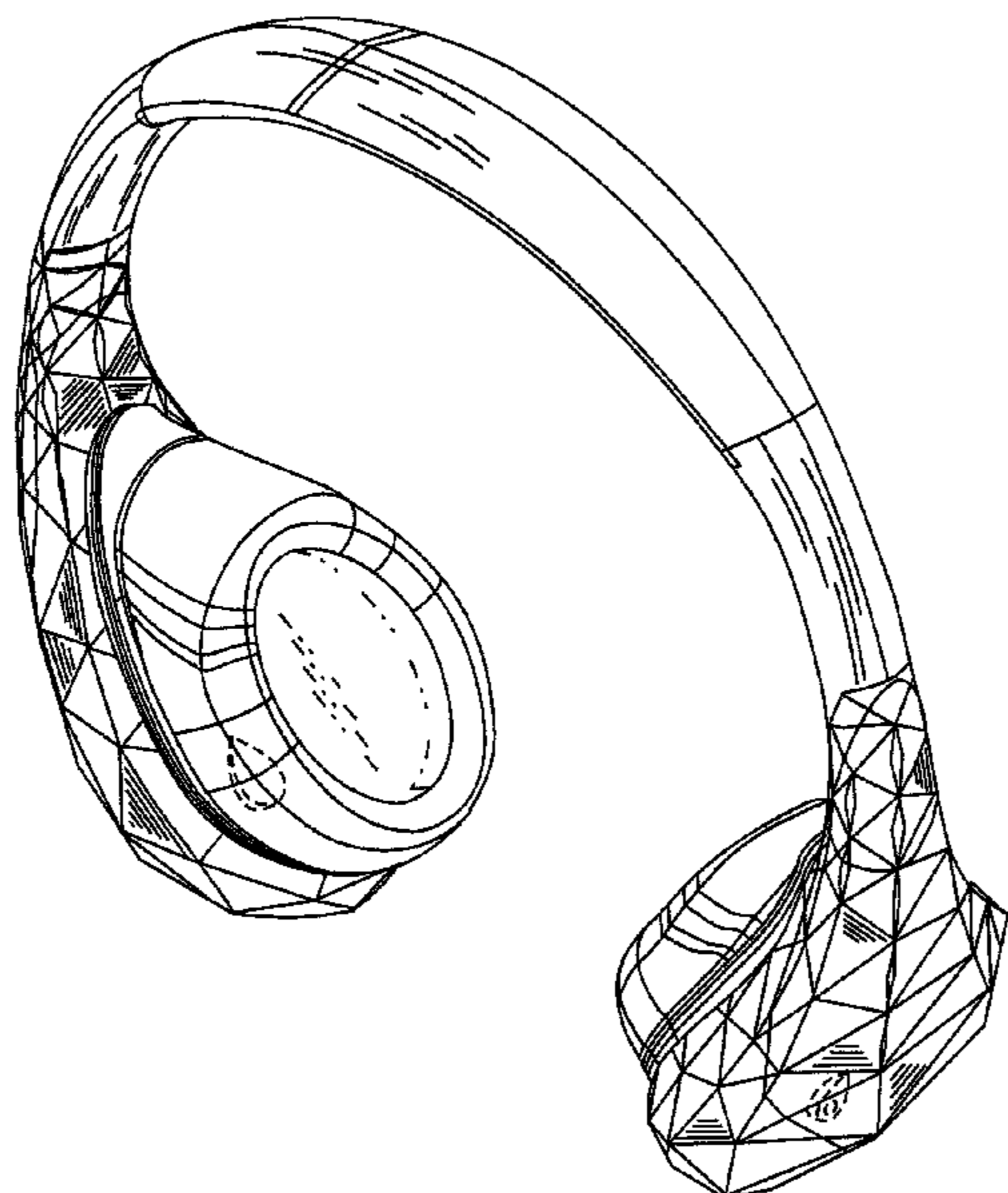
The ornamental design for a pair of headphones, as shown and described.

DESCRIPTION

FIG. 1 is a perspective view of a pair of headphones showing our new design;
 FIG. 2 is a front view thereof;
 FIG. 3 is a rear view thereof;
 FIG. 4 is a side view thereof;
 FIG. 5 is an opposing side view thereof;
 FIG. 6 is a top view thereof;
 FIG. 7 is a bottom view thereof;
 FIG. 8 is a perspective view of a second embodiment of a pair of headphones showing our new design;
 FIG. 9 is a front view thereof;
 FIG. 10 is a rear view thereof;
 FIG. 11 is a side view thereof;
 FIG. 12 is an opposing side view thereof;
 FIG. 13 is a top view thereof; and,
 FIG. 14 is a bottom view thereof.

The broken lines showing the environment are for illustrative purposes only and form no part of the claimed design.

1 Claim, 10 Drawing Sheets



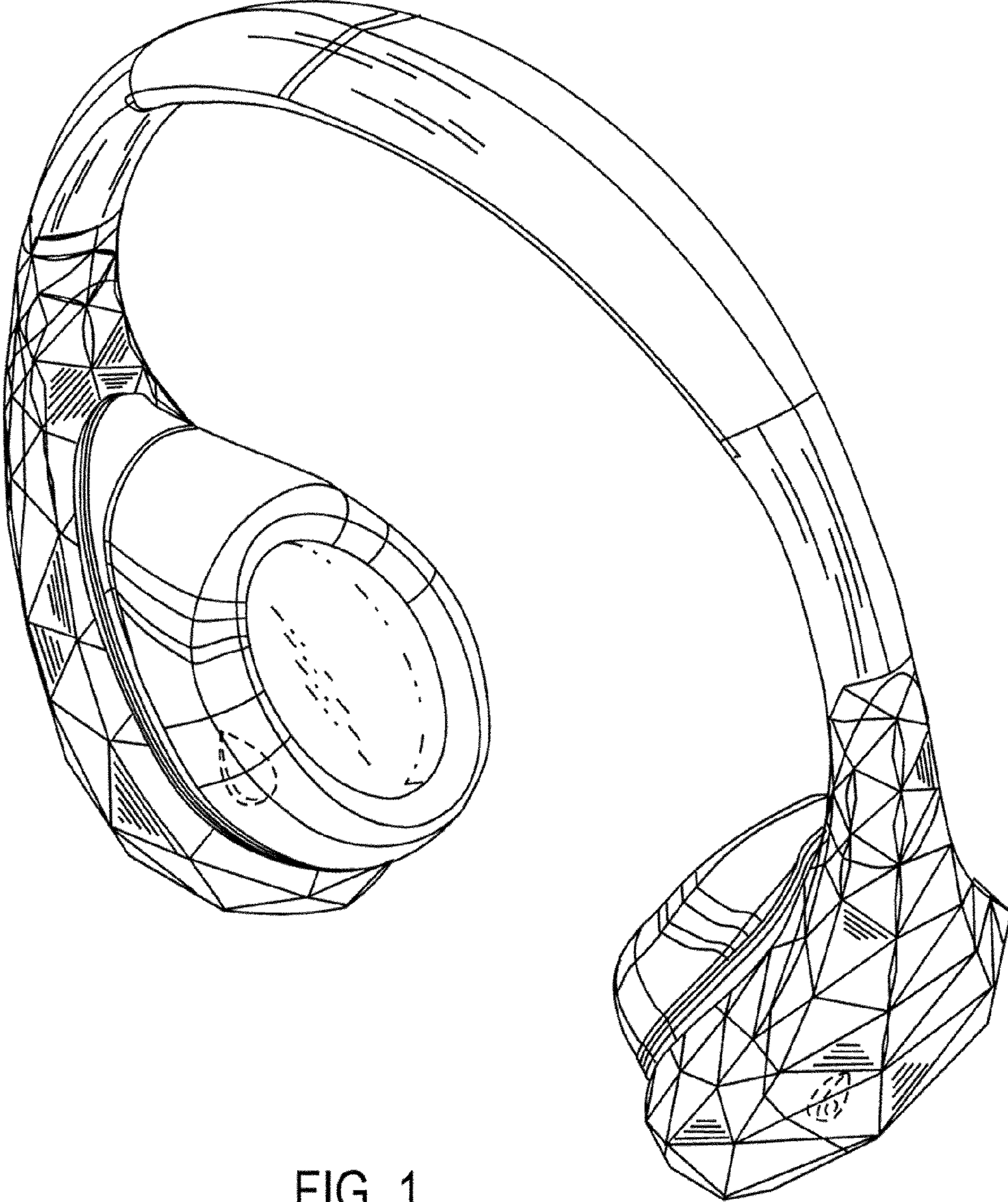


FIG. 1



FIG. 2



FIG. 3

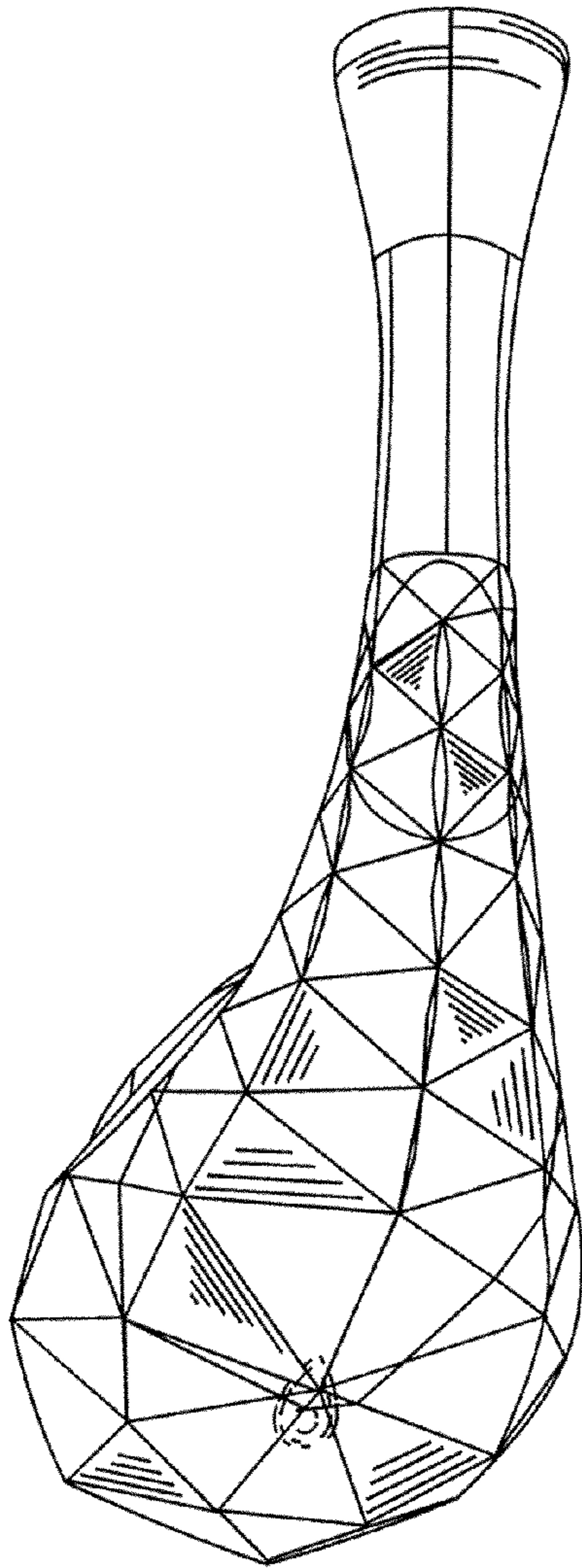


FIG. 4

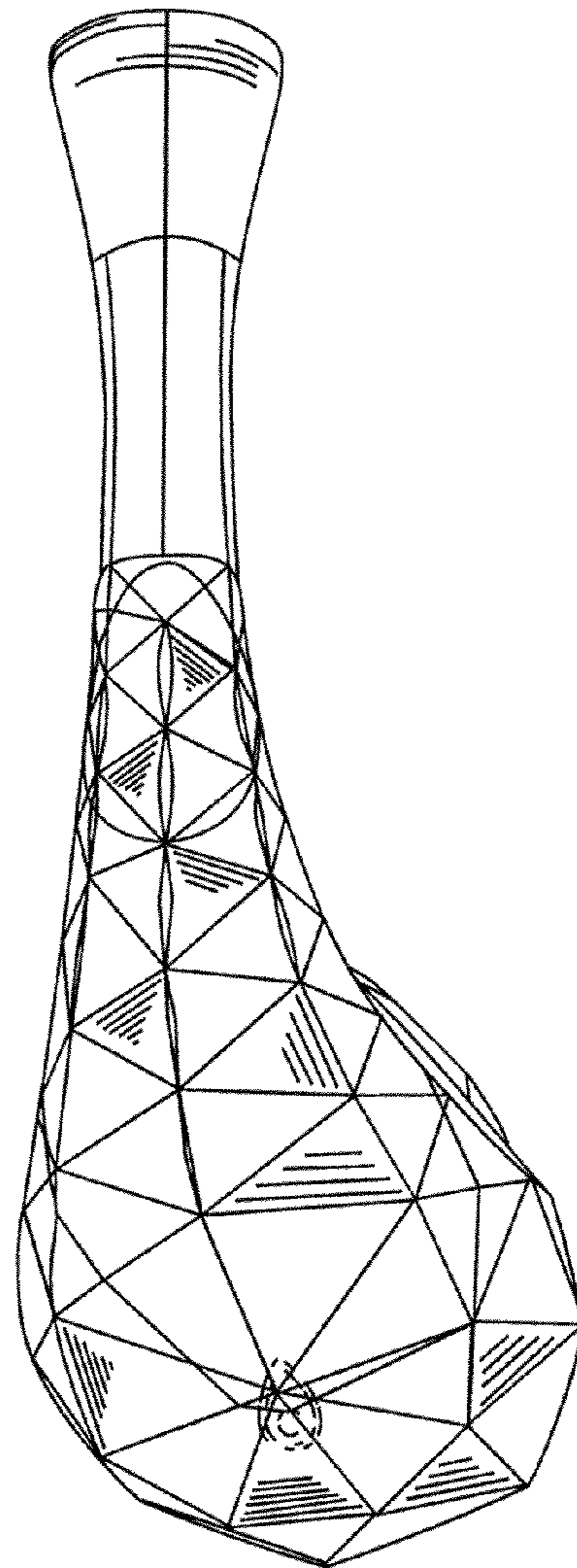


FIG. 5

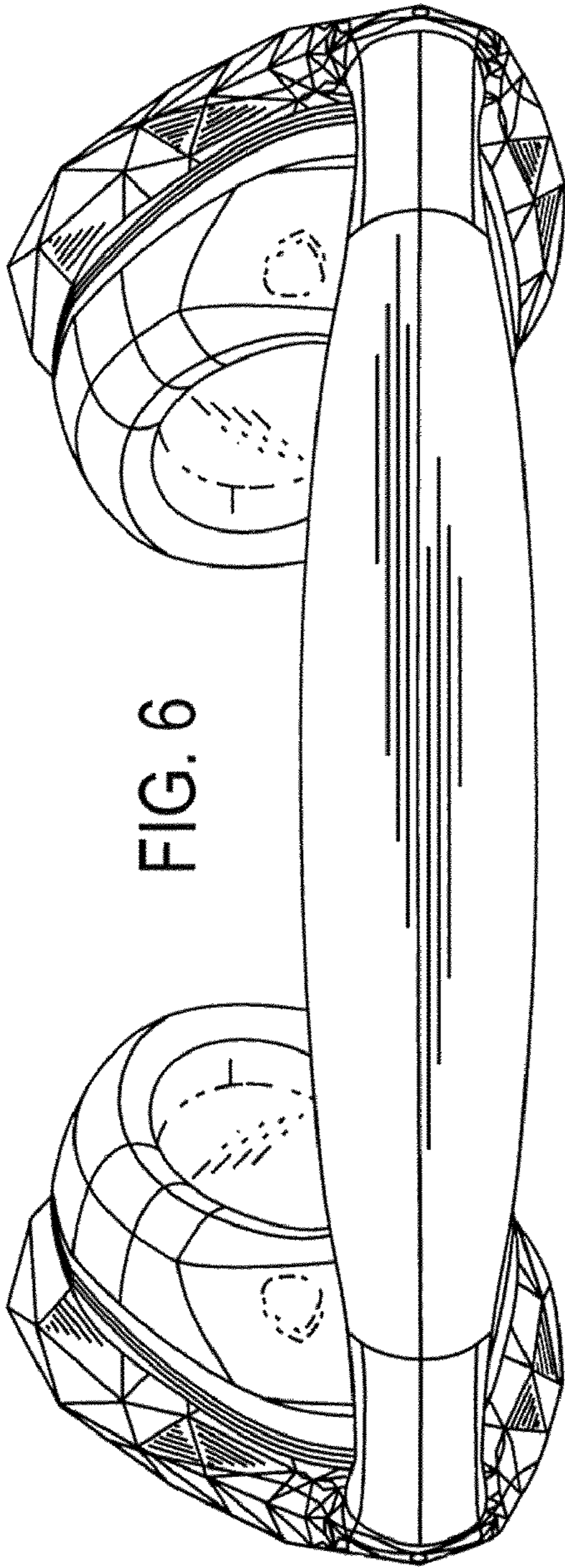


FIG. 6

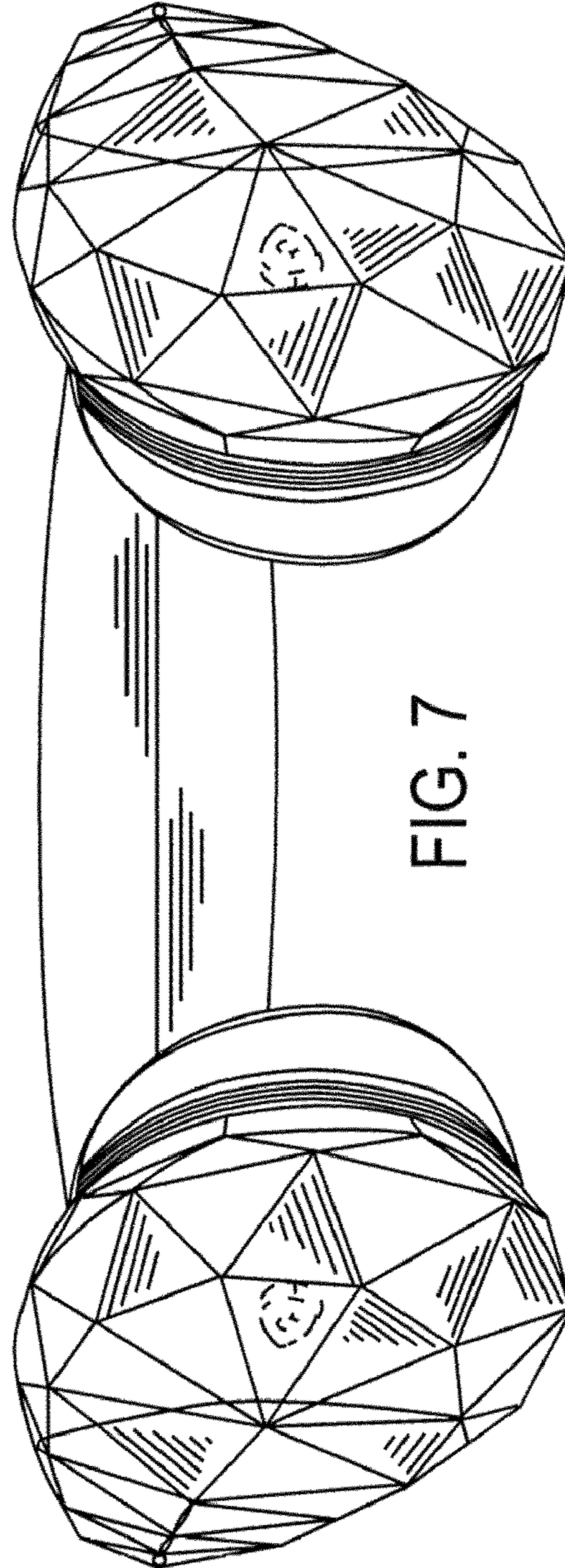


FIG. 7

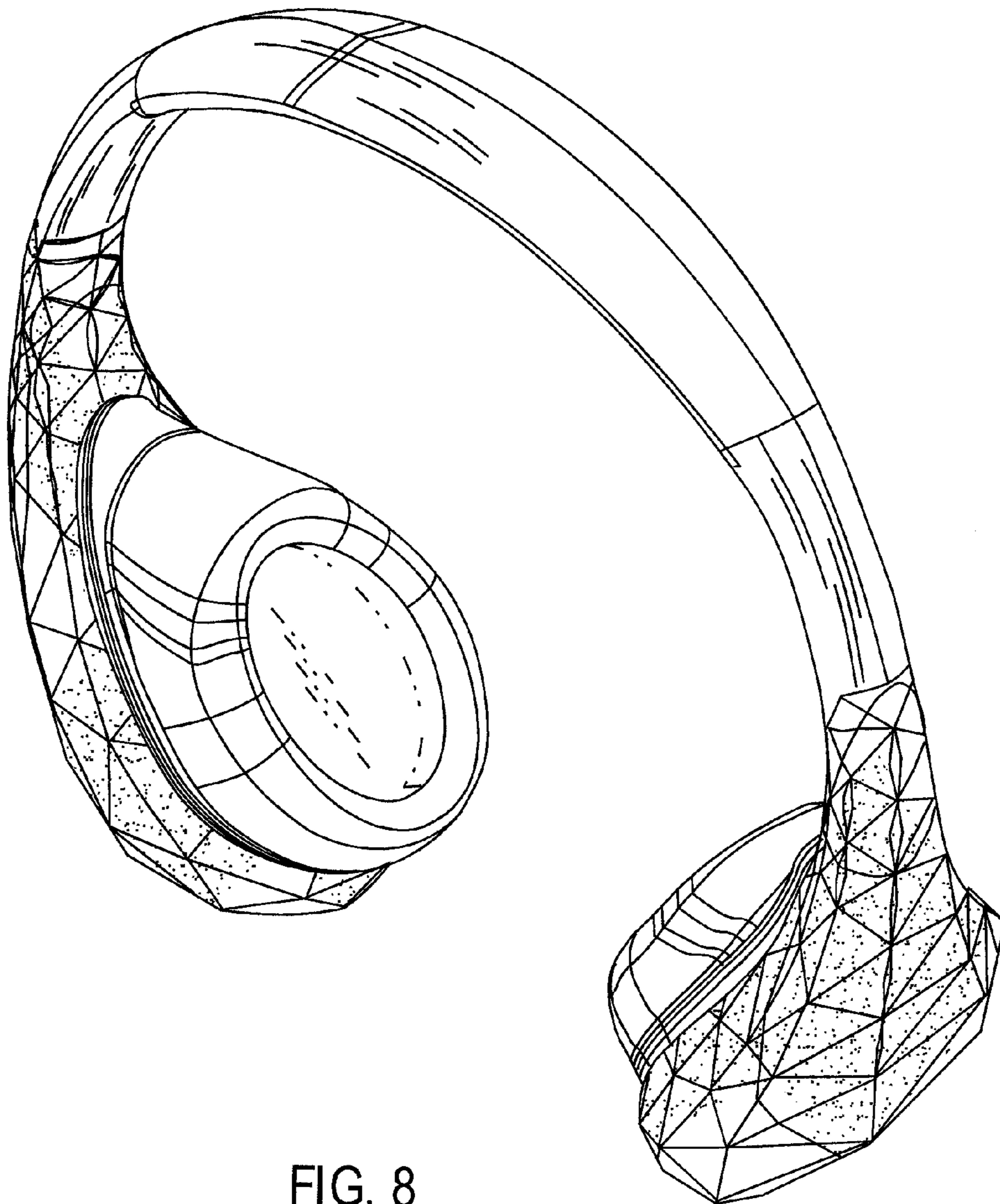


FIG. 8



FIG. 9



FIG. 10

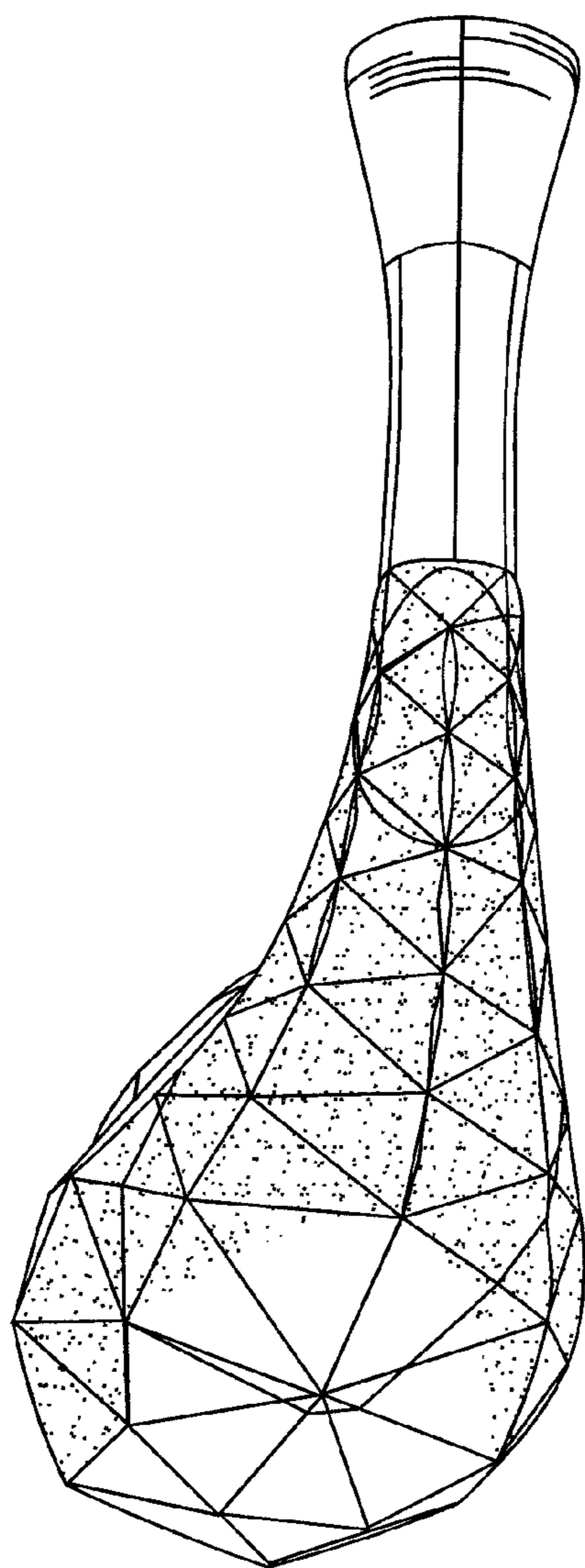


FIG. 11

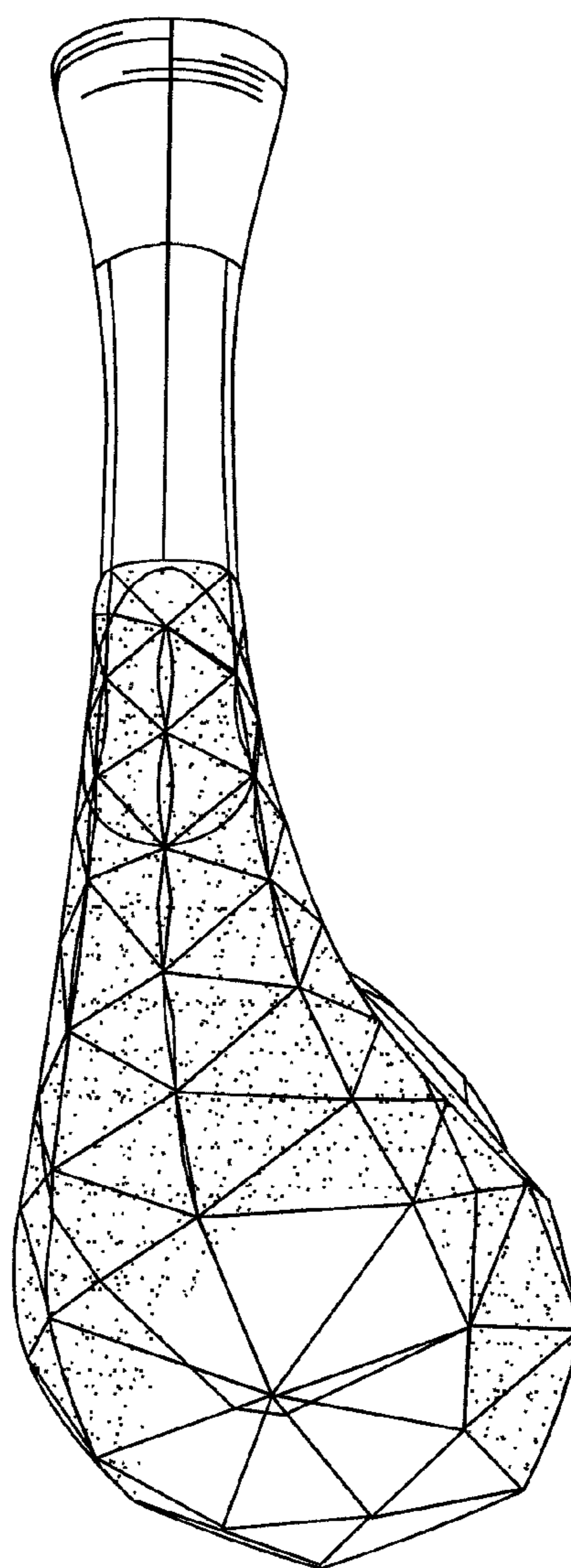


FIG. 12

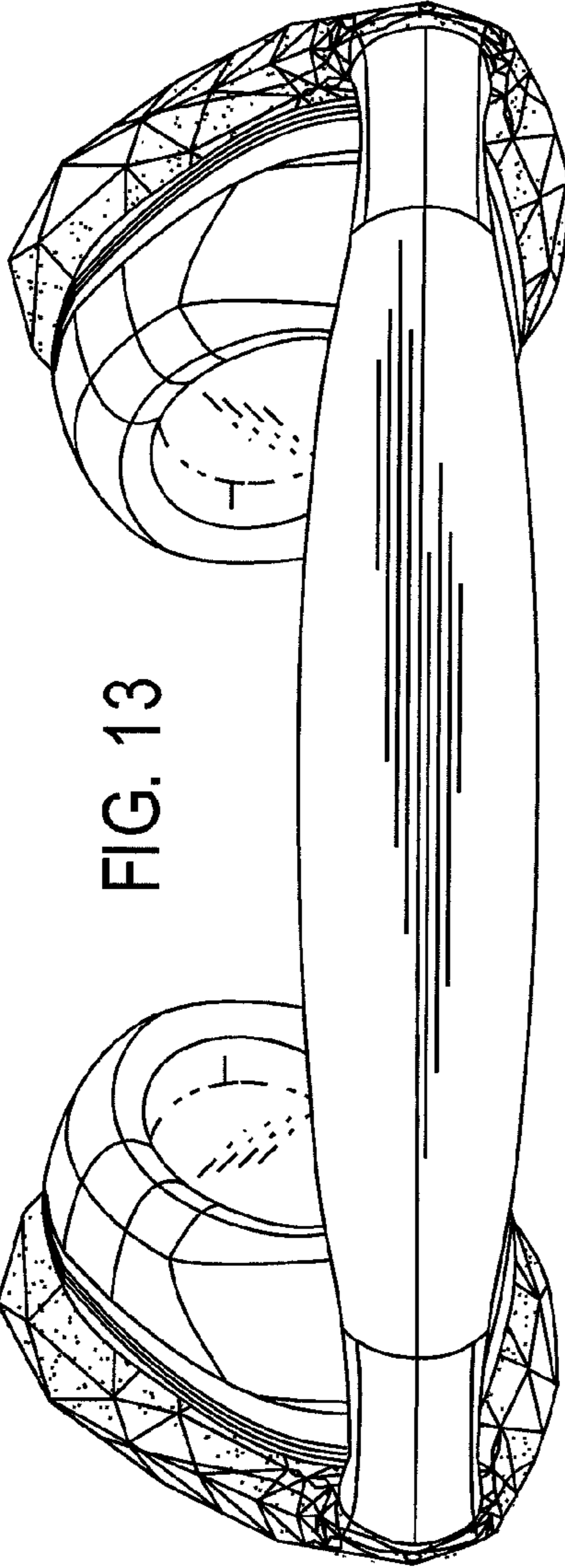


FIG. 13

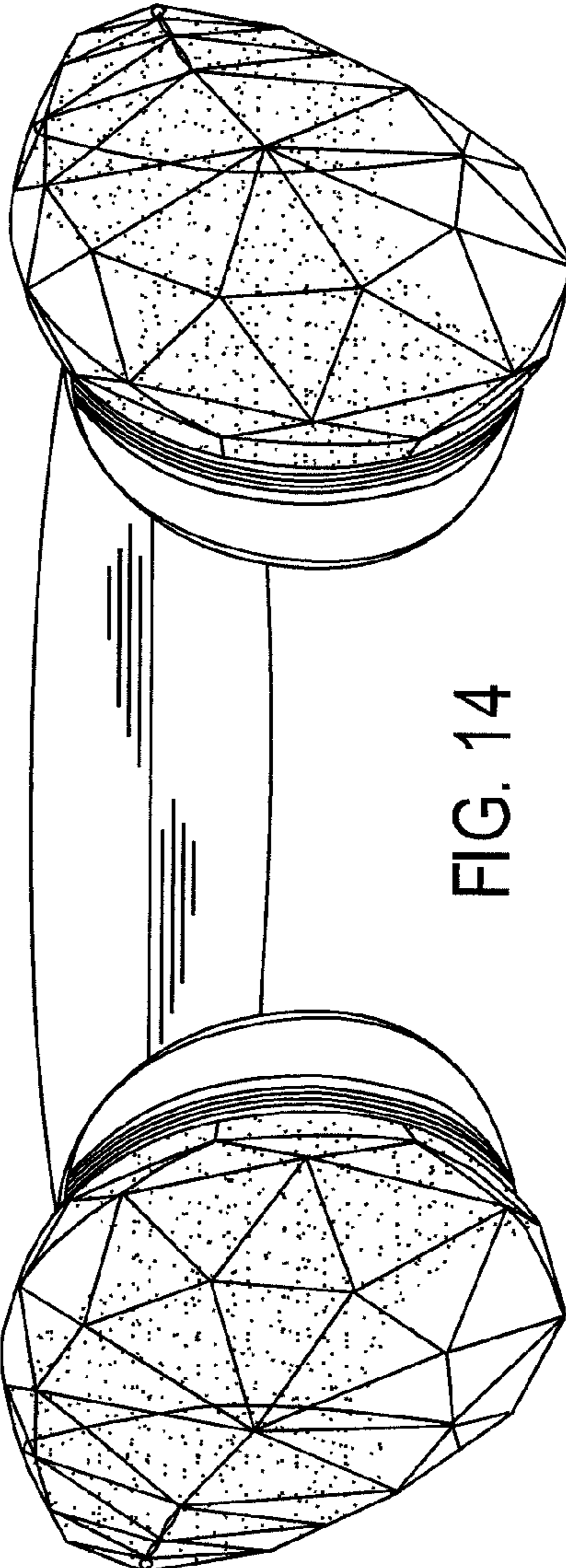


FIG. 14