



US00D659670S

(12) **United States Design Patent**
Goetzen et al.

(10) **Patent No.:** **US D659,670 S**

(45) **Date of Patent:** **** May 15, 2012**

(54) **RADIO**

(75) Inventors: **Mirko Goetzen**, Surrey (GB); **Aleix Ingles Elias**, Surrey (GB); **Hiroaki Yokota**, Tokyo (JP)

(73) Assignee: **Sony Corporation**, Tokyo (JP)

(**) Term: **14 Years**

(21) Appl. No.: **29/347,892**

(22) Filed: **Jul. 14, 2010**

(30) **Foreign Application Priority Data**

Jan. 19, 2010 (JP) 2010-001071

(51) **LOC (9) Cl.** **14-03**

(52) **U.S. Cl.** **D14/194**

(58) **Field of Classification Search** D14/137,
D14/155, 162, 167-171, 188, 189, 193-198,
D14/203.1-203.8, 204, 208, 209.1, 210, 212,
D14/214, 215, 217, 257, 258, 265, 299, 496;
369/6-12; 455/90.1-90.3, 344-355

See application file for complete search history.

(56) **References Cited**

U.S. PATENT DOCUMENTS

D245,765 S	9/1977	Yoshida	
D246,351 S	11/1977	Yoshida et al.	
D263,124 S *	2/1982	Dennis	D10/1
D269,857 S	7/1983	Goodin et al.	
D290,007 S	5/1987	Mano et al.	
D291,539 S	8/1987	Holterscheidt	
D310,032 S	8/1990	Murata	
D324,177 S	2/1992	Tonyan et al.	
D337,276 S	7/1993	Yuen	
D406,535 S	3/1999	Hargrove, III	
D408,297 S	4/1999	Hargrove, III	
D414,491 S	9/1999	Kokkinis	
D452,490 S	12/2001	Shintani	
D531,523 S	11/2006	Bhavnani	

D556,185 S	11/2007	Motoishi	
D571,355 S	6/2008	Koizumi	
D573,143 S *	7/2008	Park et al.	D14/341
D573,584 S *	7/2008	Kim	D14/215
D577,709 S *	9/2008	Skurdal	D14/171
D583,358 S *	12/2008	Joseph	D14/171
D583,360 S	12/2008	Gredler	
D598,006 S *	8/2009	Tse	D14/209.1
D599,322 S *	9/2009	Zheng	D14/168
D600,251 S *	9/2009	Poandl	D14/496
D605,625 S	12/2009	Skurdal	
D614,200 S	4/2010	Skurdal	
D618,252 S *	6/2010	Bradford et al.	D14/496
D622,258 S *	8/2010	Joseph	D14/171

(Continued)

FOREIGN PATENT DOCUMENTS

JP D1278173 S 8/2006

Primary Examiner — Stella Reid

Assistant Examiner — Keli L Hill

(74) *Attorney, Agent, or Firm* — Rader, Fishman & Grauer PLLC

(57) **CLAIM**

The ornamental design for a radio, as shown and described.

DESCRIPTION

FIG. 1 is a front, top, right perspective view of a radio showing our new design;

FIG. 2 is a rear, top, left perspective view thereof;

FIG. 3 is a front, bottom, left perspective view thereof;

FIG. 4 is a front elevational view thereof;

FIG. 5 is a rear elevational view thereof;

FIG. 6 is a left side elevational view thereof;

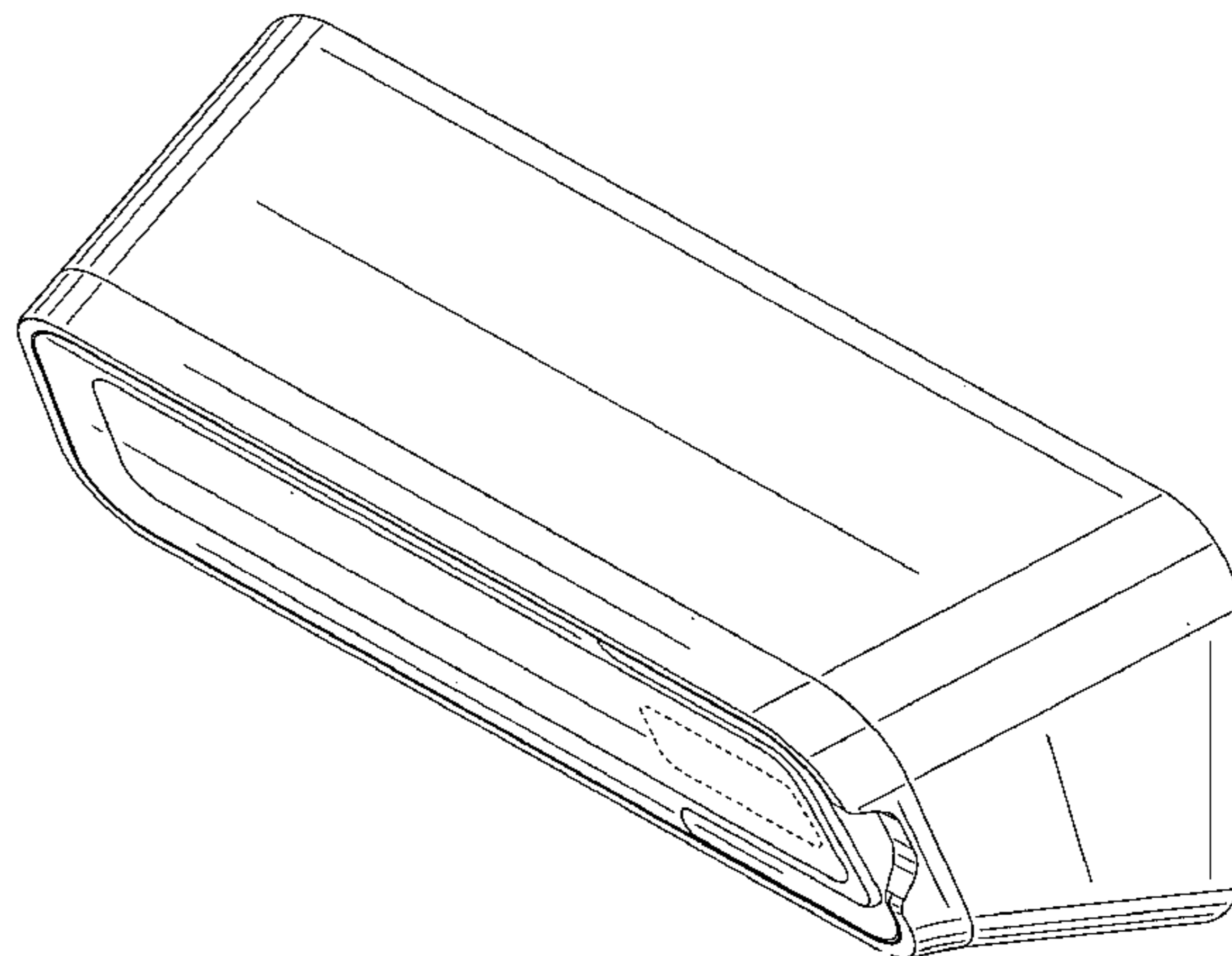
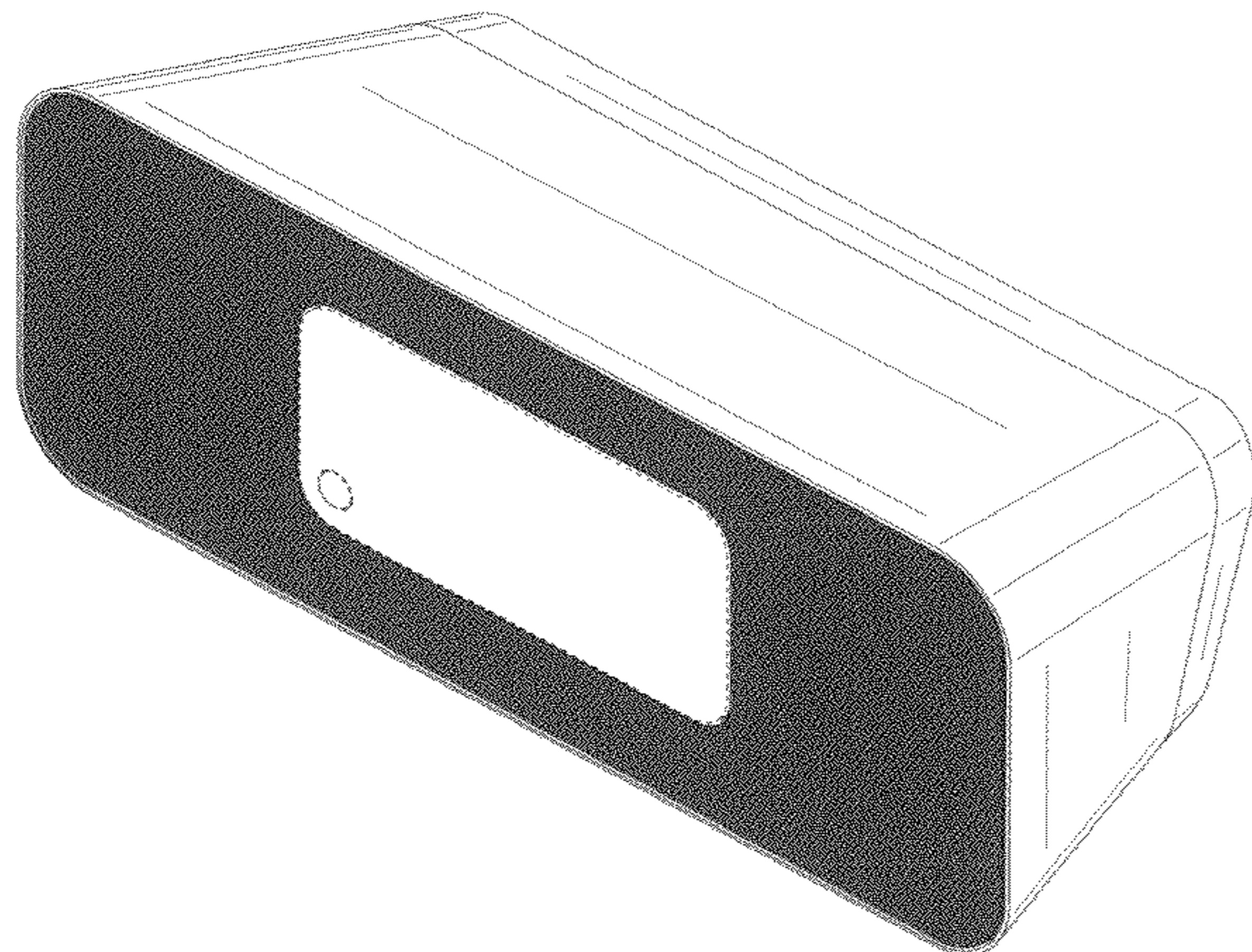
FIG. 7 is a right side elevational view thereof;

FIG. 8 is a top plan view thereof; and,

FIG. 9 is a bottom plan view thereof.

The broken lines shown are included for the purpose of illustrating the unclaimed portions of the article and form no part of the claim.

1 Claim, 6 Drawing Sheets



US D659,670 S

Page 2

U.S. PATENT DOCUMENTS

* cited by examiner

D641,006	S	*	7/2011	Anthony et al.	D14/214
D643,018	S	*	8/2011	Kim	D14/214
D645,841	S	*	9/2011	Joseph	D14/171
D647,505	S	*	10/2011	Skurdal	D14/209.1
D648,743	S	*	11/2011	Chang	D14/496

FIG. 1

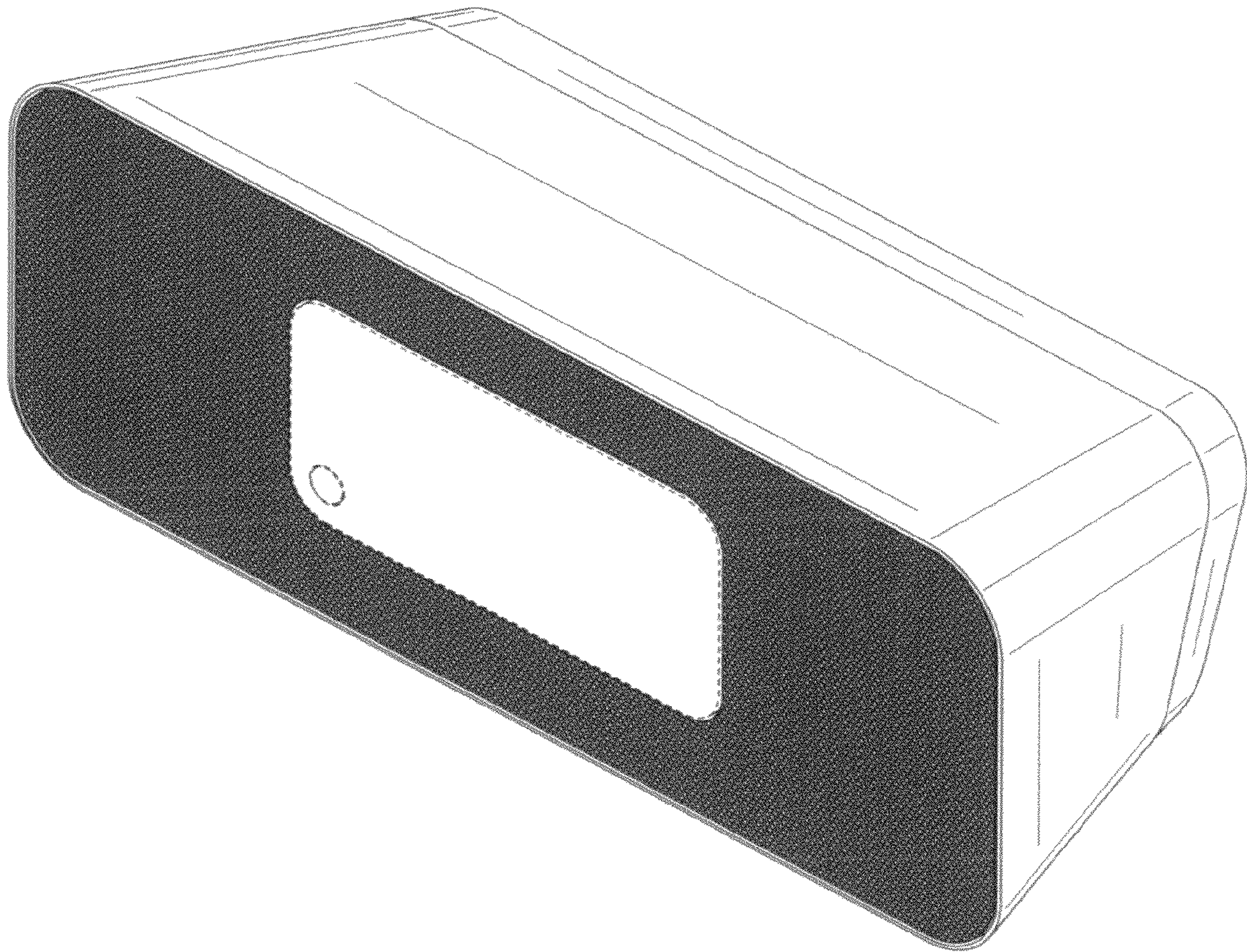
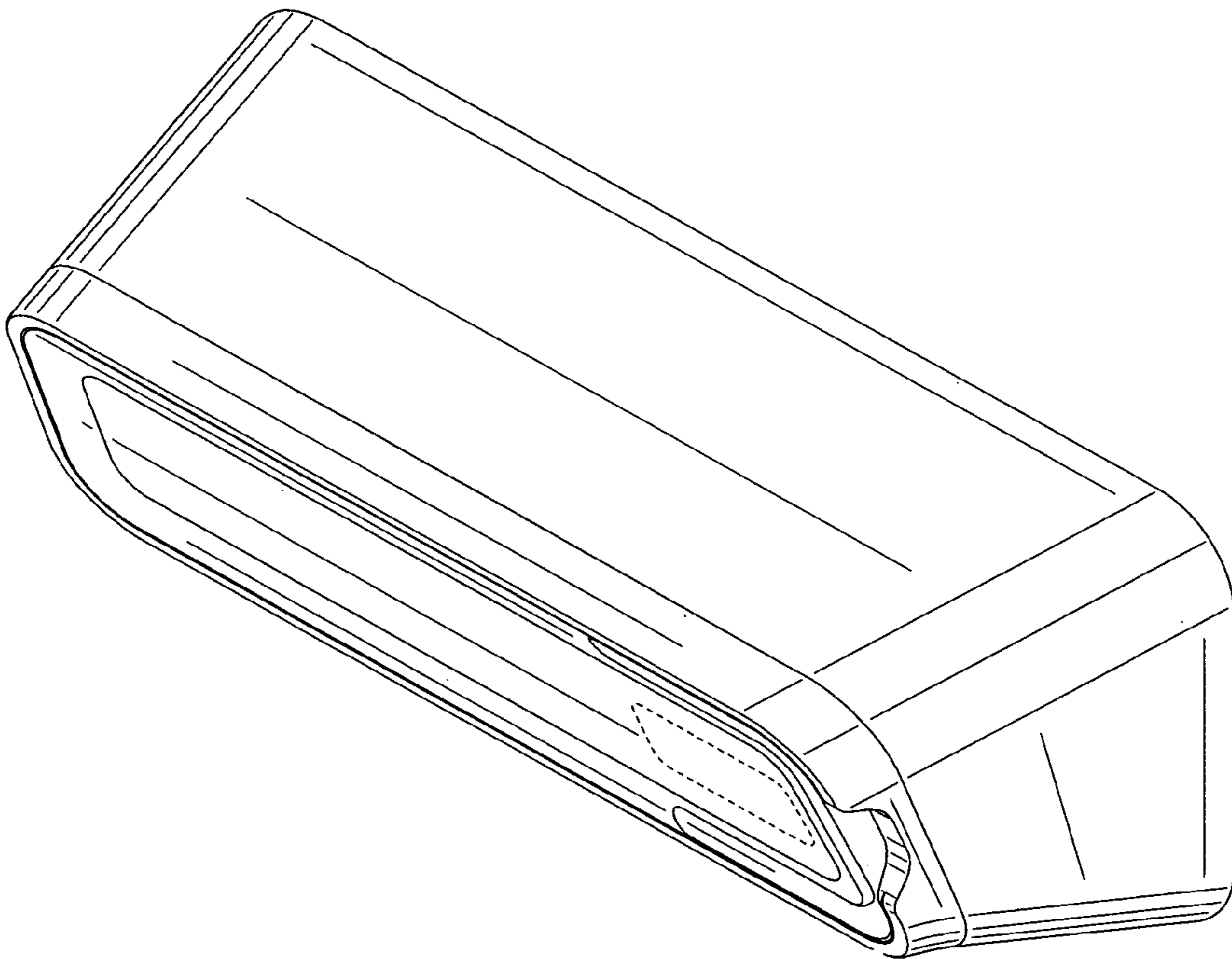


FIG.2



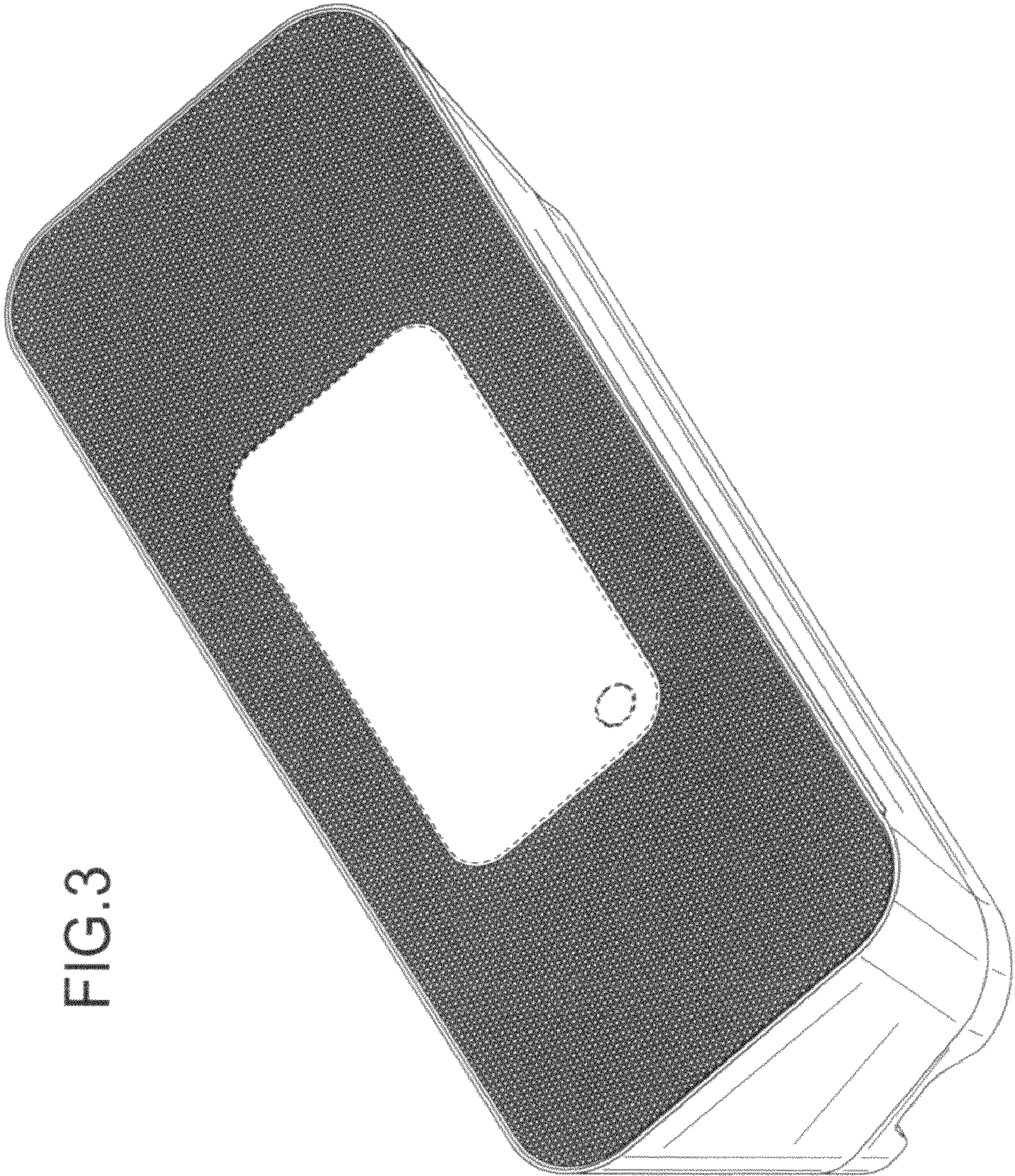


FIG.3

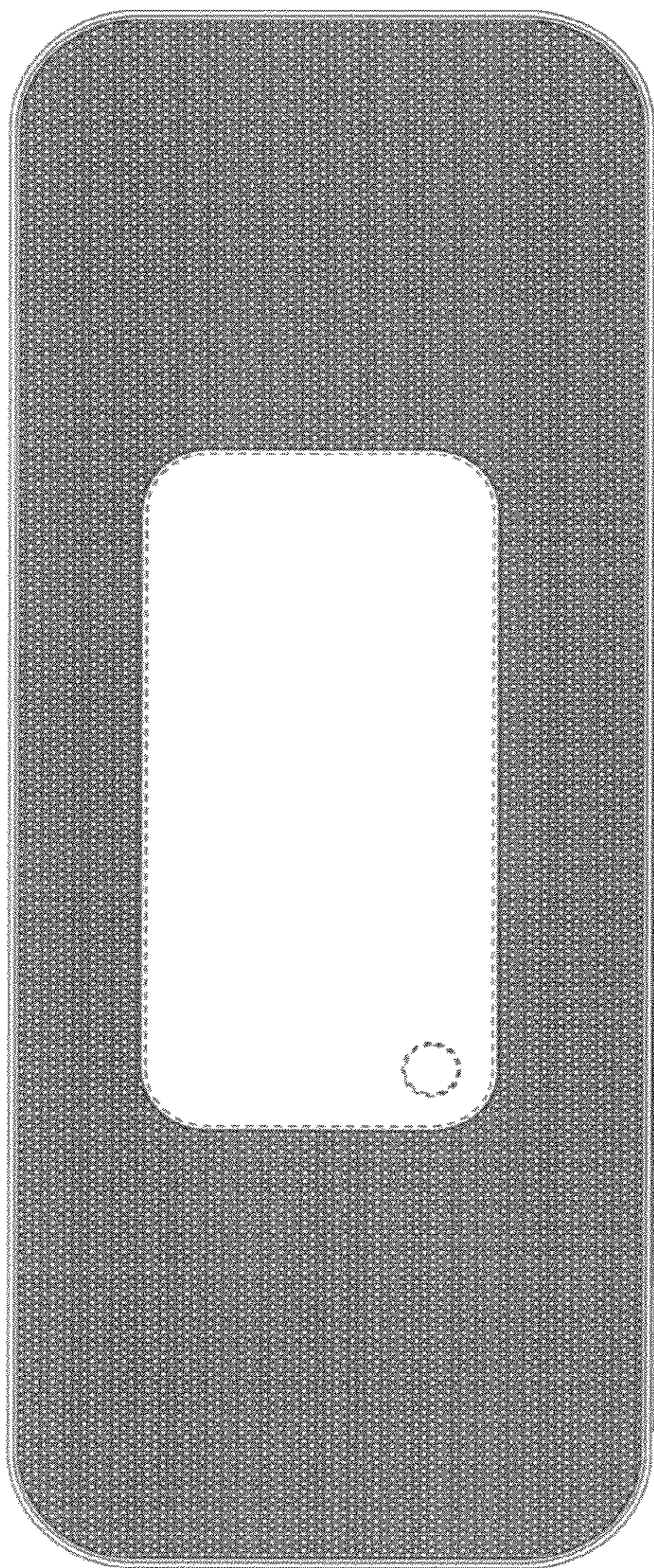


FIG. 4

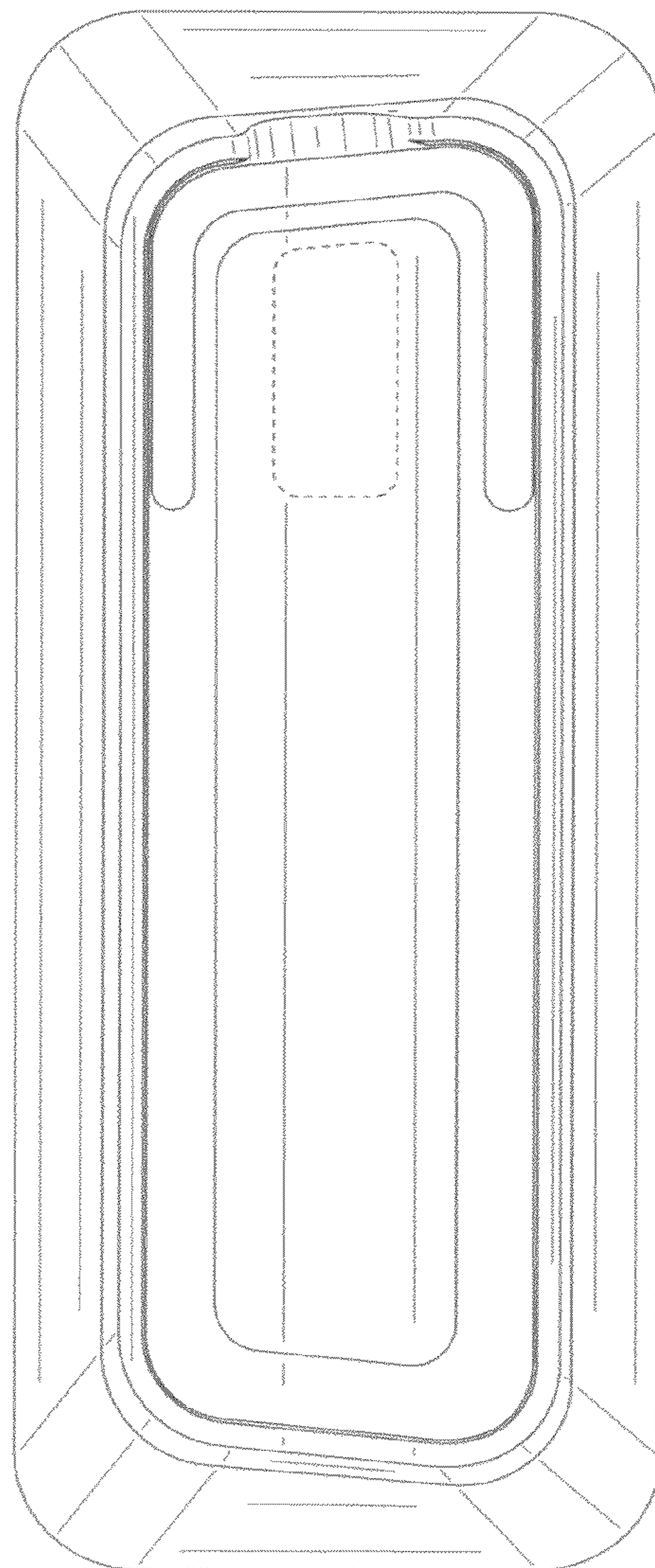


FIG. 5

FIG.7

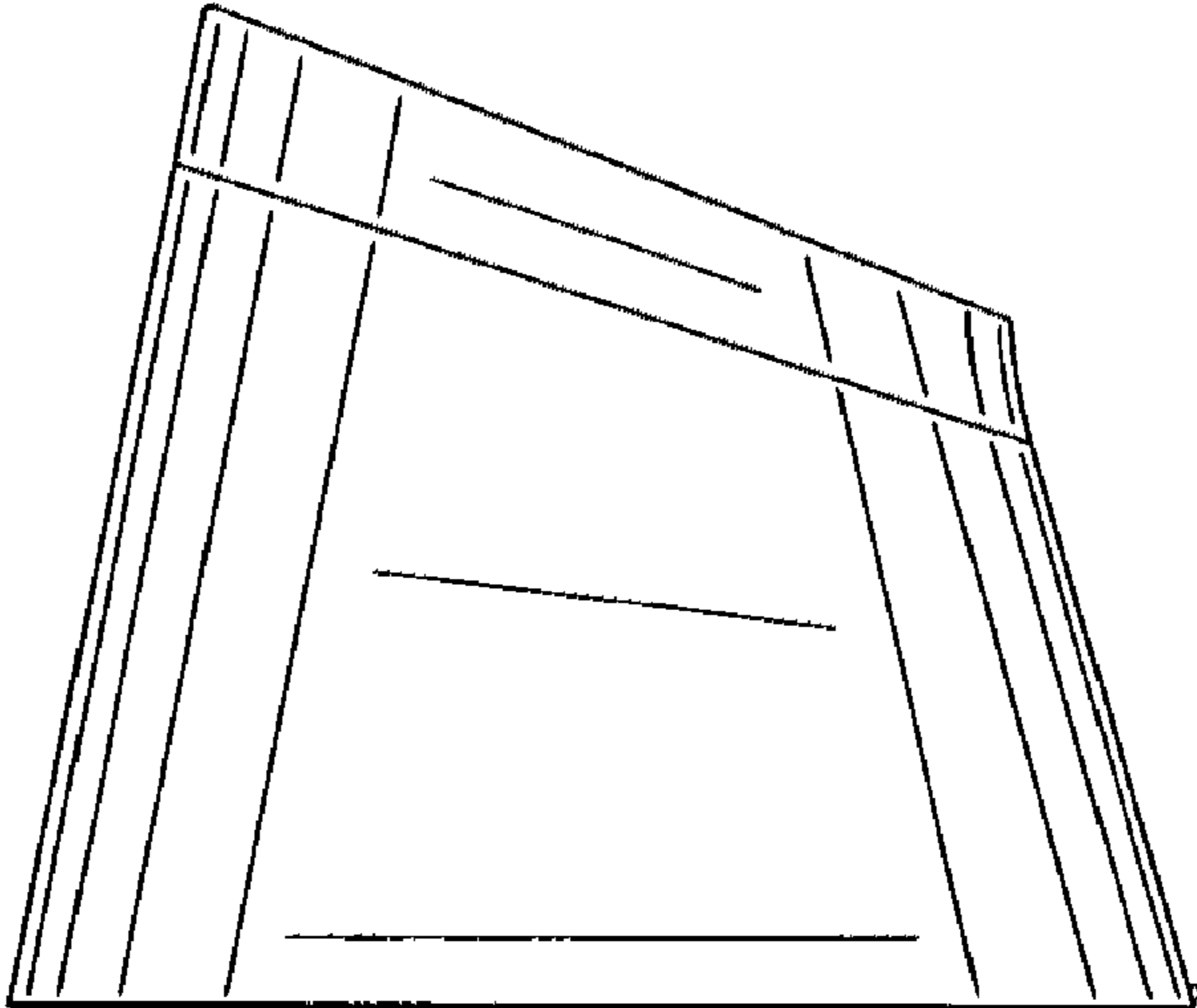
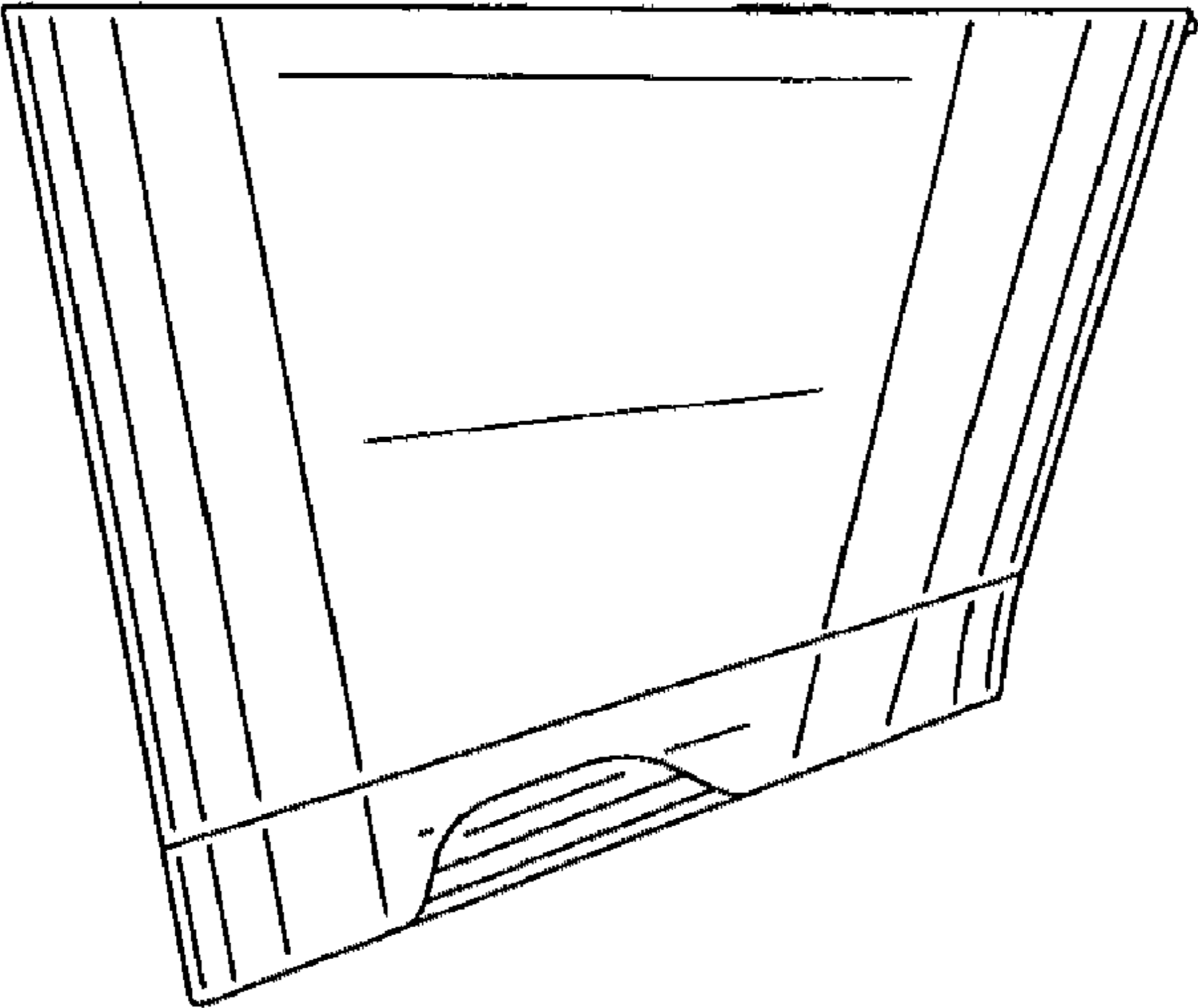


FIG.6



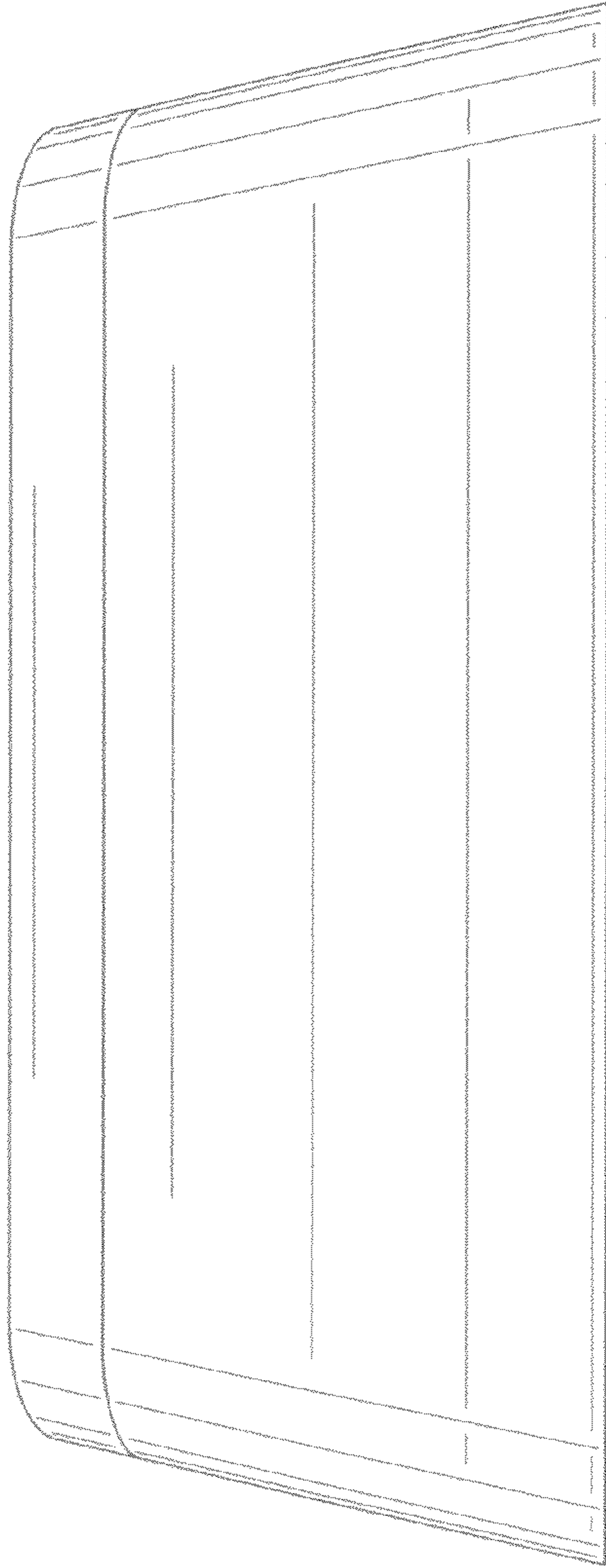


FIG. 8

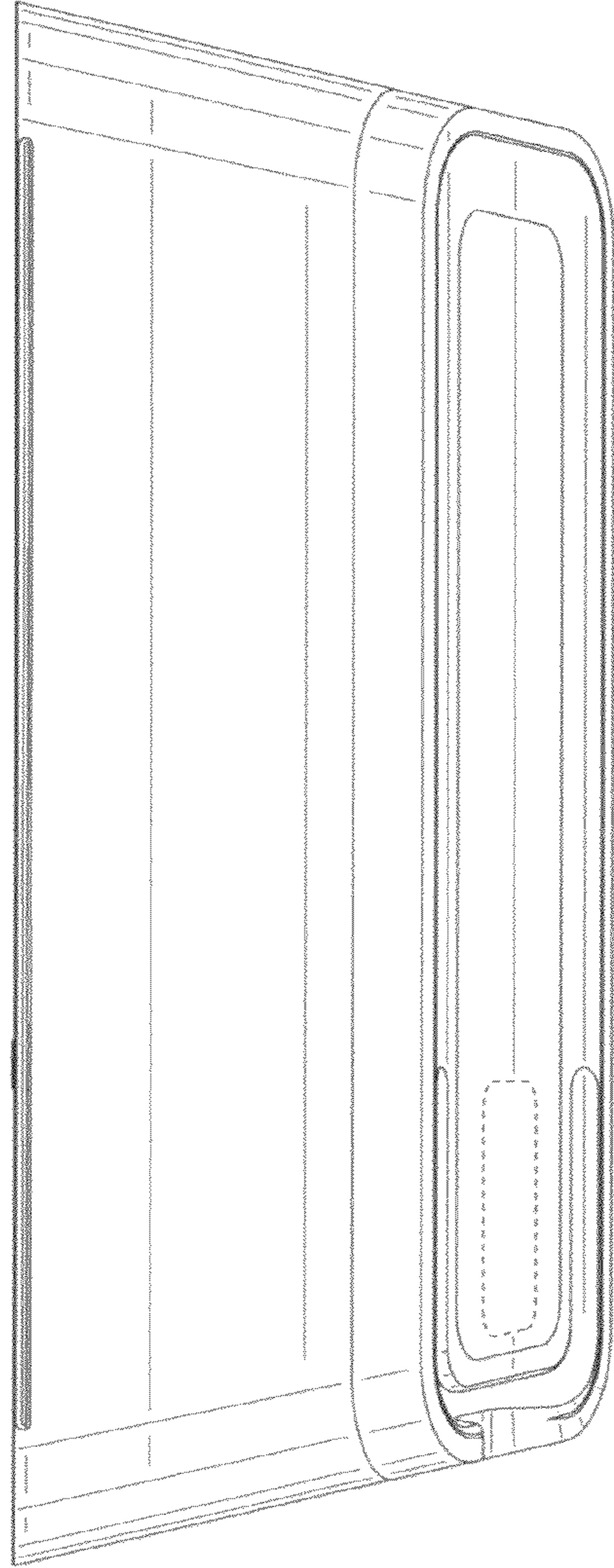


FIG. 9