



US00D659668S

(12) **United States Design Patent**
Neumann

(10) **Patent No.:** **US D659,668 S**
(45) **Date of Patent:** **** May 15, 2012**

(54) **APPARATUS FOR RECORDING AND TRANSMITTING OF INFORMATION**

(75) Inventor: **Manfred Neumann**, Braunschweig (DE)

(73) Assignee: **I+Me Actia Informatik und Mikro-Elektronik GmbH**, Braunschweig (DE)

(**) Term: **14 Years**

(21) Appl. No.: **29/400,846**

(22) Filed: **Sep. 1, 2011**

(30) **Foreign Application Priority Data**

Jul. 29, 2011 (WO) 617287501

(51) **LOC (9) Cl.** **14-03**

(52) **U.S. Cl.** **D14/155; D14/167**

(58) **Field of Classification Search** D14/167, D14/154, 168, 188, 496, 156, 160, 161, 162, D14/163, 164, 165, 158, 341, 346, 342, 345, D14/155, 218, 225; D16/208; D26/38; 455/351, 455/350, 575.1, 556.1; D10/104, 106, 65, D10/57

See application file for complete search history.

(56) **References Cited**

U.S. PATENT DOCUMENTS

D293,239 S * 12/1987 Larson et al. D14/155
D327,886 S * 7/1992 Yan D14/138 R
D471,172 S * 3/2003 Greenway et al. D14/155

D518,469 S * 4/2006 Barad D14/155
D533,534 S * 12/2006 Brown et al. D14/155
D583,796 S * 12/2008 Tanaka D14/155
D585,048 S * 1/2009 Uchimura et al. D14/155
D600,232 S * 9/2009 Lee D14/188
D603,834 S * 11/2009 Lyman et al. D14/155
D609,687 S * 2/2010 Lyman et al. D14/155

* cited by examiner

Primary Examiner — Austin Murphy

(74) *Attorney, Agent, or Firm* — Andrew M. Calderon; Roberts Mlotkowski Safran & Cole, P.C.

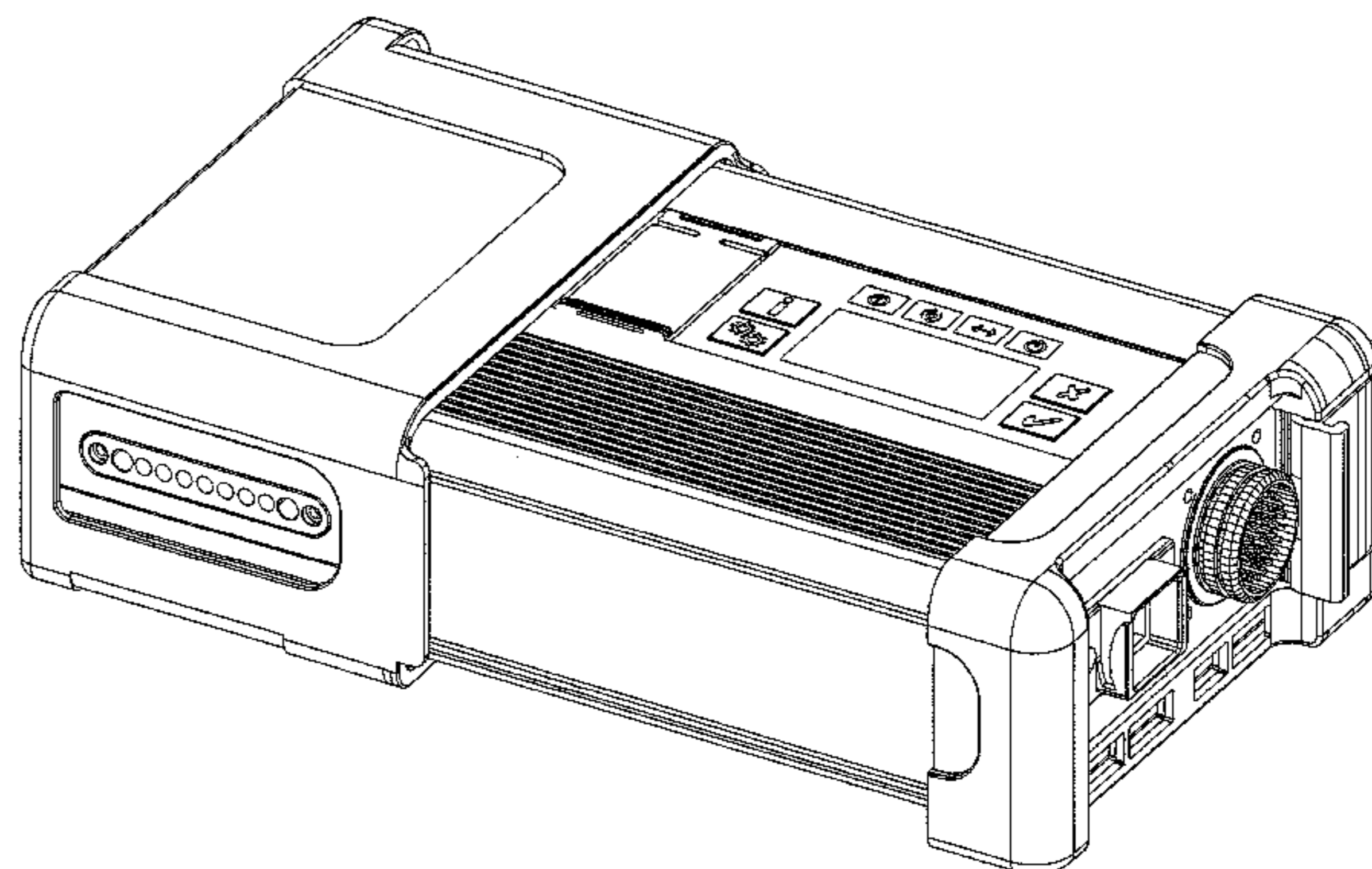
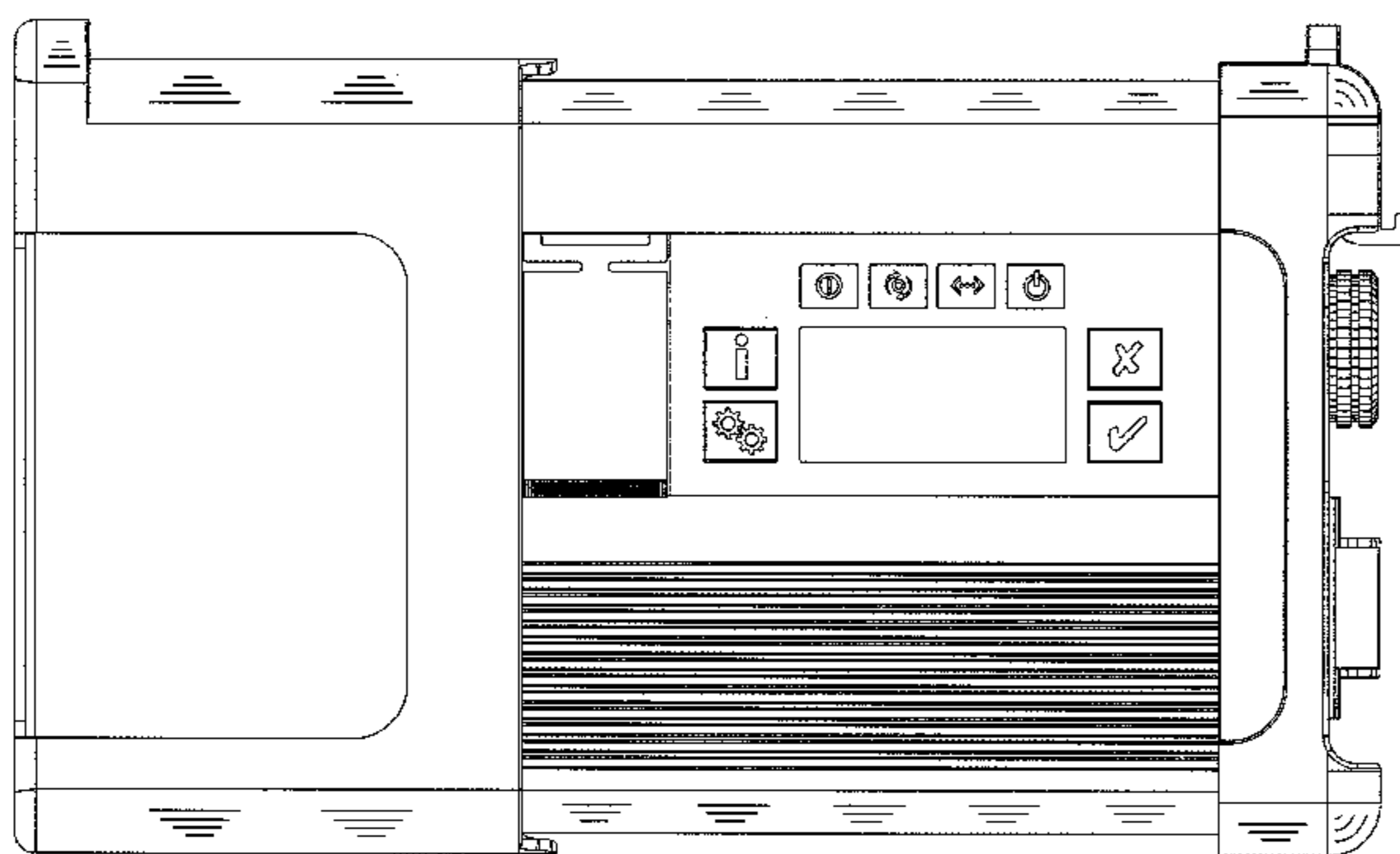
(57) **CLAIM**

I claim the ornamental design for an apparatus for recording and transmitting of information, as shown and described.

DESCRIPTION

FIG. 1 is a front view of the apparatus for recording and transmitting of information;
FIG. 2 is a rear view of the apparatus for recording and transmitting of information; and
FIG. 3 is a first side view of the apparatus for recording and transmitting of information;
FIG. 4 is a second side view of the apparatus for recording and transmitting of information;
FIG. 5 is a bottom view of the apparatus for recording and transmitting of information;
FIG. 6 is a top view of the apparatus for recording and transmitting of information; and,
FIG. 7 is a perspective view of the apparatus for recording and transmitting of information.

1 Claim, 7 Drawing Sheets



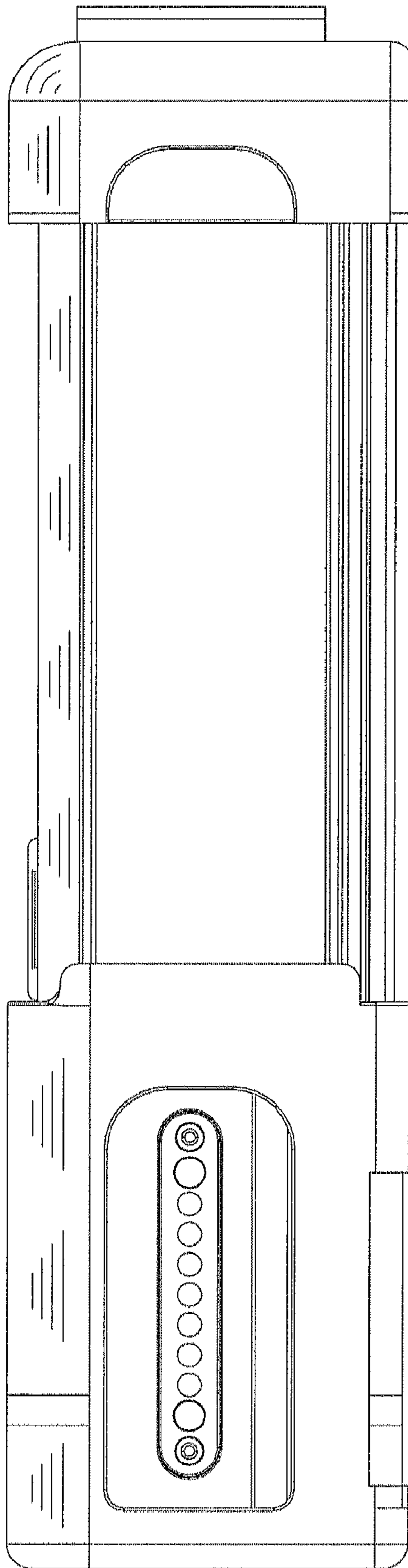


Fig. 1

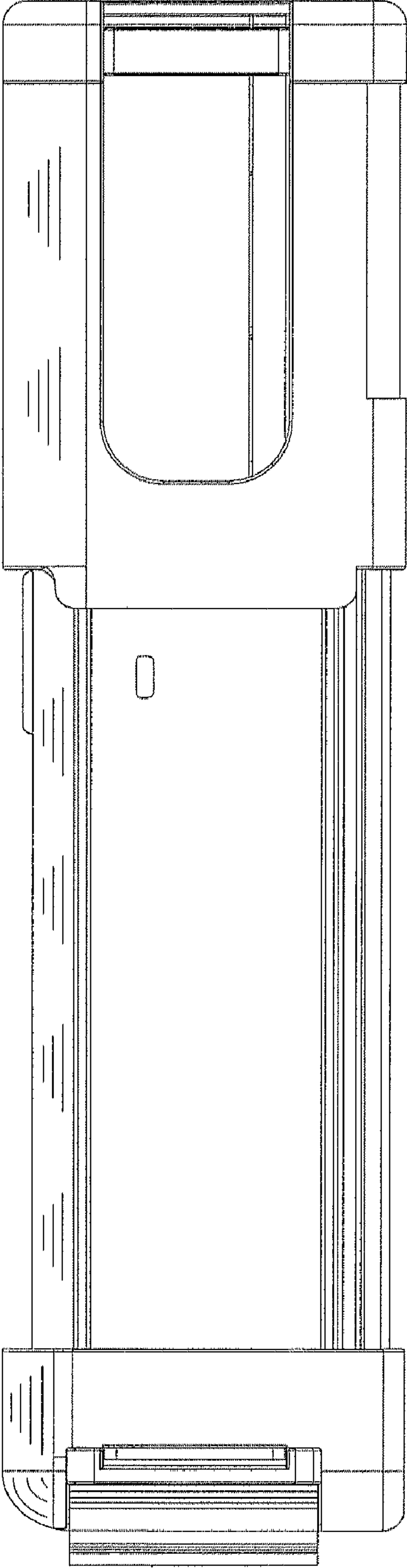


Fig. 2

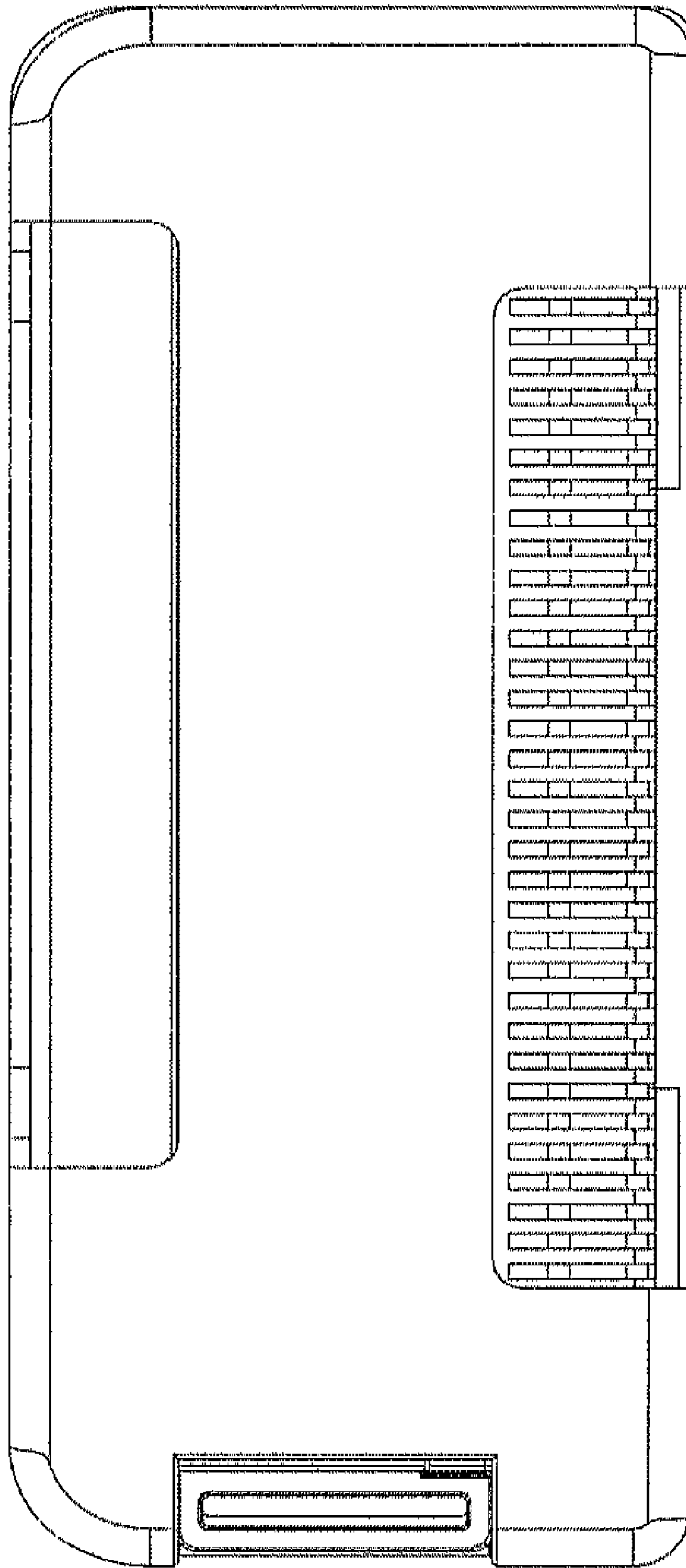


Fig. 3

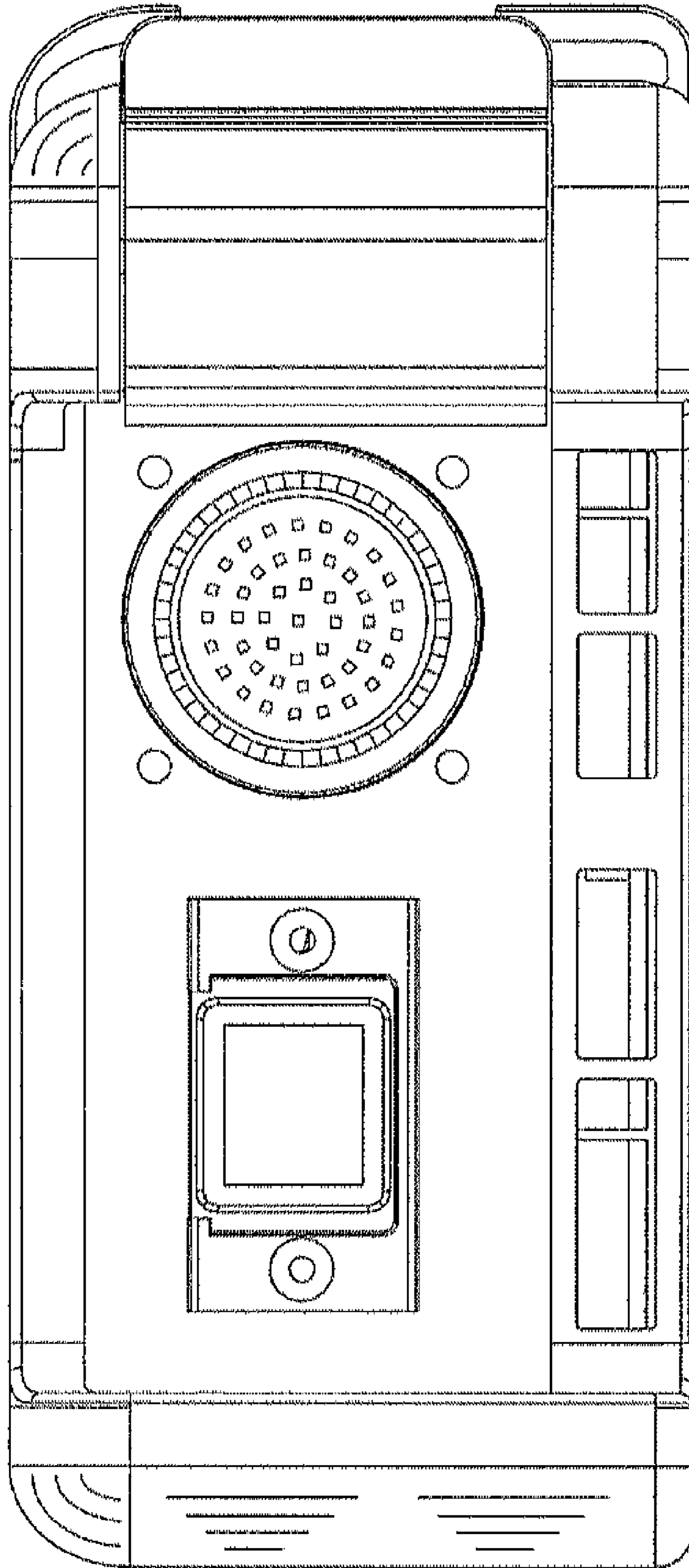


Fig. 4

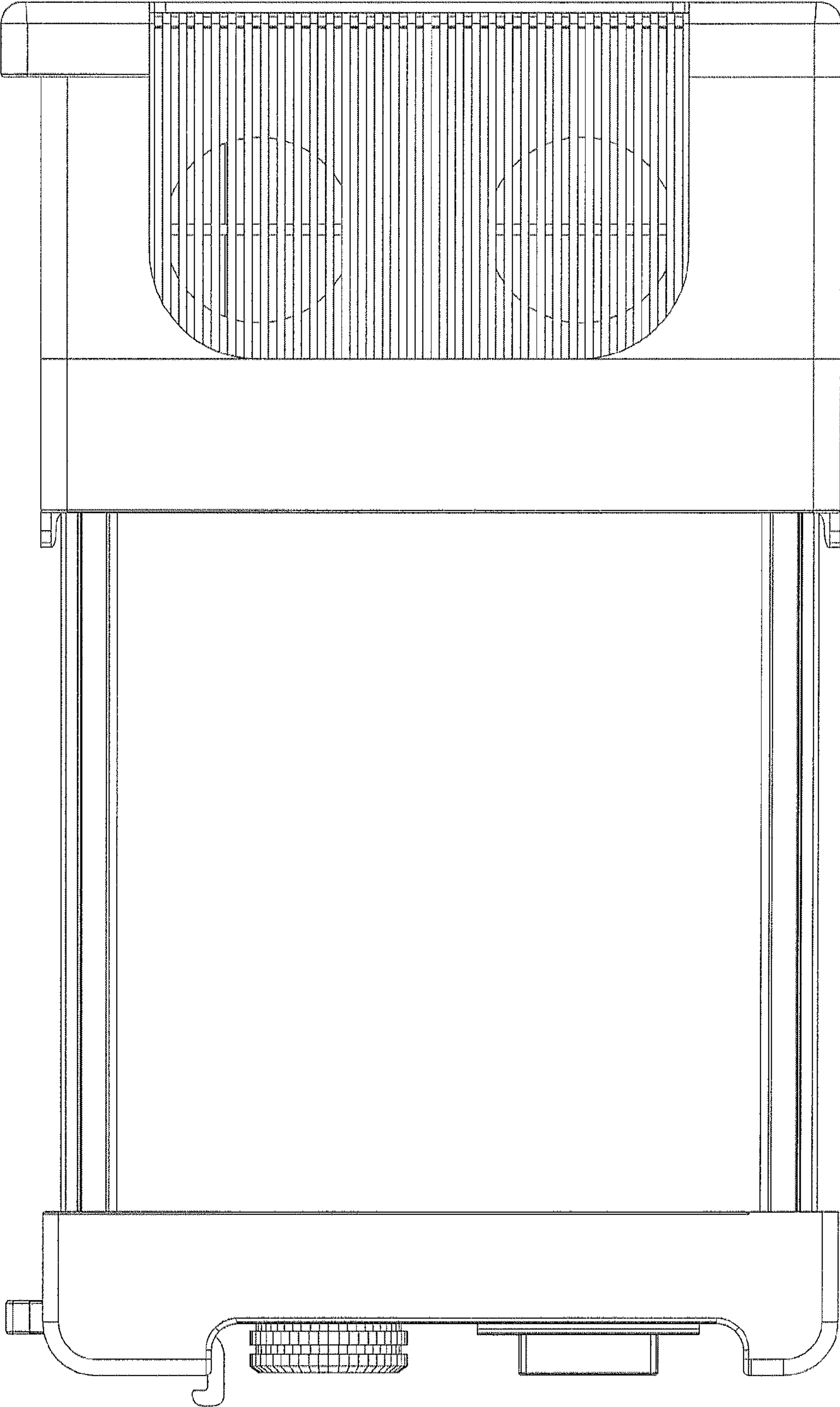


Fig. 5

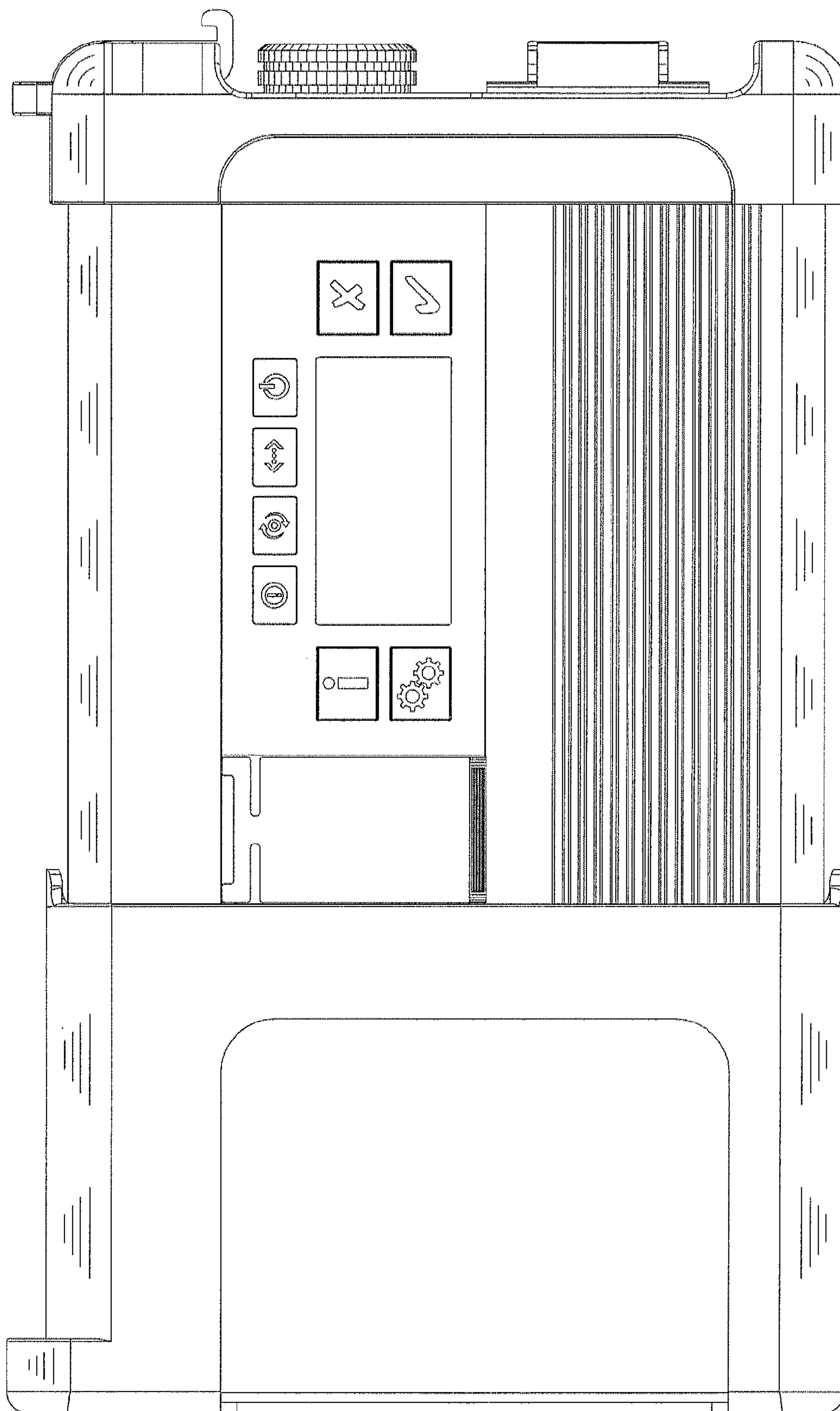
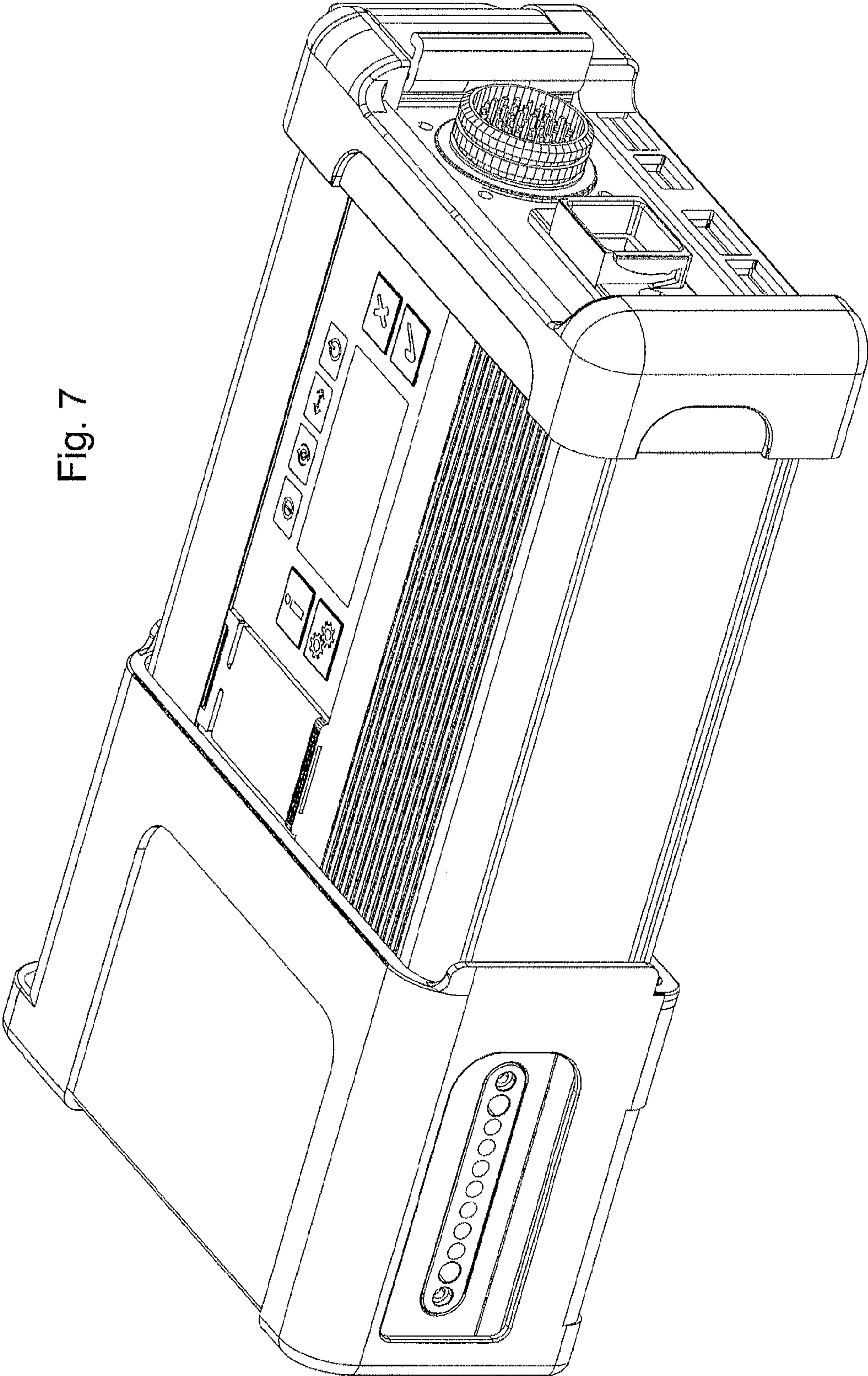


Fig. 6

Fig. 7



UNITED STATES PATENT AND TRADEMARK OFFICE
CERTIFICATE OF CORRECTION

PATENT NO. : D659,668 S
APPLICATION NO. : 29/400846
DATED : May 15, 2012
INVENTOR(S) : Manfred Neumann

Page 1 of 1

It is certified that error appears in the above-identified patent and that said Letters Patent is hereby corrected as shown below:

On the Title Page, item (73) of the issued patent under “Assignee”: I+Me Actia Informatik und Mikro-Elektronik GmbH (Braunschweig, DE) is changed to I+Me Actia Informatik und Mikro-Elektronik GmbH (Braunschweig, DE).

Signed and Sealed this
Twenty-third Day of October, 2012

A handwritten signature in black ink that reads "David J. Kappos". The signature is written in a cursive, slightly slanted style.

David J. Kappos
Director of the United States Patent and Trademark Office