



US00D659661S

(12) **United States Design Patent**
Lim et al.

(10) **Patent No.:** **US D659,661 S**

(45) **Date of Patent:** **** May 15, 2012**

(54) **PDP TELEVISION RECEIVER**

(75) Inventors: **Jae Won Lim**, Gyeonggi-do (KR); **Jun Ki Kim**, Seoul (KR); **Seung Mo Kang**, Seoul (KR)

(73) Assignee: **LG Electronics Inc.**, Seoul (KR)

(**) Term: **14 Years**

(21) Appl. No.: **29/402,116**

(22) Filed: **Sep. 21, 2011**

(30) **Foreign Application Priority Data**

Mar. 28, 2011 (KR) 30-2011-0012398

(51) **LOC (9) Cl.** **14-03**

(52) **U.S. Cl.** **D14/126**

(58) **Field of Classification Search** D14/125-134,
D14/239, 371, 136, 374-377, 440, 450, 448,
D14/336, 342; 312/7.2; 348/836, 838, 180,
348/184, 325, 739; 341/12; 248/917-924,
248/465; 345/104, 133, 156, 168, 87, 173;
720/605, 669, 600, 655; 369/99, 197; 455/344,
455/347; D21/329, 515, 577, 622, 333, 433,
D21/448, 452, 450, 331; D6/477, 479, 300;
273/148 B; 446/484, 175, 356; D10/15,
D10/26

See application file for complete search history.

(56) **References Cited**

U.S. PATENT DOCUMENTS

D529,911 S *	10/2006	Yamashiro et al.	D14/375
D545,778 S *	7/2007	Isshiki	D14/126
D552,090 S *	10/2007	Kita	D14/239
D558,743 S *	1/2008	Isshiki	D14/239
D562,788 S *	2/2008	Asanuma et al.	D14/126
D570,312 S *	6/2008	Kita	D14/126
D612,819 S *	3/2010	Honda	D14/126
D620,901 S *	8/2010	Won et al.	D14/126
7,775,494 B2 *	8/2010	Yen et al.	248/917
D626,923 S *	11/2010	Yoshimura et al.	D14/126
D634,324 S *	3/2011	Park et al.	D14/374
D639,760 S *	6/2011	Tierney et al.	D14/126

* cited by examiner

Primary Examiner — Raphael Barkai

(74) *Attorney, Agent, or Firm* — Morgan, Lewis & Bockius LLP

(57) **CLAIM**

We claim the ornamental design for a PDP television receiver, as shown and described.

DESCRIPTION

FIG. 1 is a perspective view of a PDP television receiver showing our new design;

FIG. 2 is a front elevation view thereof;

FIG. 3 is a rear elevation view thereof;

FIG. 4 is a left-side elevation view thereof;

FIG. 5 is a right-side elevation view thereof;

FIG. 6 is a top plan view thereof; and,

FIG. 7 is a bottom plan view thereof.

1 Claim, 5 Drawing Sheets

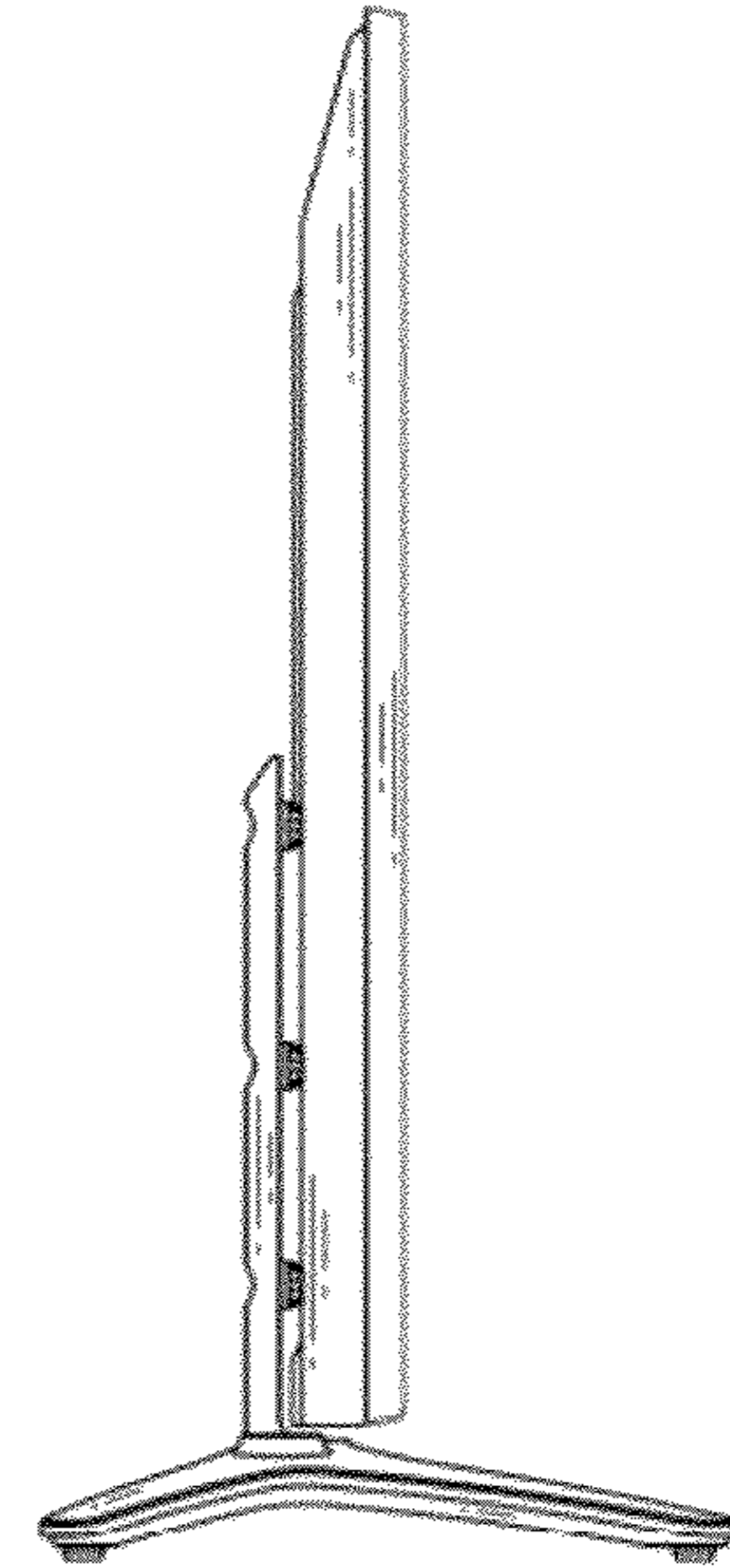
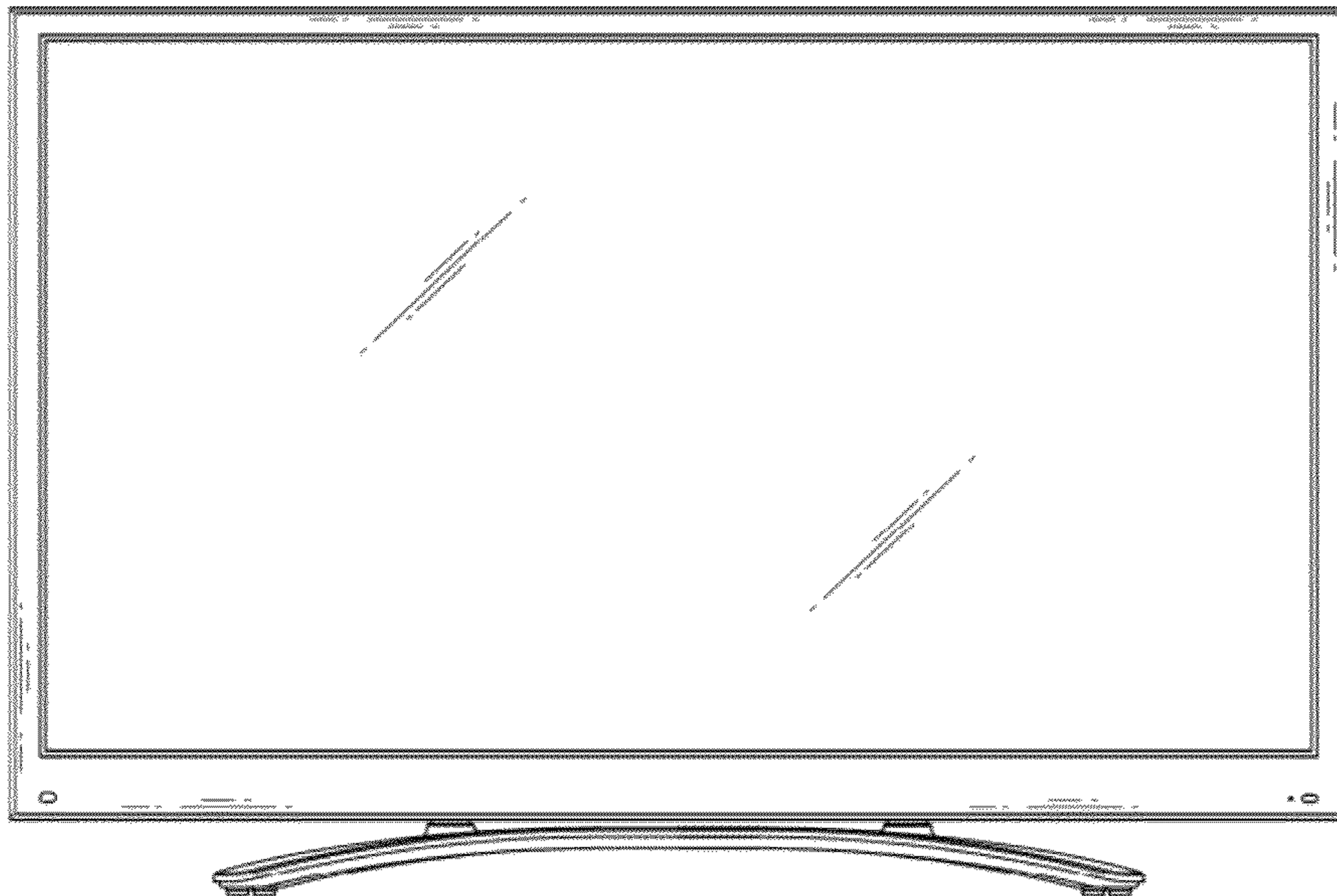


FIG. 1

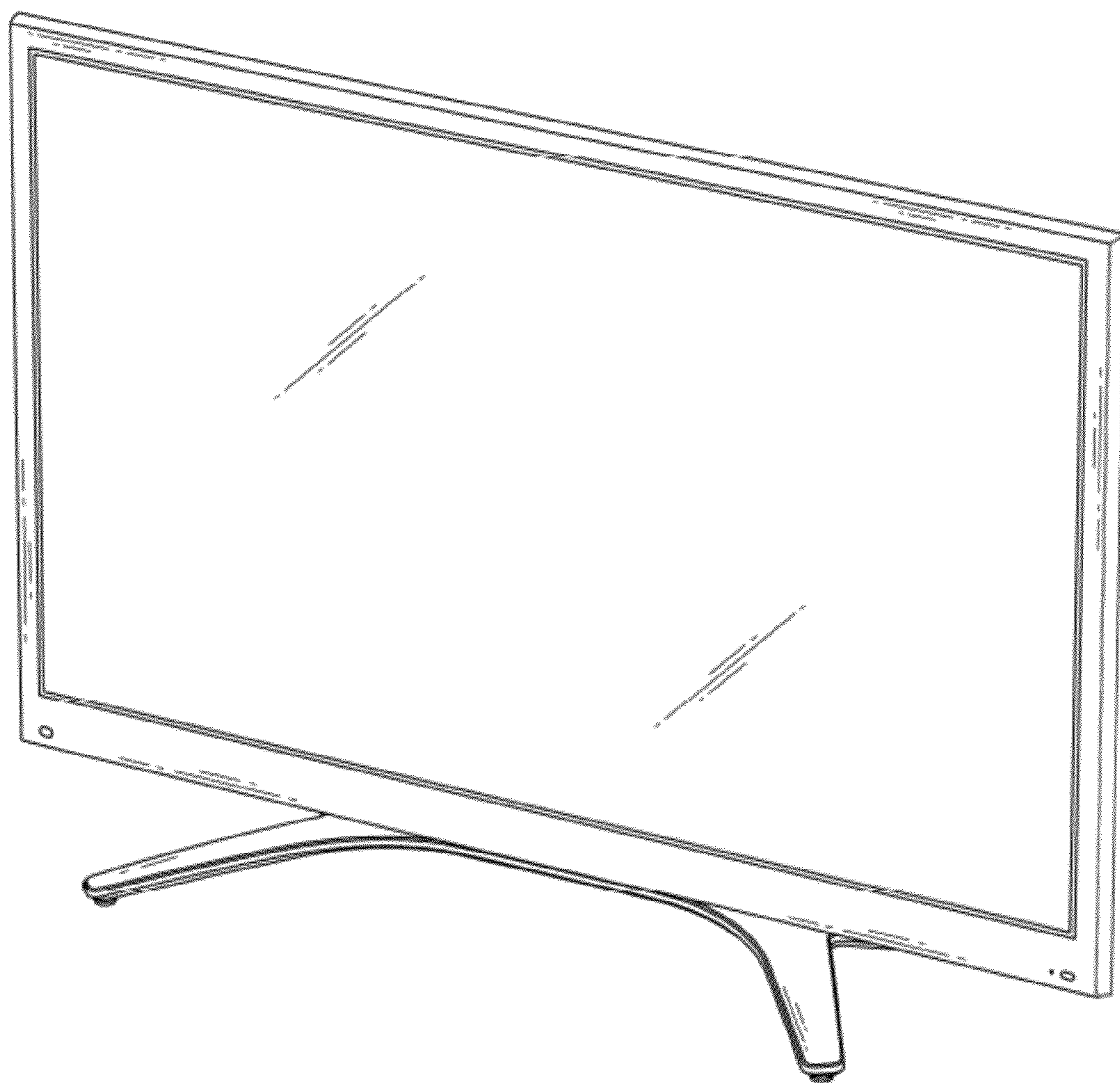


FIG.2

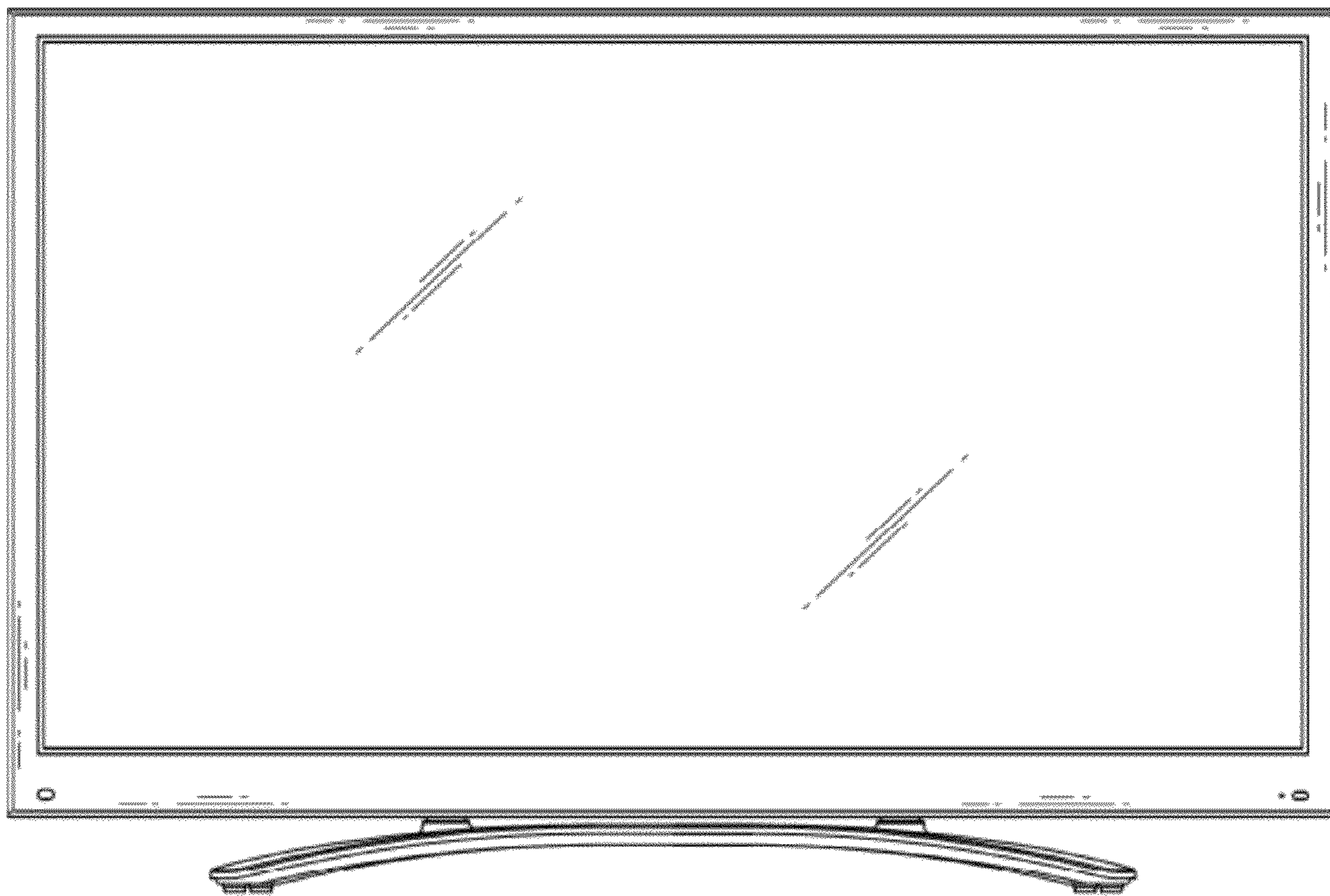


FIG. 3

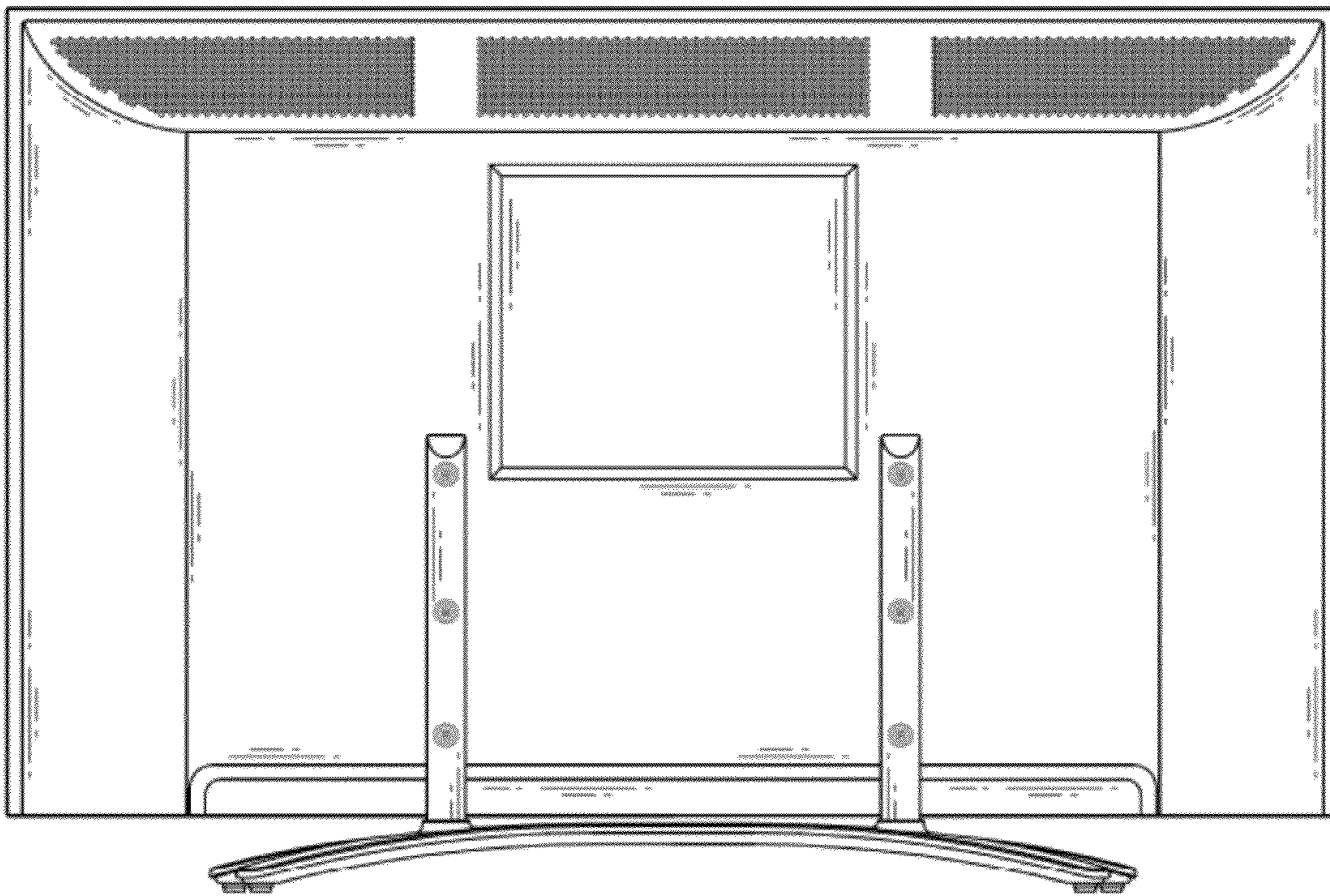


FIG. 4

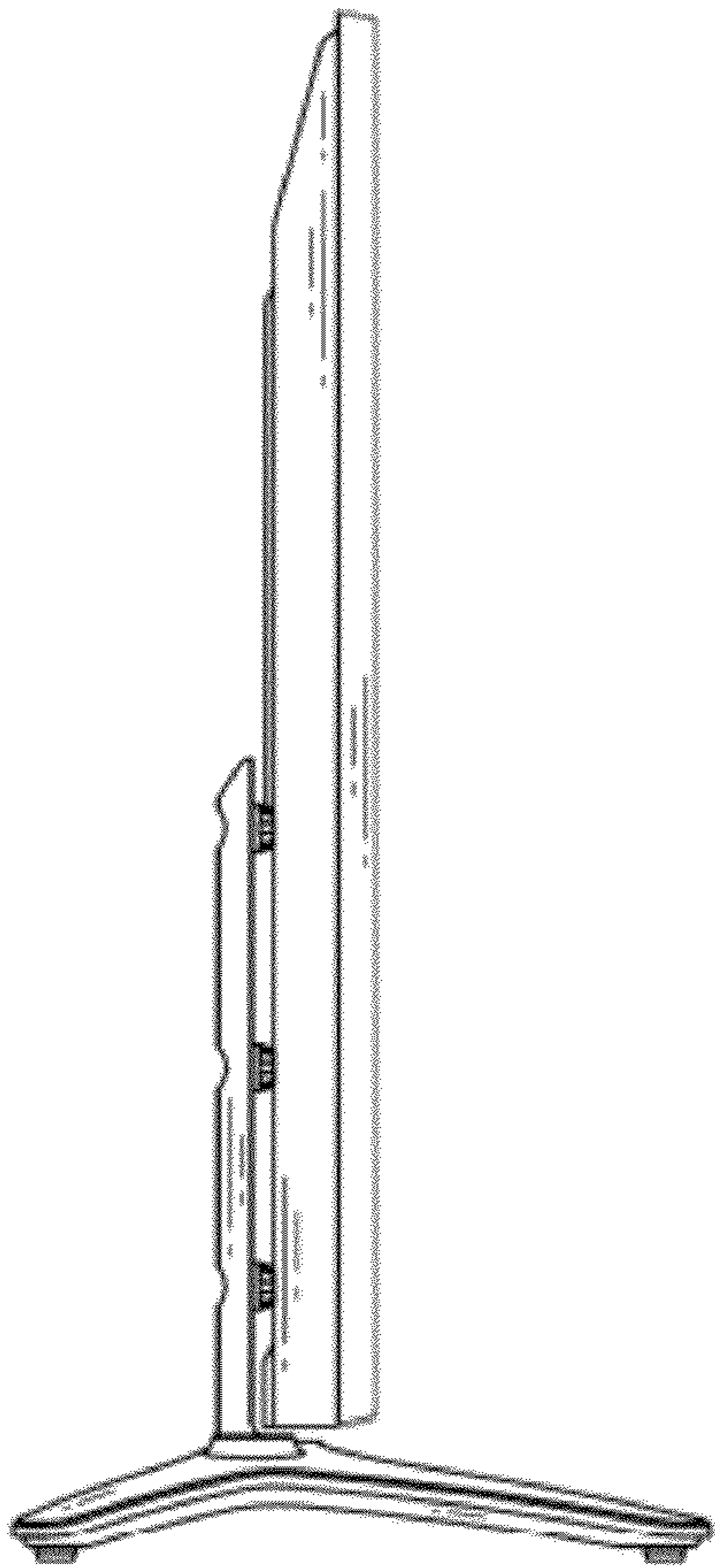


FIG. 5

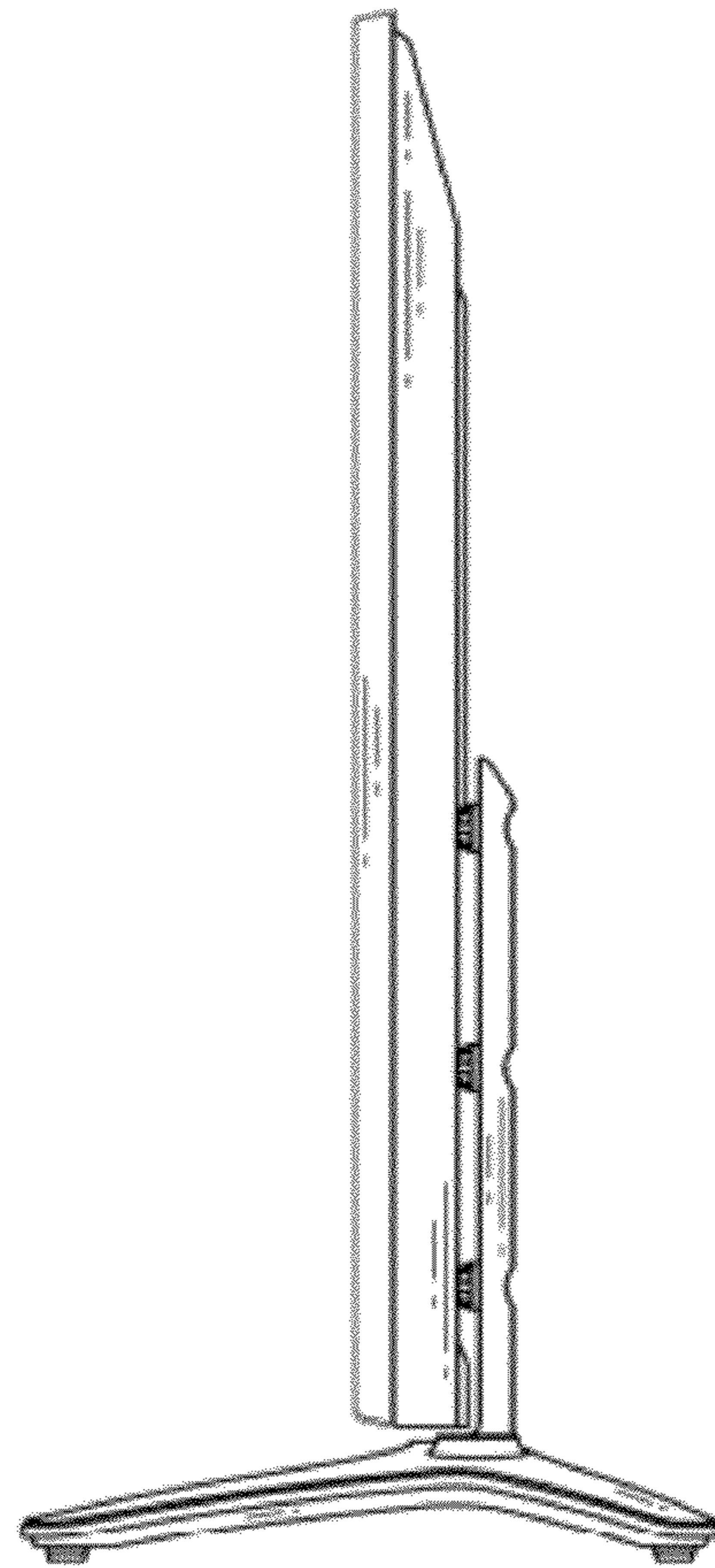


FIG.6

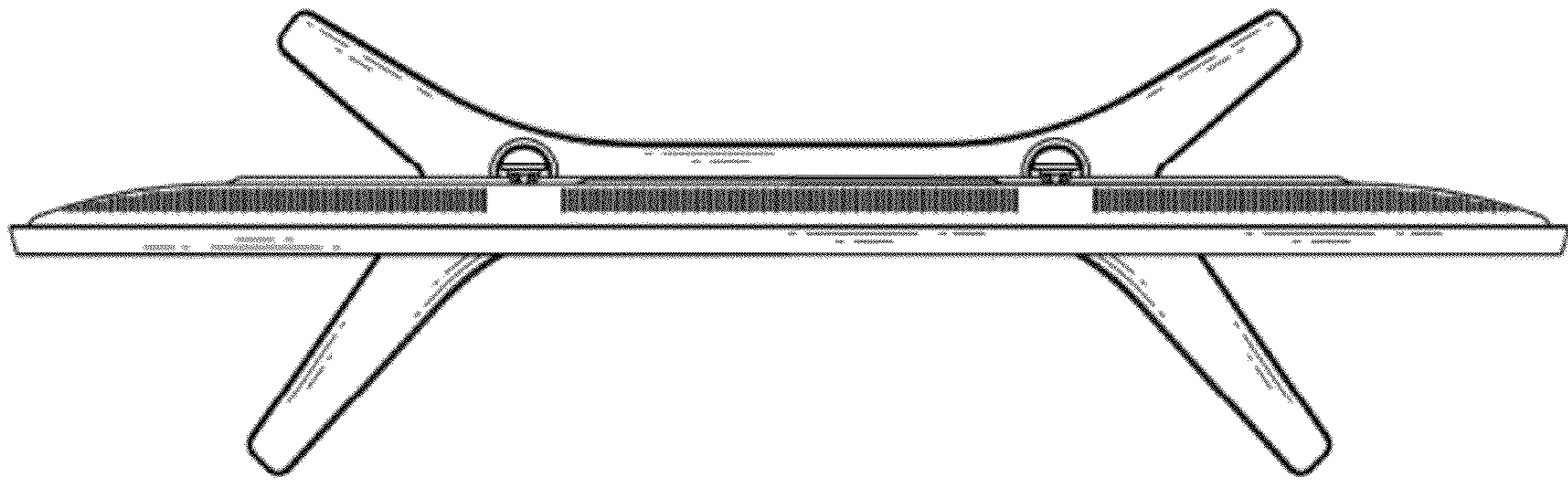


FIG.7

