



US00D659659S

(12) **United States Design Patent**
Huang

(10) **Patent No.:** **US D659,659 S**

(45) **Date of Patent:** **** May 15, 2012**

(54) **SET-TOP BOX**

(75) Inventor: **Chih-Hua Huang**, New Taipei (TW)

(73) Assignees: **Askey Technology (Jiangsu) Ltd.** (CN);
Askey Computer Corp. (TW)

(**) Term: **14 Years**

(21) Appl. No.: **29/410,694**

(22) Filed: **Jan. 11, 2012**

(30) **Foreign Application Priority Data**

Jan. 4, 2012 (TW) 101300031

(51) **LOC (9) Cl.** **14-03**

(52) **U.S. Cl.** **D14/125**

(58) **Field of Classification Search** D14/125,
D14/357-358, 496, 188, 242, 432; D13/184;
348/10, 460, 706, 731; 340/825.03; 455/6.1,
455/6.2; 312/223.1, 7.2

See application file for complete search history.

(56) **References Cited**

U.S. PATENT DOCUMENTS

D606,543 S * 12/2009 Wong et al. D14/358
D626,099 S * 10/2010 Huang D14/125
D627,318 S * 11/2010 Petersen et al. D14/125
D638,811 S * 5/2011 McMiller et al. D14/125
D641,327 S * 7/2011 Falakfarsa et al. D14/125
D644,192 S * 8/2011 McManigal et al. D14/125

* cited by examiner

Primary Examiner — Raphael Barkai

Assistant Examiner — Randall Gholson

(74) *Attorney, Agent, or Firm* — Schmeiser, Olsen & Watts,
LLP

(57) **CLAIM**

The ornamental design for a set-top box, as shown and described.

DESCRIPTION

FIG. 1 is a perspective view of a set-top box showing my new design;

FIG. 2 is a front elevational view thereof;

FIG. 3 is a rear elevational view thereof, the broken line showing are for illustrative purposes only and form no part of the claimed design;

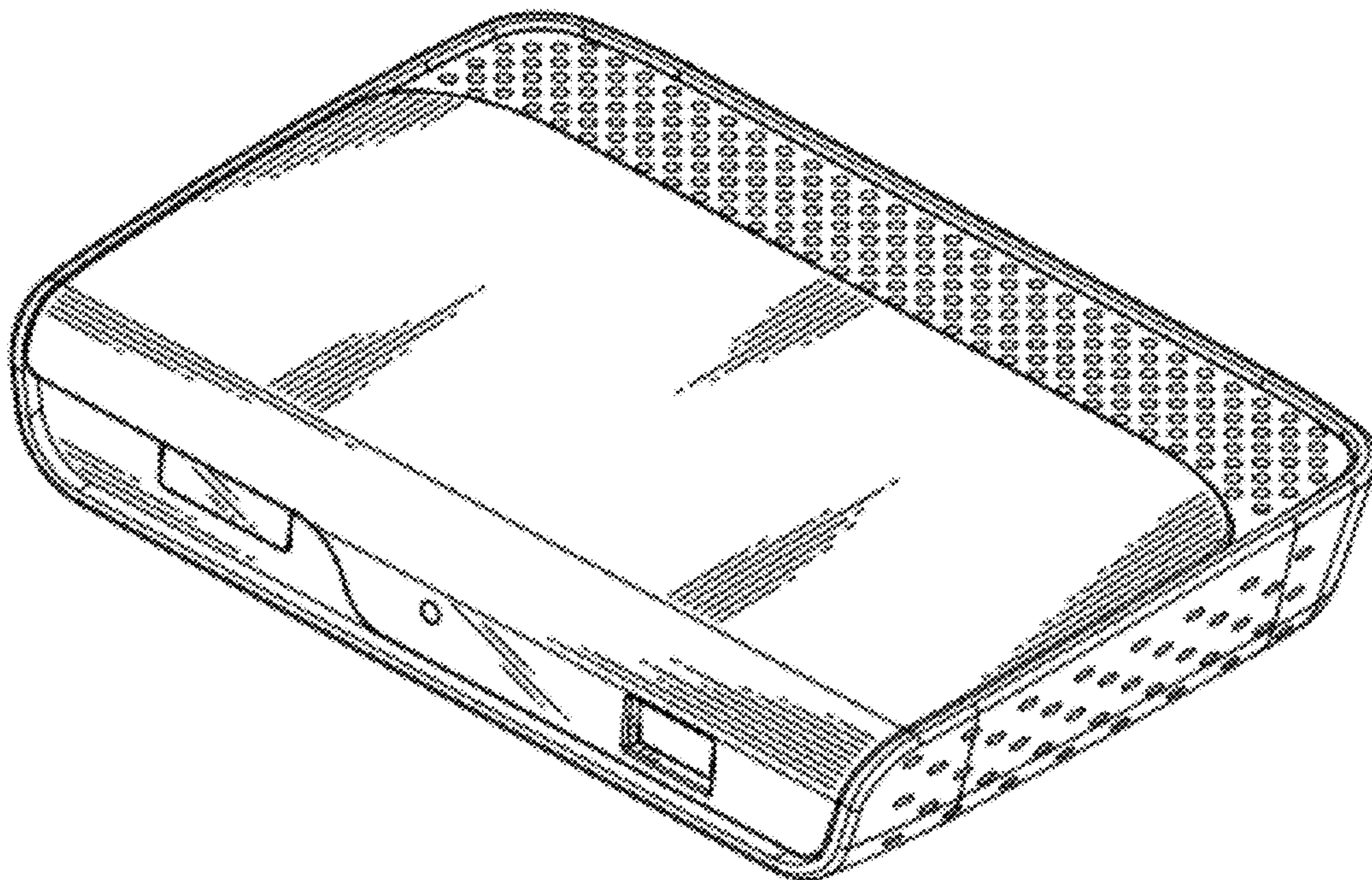
FIG. 4 is a left side elevational view thereof, the broken line showing are for illustrative purposes only and form no part of the claimed design;

FIG. 5 is a right side elevational view thereof, the broken line showing are for illustrative purposes only and form no part of the claimed design;

FIG. 6 is a top plan view thereof, the broken line showing are for illustrative purposes only and form no part of the claimed design; and,

FIG. 7 is a bottom plan view thereof, the broken line showing are for illustrative purposes only and form no part of the claimed design.

1 Claim, 4 Drawing Sheets



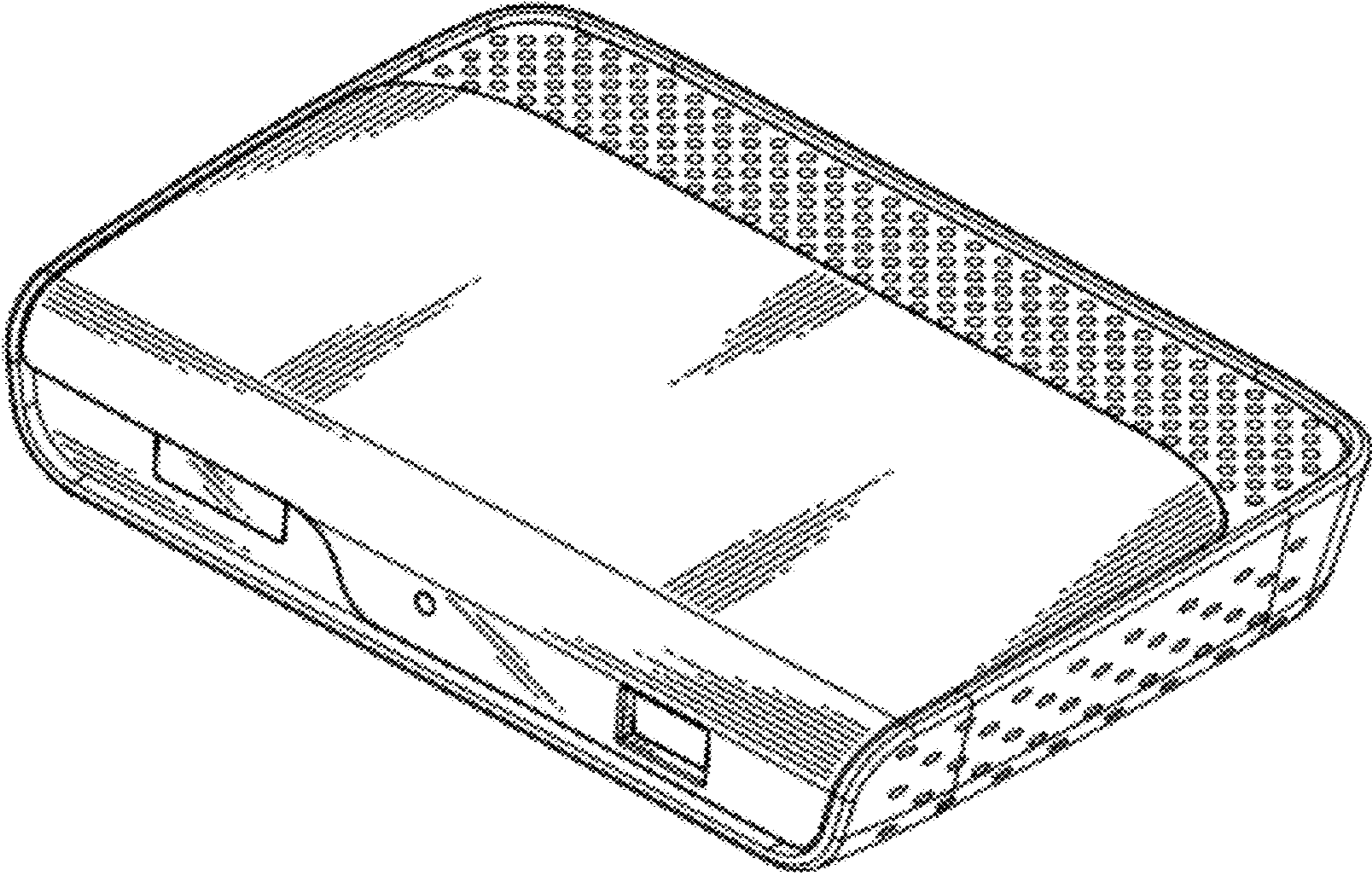


FIG. 1

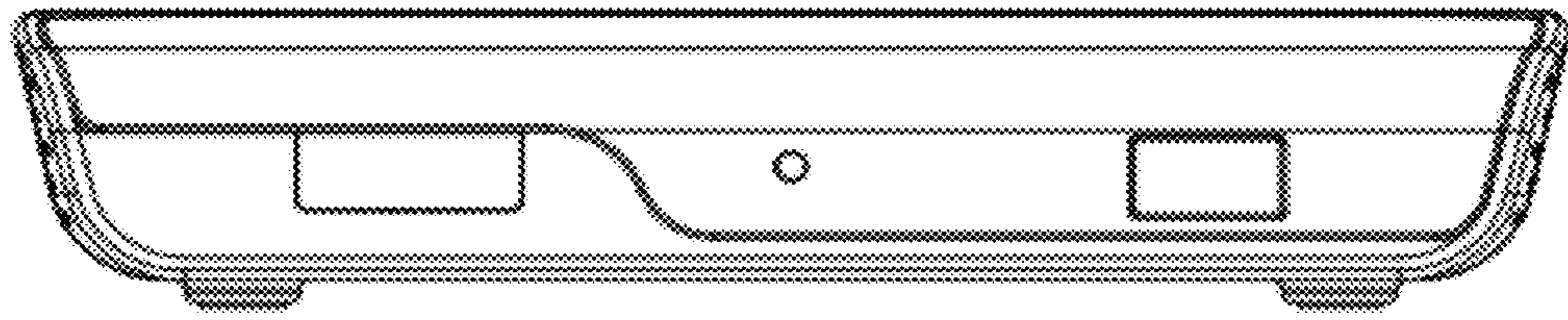


FIG. 2

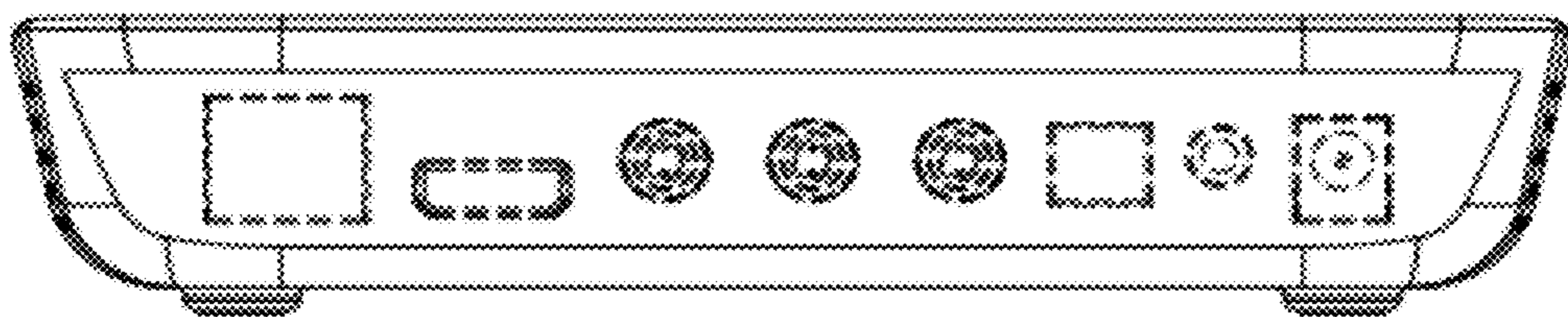


FIG. 3

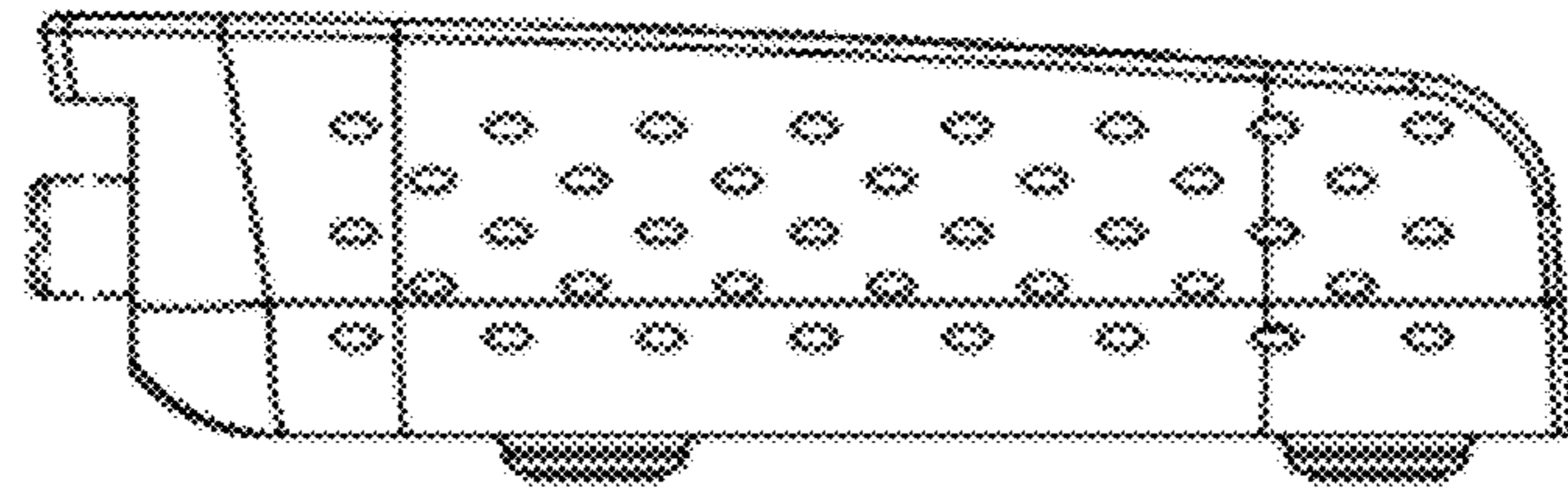


FIG. 4

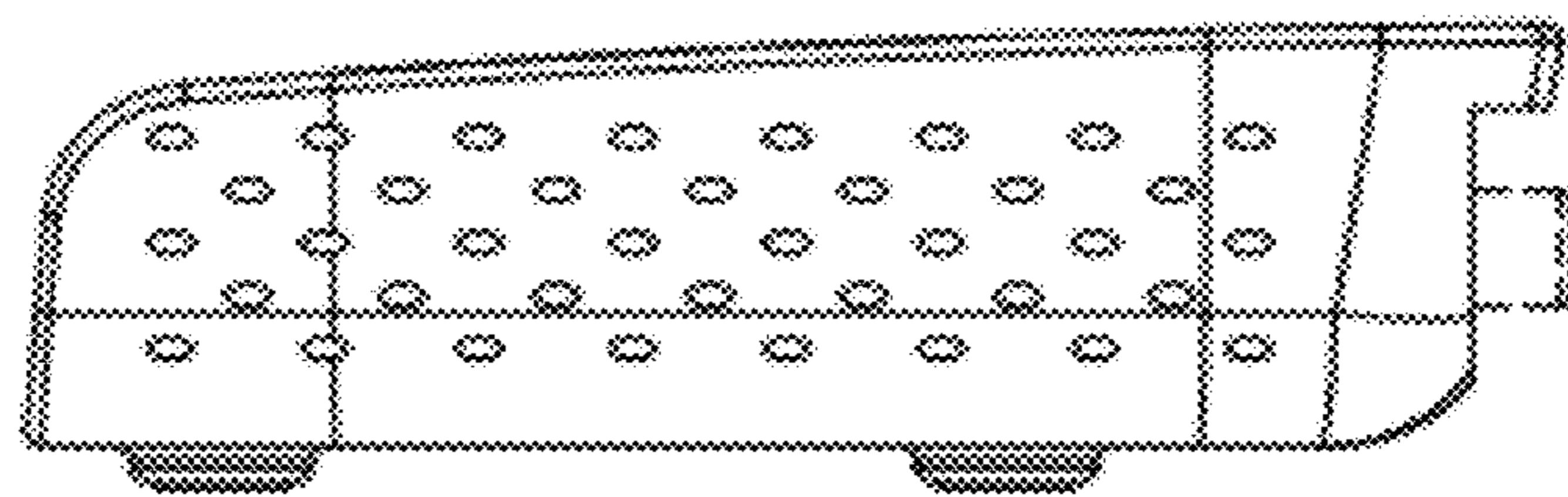


FIG. 5

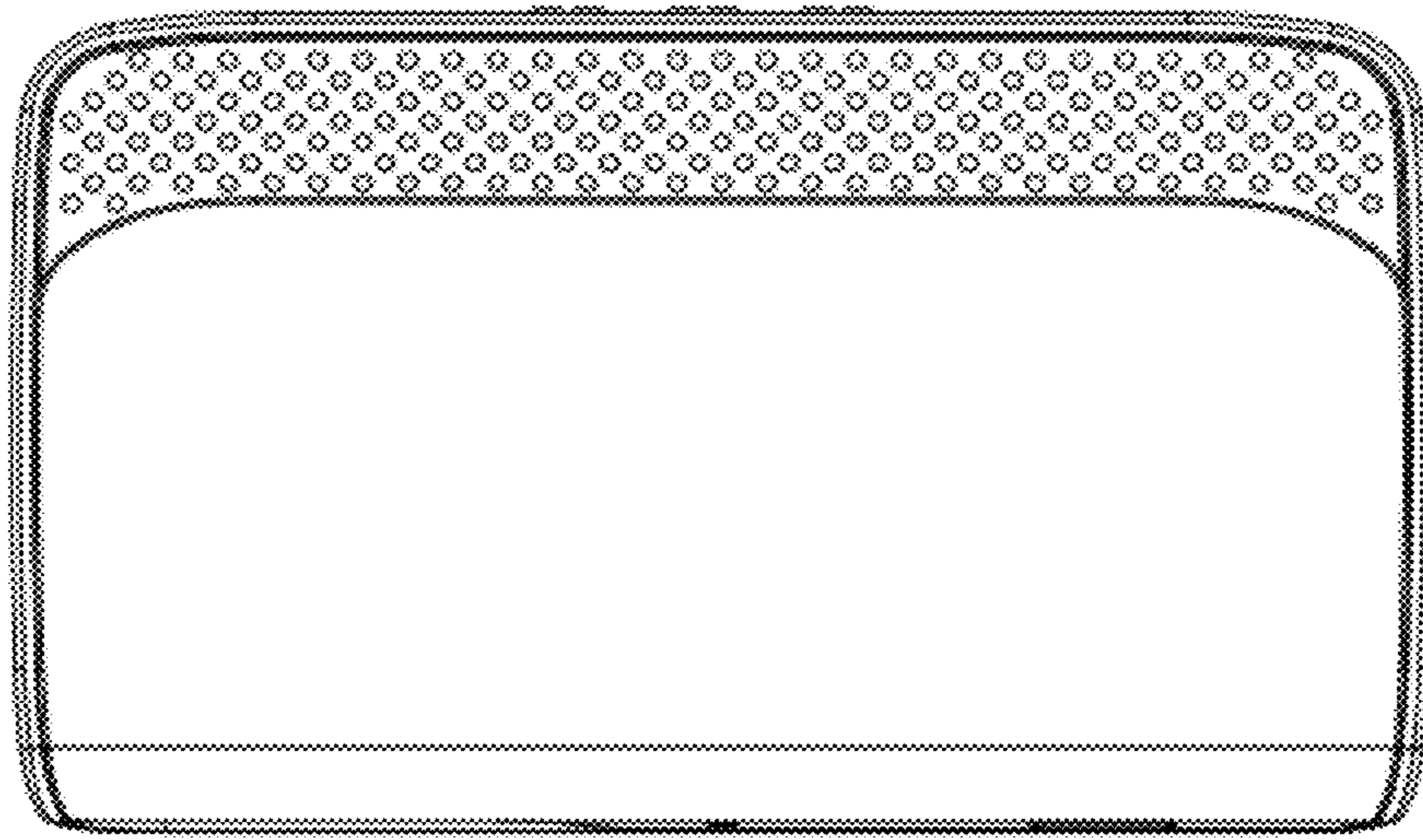


FIG. 6

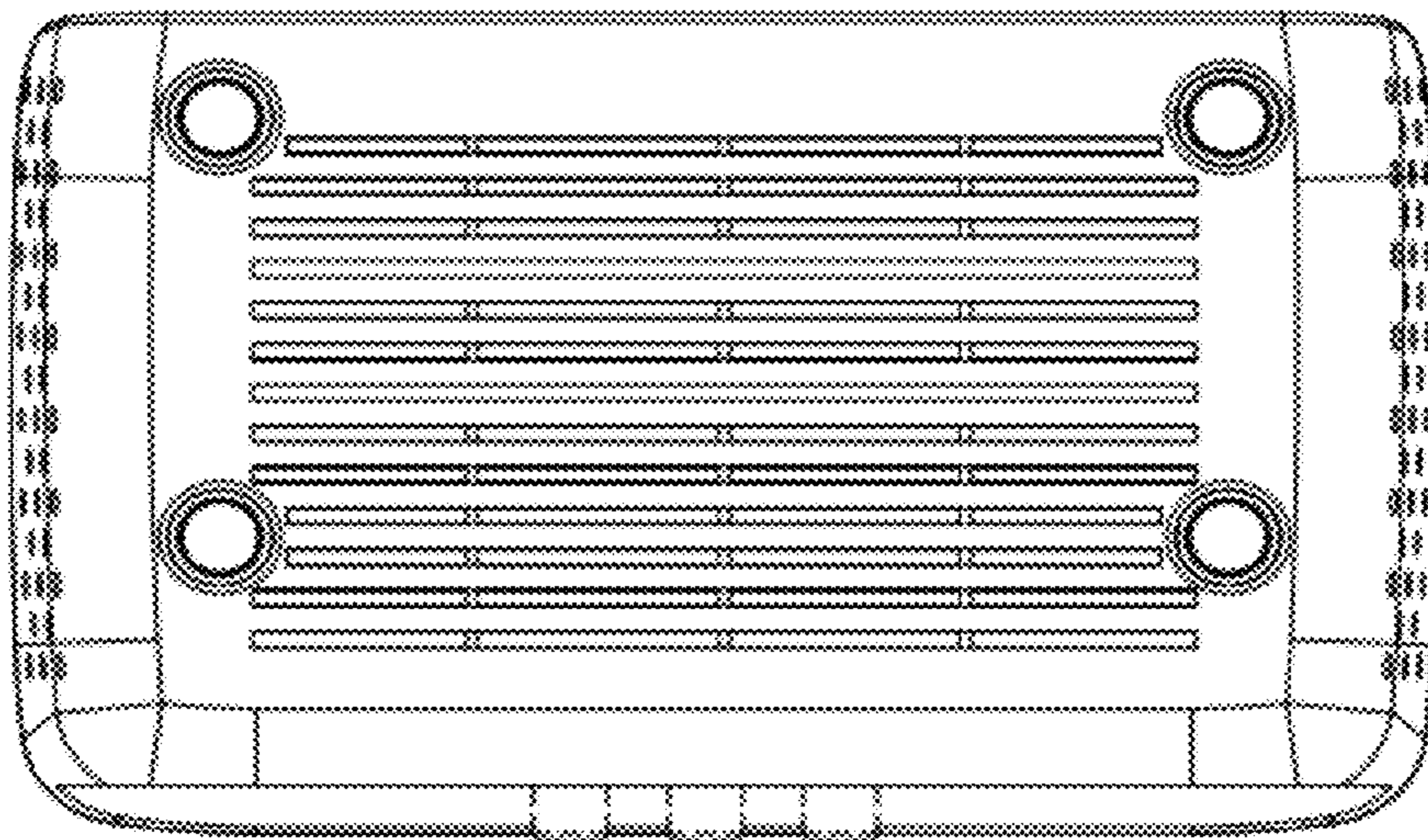


FIG. 7