



US00D659658S

(12) **United States Design Patent**
Gaines

(10) **Patent No.:** **US D659,658 S**

(45) **Date of Patent:** **** May 15, 2012**

(54) **STATIC ELECTRICITY DISCHARGER**

(76) Inventor: **Michael J. Gaines**, Lakewood, CO (US)

(**) Term: **14 Years**

(21) Appl. No.: **29/368,960**

(22) Filed: **Aug. 31, 2010**

(51) **LOC (9) Cl.** **13-03**

(52) **U.S. Cl.** **D13/199**

(58) **Field of Classification Search** D13/133,
D13/183, 184, 199; D24/108, 232; 361/212,
361/213, 214, 215, 216, 220, 437
See application file for complete search history.

(56) **References Cited**

U.S. PATENT DOCUMENTS

D177,699 S * 5/1956 Schultz D10/103
D266,841 S * 11/1982 Vintzel D13/162
D276,998 S * 1/1985 Caven D13/184

5,190,331 A * 3/1993 Corbin 294/24
D524,739 S * 7/2006 Su D13/133
D547,737 S * 7/2007 Lee D13/199

* cited by examiner

Primary Examiner — Daniel Bui

(74) *Attorney, Agent, or Firm* — Merchant & Gould PC

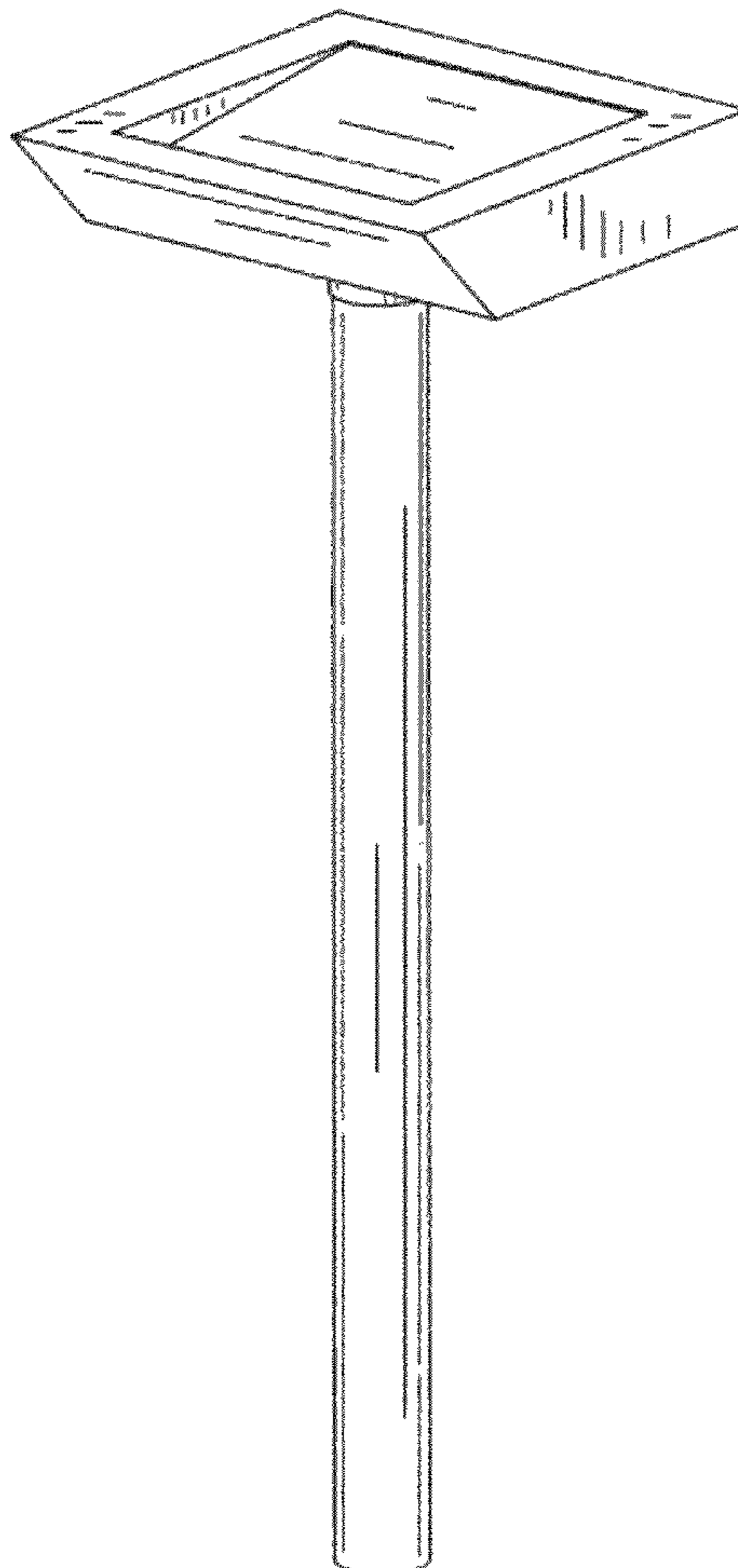
(57) **CLAIM**

The ornamental design for a static electricity discharger, as shown and described.

DESCRIPTION

FIG. 1 is a top perspective view of a static electricity discharger showing my new design;
FIG. 2 is a bottom perspective view thereof;
FIG. 3 is a front view thereof;
FIG. 4 is a rear or back view thereof;
FIG. 5 is a right side elevation view thereof;
FIG. 6 is a top view thereof; and,
FIG. 7 is a bottom view thereof.

1 Claim, 5 Drawing Sheets



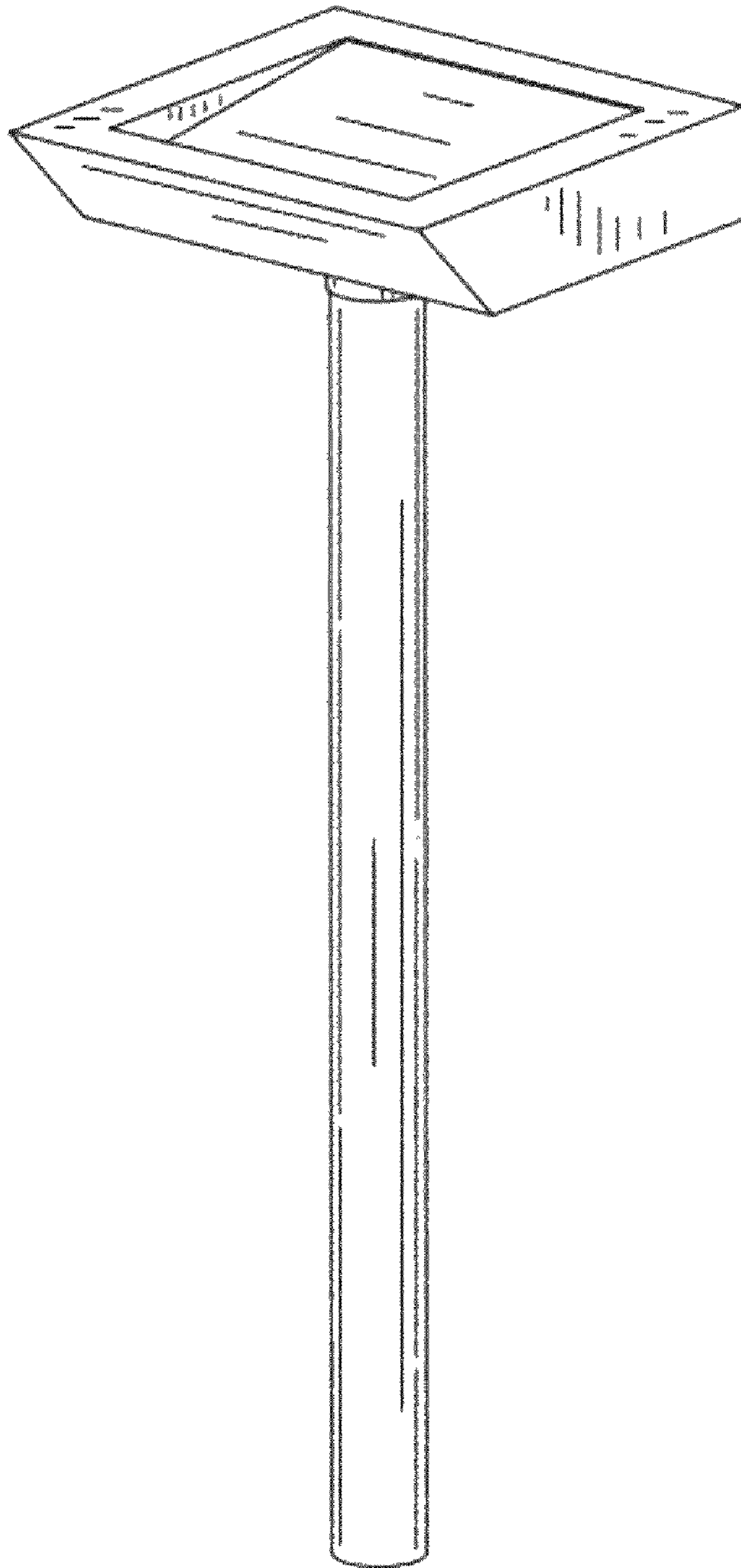


FIG. 1

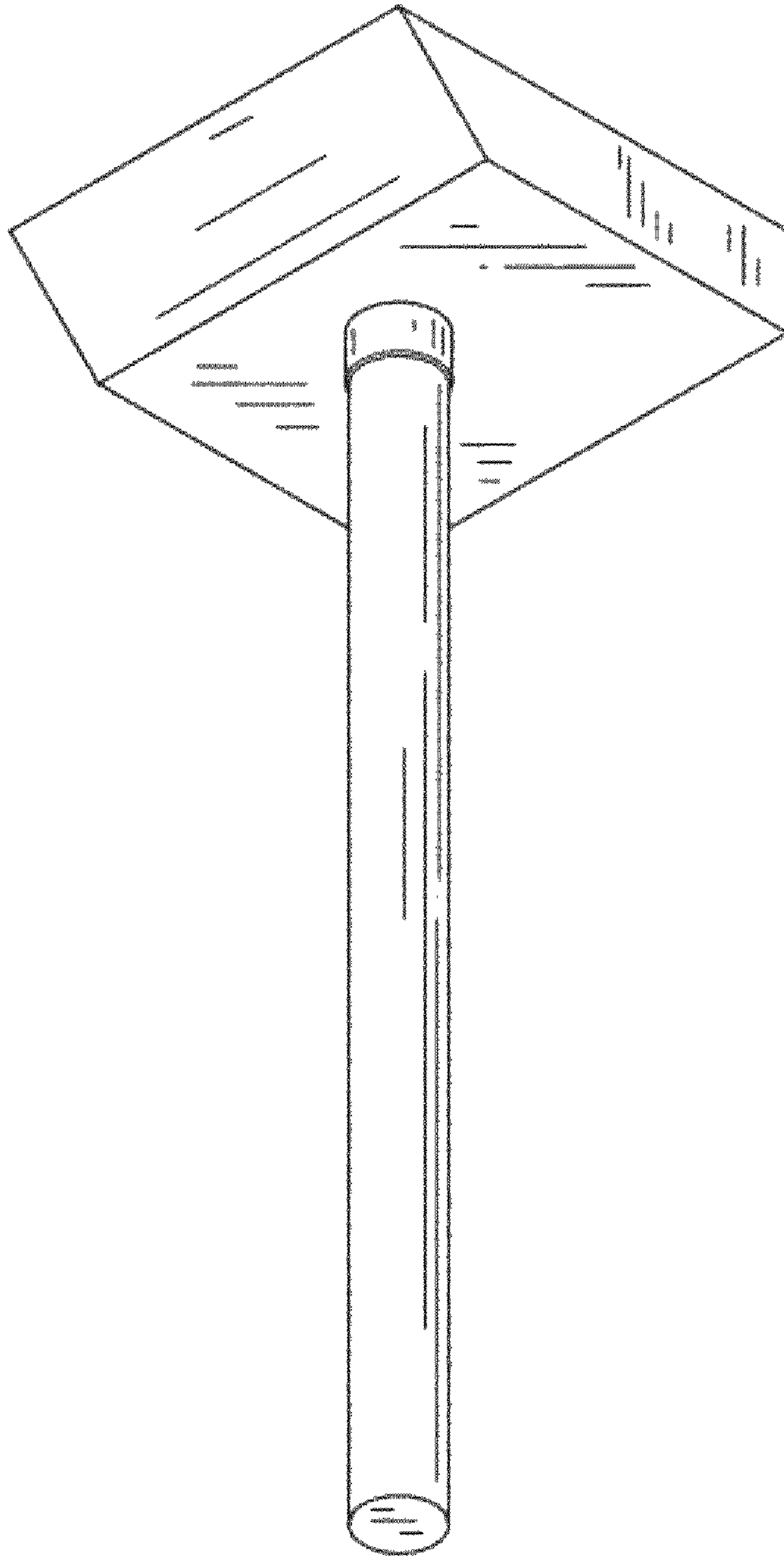


FIG.2

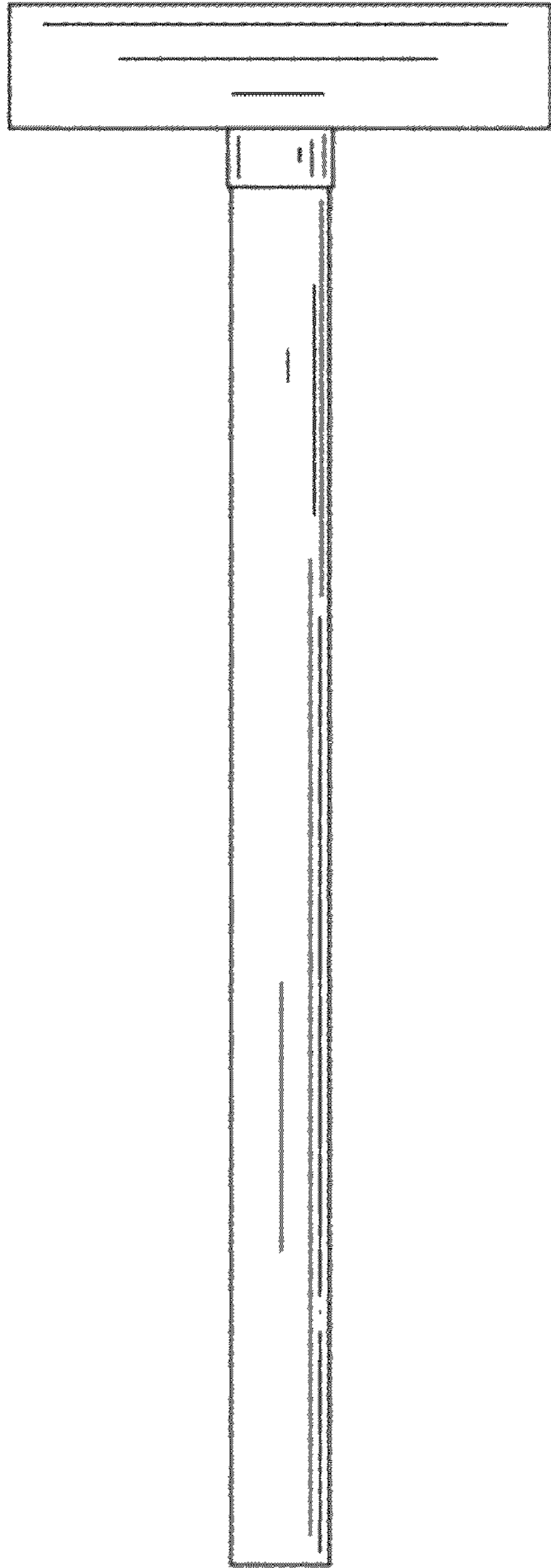


FIG.3

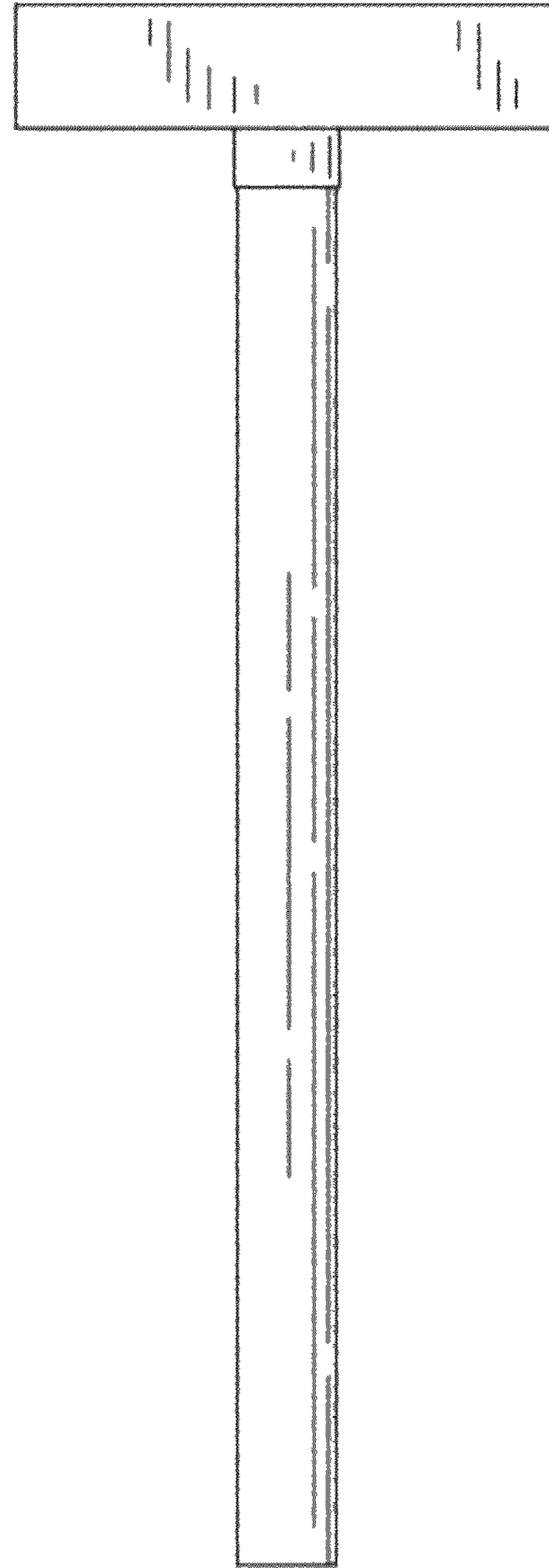


FIG.4

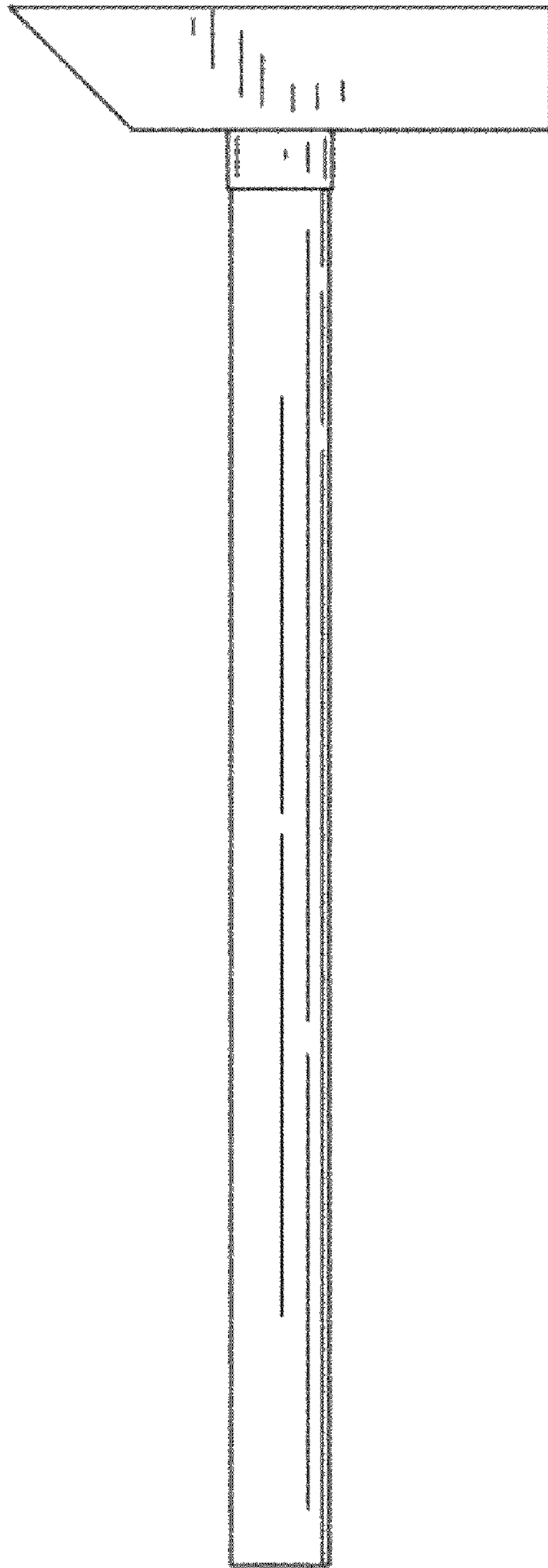


FIG.5

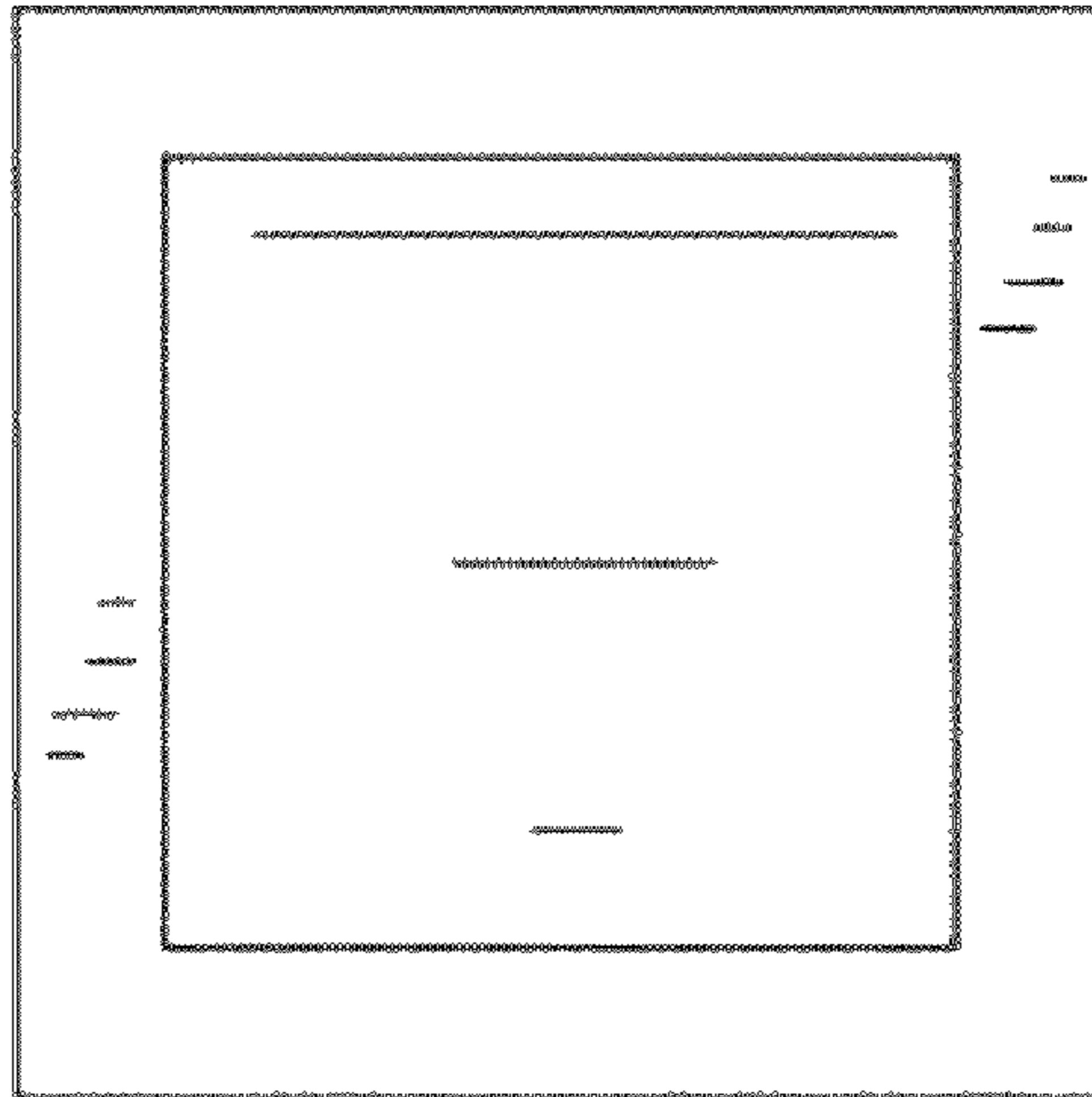


FIG. 6

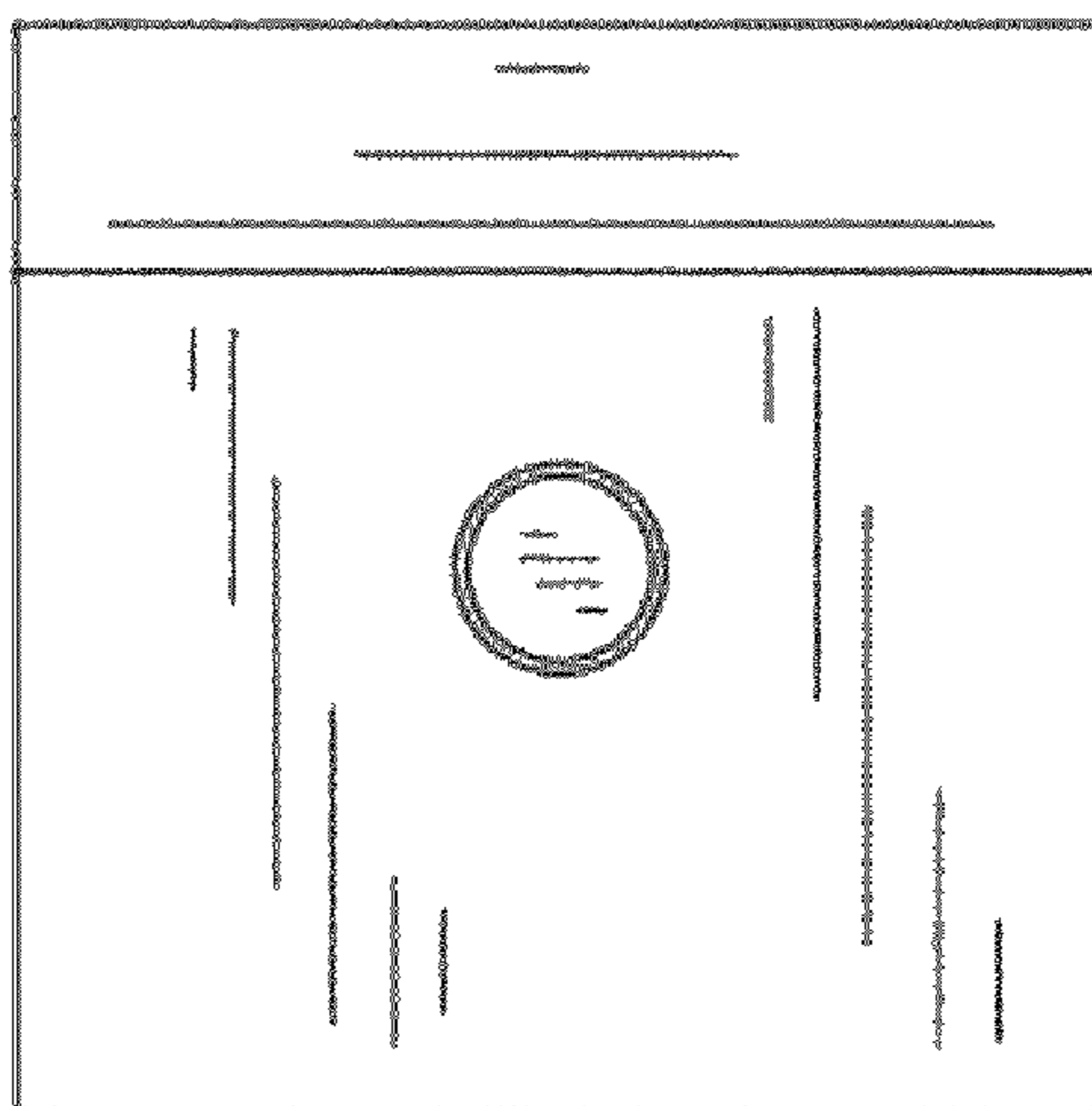


FIG. 7