



US00D659656S

(12) **United States Design Patent**
Wilson

(10) **Patent No.:** **US D659,656 S**

(45) **Date of Patent:** **** May 15, 2012**

(54) **G4 BACK PIN LIGHT PLUG**

(75) Inventor: **Gregg Wilson**, Goleta, CA (US)

(73) Assignee: **Starlights, Inc.**, Goleta, CA (US)

(**) Term: **14 Years**

(21) Appl. No.: **29/396,643**

(22) Filed: **Jul. 5, 2011**

(51) **LOC (9) Cl.** **13-03**

(52) **U.S. Cl.** **D13/180**

(58) **Field of Classification Search** D13/180;
D26/2, 35; 257/99; 313/318.01, 318.02,
313/318.1; 362/172, 647, 800; 439/176.1,
439/239, 675, 699.2

See application file for complete search history.

(56) **References Cited**

U.S. PATENT DOCUMENTS

| | | | | |
|--------------|------|---------|------------------------|------------|
| 6,213,816 | B1 * | 4/2001 | Meichsner et al. | 439/699.2 |
| 6,869,300 | B2 * | 3/2005 | Lefki et al. | 439/242 |
| 7,568,830 | B2 * | 8/2009 | Hsu | 362/655 |
| 7,745,982 | B2 * | 6/2010 | Rosenmuller et al. ... | 313/318.01 |
| 7,841,741 | B2 * | 11/2010 | Chan et al. | 362/249.04 |
| 7,850,361 | B2 * | 12/2010 | Yu | 362/647 |
| D634,282 | S | 3/2011 | Wilson | |
| 8,118,447 | B2 * | 2/2012 | Simon et al. | 362/235 |
| 2002/0068470 | A1 * | 6/2002 | Spiegel | 439/76.1 |
| 2002/0167257 | A1 * | 11/2002 | Shen | 313/318.01 |
| 2009/0015127 | A1 * | 1/2009 | Li et al. | 313/318.01 |
| 2009/0280695 | A1 * | 11/2009 | Sekela et al. | 439/699.2 |
| 2011/0273076 | A1 * | 11/2011 | Liang et al. | 313/318.01 |

* cited by examiner

Primary Examiner — Selina Sikder

(74) *Attorney, Agent, or Firm* — Frank Scutch

(57) **CLAIM**

The ornamental design for a G4 back pin light plug, as shown and described.

DESCRIPTION

FIG. 1 is a side perspective view showing the G4 back pin light plug;

FIG. 2 is a front elevational view showing the G4 back pin light plug in accordance with the present invention;

FIG. 3 is a rear elevational view showing the G4 back pin light plug;

FIG. 4 is a side view showing the G4 back pin light plug, with an opposite side elevational view being substantially a mirror image;

FIG. 5 is a top view showing the G4 back pin light plug;

FIG. 6 is a bottom view showing the G4 back pin light plug;

FIG. 7 is a side elevational view showing the G4 back pin light plug, installed into place in the Upper LED Housing;

FIG. 8 is a side exploded elevational view showing how the G4 back pin light plug installs into the Upper LED Housing, with an opposite side exploded elevational view being substantially a mirror image;

FIG. 9 is a rear elevational view showing how the G4 back pin light plug installs into the Upper LED Housing;

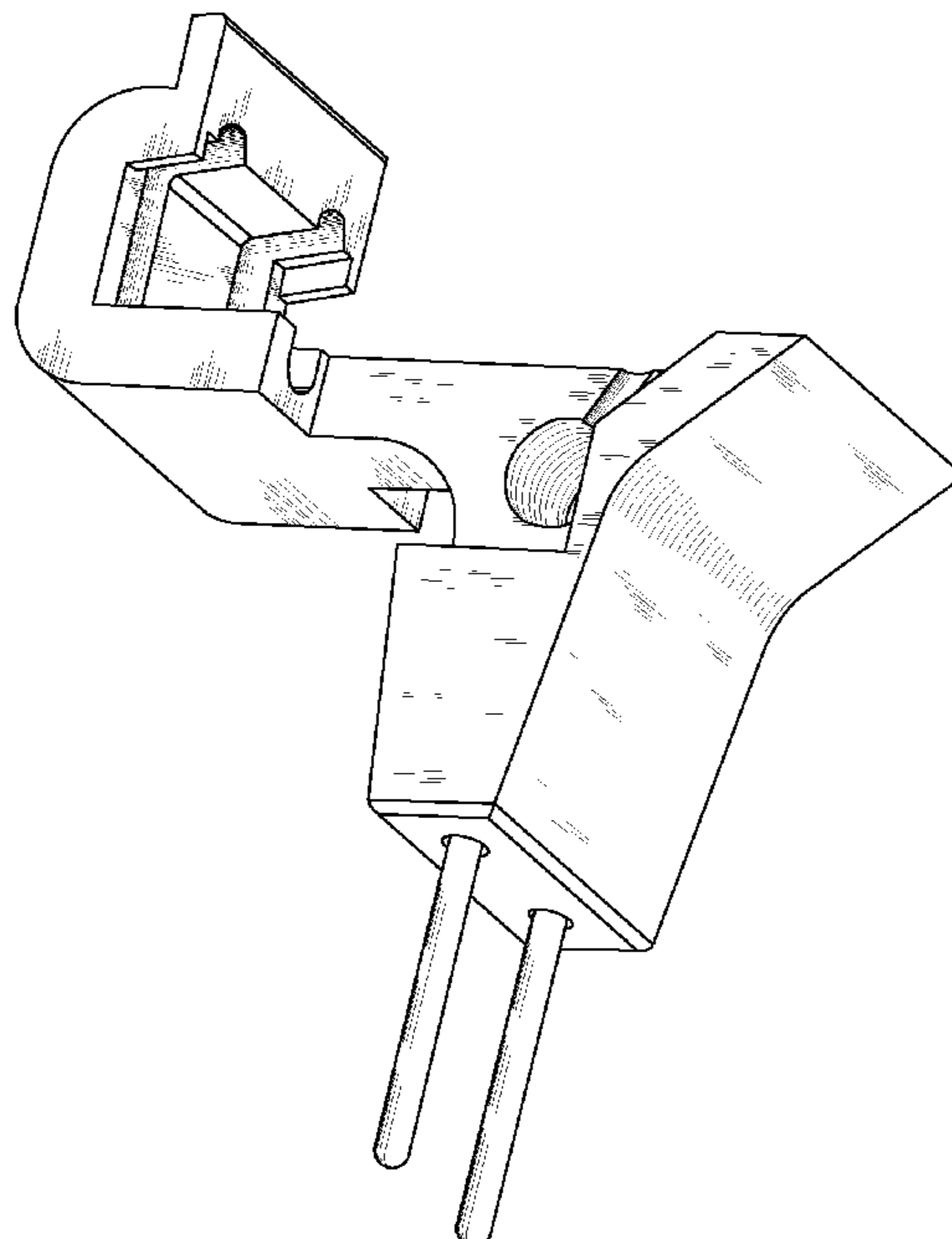
FIG. 10 is a rear exploded elevational view showing how the G4 back pin light plug installs into the Upper LED Housing;

FIG. 11 is a front elevational view showing how the G4 back pin light plug, installs into the Upper LED Housing; and,

FIG. 12 is a front exploded elevational view showing how the G4 back pin light plug installs into the Upper LED Housing.

The broken lines, showing the remainder of the G4 back pin light plug, are for illustrative purposes only, and form no part of the claimed design.

1 Claim, 8 Drawing Sheets



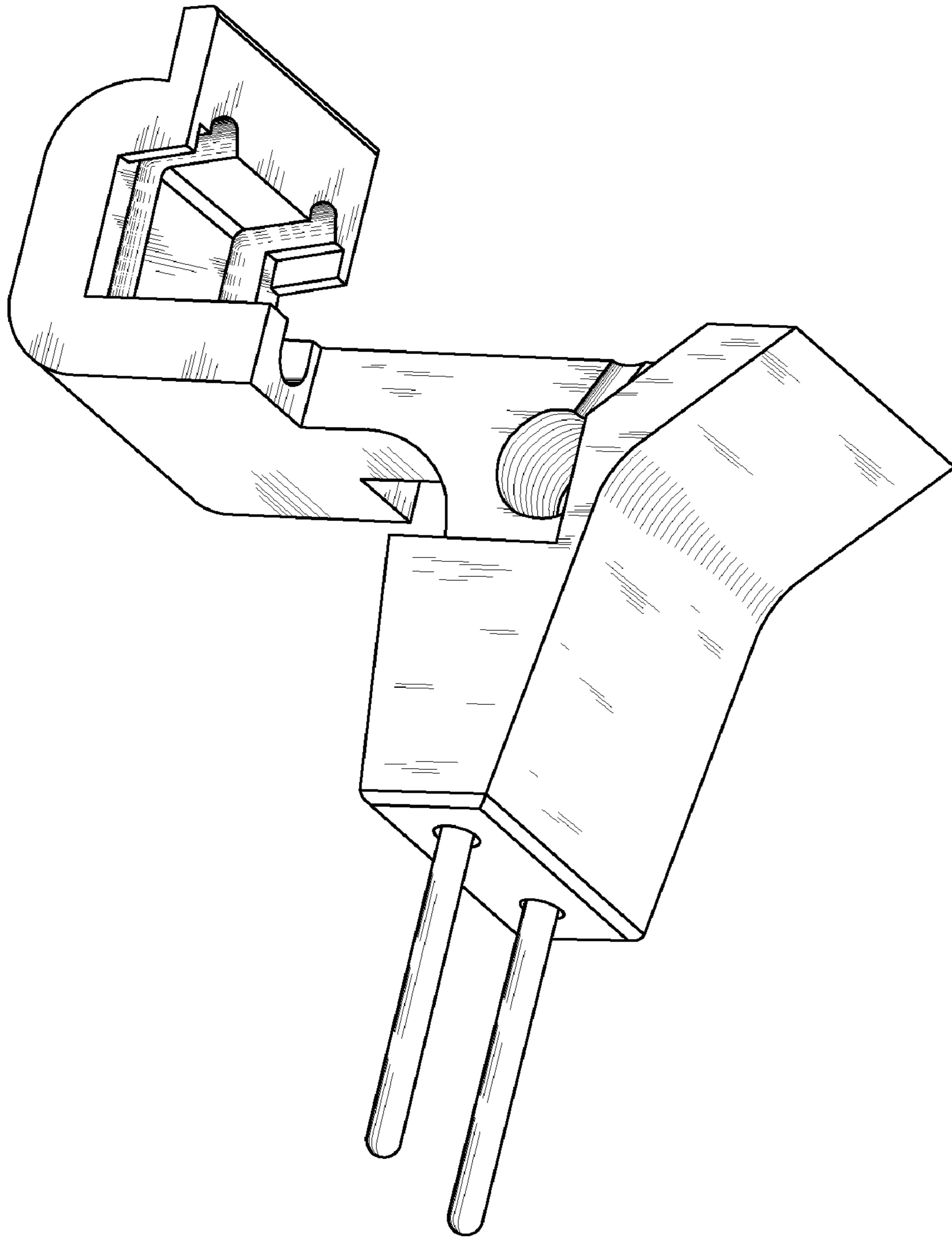


FIG. 1

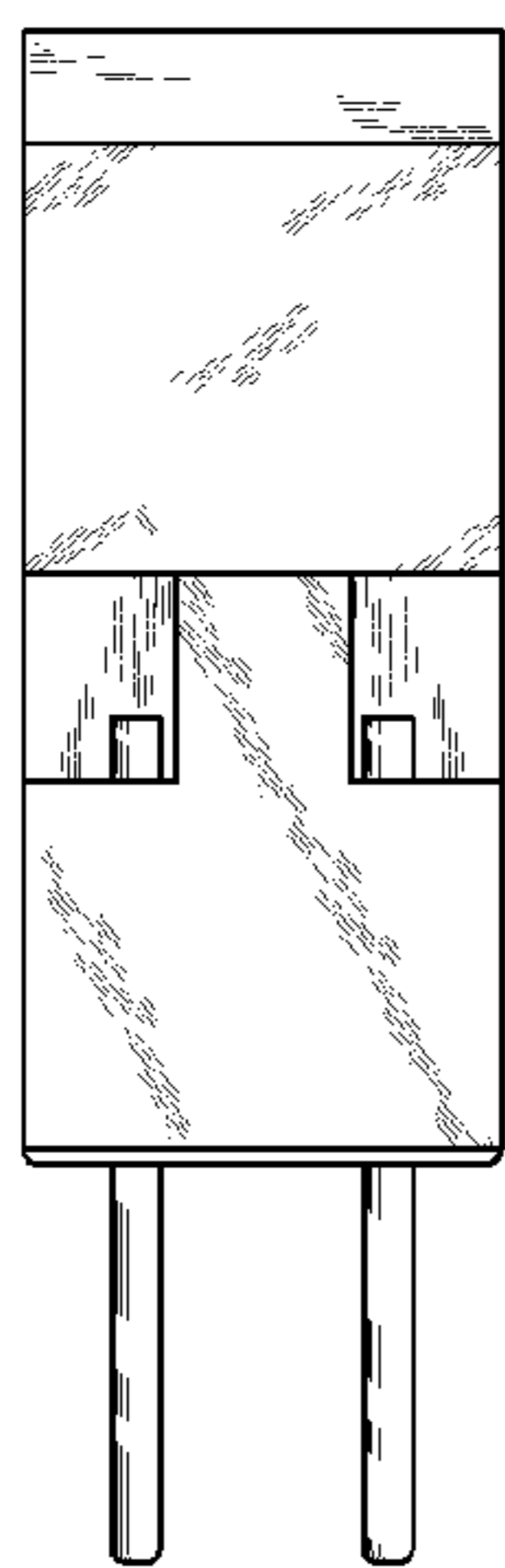


FIG. 2

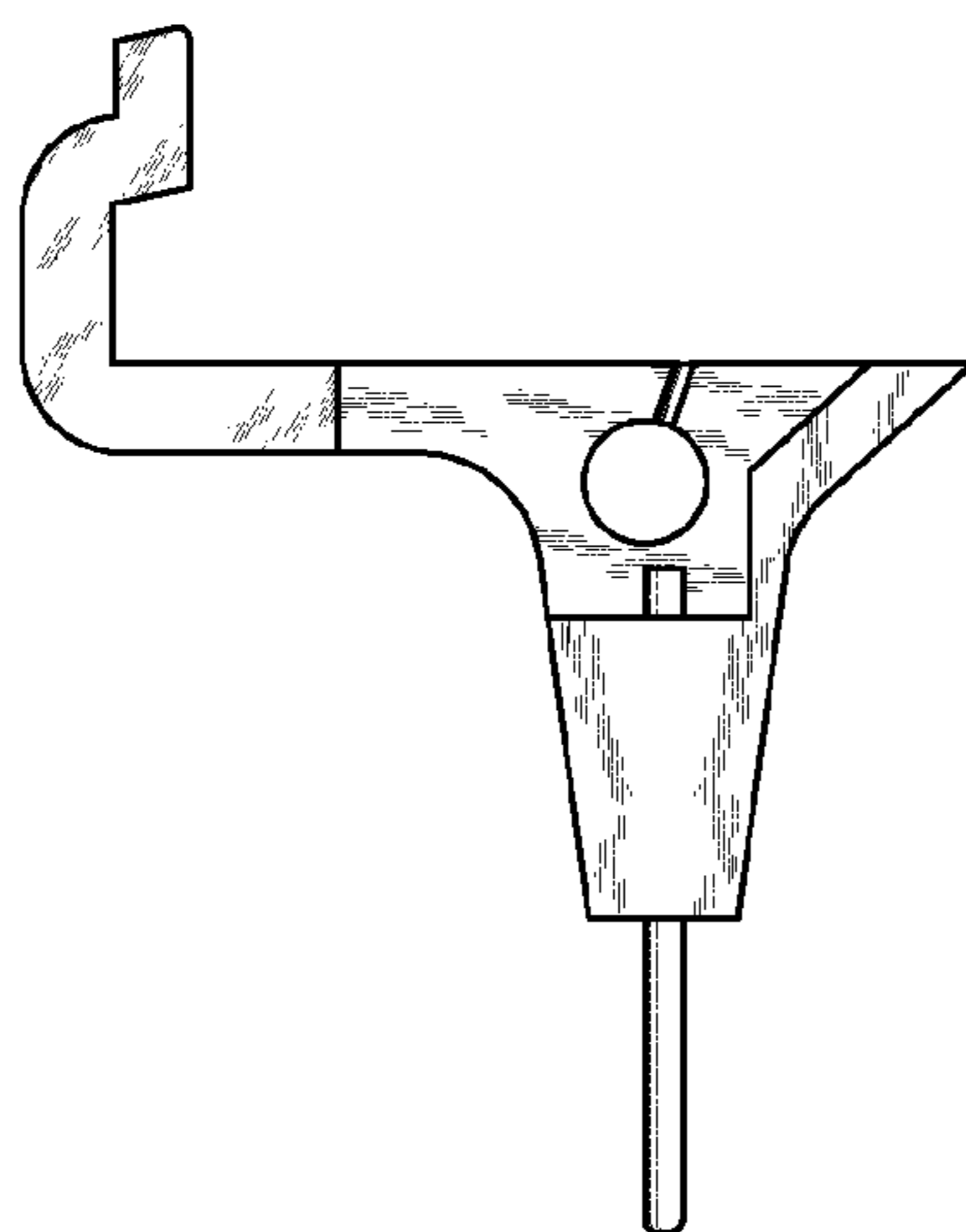


FIG. 4

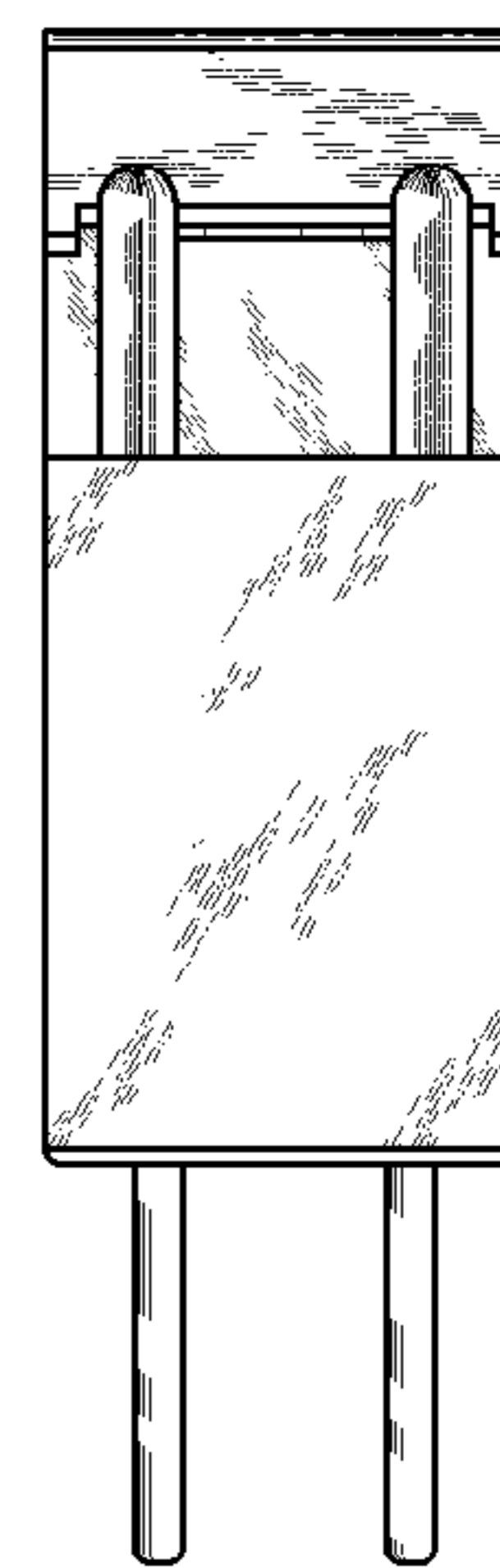


FIG. 3

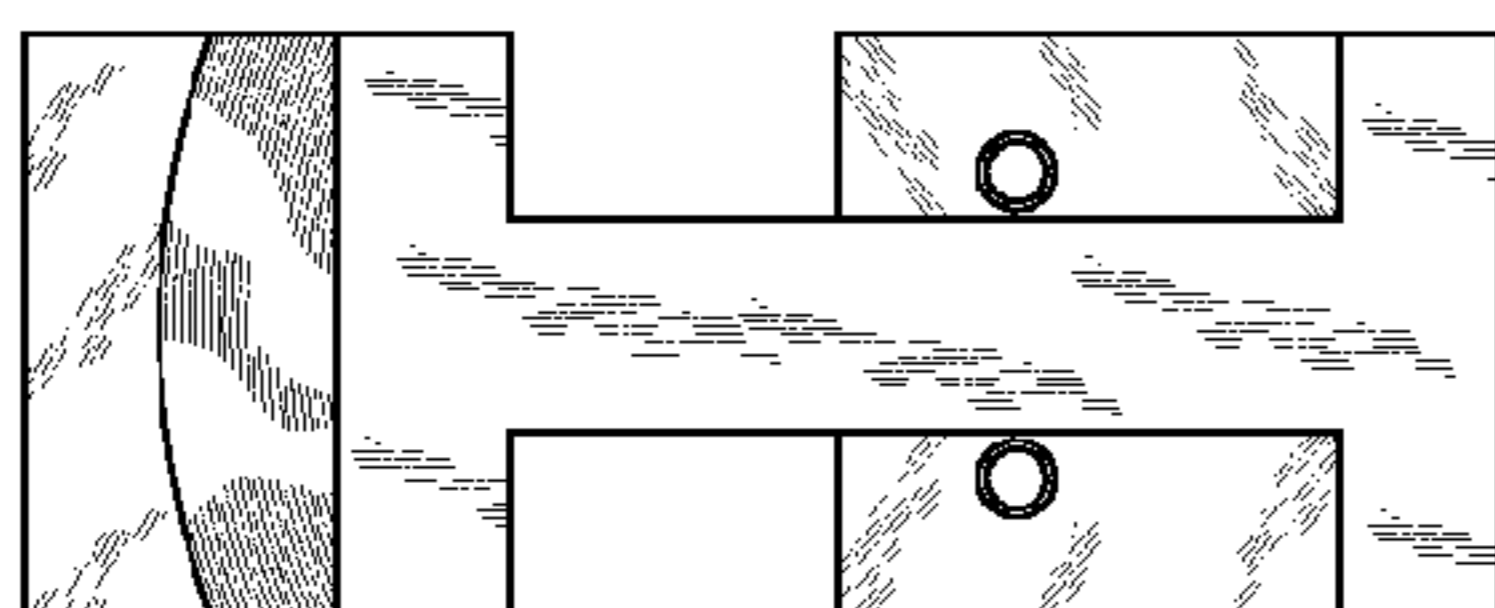


FIG. 5

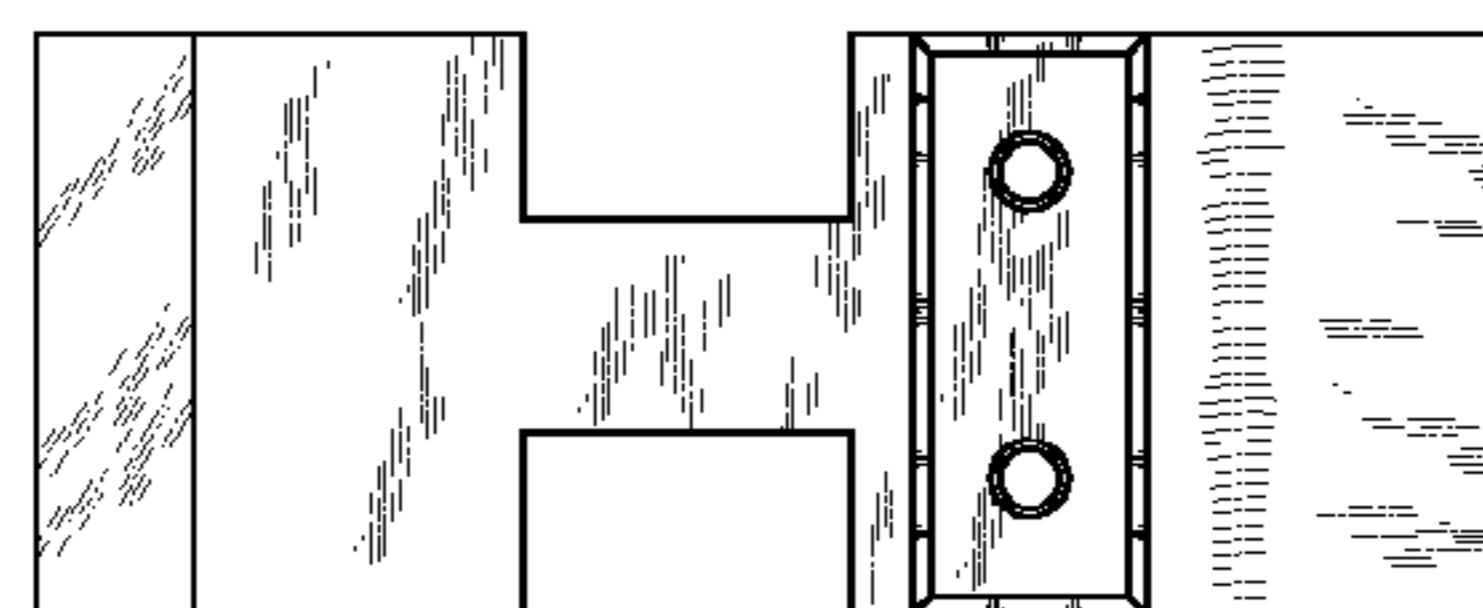


FIG. 6

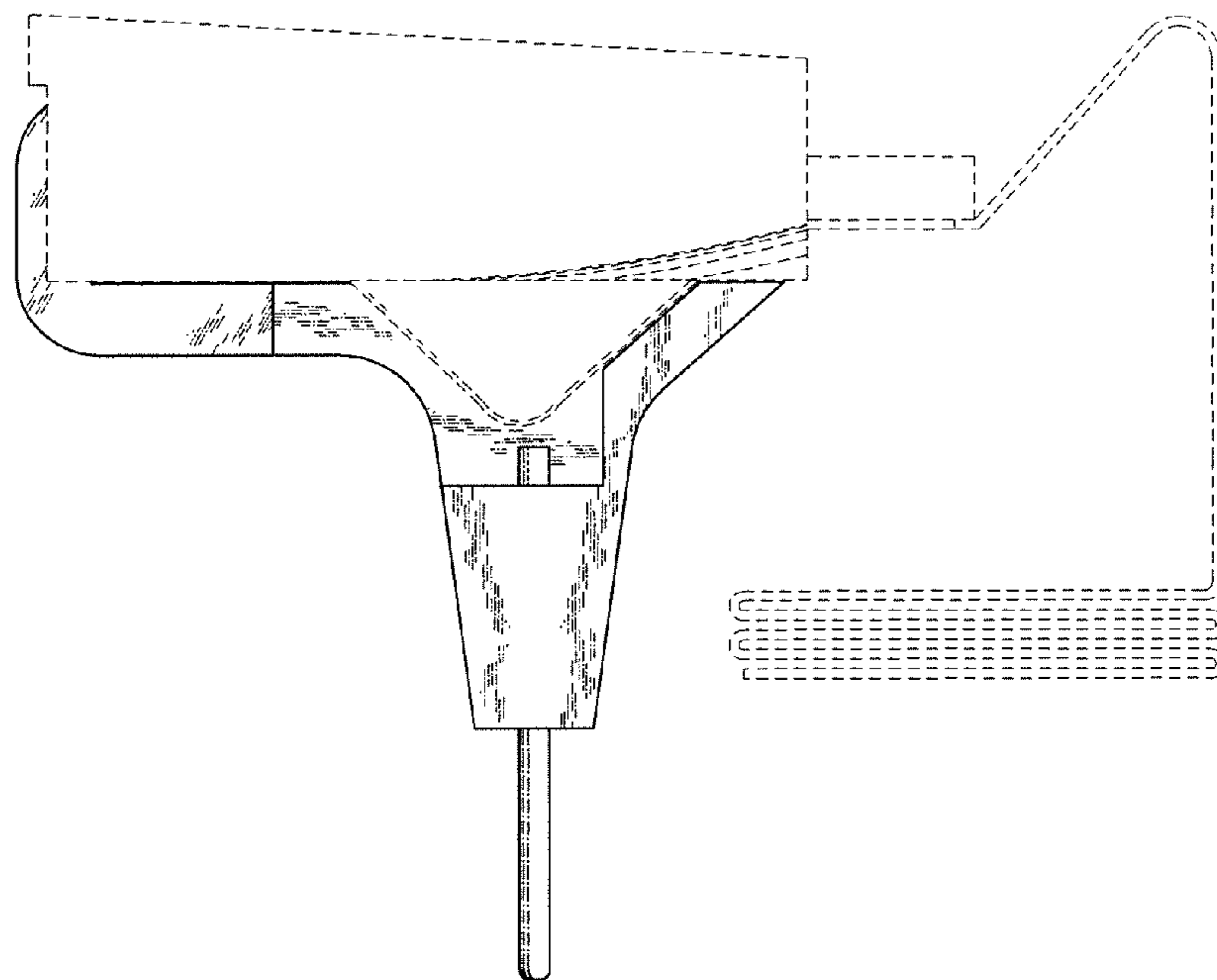


FIG. 7

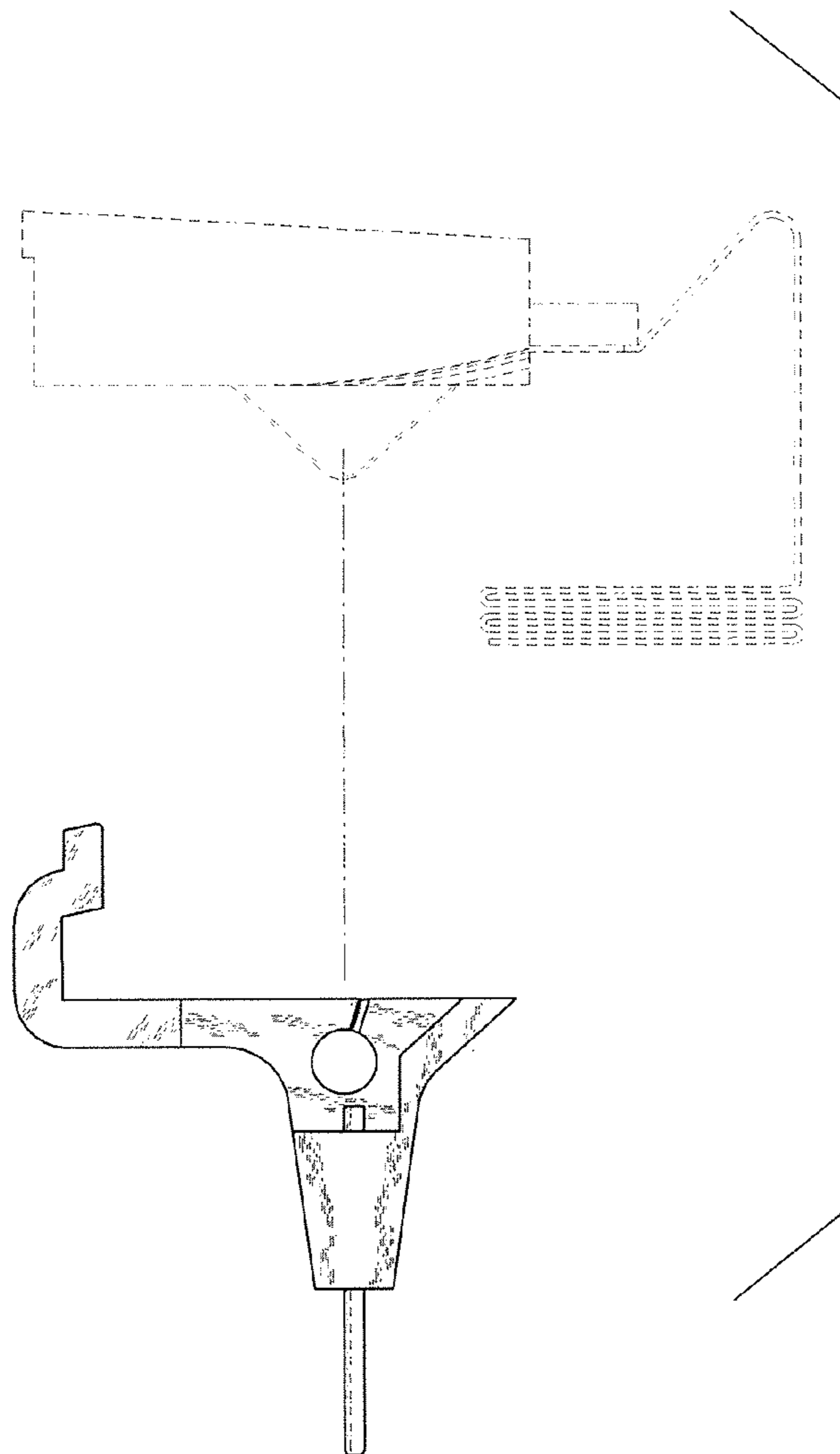


FIG. 8

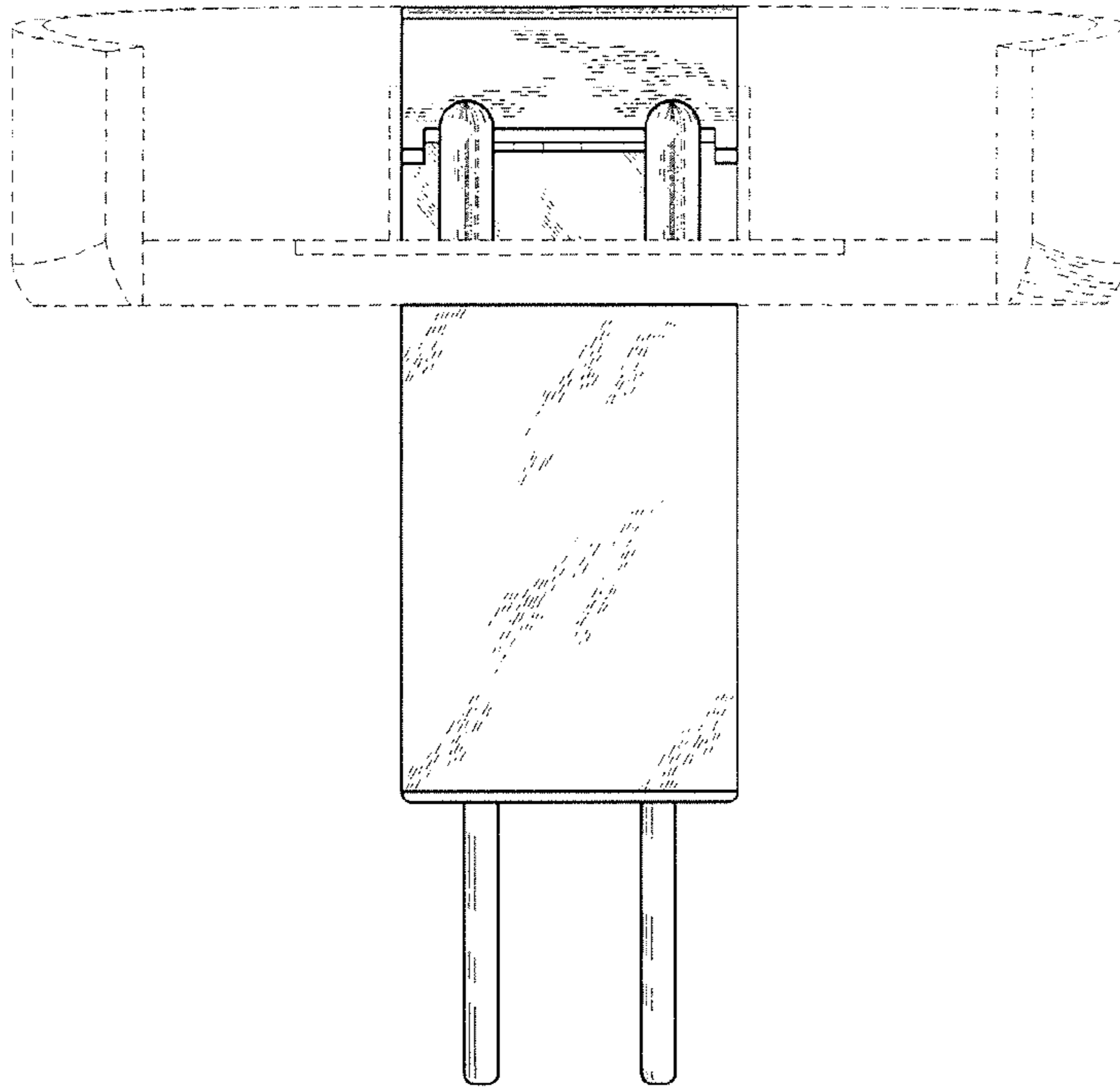


FIG. 9

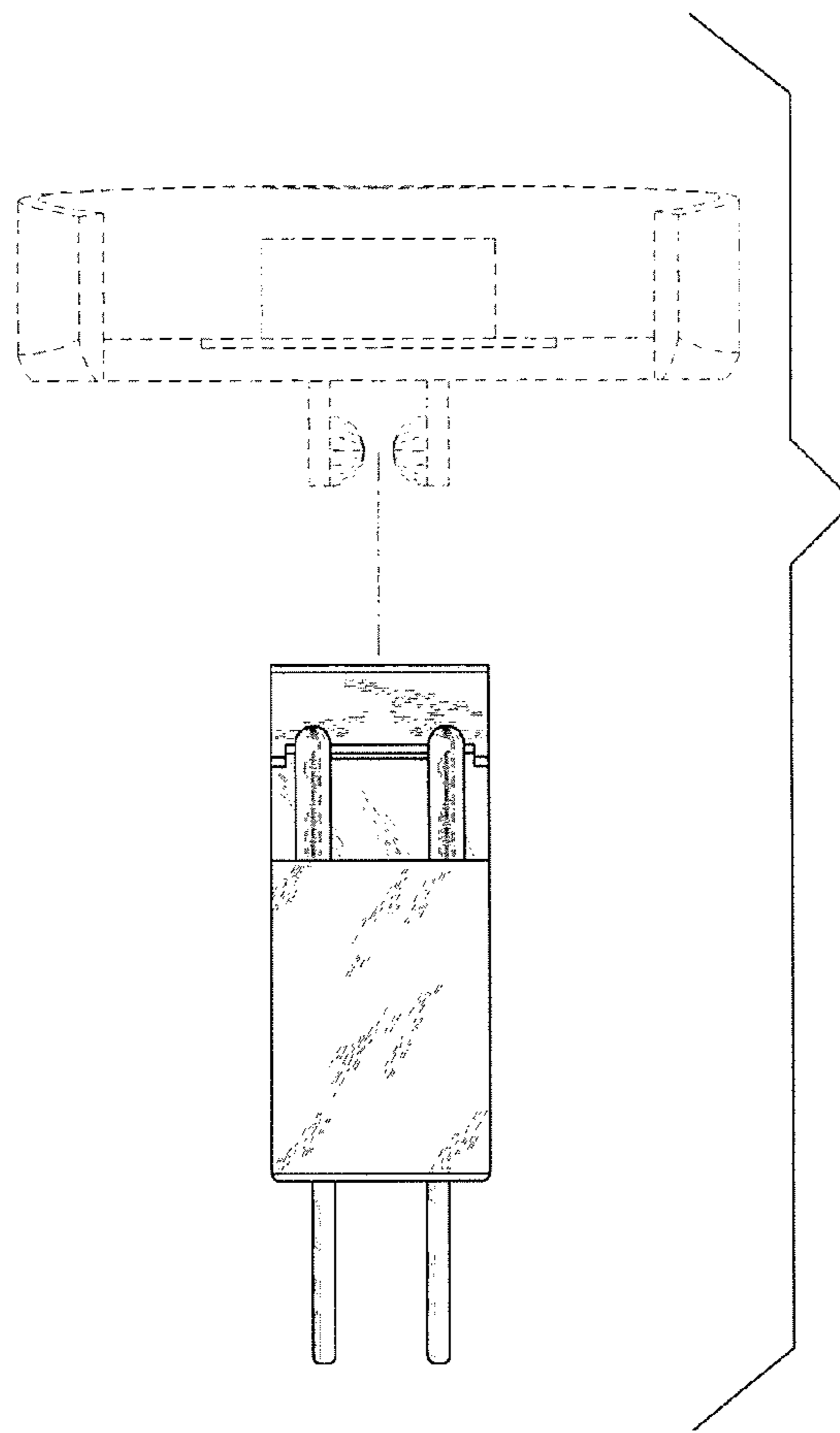


FIG. 10

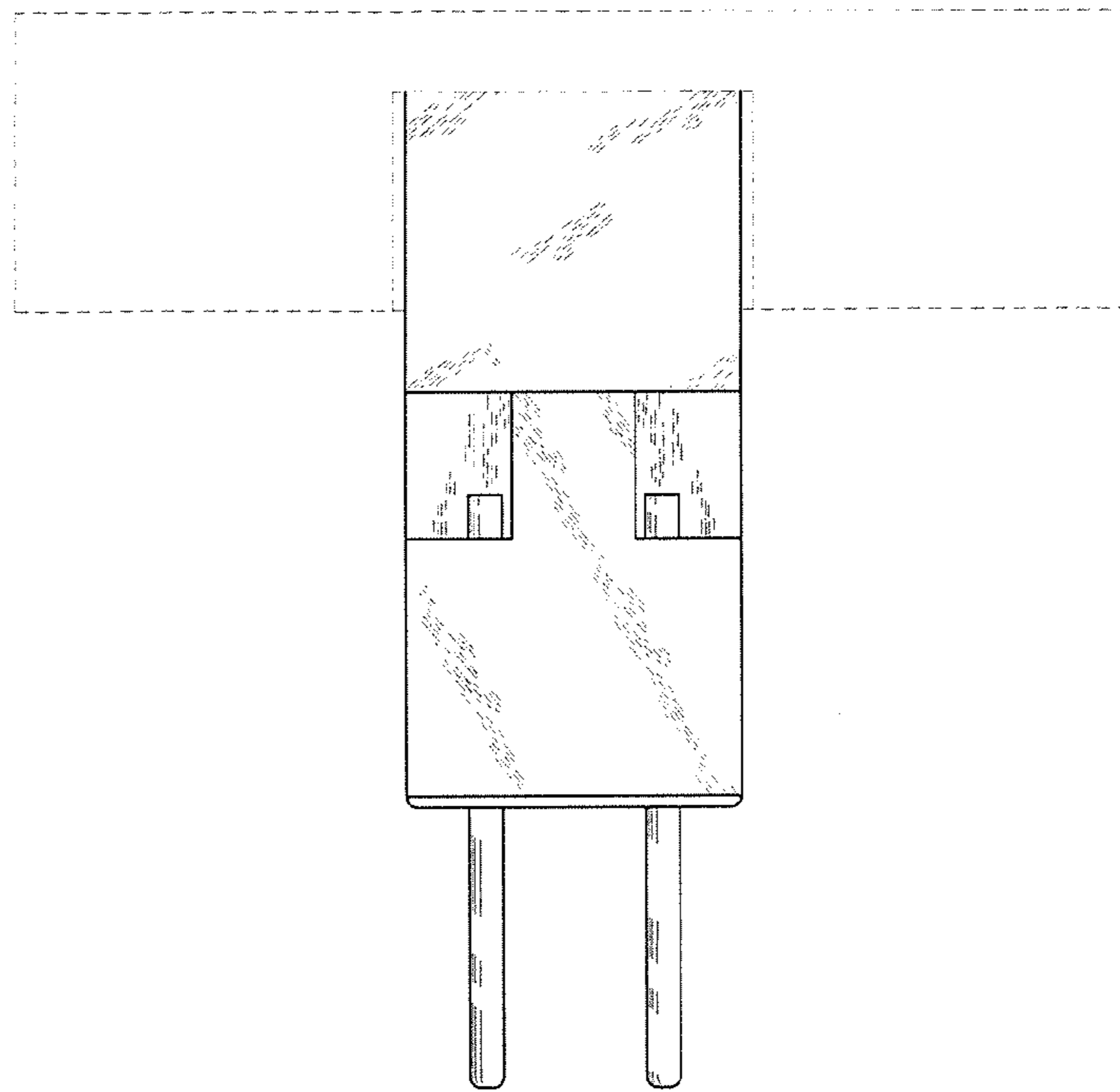


FIG. 11

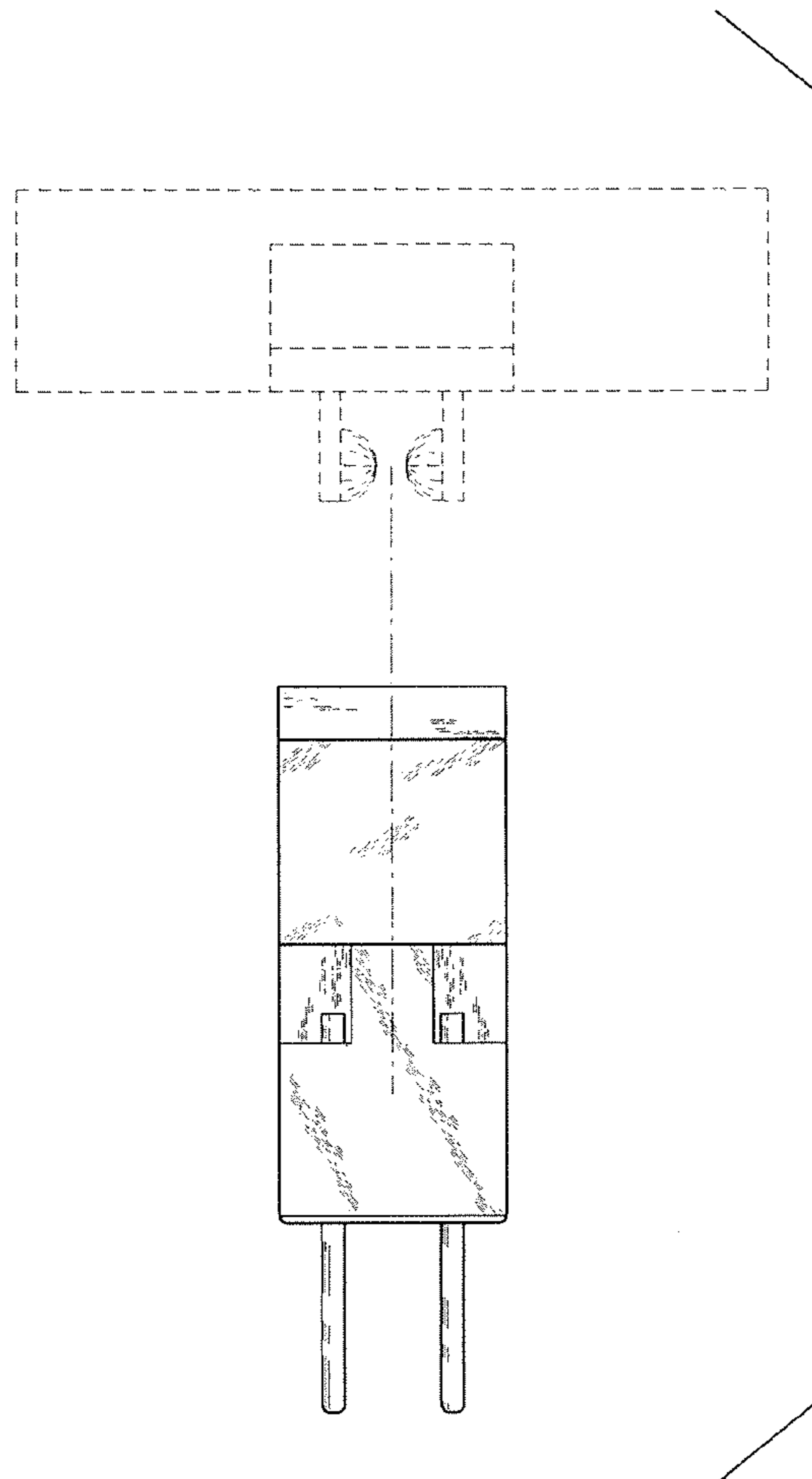


FIG. 12