



US00D659653S

(12) **United States Design Patent**
Lin

(10) **Patent No.:** **US D659,653 S**
(45) **Date of Patent:** **** May 15, 2012**

(54) **CONTROL PANEL FOR POWER SUPPLY (II)**

(75) Inventor: **Mu-Chun Lin**, Taichung (TW)

(73) Assignee: **Chyng Hong Electronic Co.**, Taichung (TW)

(**) Term: **14 Years**

(21) Appl. No.: **29/393,491**

(22) Filed: **Jun. 6, 2011**

(51) **LOC (9) Cl.** **13-03**

(52) **U.S. Cl.** **D13/177**

(58) **Field of Classification Search** D13/162,
D13/177; D14/257; 174/66, 67; 200/5 R,
200/5 A, 5 E, 293, 296, 302.2, 339; 220/241;
439/489, 540.1

See application file for complete search history.

(56) **References Cited**

U.S. PATENT DOCUMENTS

D225,469 S *	12/1972	Gray	D24/164
D285,066 S *	8/1986	Liss et al.	D13/177
D287,243 S *	12/1986	Tope	D13/164
D337,754 S *	7/1993	Peterson et al.	D13/164
D357,461 S *	4/1995	Zaplatynsky et al.	D13/177
D358,106 S *	5/1995	Zaplatynsky et al.	D10/103

D382,880 S *	8/1997	Cienkus et al.	D14/240
D424,526 S *	5/2000	Yang	D13/177
D619,108 S *	7/2010	Lin	D13/177

* cited by examiner

Primary Examiner — Selina Sikder

(74) *Attorney, Agent, or Firm* — Ming Chow; Sinorica, LLC

(57) **CLAIM**

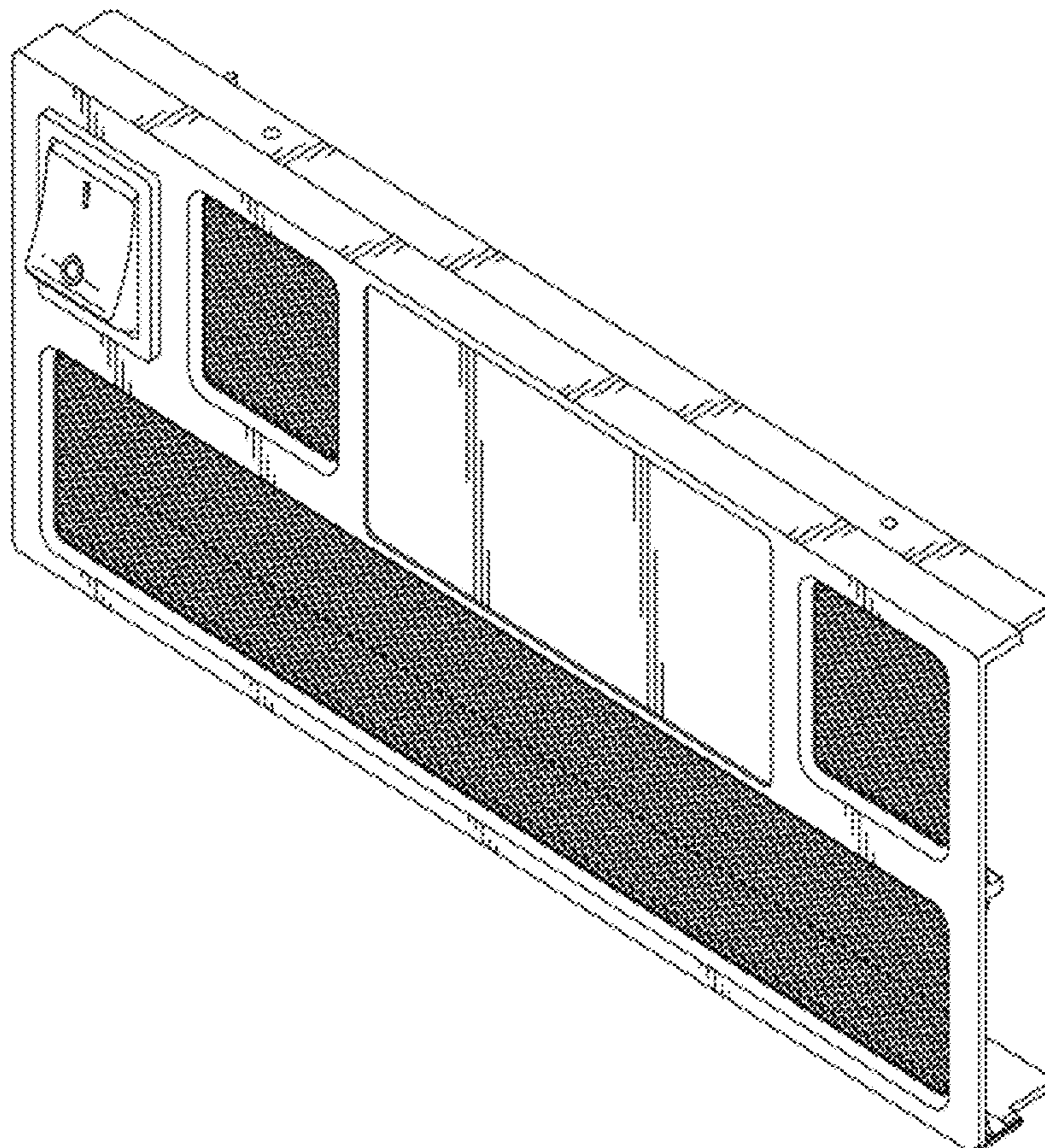
I claim the ornamental design for a control panel for power supply (II), as shown and described.

DESCRIPTION

FIG. 1 is a front perspective view of a control panel for power supply (II) showing my new design;
FIG. 2 is a front elevational view thereof;
FIG. 3 is a rear elevational view thereof;
FIG. 4 is a left side elevational view thereof;
FIG. 5 is a right side elevational view thereof;
FIG. 6 is a top plan view thereof;
FIG. 7 is a bottom plan view thereof; and,
FIG. 8 is a front end view of the control panel for power supply (II) in accordance with my design, shown in its environment thereof.

The broken lines are for the purpose of illustrating environmental structure and form no part of the claimed design.

1 Claim, 6 Drawing Sheets



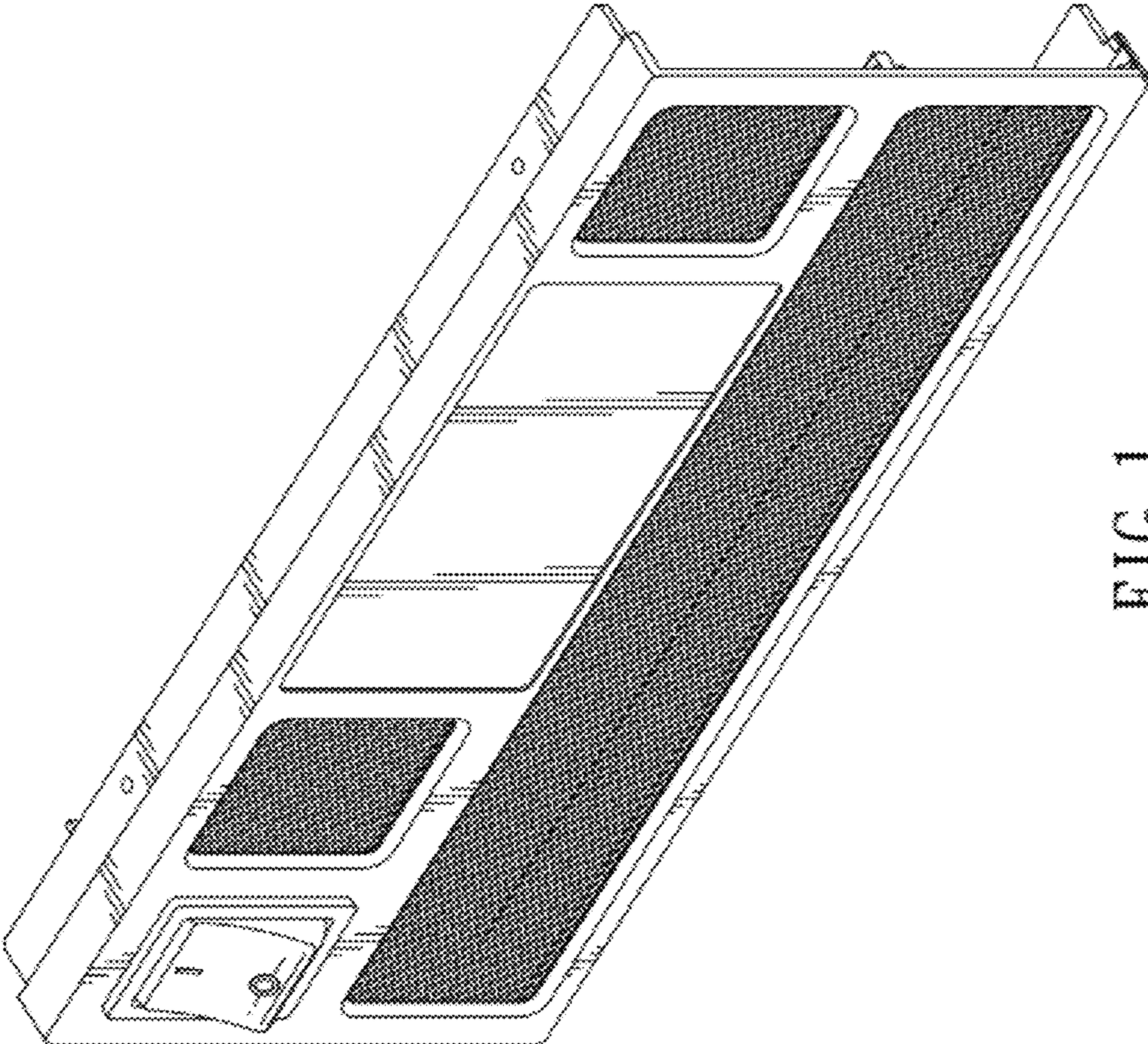


FIG. 1

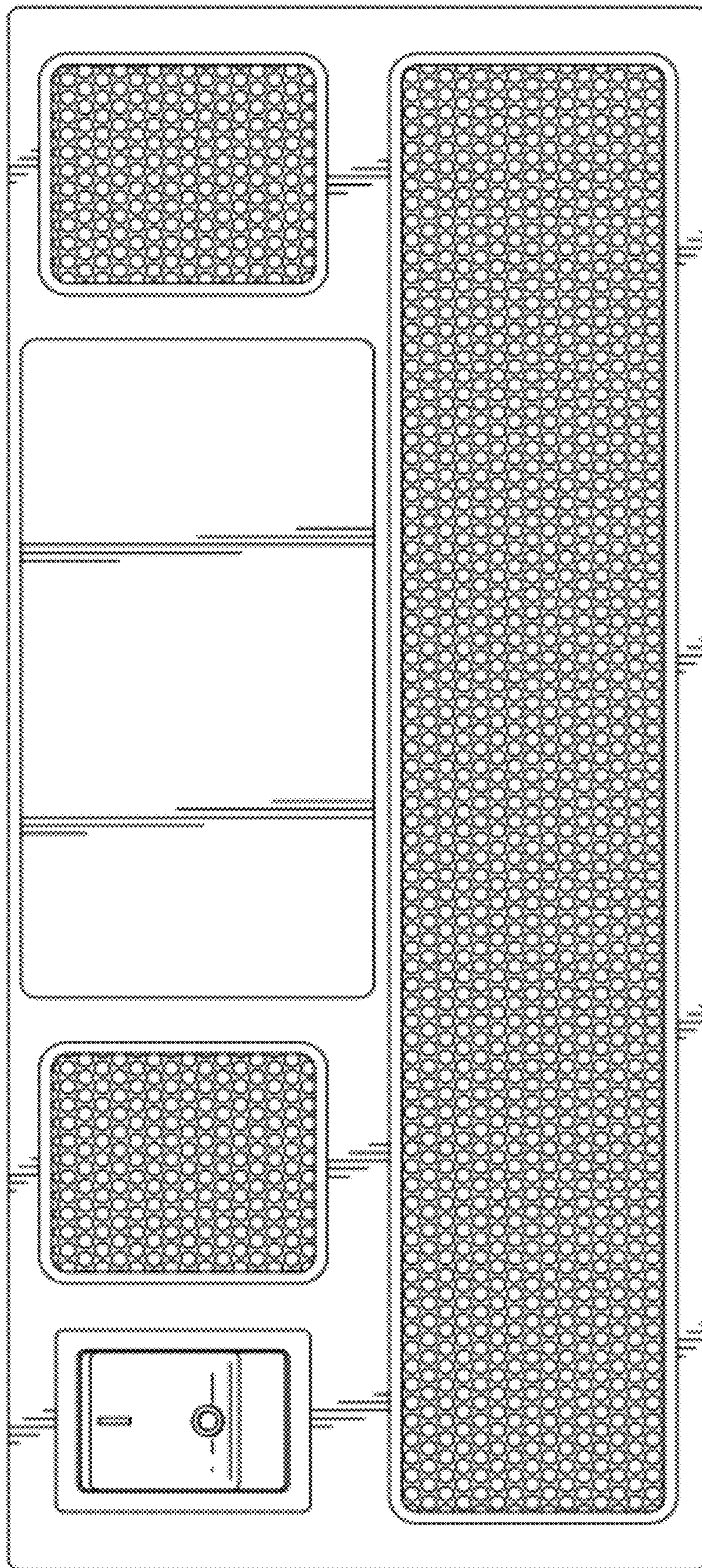


FIG. 2

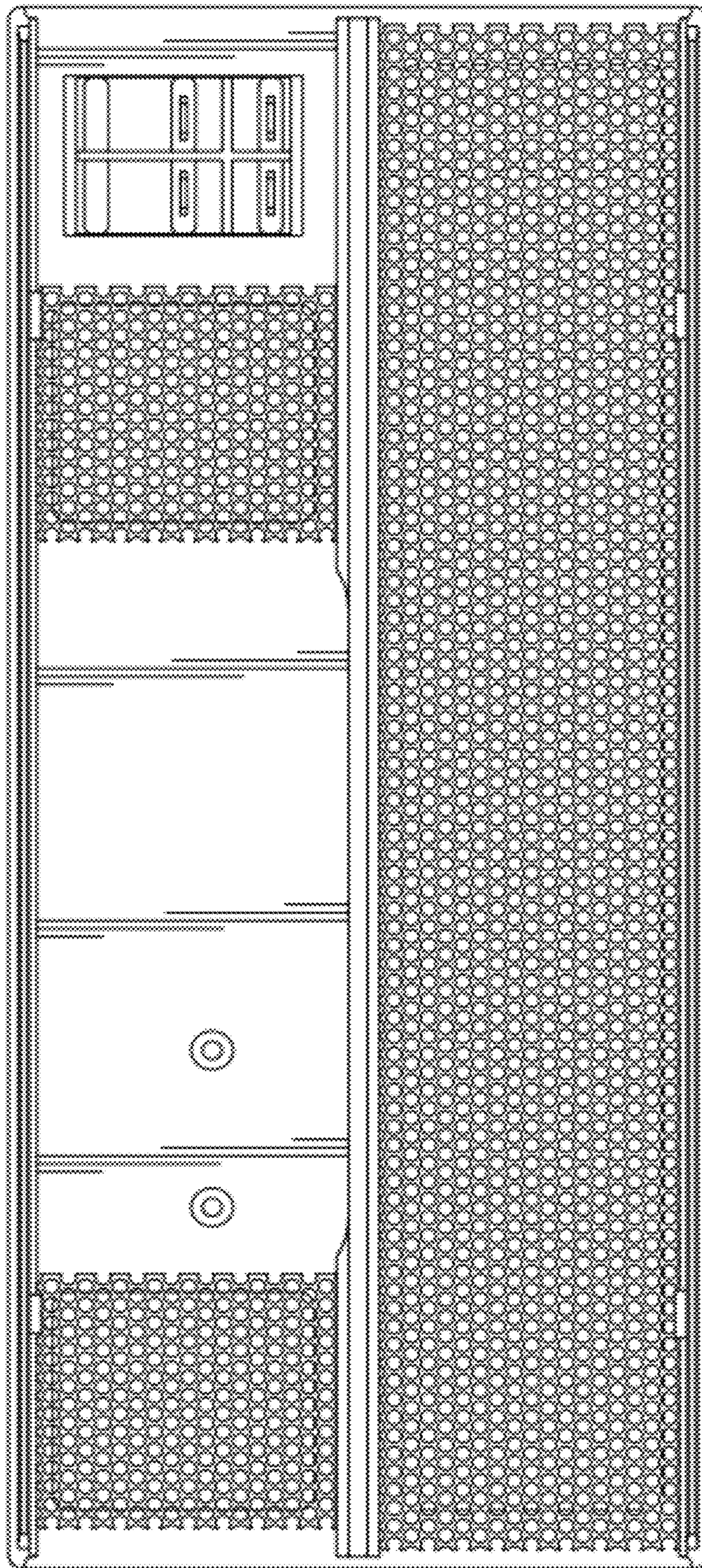


FIG. 3

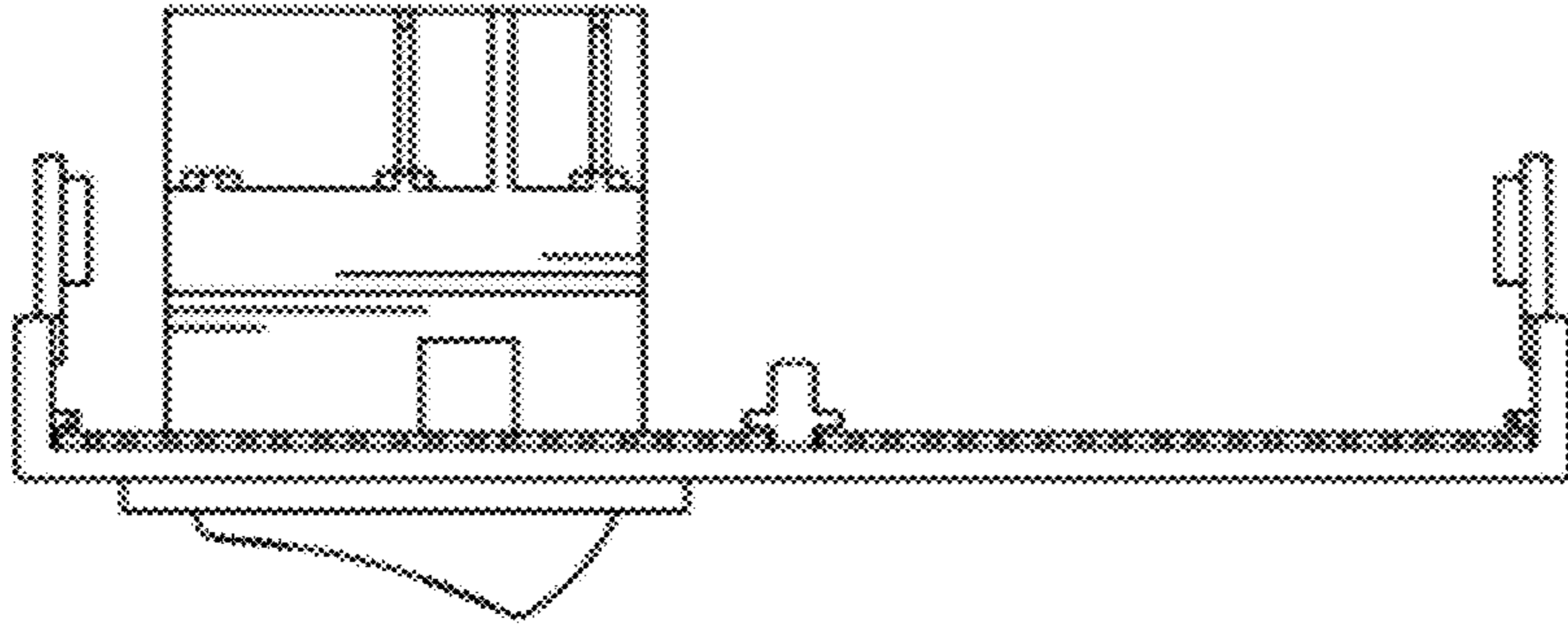


FIG. 5

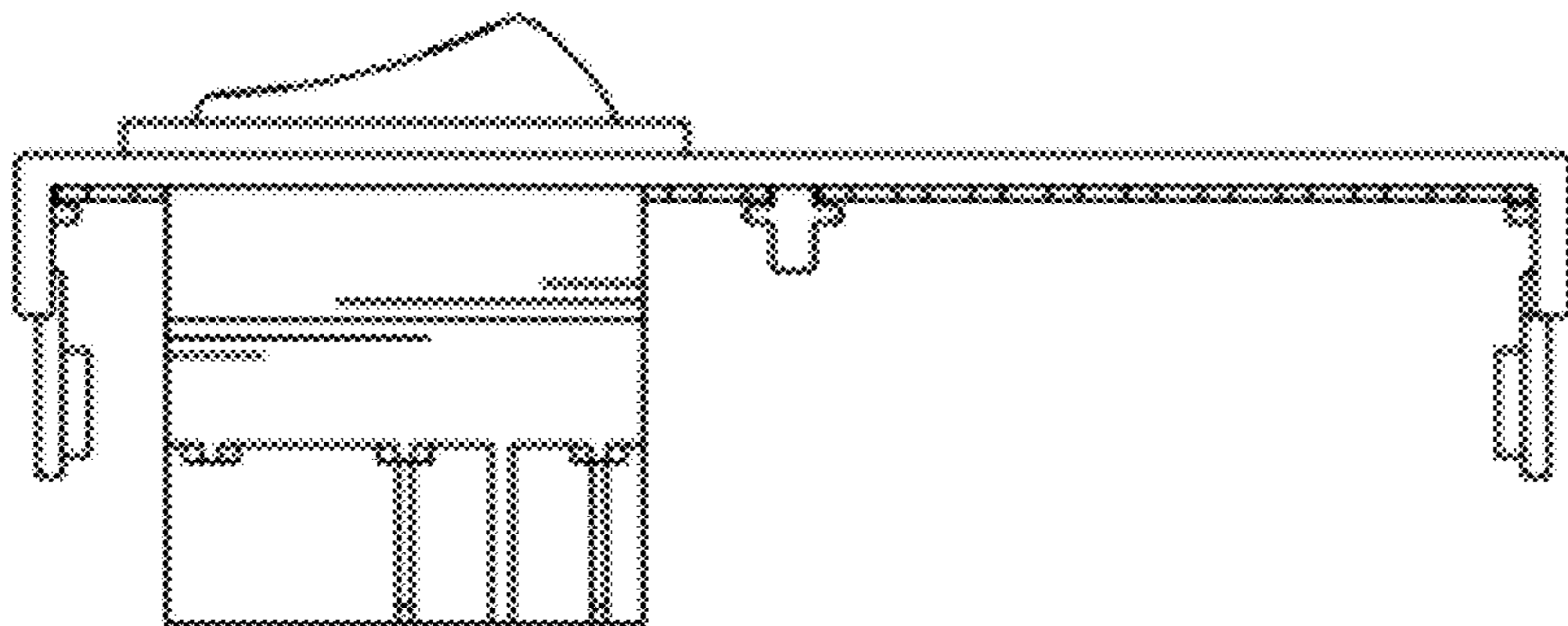


FIG. 4

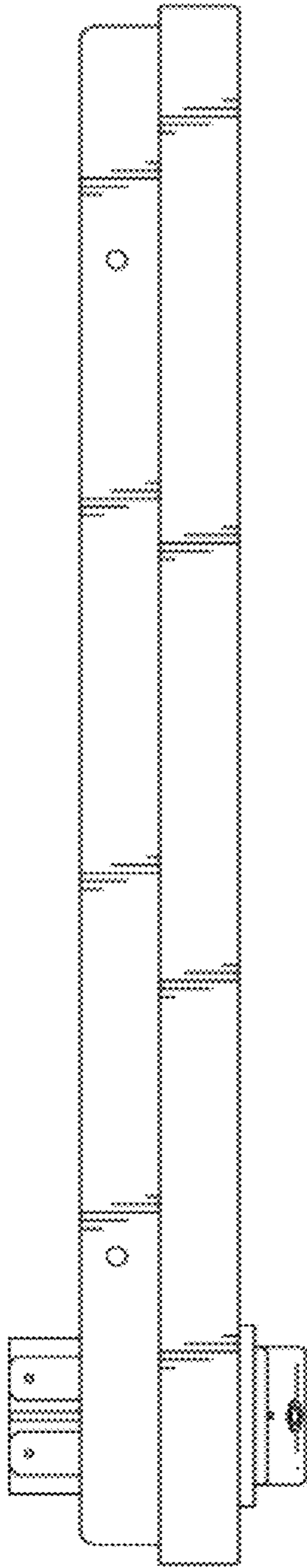


FIG. 6

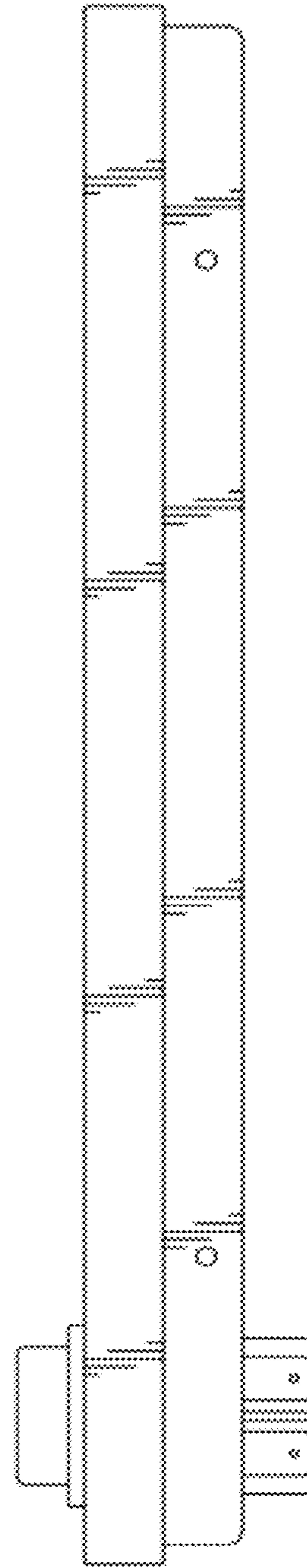


FIG. 7

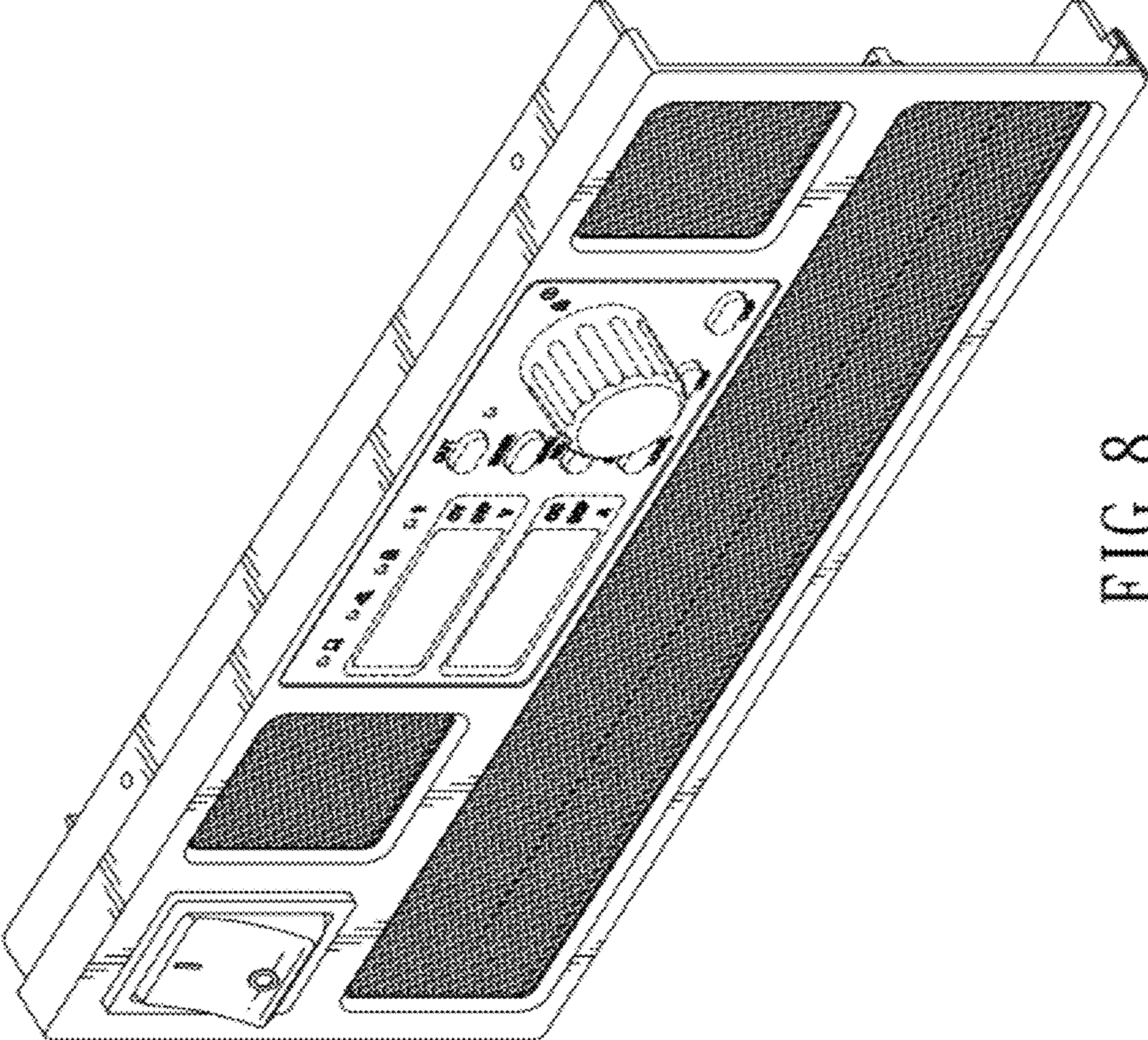


FIG. 8