



US00D659649S

(12) **United States Design Patent**
Montena et al.

(10) **Patent No.:** **US D659,649 S**
(45) **Date of Patent:** **** May 15, 2012**

(54) **WEATHER PROOFING SYSTEM FOR
COAXIAL CABLE CONNECTORS**

(75) Inventors: **Noah Montena**, Syracuse, NY (US);
Christopher P. Natoli, Fulton, NY (US)

(73) Assignee: **John Mezzalingua Associates, Inc.**,
East Syracuse, NY (US)

(**) Term: **14 Years**

(21) Appl. No.: **29/394,814**

(22) Filed: **Jun. 21, 2011**

(51) **LOC (9) Cl.** **13-03**

(52) **U.S. Cl.** **D13/156**

(58) **Field of Classification Search** D13/133,
D13/154, 156, 184, 199; 439/271, 275, 277,
439/278, 279, 281, 283, 445, 447, 578, 583,
439/584, 927

See application file for complete search history.

(56) **References Cited**

U.S. PATENT DOCUMENTS

D206,662 S *	1/1967	Karol	D13/156
3,518,600 A *	6/1970	Angelo	337/201
D331,567 S *	12/1992	Braga et al.	D13/156
D407,378 S *	3/1999	Lee	D13/156
D456,363 S *	4/2002	Lee	D13/154

D631,848 S *	2/2011	Montena et al.	D13/154
D642,988 S *	8/2011	Montena et al.	D13/156
D643,372 S *	8/2011	Montena et al.	D13/156
D646,228 S *	10/2011	Montena et al.	D13/156
2006/0240709 A1 *	10/2006	Montena et al.	439/578

* cited by examiner

Primary Examiner — Daniel Bui

(74) *Attorney, Agent, or Firm* — Stephen R. Yoder, Esq.

(57) **CLAIM**

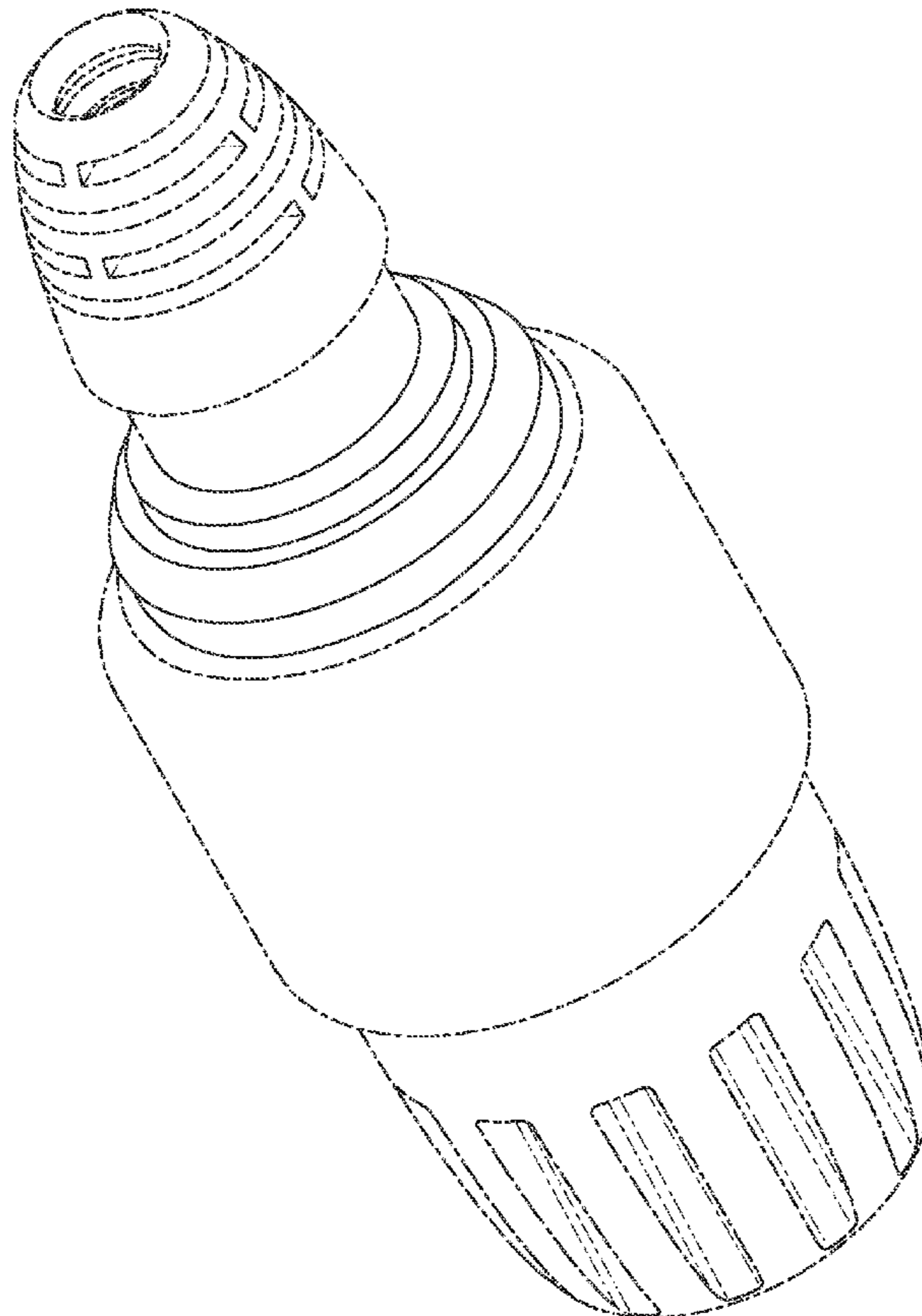
The ornamental design for a weather proofing system for coaxial cable connectors, as shown and described.

DESCRIPTION

FIG. 1 is a front perspective view of a weather proofing system for coaxial cable connectors showing our new design; FIG. 2 is a top plan view thereof, the claimed portion of which is a mirror image to the bottom plan view thereof; FIG. 3 is a right side elevation view thereof, the claimed portion of which is a mirror image of the left side elevation view thereof; FIG. 4 is a front elevation view thereof; and, FIG. 5 is a back view thereof.

The broken line portion of the figure drawings is included for the purpose of illustrating environment and forms no part of the claimed design.

1 Claim, 3 Drawing Sheets



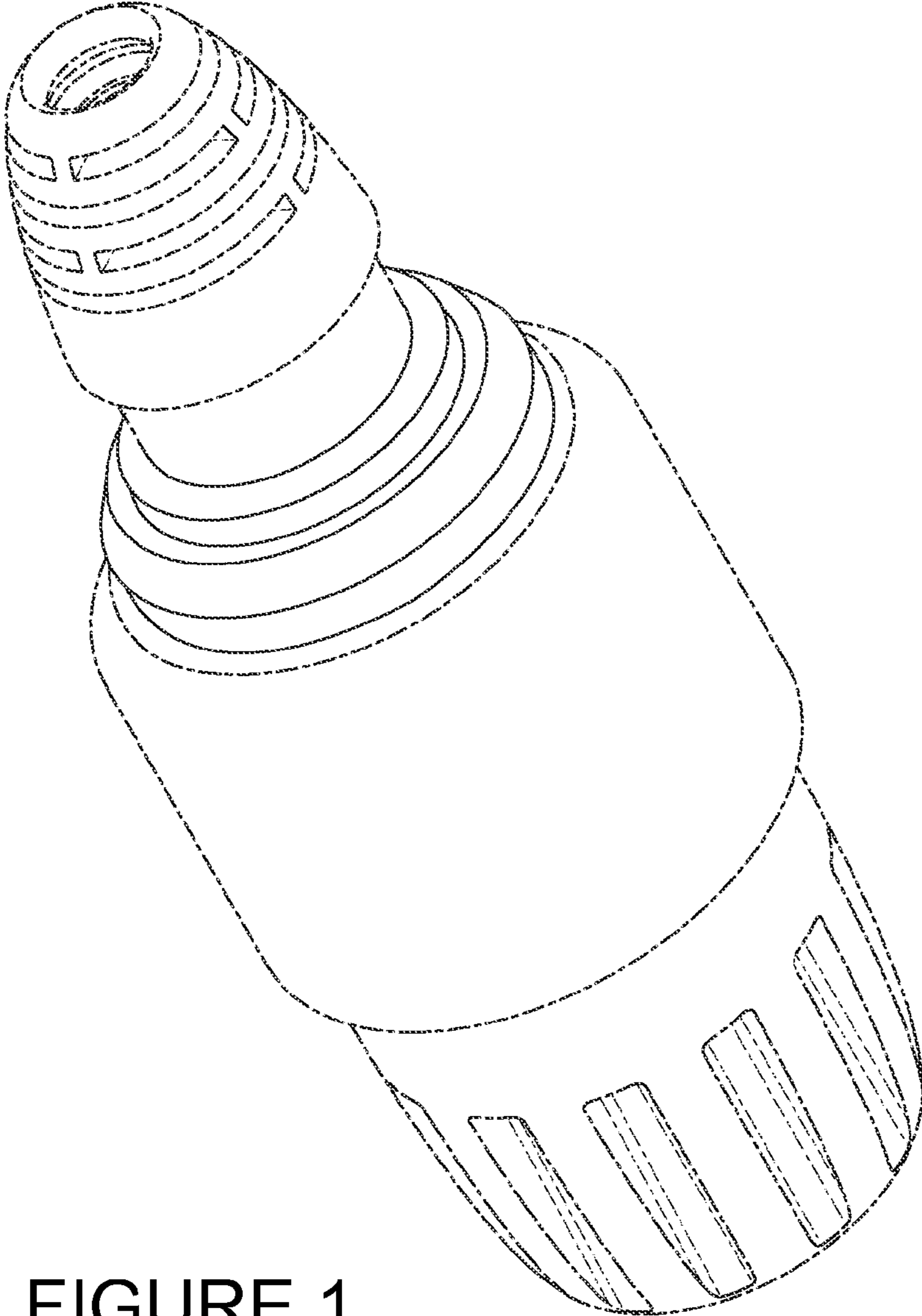


FIGURE 1

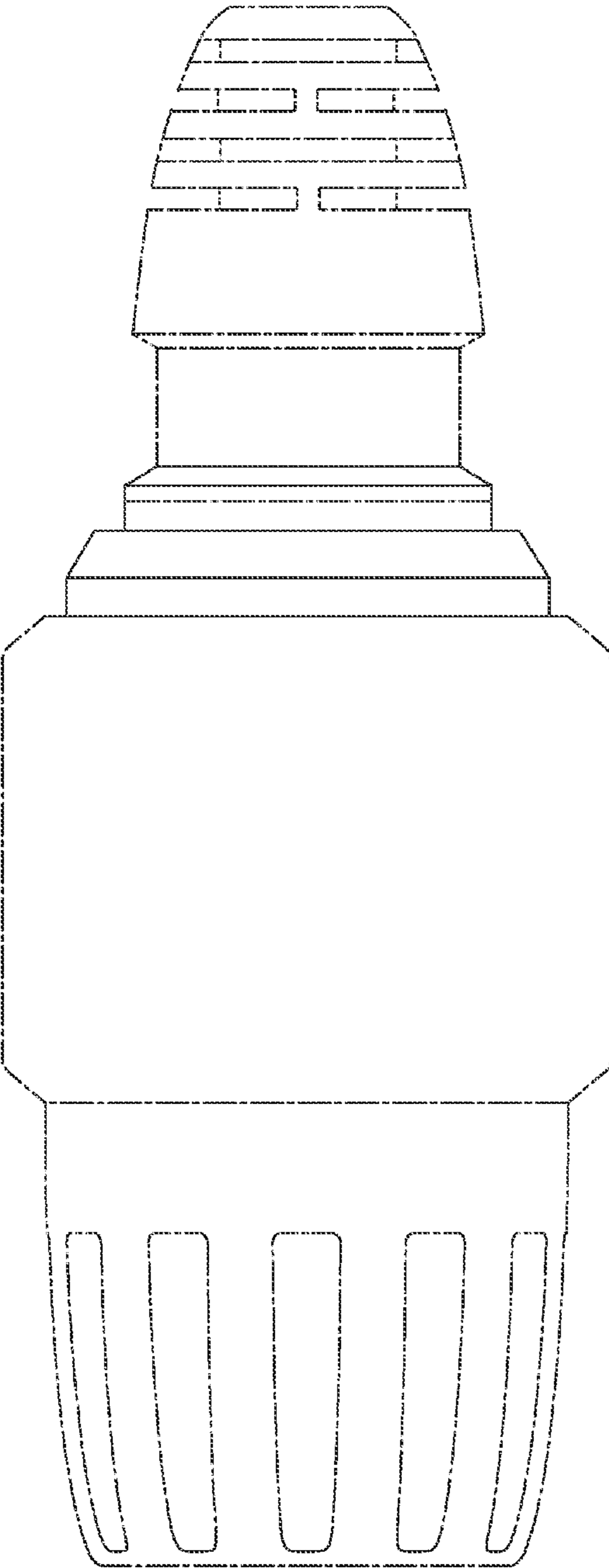


FIGURE 2

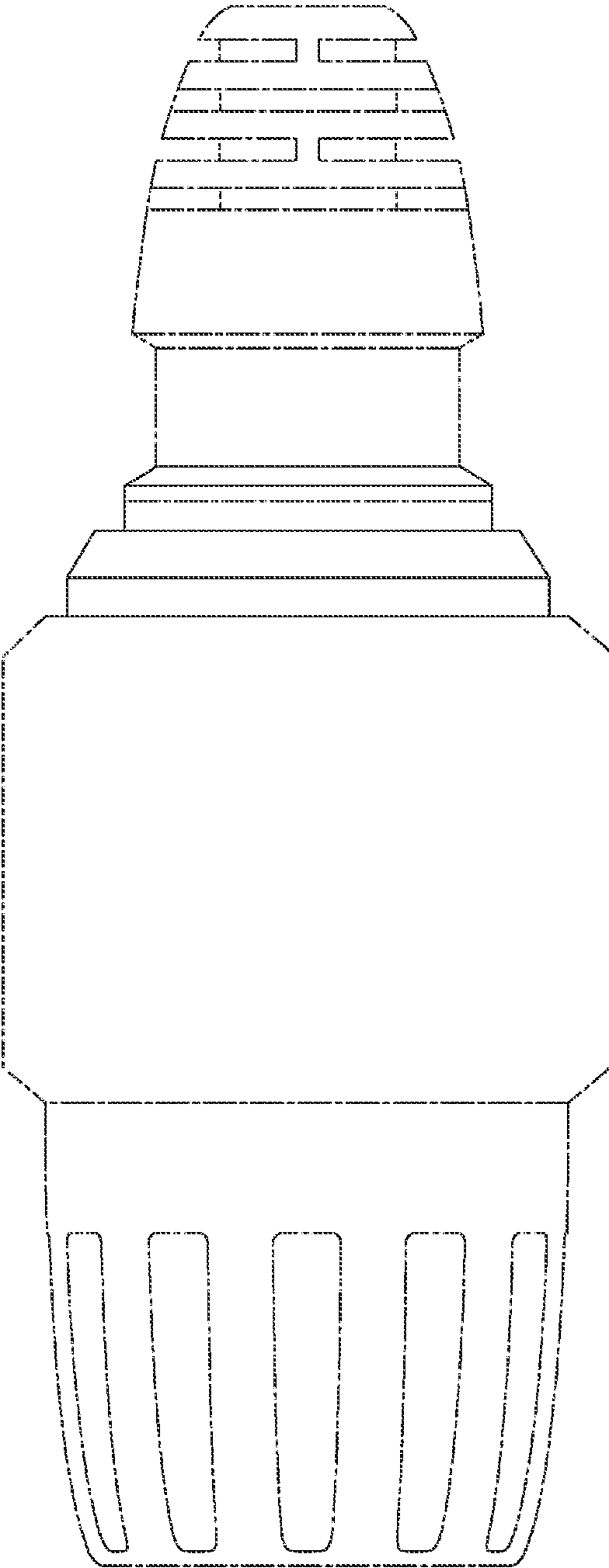


FIGURE 3

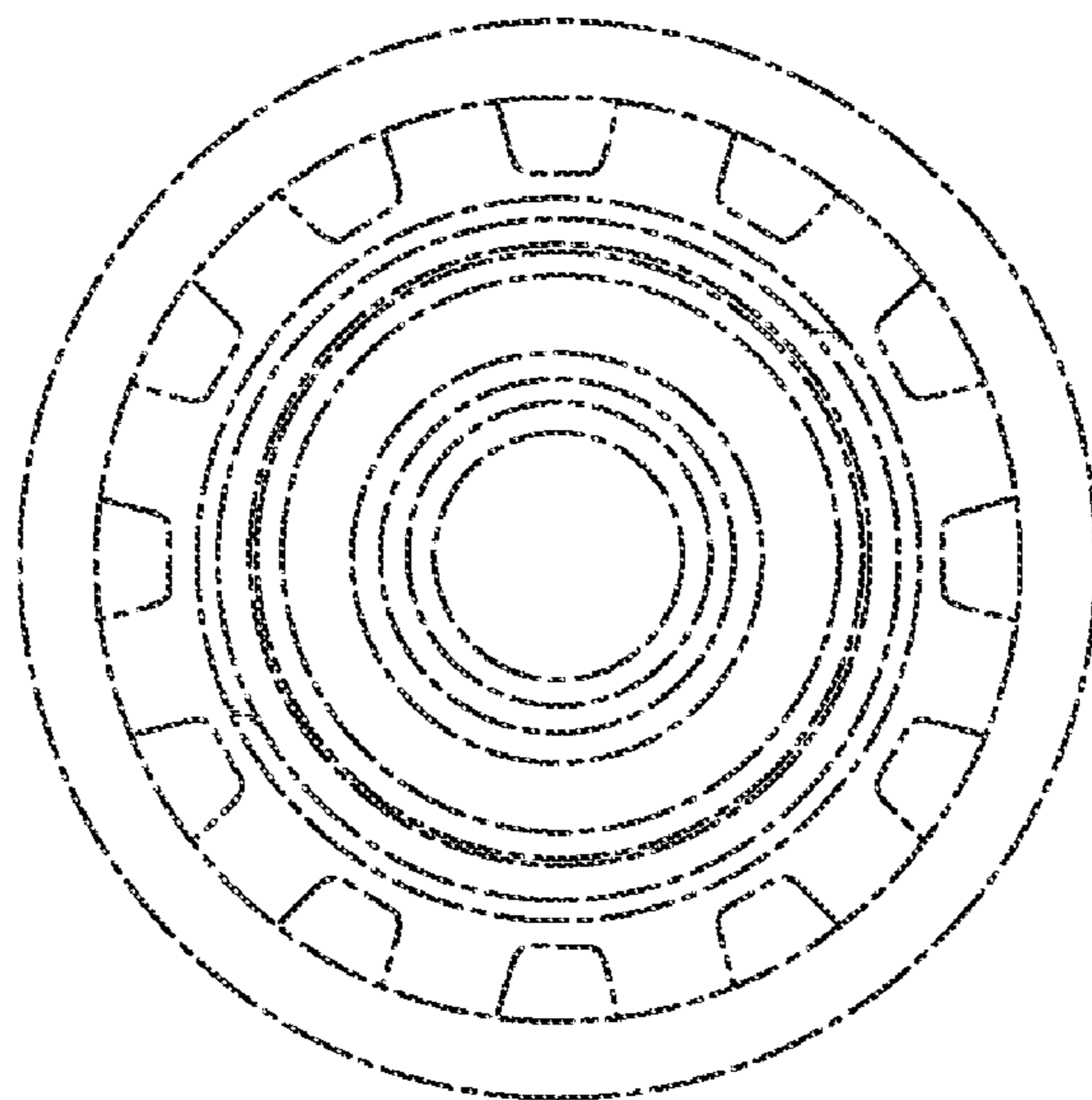


FIGURE 5

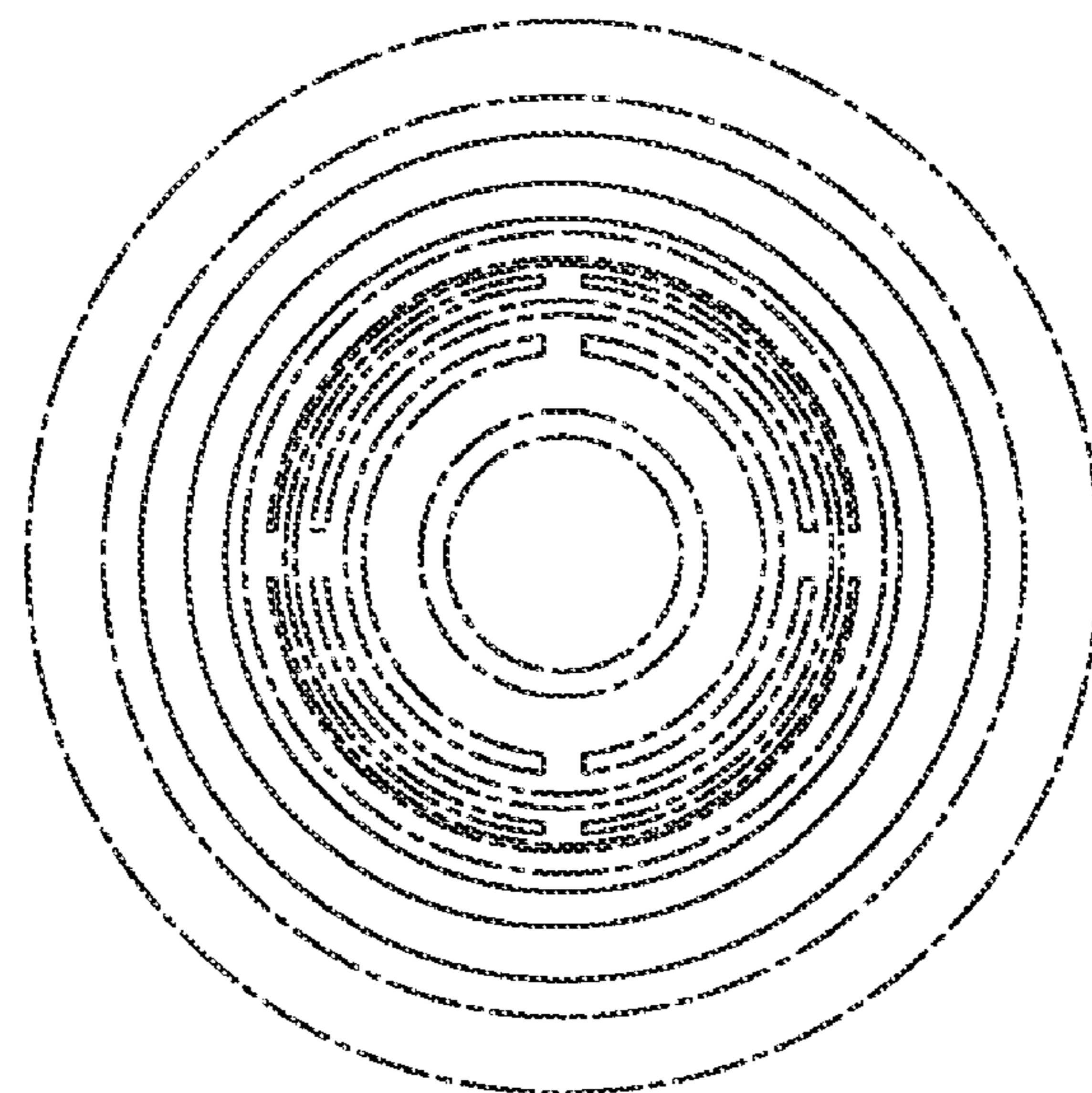


FIGURE 4