



US00D659647S

(12) **United States Design Patent**
Isaacks et al.

(10) **Patent No.:** **US D659,647 S**

(45) **Date of Patent:** **** May 15, 2012**

(54) **SECURE WALL CABLE BOX**

(75) Inventors: **Scott J. Isaacks**, Seattle, WA (US); **Sean Christopher McCloud**, Bothell, WA (US); **Joshua Ray Knott**, Burlington, WA (US)

(73) Assignee: **Dirtt Environmental Solutions, Ltd.**, Calgary (CA)

(**) Term: **14 Years**

(21) Appl. No.: **29/384,886**

(22) Filed: **Feb. 4, 2011**

(51) **LOC (9) Cl.** **13-03**

(52) **U.S. Cl.** **D13/156**

(58) **Field of Classification Search** D13/156,
D13/133, 139.4, 147, 152, 154, 155, 158,
D13/160, 162, 164, 184, 199; 174/50, 53,
174/54, 55, 57, 58, 60, 66, 67, 481, 488;
220/3.2, 3.3, 3.5, 3.8, 4.02, 4.28, 242, 244;
439/135, 136, 138, 142, 367, 373, 537, 541,
439/892, 893

See application file for complete search history.

(56) **References Cited**

U.S. PATENT DOCUMENTS

D260,878	S	*	9/1981	Dolinar et al.	D13/152
D354,736	S	*	1/1995	Hallett et al.	D13/156
5,907,127	A	*	5/1999	Daoud	174/57
D422,265	S	*	4/2000	Noble et al.	D13/152
D437,586	S	*	2/2001	Sonntag	D13/184
D450,666	S	*	11/2001	Scribner	D13/184

* cited by examiner

Primary Examiner — Derrick Holland

(74) *Attorney, Agent, or Firm* — Workman Nydegger

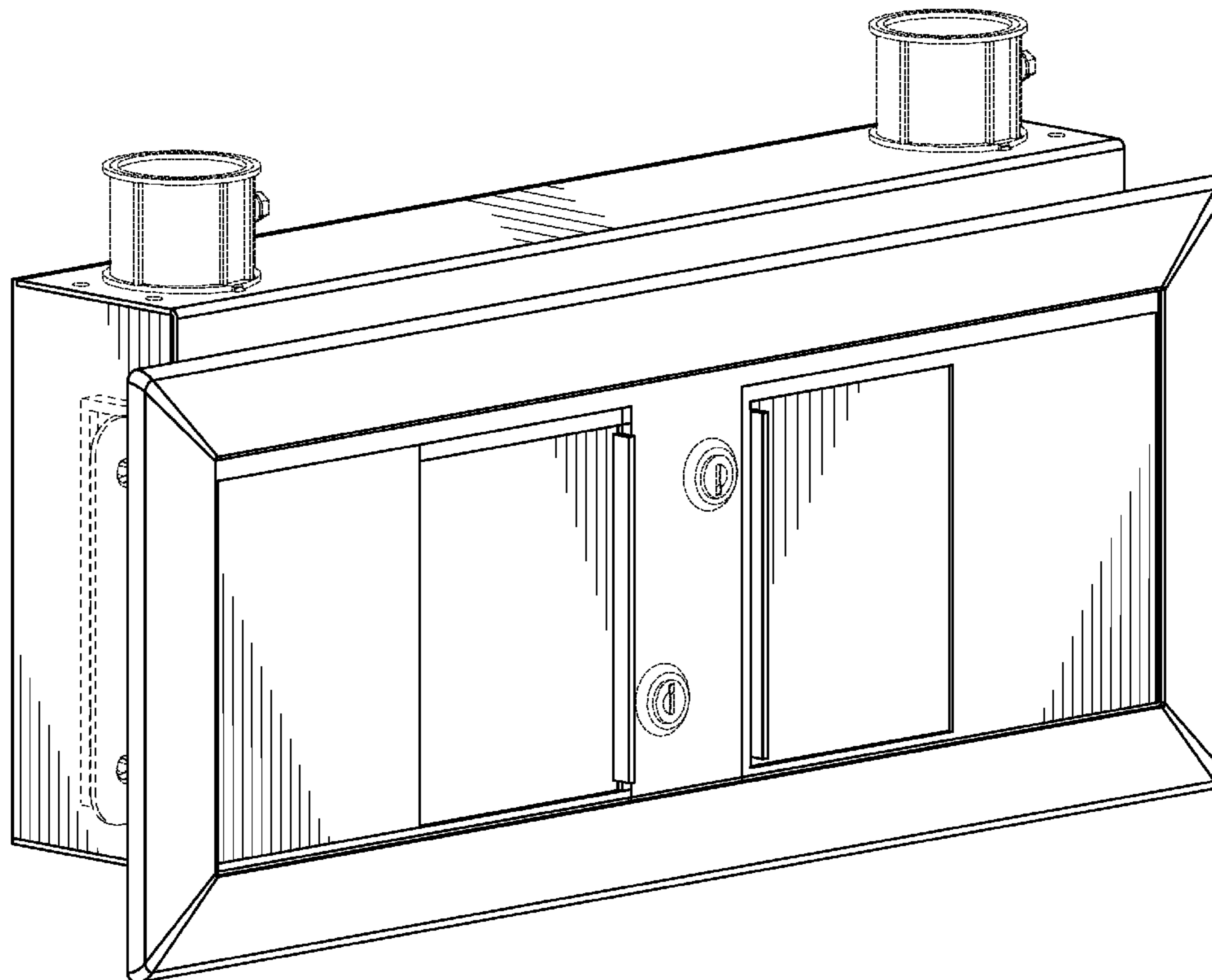
(57) **CLAIM**

The ornamental design for a secure wall cable box, as shown and described.

DESCRIPTION

FIG. 1 is a front perspective view of a secure wall cable box with access doors in a closed position; FIG. 2 is a front elevation view thereof; FIG. 3 is a left, side elevation view thereof; FIG. 4 is a right, side elevation view thereof; FIG. 5 is a back elevation view thereof; FIG. 6 is a top plan view thereof; FIG. 7 is a bottom plan view thereof; and, FIG. 8 is a front perspective view of a secure wall cable box with access doors in an opened position. The broken lines shown represent unclaimed subject matter and form no part of the claimed design.

1 Claim, 8 Drawing Sheets



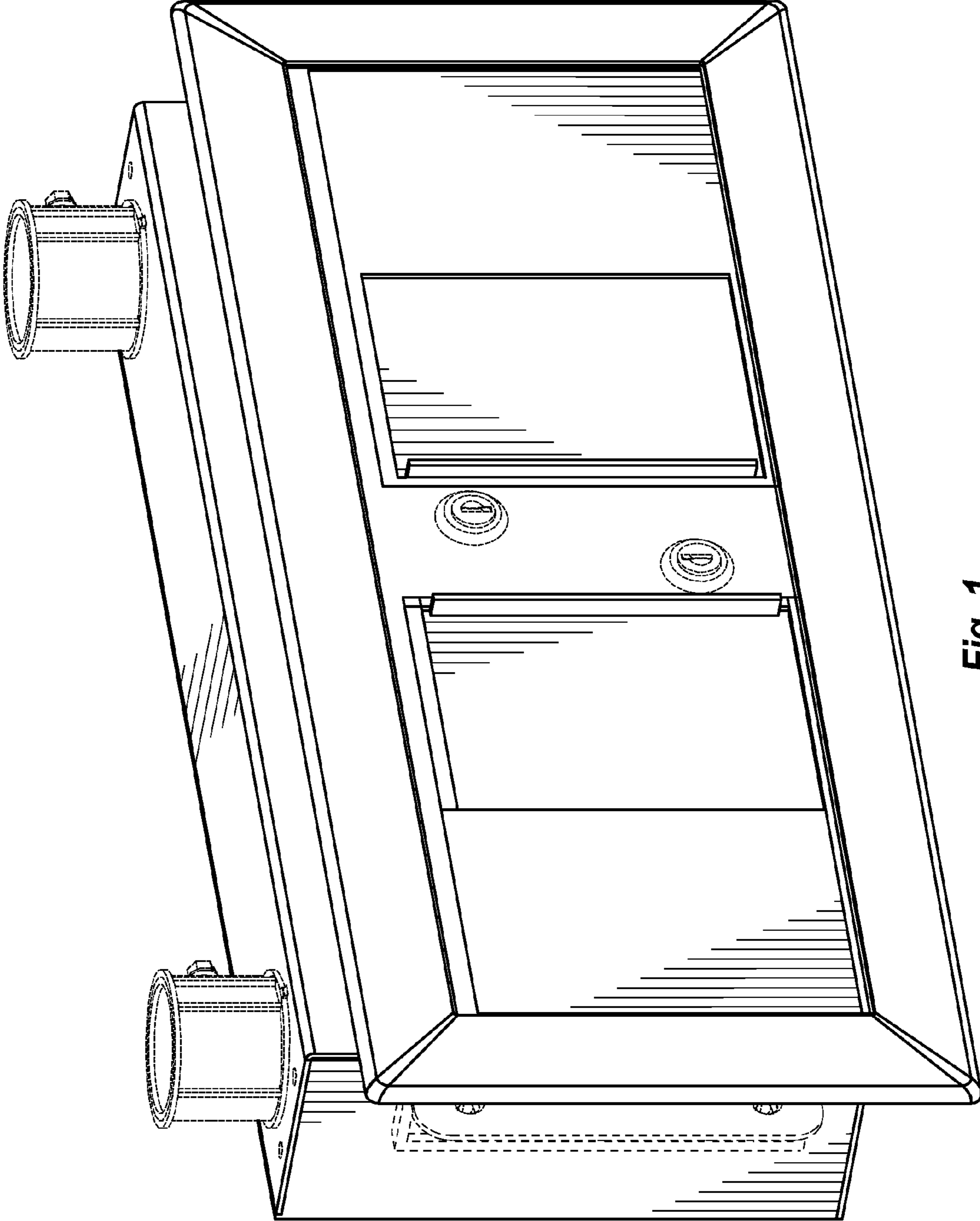


Fig. 1

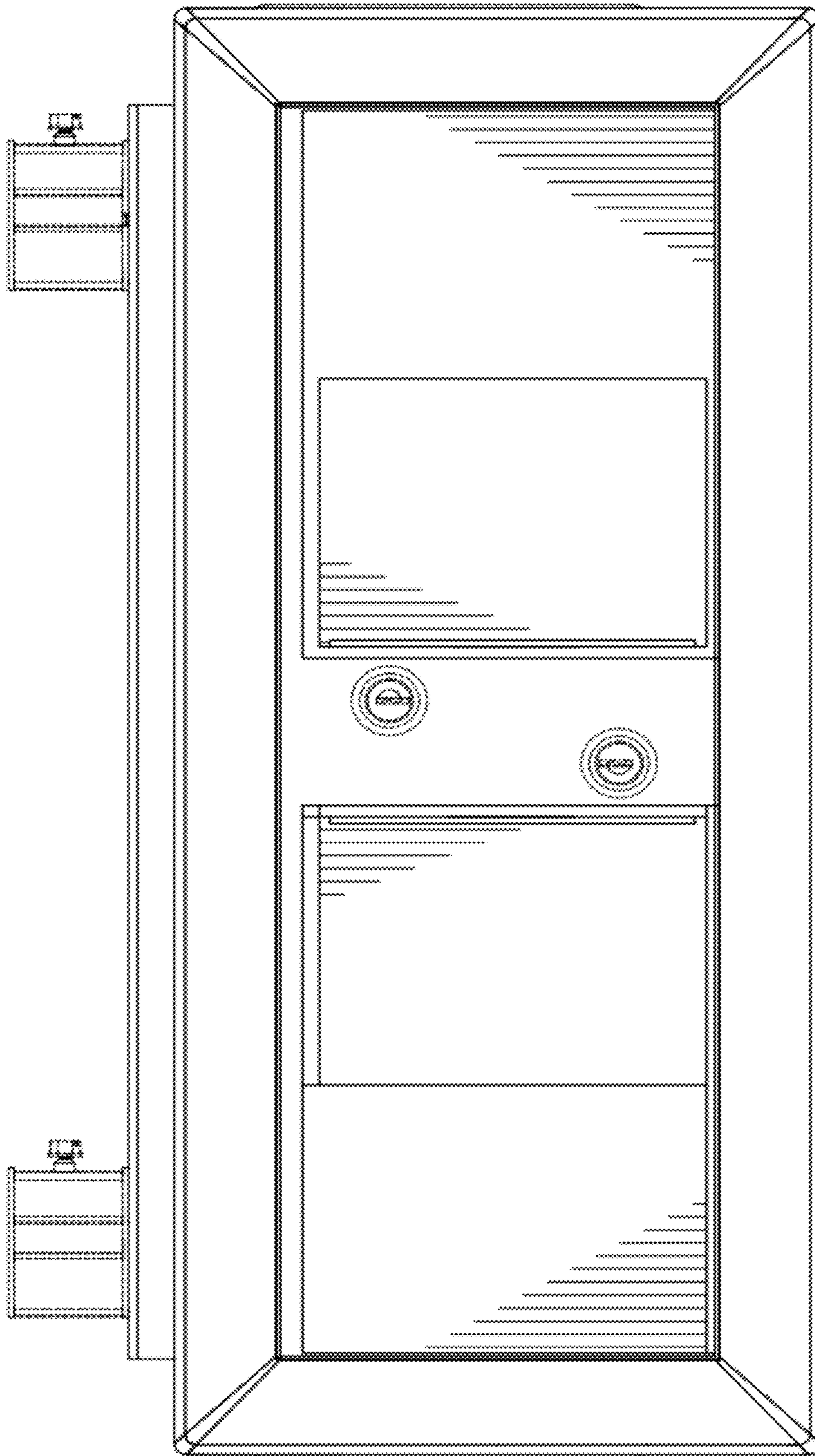


Fig. 2

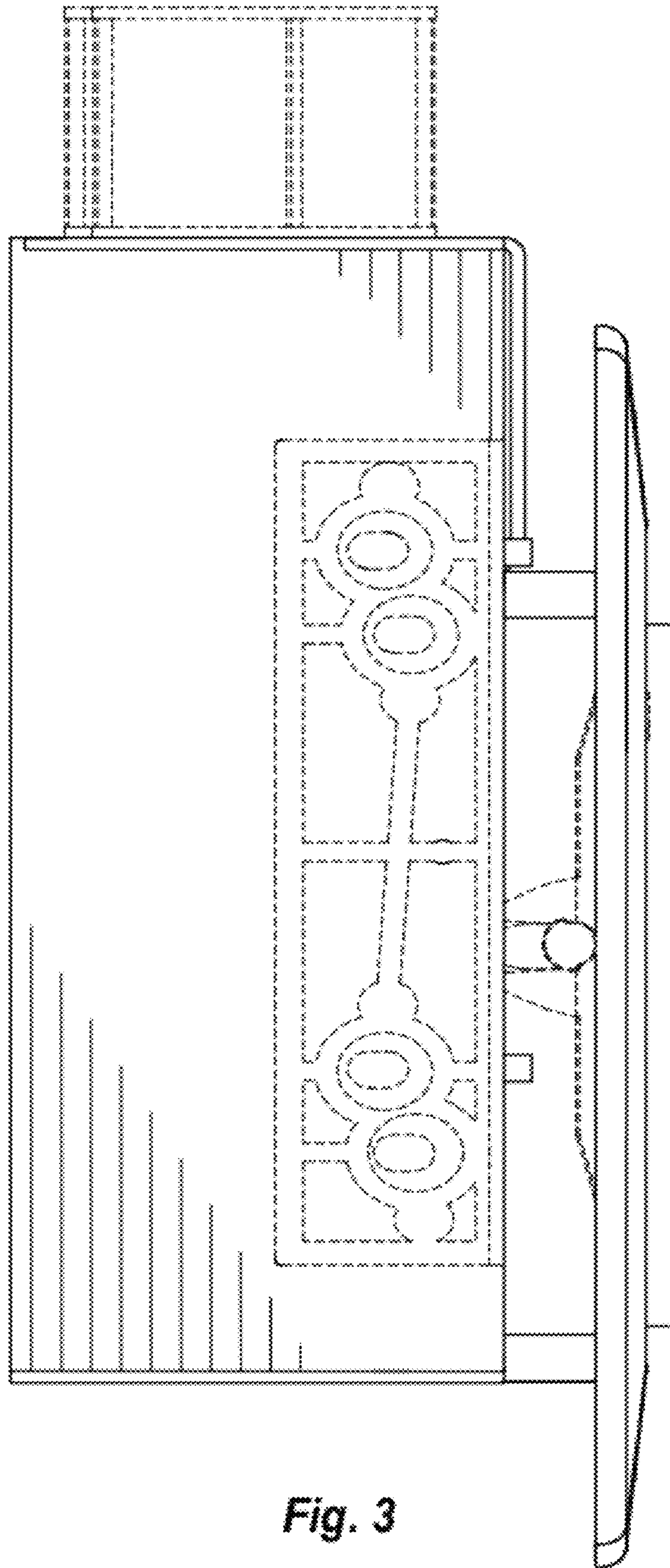


Fig. 3

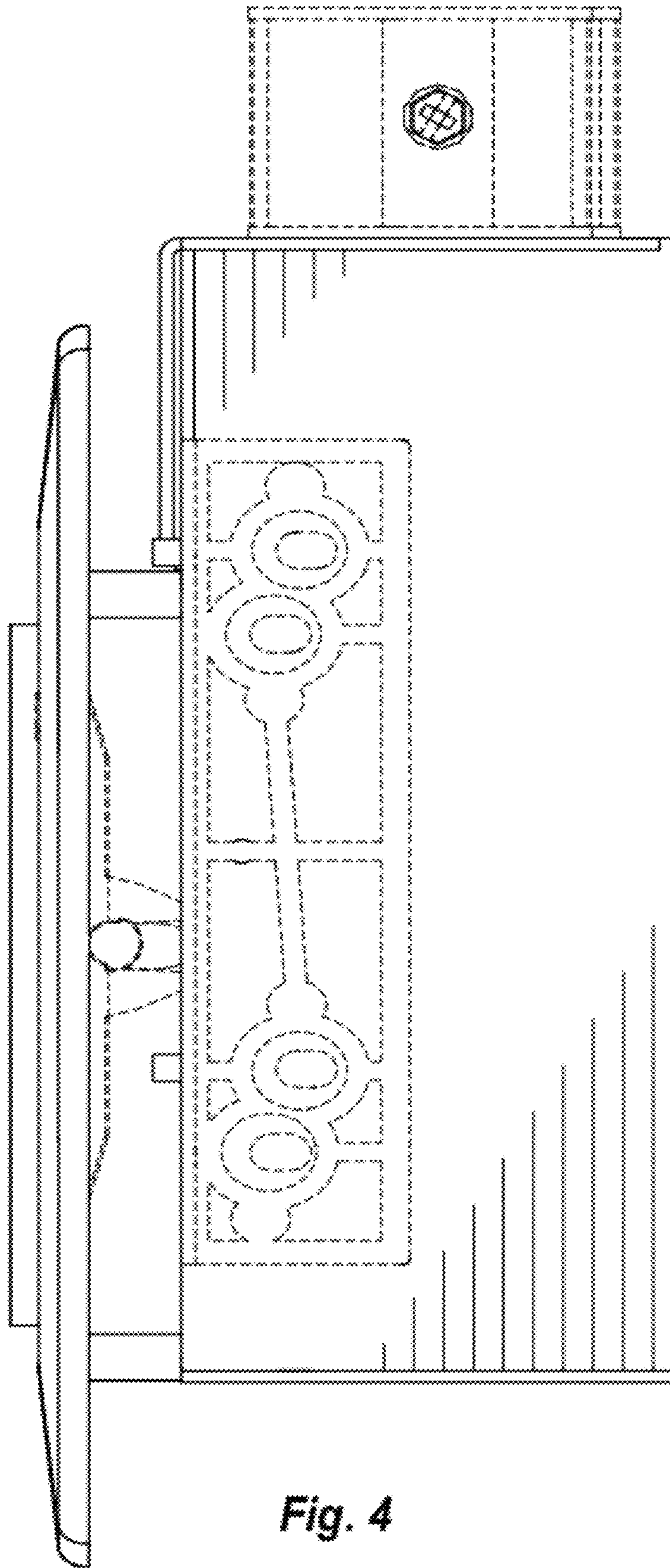


Fig. 4

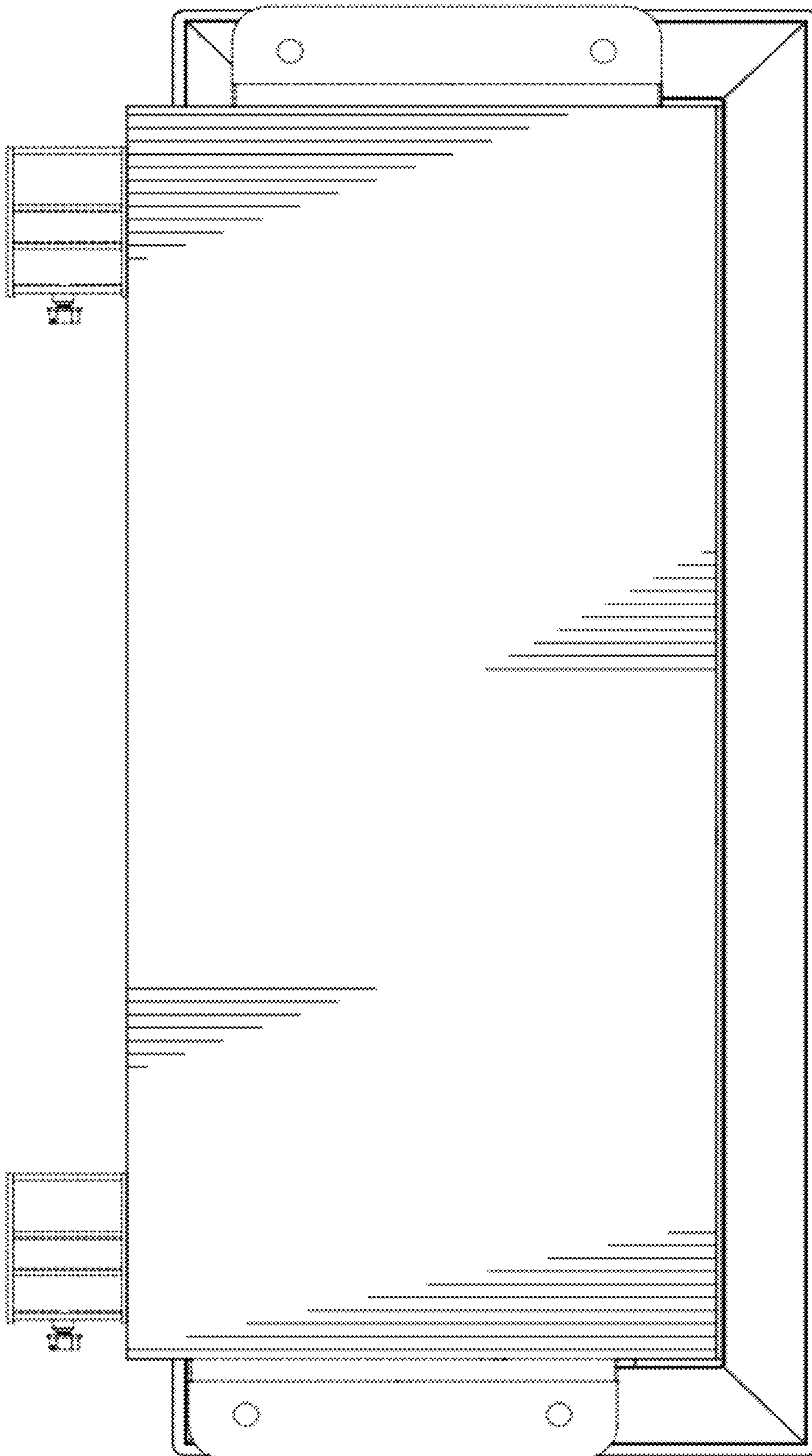


Fig. 5

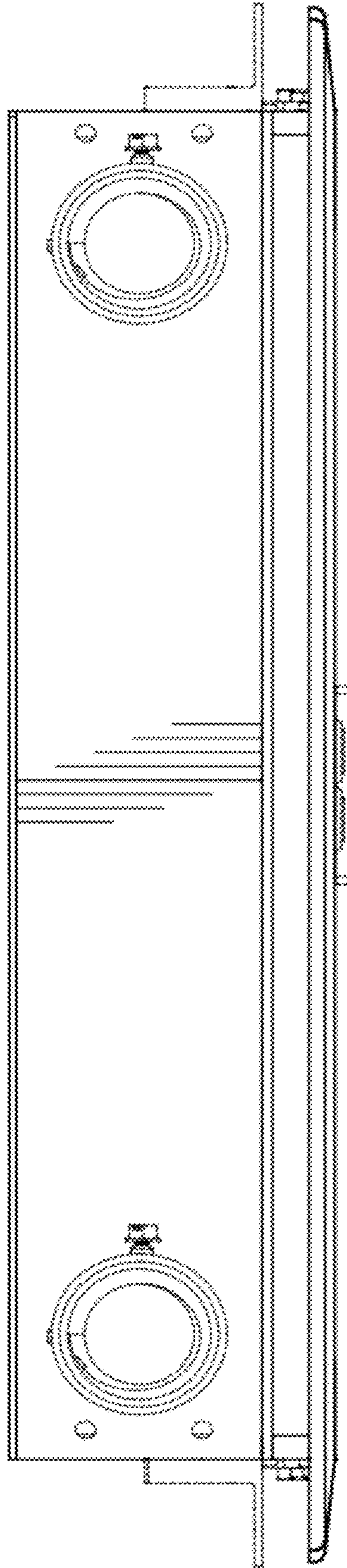


Fig. 6

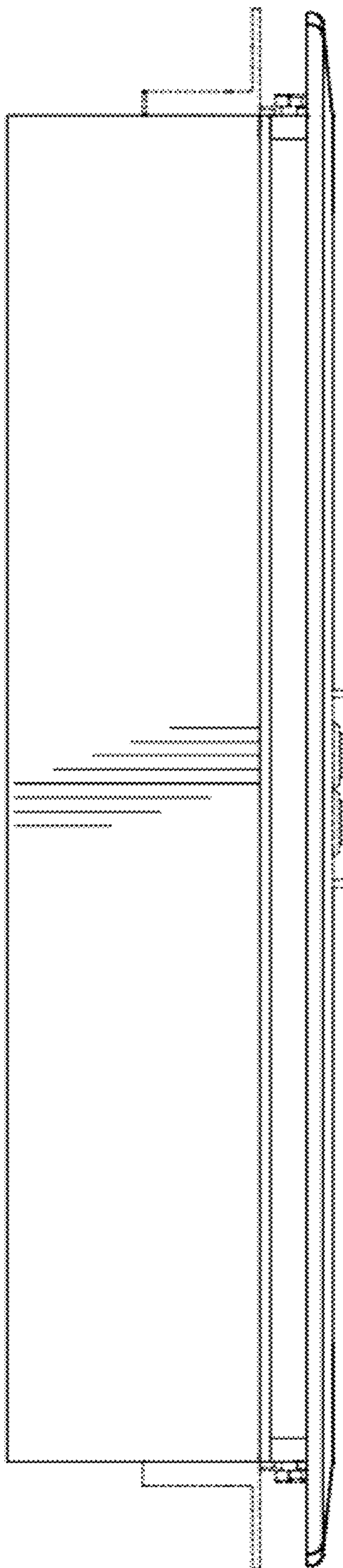


Fig. 7

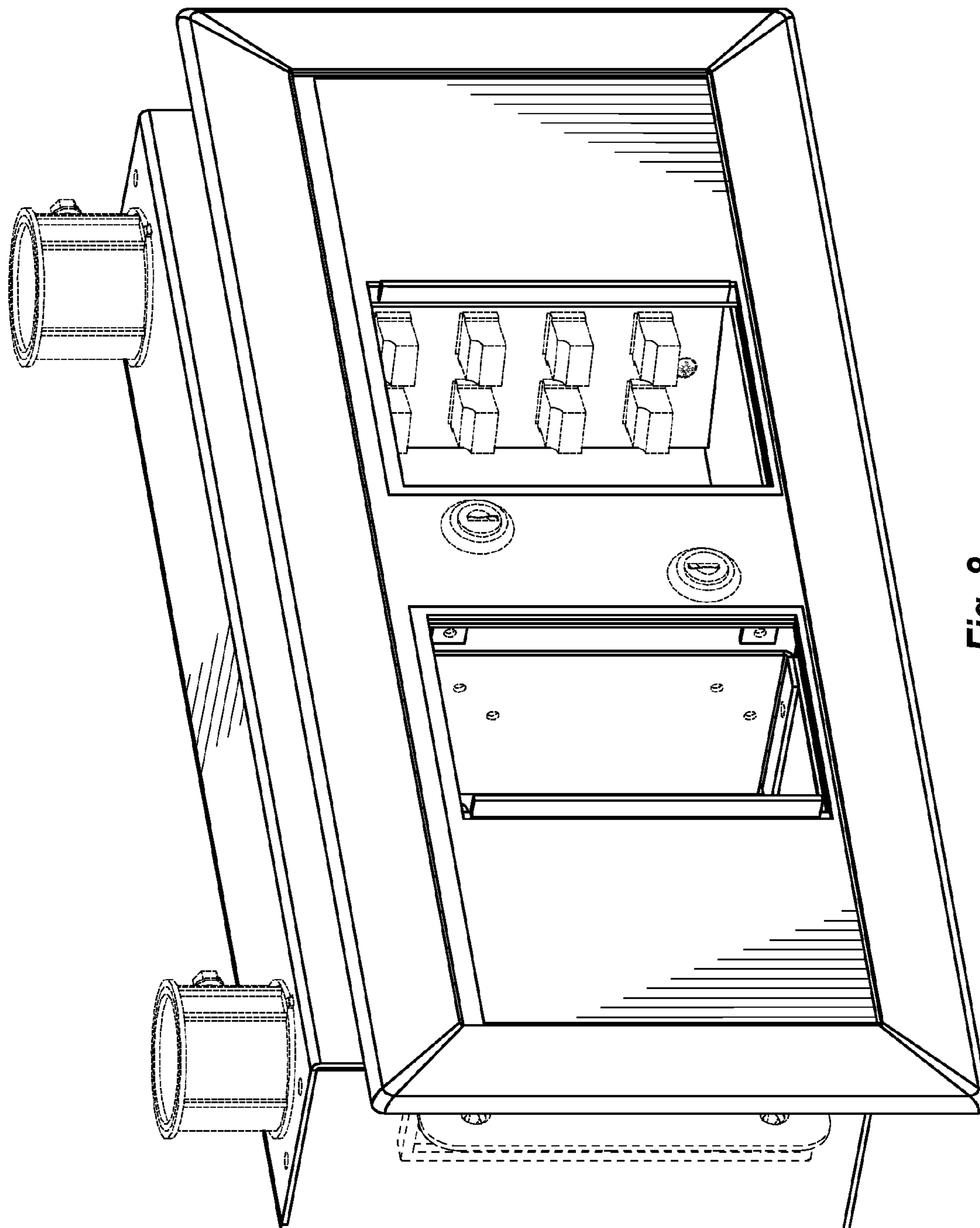


Fig. 8